



US00D806964S

(12) **United States Design Patent**  
**Nam et al.**

(10) **Patent No.:** **US D806,964 S**  
(45) **Date of Patent:** **\*\* Jan. 2, 2018**

(54) **SUCTION NOZZLE FOR VACUUM CLEANER**

9/2847; A47L 9/2852; A47L 5/28; A47L 7/0038; G06N 3/008; E04H 4/1654

See application file for complete search history.

(71) Applicant: **LG ELECTRONICS INC.**, Seoul (KR)

(56) **References Cited**

(72) Inventors: **Bohyun Nam**, Seoul (KR); **Namhee Kim**, Seoul (KR); **Hyeonjeong An**, Seoul (KR); **Sehwan Bae**, Seoul (KR)

U.S. PATENT DOCUMENTS

(73) Assignee: **LG ELECTRONICS INC.**, Seoul (KR)

D586,053	S	*	2/2009	Lee	.....	D32/32
D590,553	S	*	4/2009	Crevling, Jr.	.....	D32/32
D621,112	S	*	8/2010	Benacquisto	.....	D32/33
D670,454	S	*	11/2012	Sherk, Jr.	.....	D30/158
D688,431	S	*	8/2013	Luedke	.....	D32/32
D744,708	S	*	12/2015	Cheon	.....	D32/31
D780,392	S	*	2/2017	Mikula	.....	D32/32

(\*\*) Term: **15 Years**

\* cited by examiner

(21) Appl. No.: **35/501,279**

*Primary Examiner* — Michael A Pratt

(22) Filed: **Jan. 25, 2016**

(74) *Attorney, Agent, or Firm* — Birch, Stewart, Kolasch & Birch, LLP

(80) **Hague Agreement Data**

Int. Filing Date: **Jan. 25, 2016**

Int. Reg. No.: **DM/089213**

Int. Reg. Date: **Jan. 25, 2016**

Int. Reg. Pub. Date: **Jul. 29, 2016**

(57) **CLAIM**

The ornamental design for a suction nozzle for vacuum cleaner, as shown and described.

(30) **Foreign Application Priority Data**

Sep. 2, 2015 (KR) ..... 30-2015-0044371

(51) **LOC (11) Cl.** ..... **15-05**

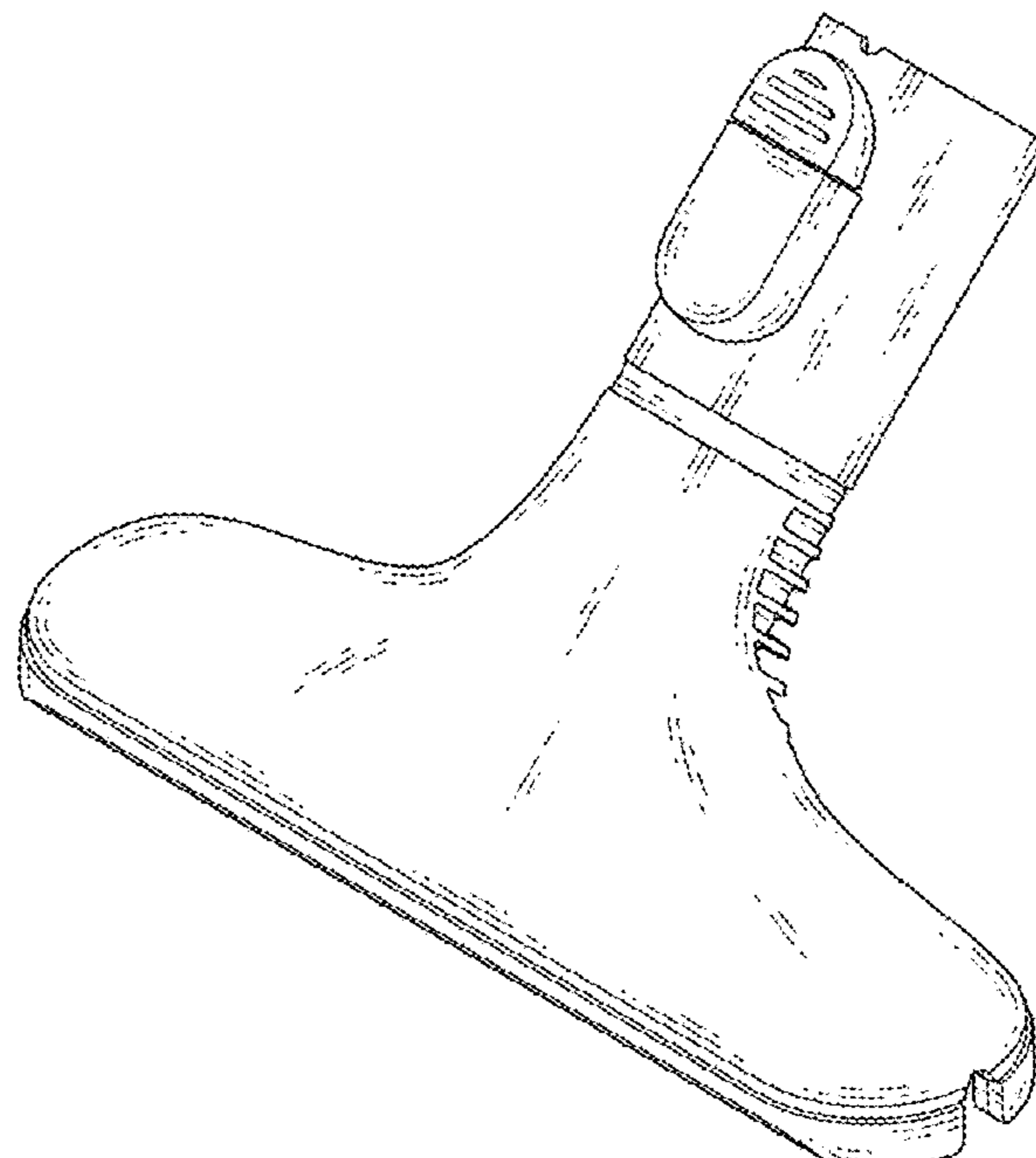
(52) **U.S. Cl.**  
USPC ..... **D32/23**

(58) **Field of Classification Search**  
USPC ..... D23/21, 22, 23, 25, 32, 33, 34; D32/21, D32/22, 23, 25, 32, 33, 34  
CPC . A47L 9/16; A47L 9/20; A47L 9/1683; A47L 9/1666; A47L 9/1608; A47L 9/2857; A47L 9/2842; A47L 9/2836; A47L

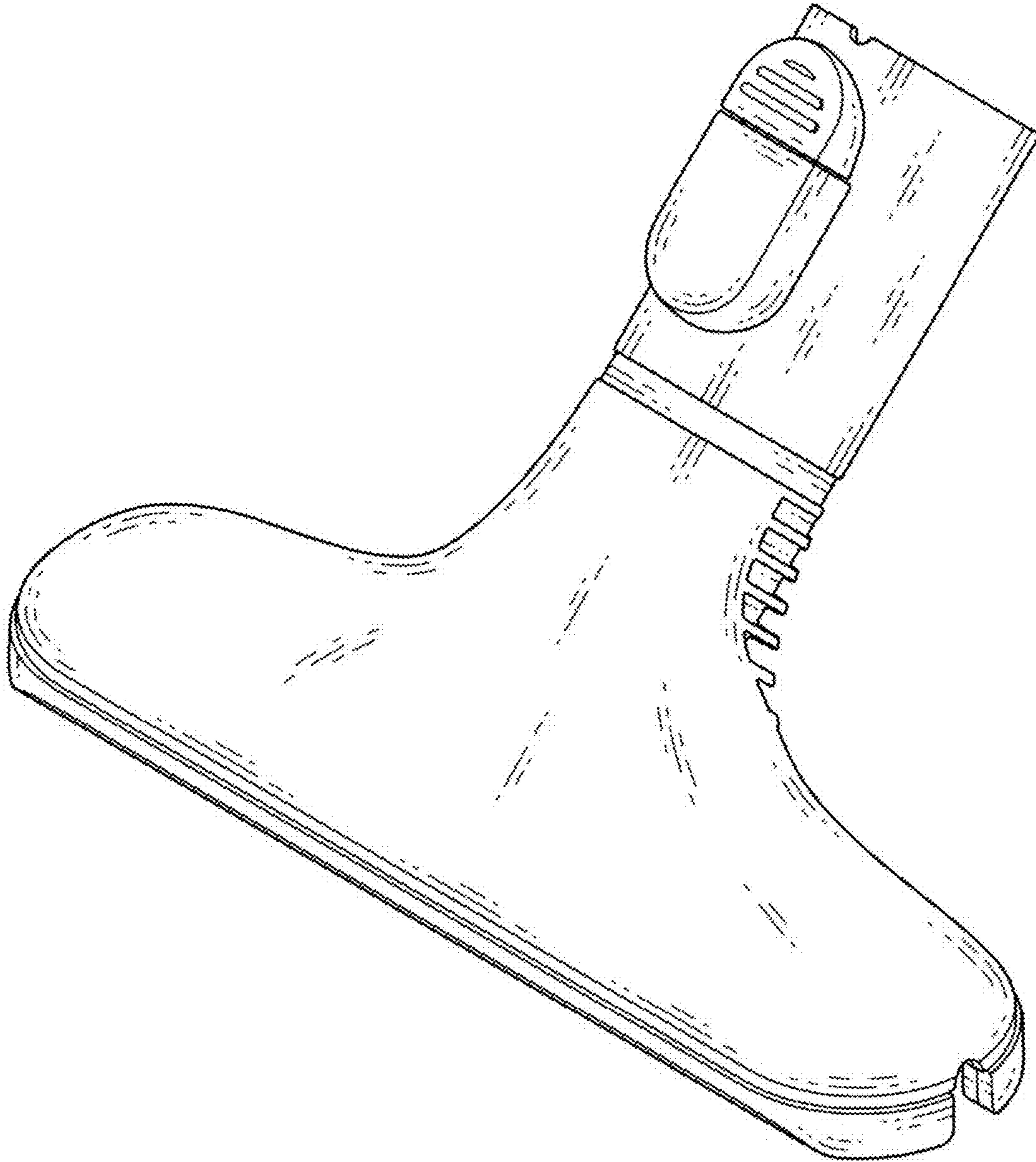
**DESCRIPTION**

1. Suction nozzle for vacuum cleaner
- 1.1 is a perspective view of a suction nozzle for vacuum cleaner showing our new design;
- 1.2 is a front elevation view thereof;
- 1.3 is a rear elevation view thereof;
- 1.4 is a left-side elevation view thereof;
- 1.5 is a right-side elevation view thereof;
- 1.6 is a top plan view thereof; and
- 1.7 is a bottom plan view thereof.

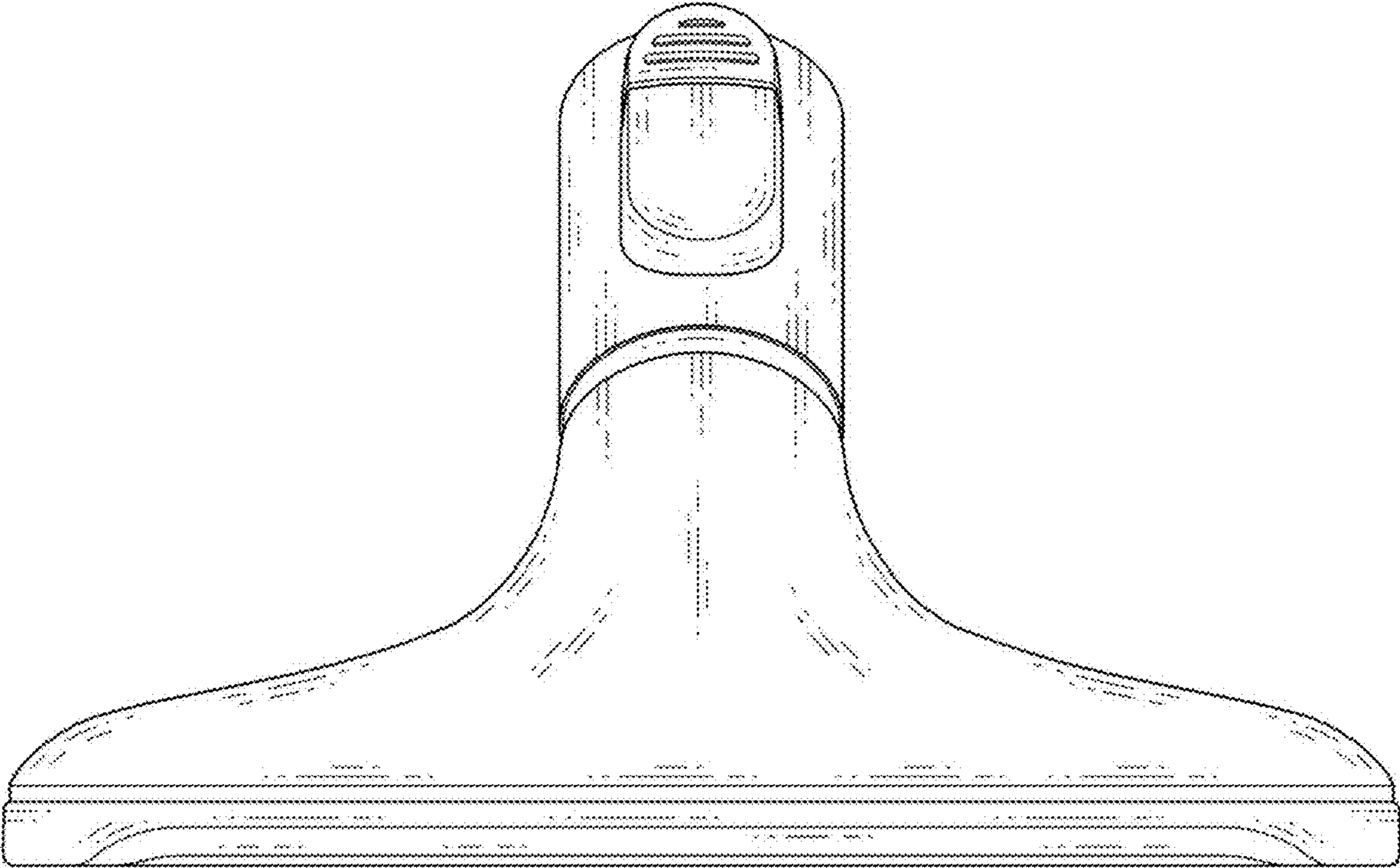
**1 Claim, 7 Drawing Sheets**



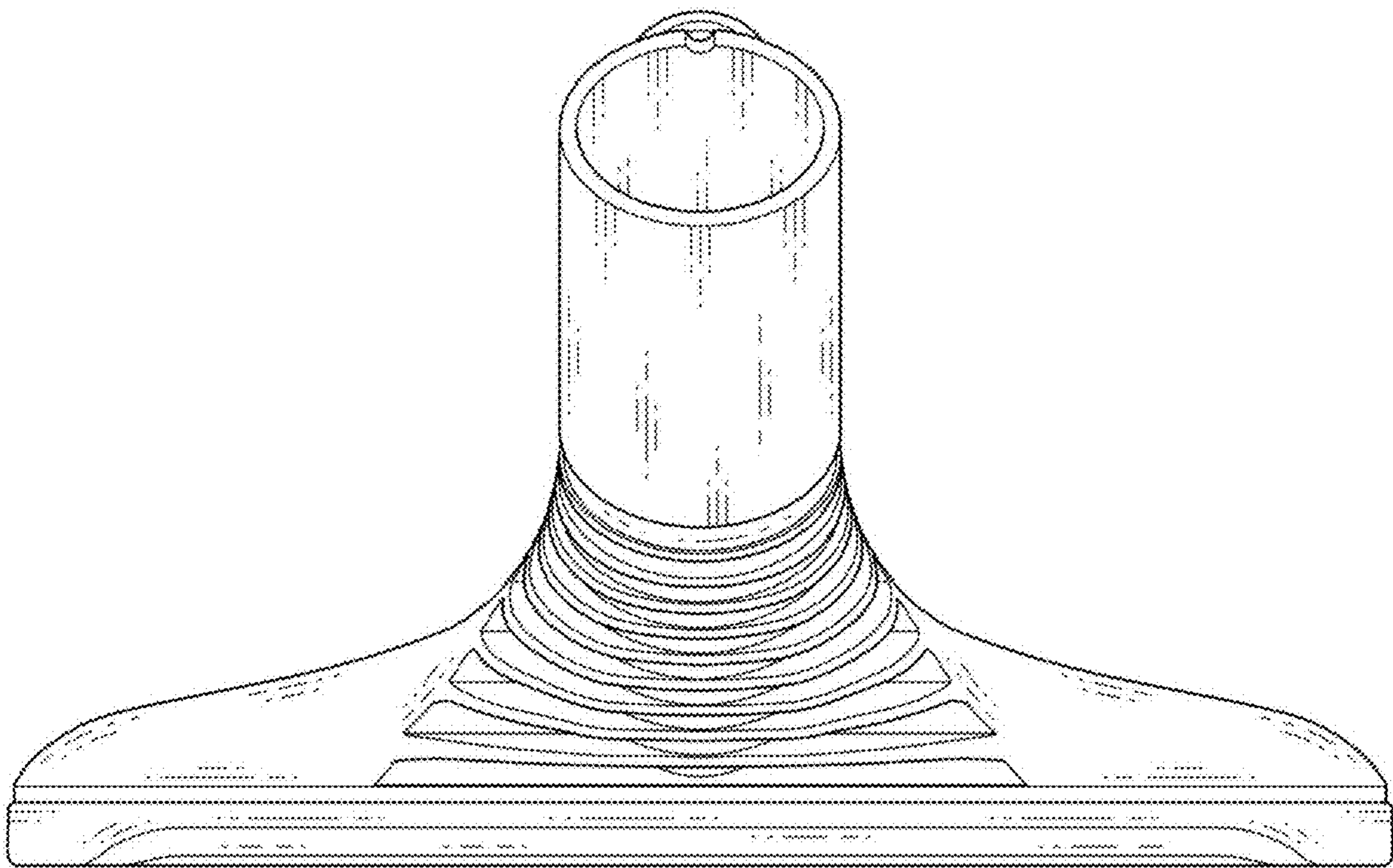
1.1



1.2

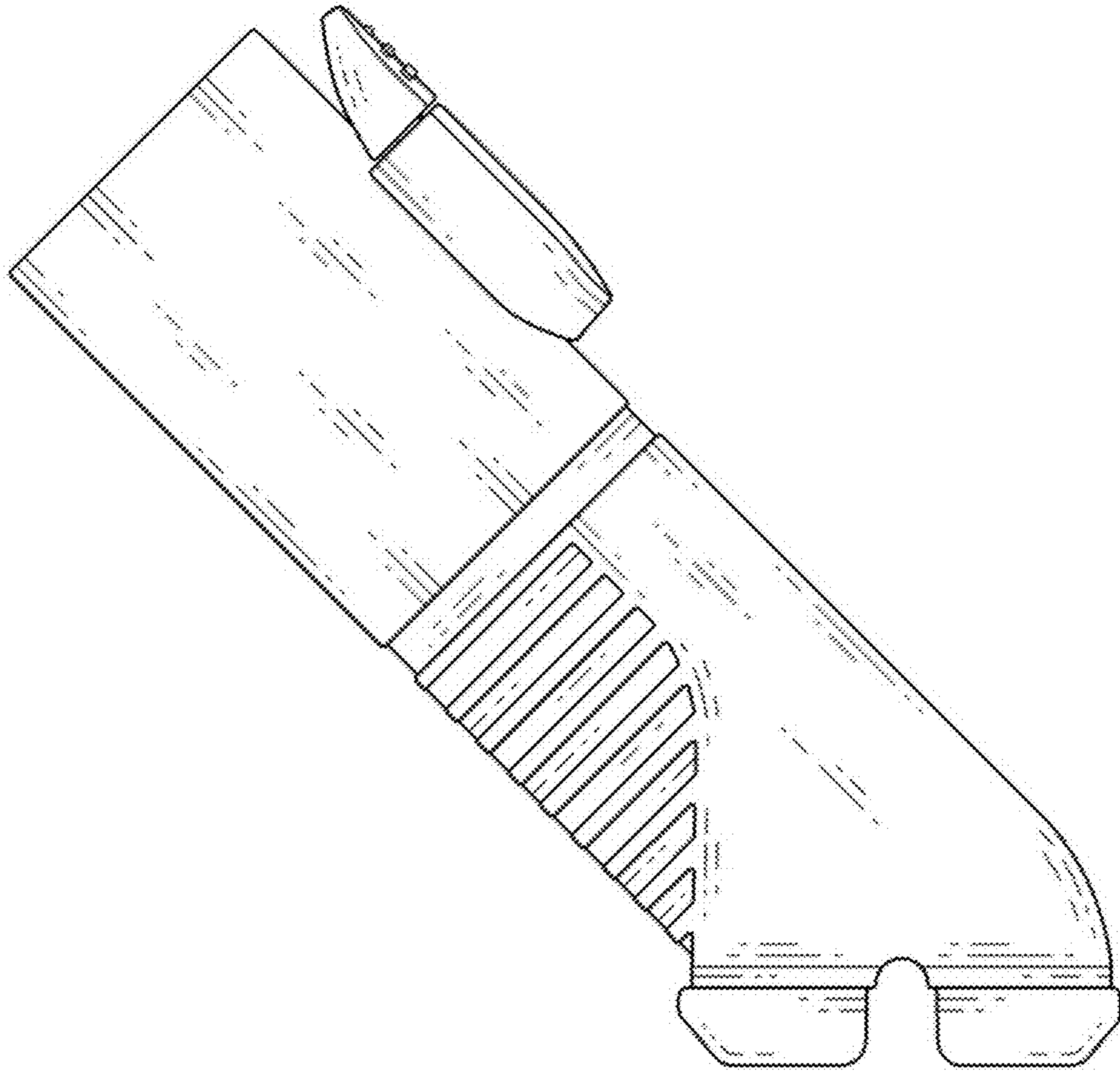


1.3

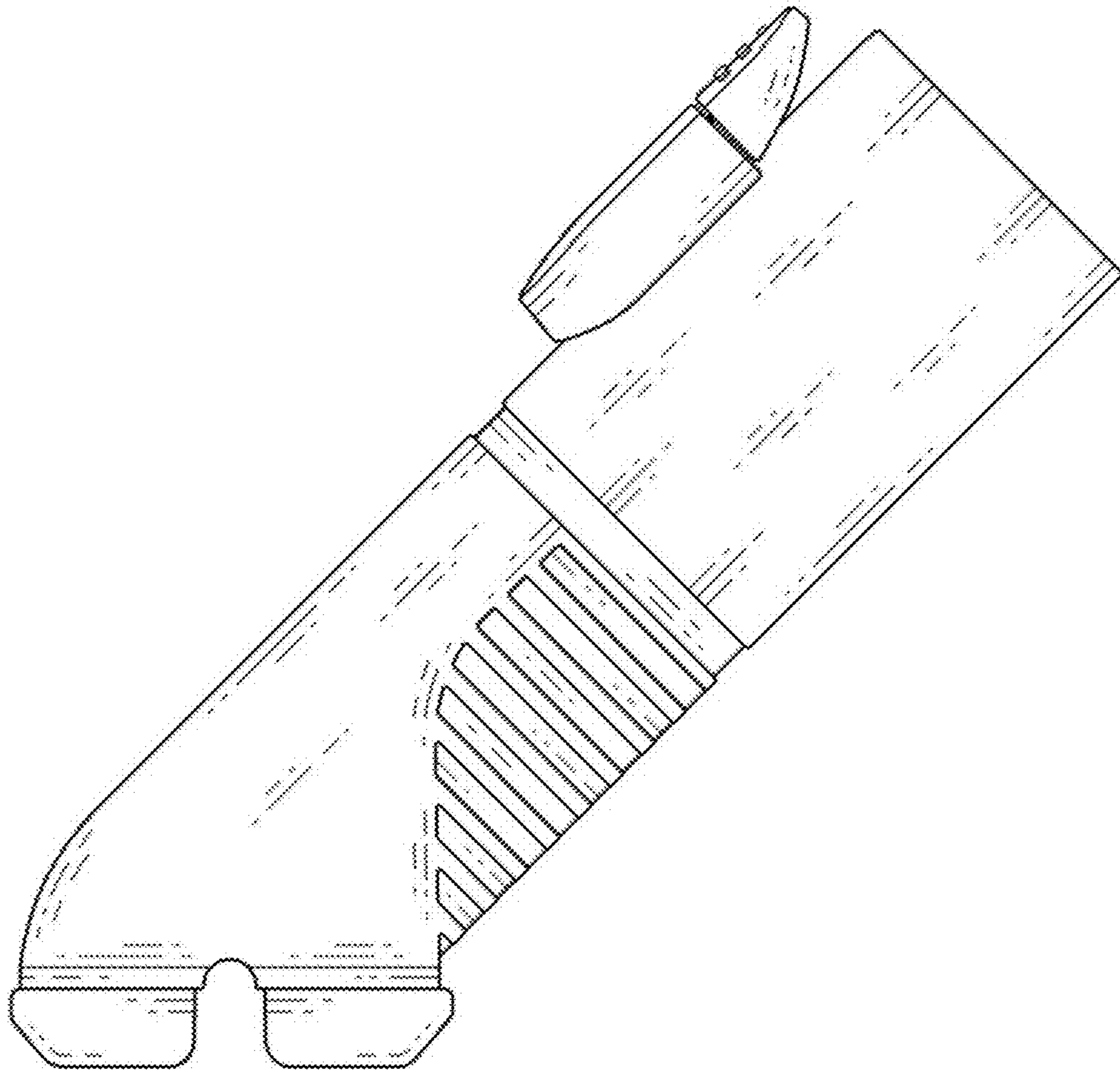




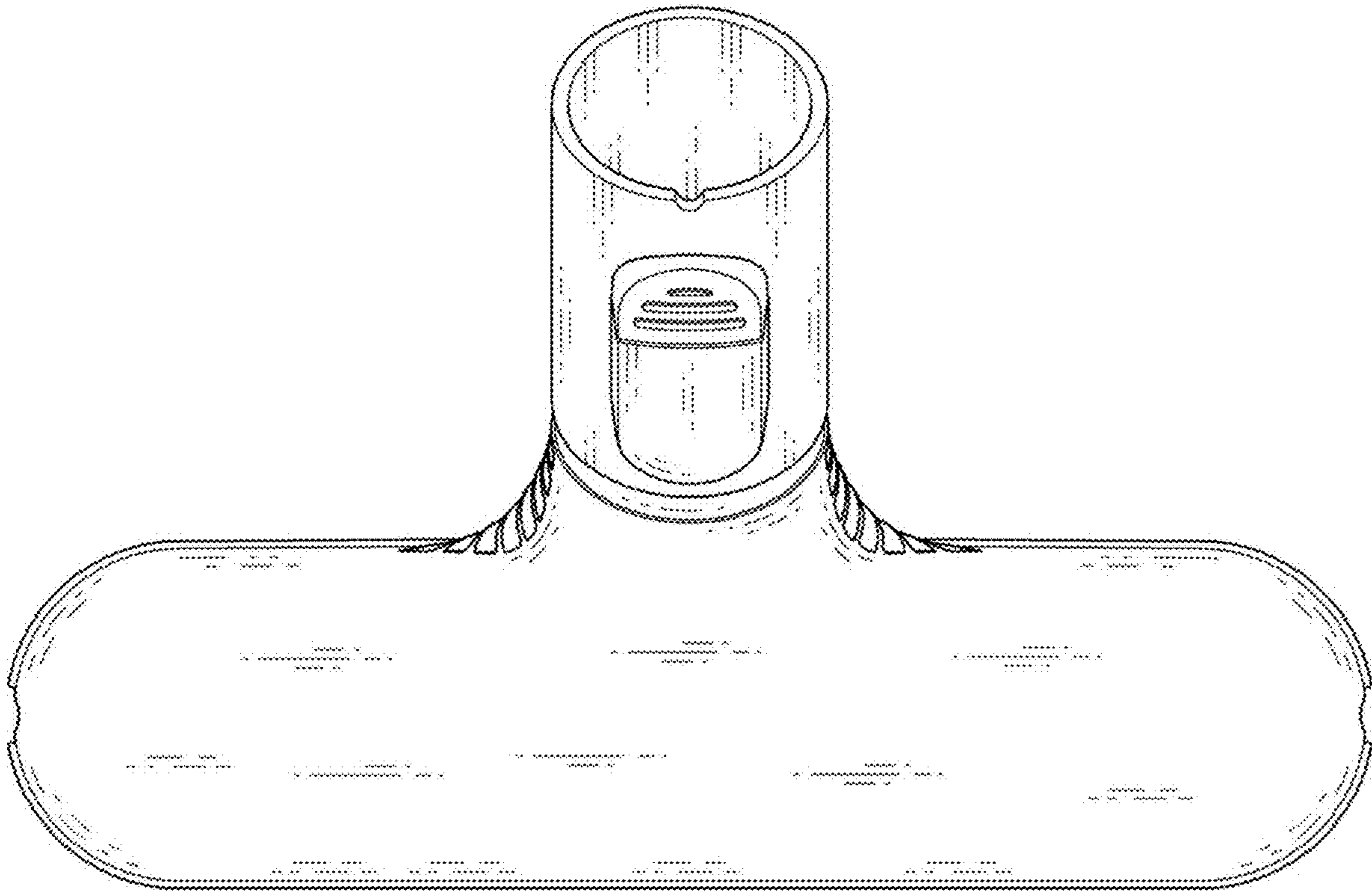
1.4



1.5



1.6



1.7

