



US00D806962S

(12) **United States Design Patent** (10) **Patent No.:** **US D806,962 S**
Yoo et al. (45) **Date of Patent:** **** Jan. 2, 2018**

(54) **VACUUM CLEANER**

(56) **References Cited**

(71) Applicant: **LG ELECTRONICS INC.**, Seoul (KR)

U.S. PATENT DOCUMENTS

(72) Inventors: **Joonggil Yoo**, Seoul (KR); **Eugene Suh**, Seoul (KR)

D347,500	S	*	5/1994	Abe	D32/22
D387,518	S	*	12/1997	Medema	D32/22
D398,098	S	*	9/1998	Mehaffey	D32/22
D403,482	S	*	12/1998	Essex	D32/22
6,145,159	A	*	11/2000	Zahuranec	A47L 5/32
						15/320
D453,404	S	*	2/2002	Farone	D32/34
D480,851	S	*	10/2003	Stephens	D32/34
D558,413	S	*	12/2007	Carr	D32/31
D622,919	S	*	8/2010	Wertz	D32/32
8,020,251	B2	*	9/2011	Luebbering	A47L 5/30
						15/410
D730,000	S	*	5/2015	Cheon	D32/22
D732,253	S	*	6/2015	Cheon	D32/22
D770,709	S	*	11/2016	Ogg	D32/22

(73) Assignee: **LG ELECTRONICS INC.**, Seoul (KR)

(**) Term: **15 Years**

(21) Appl. No.: **35/501,238**

(22) Filed: **Jan. 18, 2016**

(80) **Hague Agreement Data**

Int. Filing Date: **Jan. 18, 2016**
Int. Reg. No.: **DM/089525**
Int. Reg. Date: **Jan. 18, 2016**
Int. Reg. Pub. Date: **Jul. 22, 2016**

* cited by examiner

Primary Examiner — Michael A Pratt
(74) *Attorney, Agent, or Firm* — Birch, Stewart, Kolasch & Birch, LLP

(30) **Foreign Application Priority Data**

Aug. 12, 2015 (KR) 30-2015-0040756

(51) **LOC (11) Cl.** **15-05**

(52) **U.S. Cl.**
USPC **D32/23**

(58) **Field of Classification Search**

USPC D23/21, 22, 23, 25, 32, 33, 34; D32/21, D32/22, 23, 25, 32, 33, 34
CPC . A47L 9/16; A47L 9/20; A47L 9/1683; A47L 9/1666; A47L 9/1608; A47L 9/2857; A47L 9/2842; A47L 9/2836; A47L 9/2847; A47L 9/2852; A47L 5/28; A47L 7/0038; G06N 3/008; E04H 4/1654

See application file for complete search history.

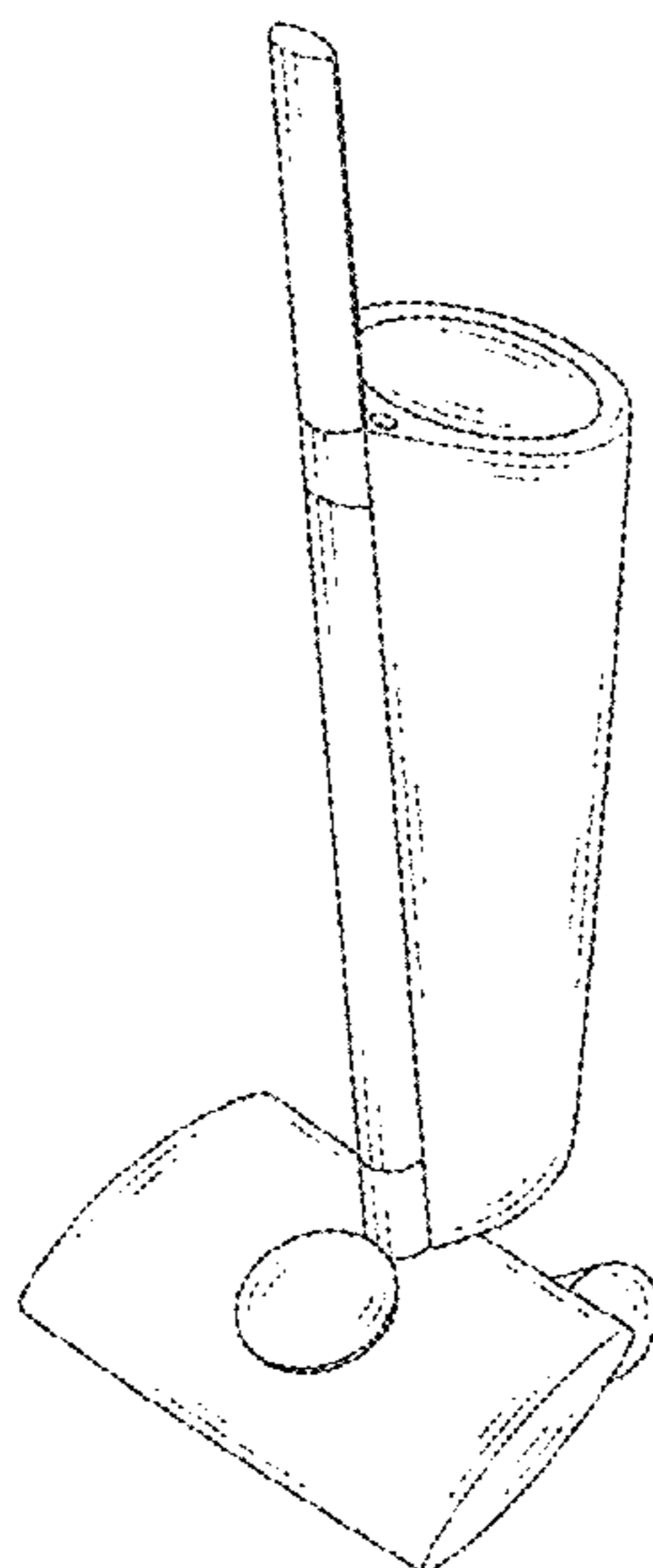
(57) **CLAIM**

The ornamental design for a vacuum cleaner, as shown and described.

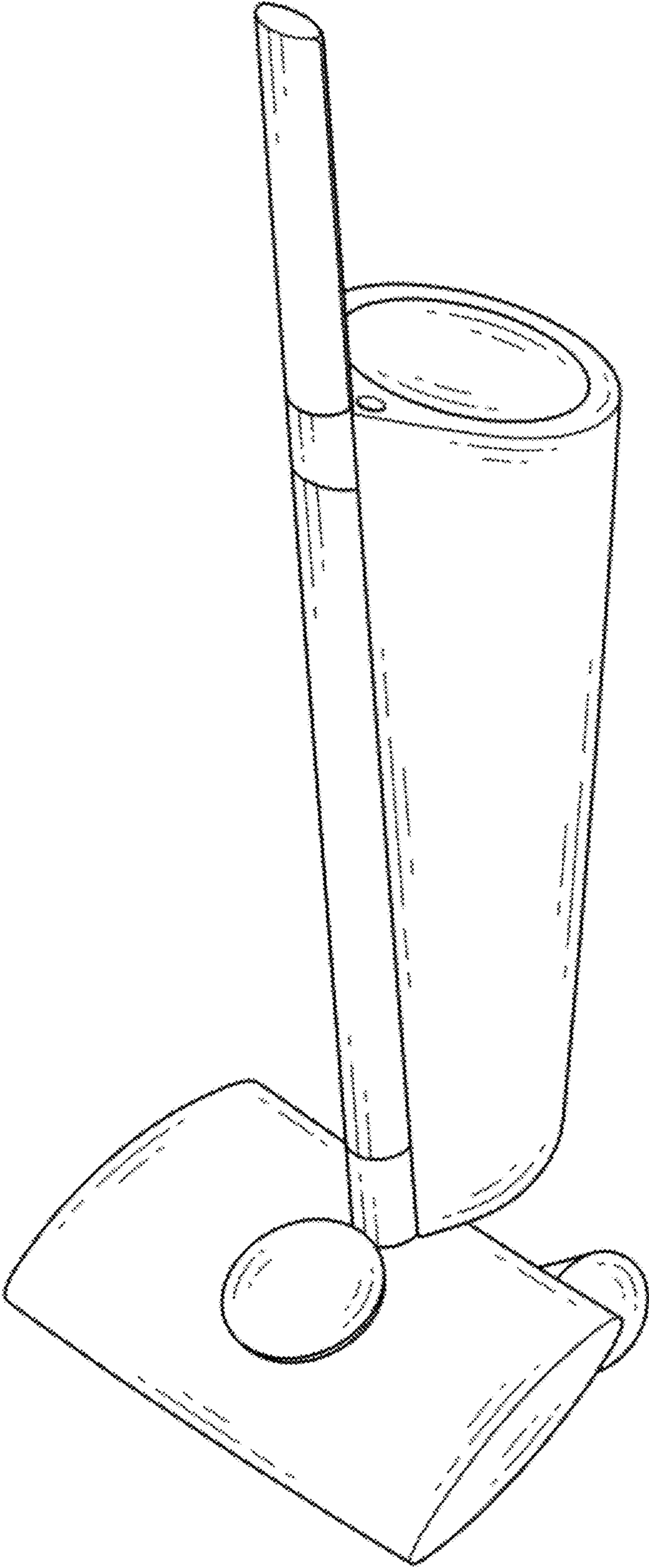
DESCRIPTION

1. Vacuum cleaner
- 1.1 is a perspective view of a vacuum cleaner showing our new design;
- 1.2 is a front elevation view thereof;
- 1.3 is a rear elevation view thereof;
- 1.4 is a left-side elevation view thereof;
- 1.5 is a right-side elevation view thereof;
- 1.6 is a top plan view thereof;
- 1.7 is a bottom plan view thereof; and
- 1.8 is a perspective view thereof in a use condition.

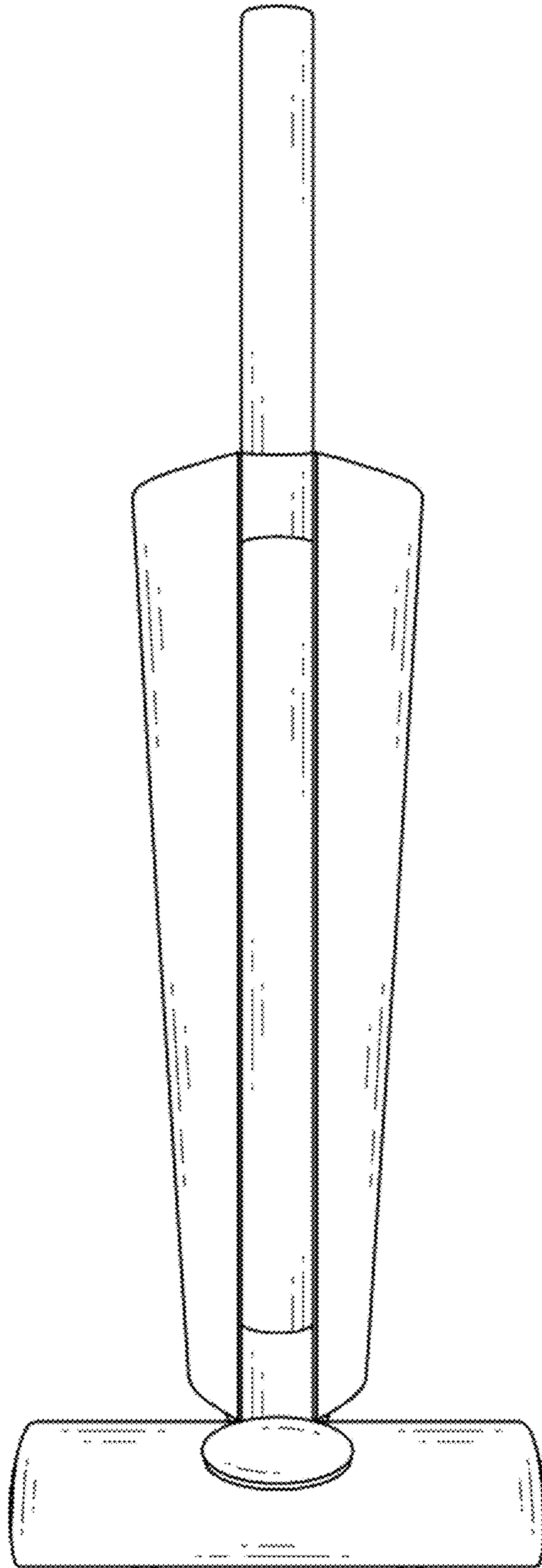
1 Claim, 8 Drawing Sheets



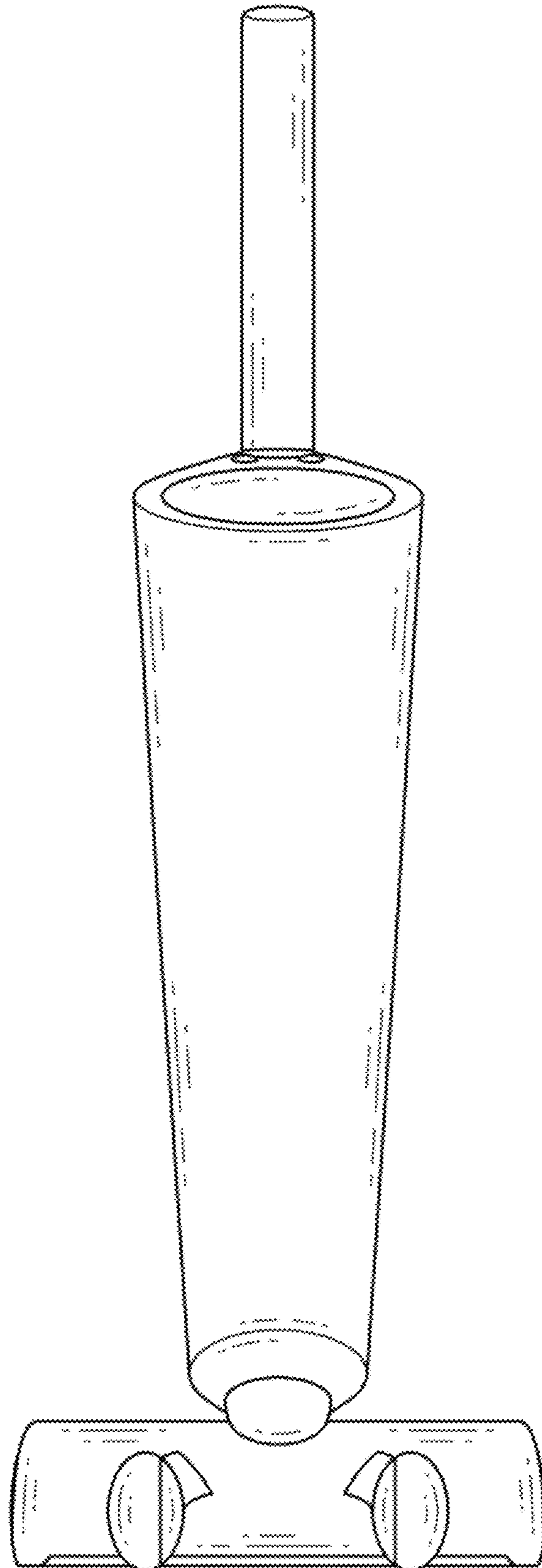
1.1



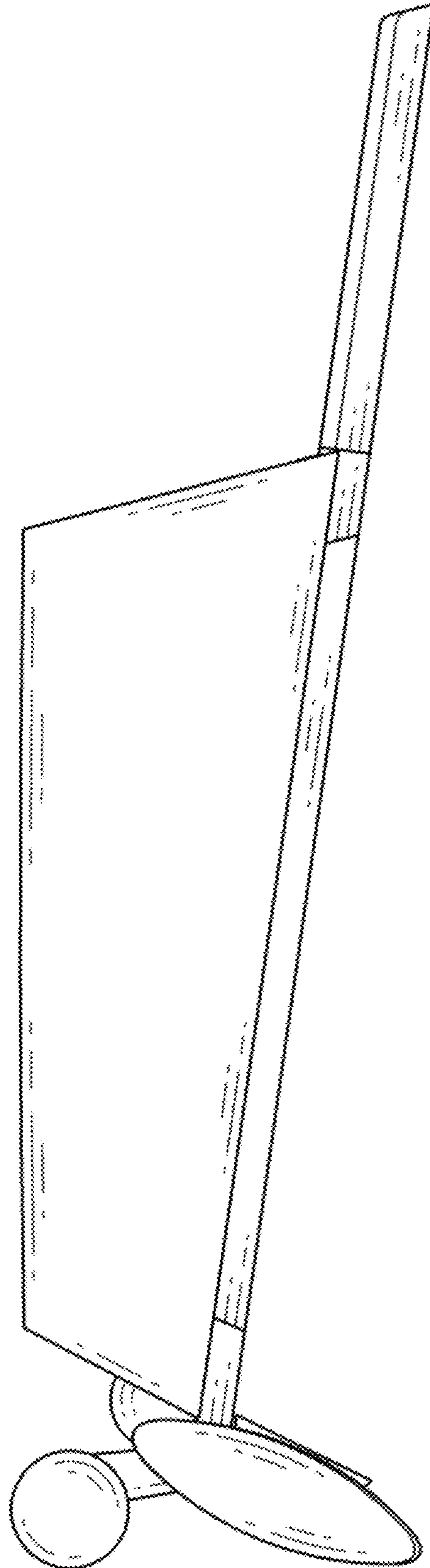
1.2



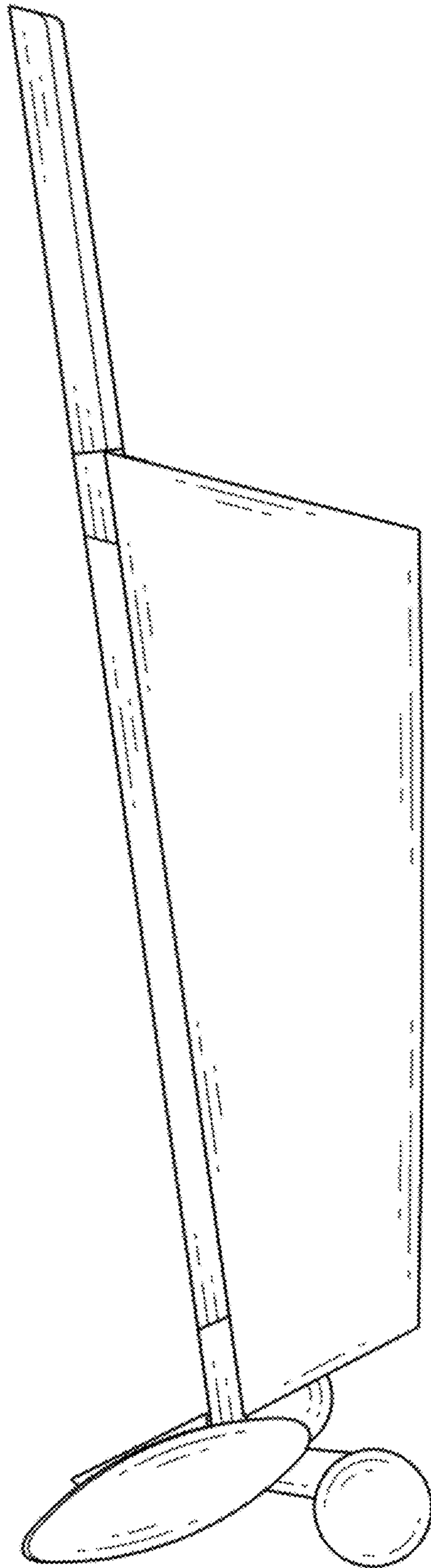
1.3



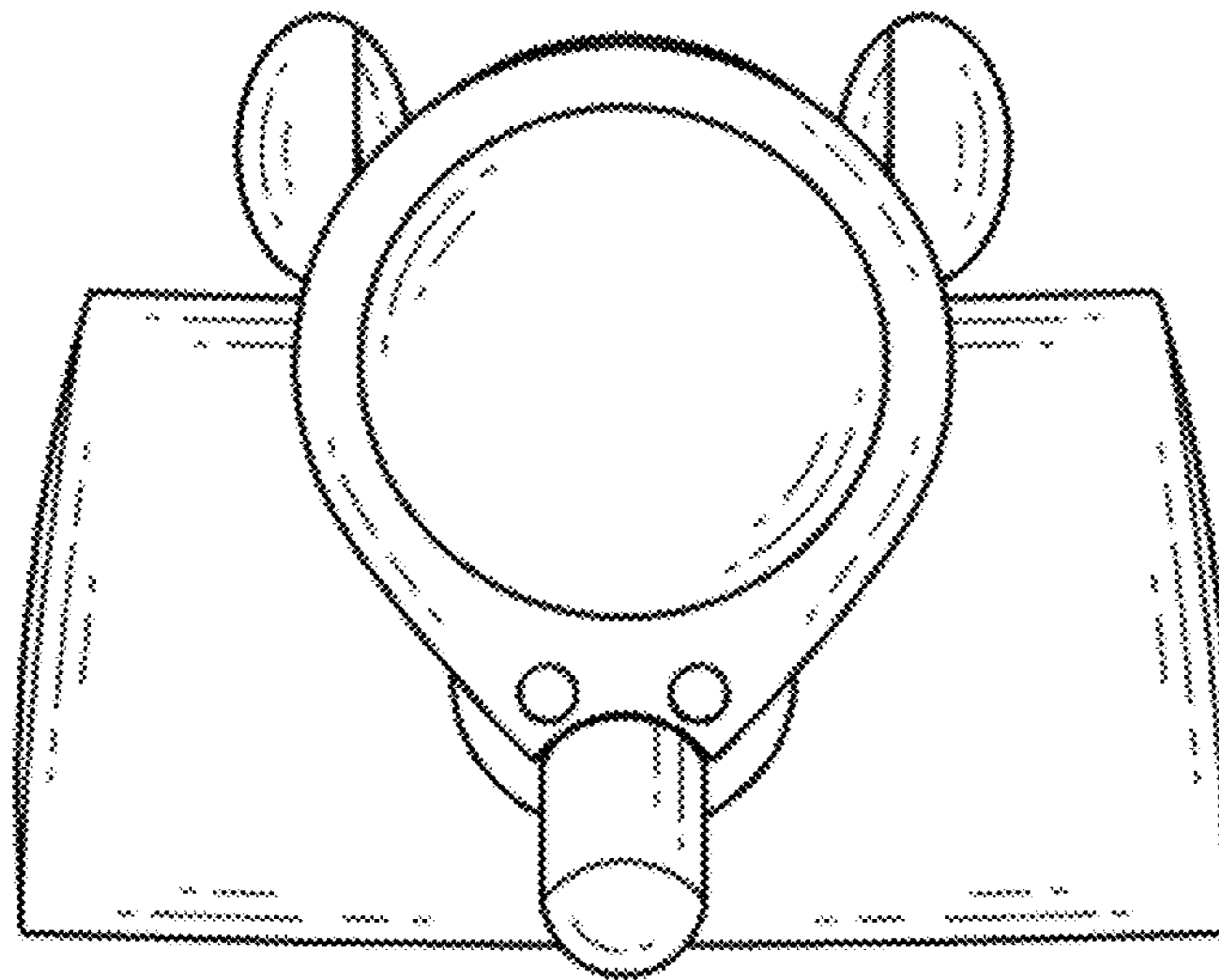
1.4



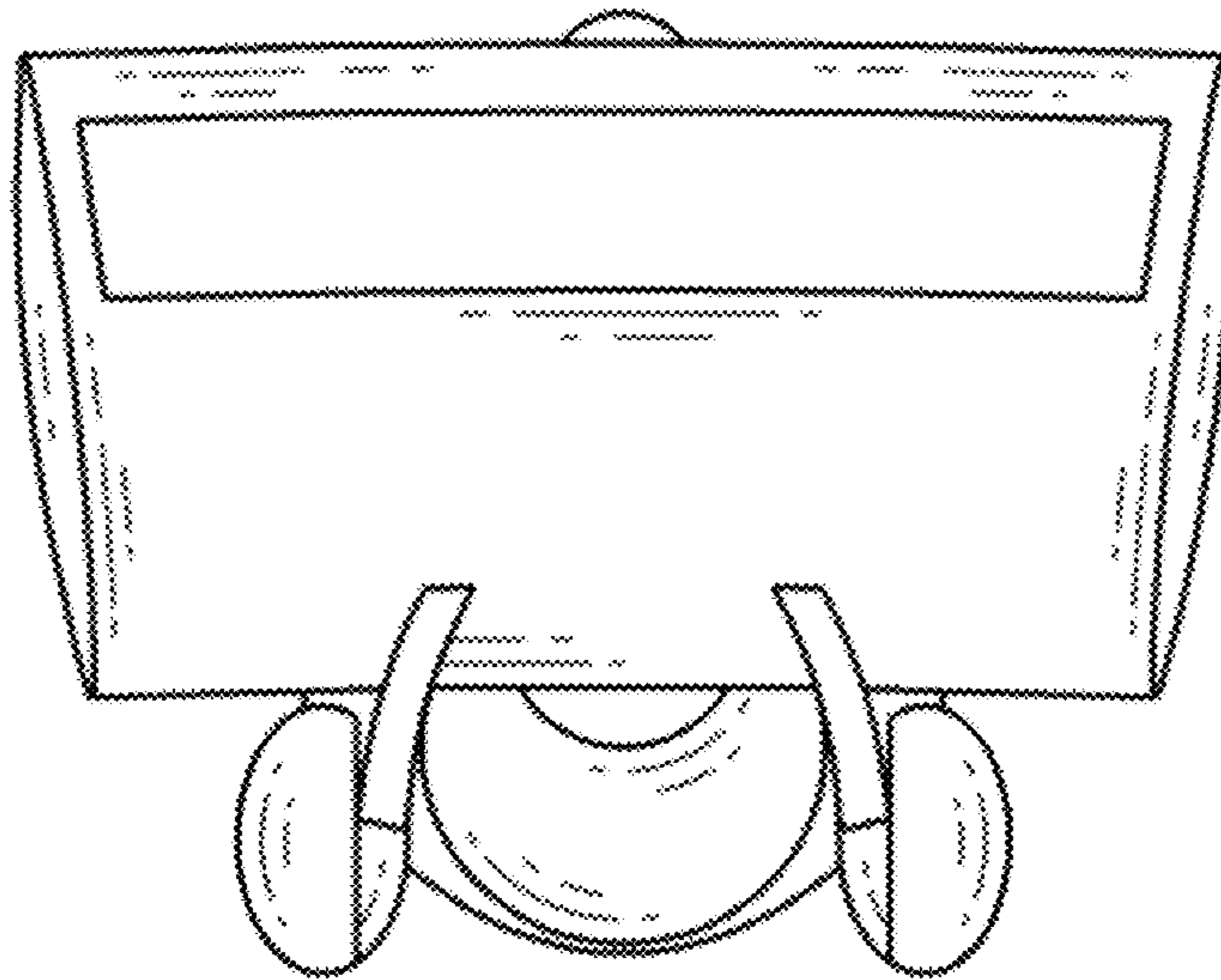
1.5



1.6



1.7



1.8

