



US00D806961S

(12) **United States Design Patent** (10) **Patent No.:** **US D806,961 S**  
**Yoo et al.** (45) **Date of Patent:** **\*\* Jan. 2, 2018**

(54) **VACUUM CLEANER**

(56) **References Cited**

(71) Applicant: **LG ELECTRONICS INC.**, Seoul (KR)

U.S. PATENT DOCUMENTS

(72) Inventors: **Joonggil Yoo**, Seoul (KR); **Eugene Suh**, Seoul (KR)

D556,398 S *	11/2007	Shin	.....	D32/21
D556,399 S *	11/2007	Shin	.....	D32/21
D600,416 S *	9/2009	Shin	.....	D32/21
D737,008 S *	8/2015	Cheon	.....	D32/31
D768,343 S *	10/2016	Vanderstegen-Drake	.....	D32/21
D780,389 S *	2/2017	Mitchell	.....	D32/21
D785,261 S *	4/2017	Choi	.....	D32/31
D785,262 S *	4/2017	Choi	.....	D32/31
D785,263 S *	4/2017	Kim	.....	D32/31
2012/0312409 A1 *	12/2012	Yamashita	.....	A47L 9/242 138/109

(73) Assignee: **LG ELECTRONICS INC.**, Seoul (KR)

(\*\*) Term: **15 Years**

(21) Appl. No.: **35/501,234**

(22) Filed: **Jan. 18, 2016**

\* cited by examiner

(80) **Hague Agreement Data**

*Primary Examiner* — Michael A Pratt

Int. Filing Date: **Jan. 18, 2016**

(74) *Attorney, Agent, or Firm* — Birch, Stewart, Kolasch & Birch, LLP

Int. Reg. No.: **DM/089190**

Int. Reg. Date: **Jan. 18, 2016**

Int. Reg. Pub. Date: **Jul. 22, 2016**

(30) **Foreign Application Priority Data**

Aug. 12, 2015 (KR) ..... 30-2015-0040749

(51) **LOC (11) Cl.** ..... **15-05**

(52) **U.S. Cl.**  
USPC ..... **D32/23**

(58) **Field of Classification Search**  
USPC ..... D23/21, 22, 23, 25, 32, 33, 34; D32/21,  
D32/22, 23, 25, 32, 33, 34

CPC . A47L 9/16; A47L 9/20; A47L 9/1683; A47L  
9/1666; A47L 9/1608; A47L 9/2857;  
A47L 9/2842; A47L 9/2836; A47L  
9/2847; A47L 9/2852; A47L 5/28; A47L  
7/0038; G06N 3/008; E04H 4/1654

See application file for complete search history.

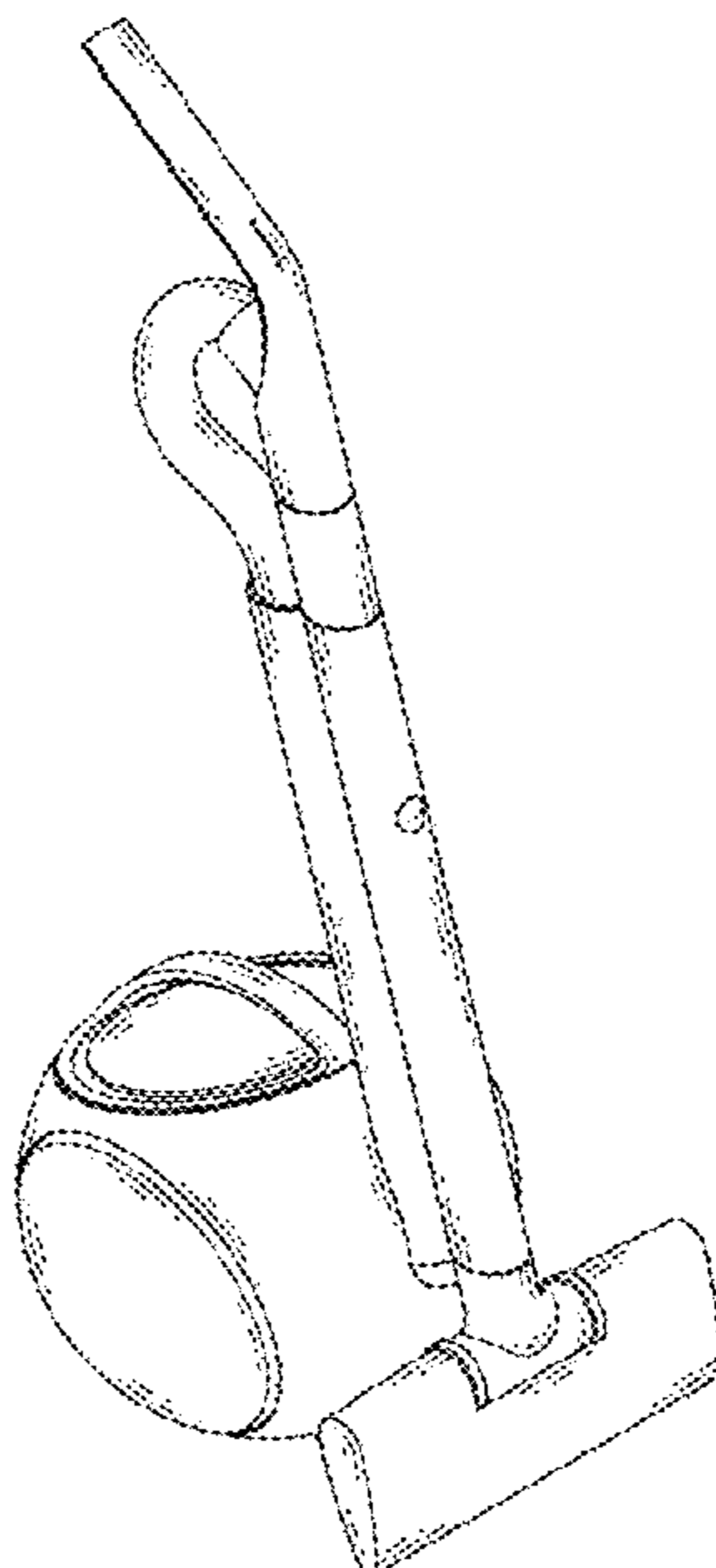
(57) **CLAIM**

The ornamental design for a vacuum cleaner, as shown and described.

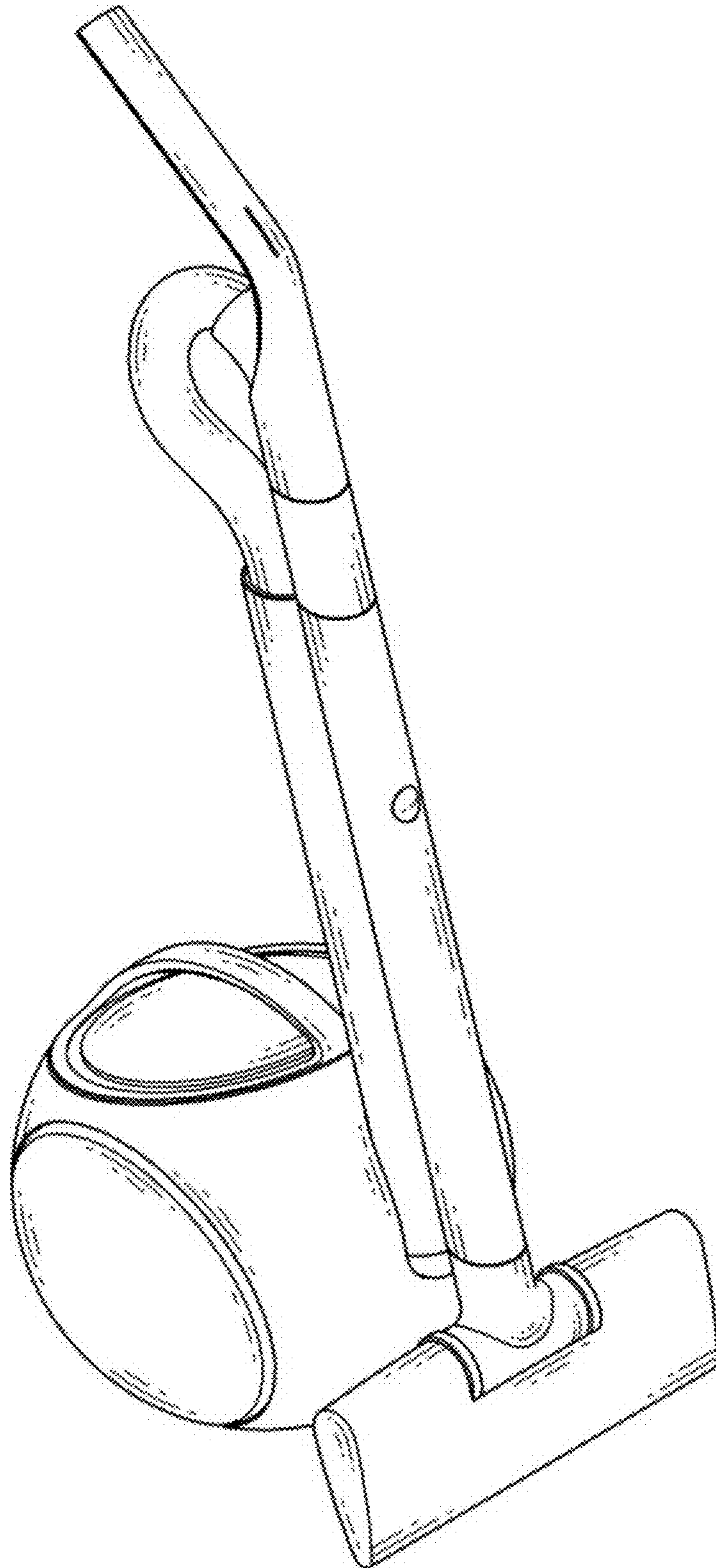
**DESCRIPTION**

1. Vacuum cleaner
- 1.1 is a perspective view of a vacuum cleaner showing our new design;
- 1.2 is a front elevation view thereof;
- 1.3 is a rear elevation view thereof;
- 1.4 is a left-side elevation view thereof;
- 1.5 is a right-side elevation view thereof;
- 1.6 is a top plan view thereof;
- 1.7 is a bottom plan view thereof; and
- 1.8 is a perspective view thereof in a use condition.

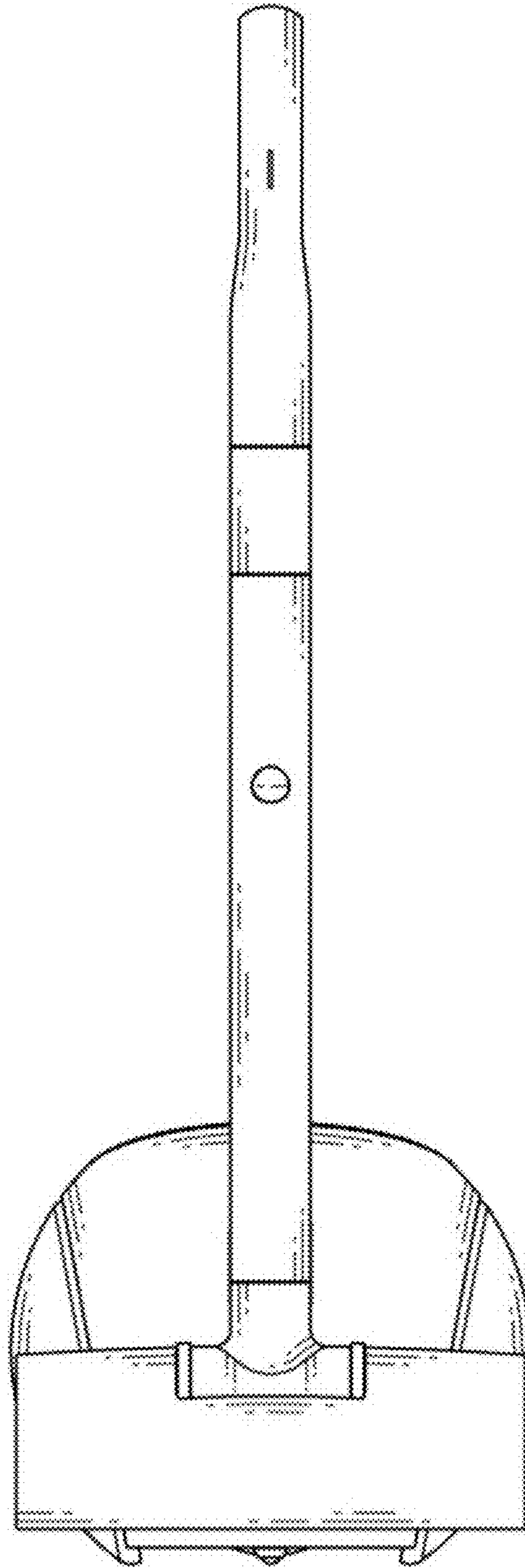
**1 Claim, 8 Drawing Sheets**



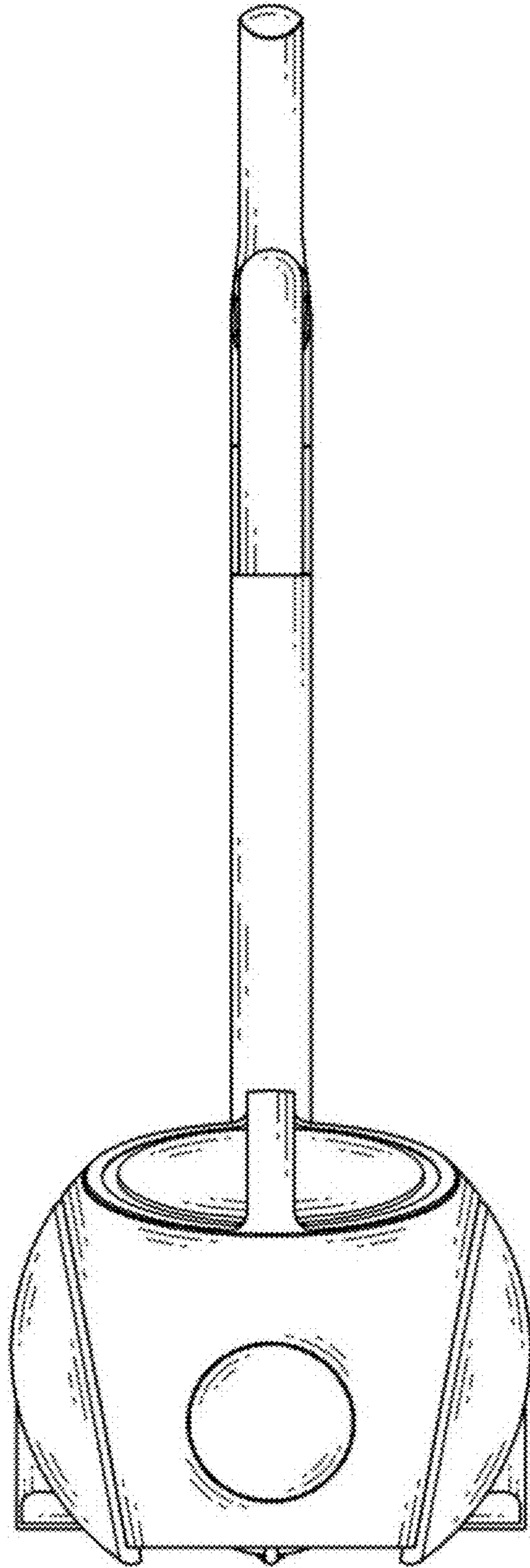
1.1



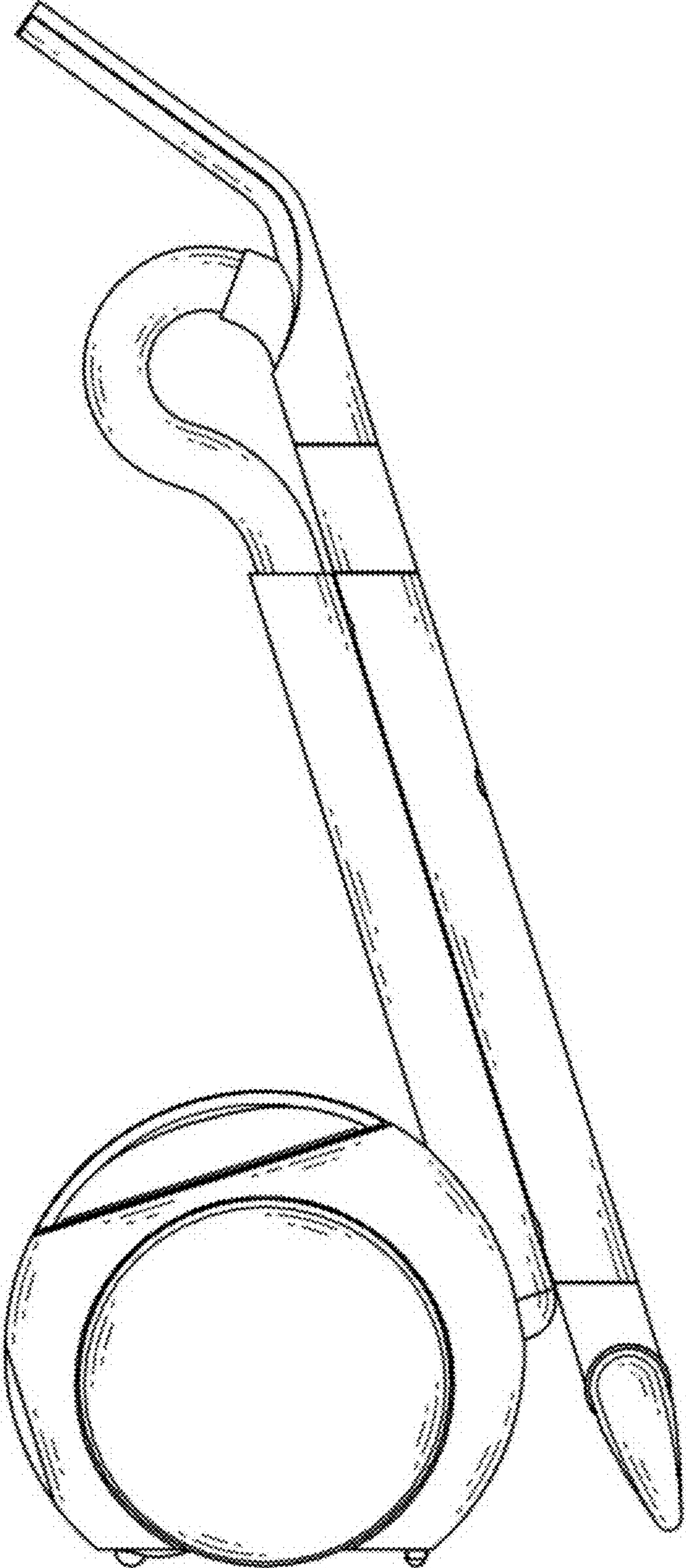
1.2



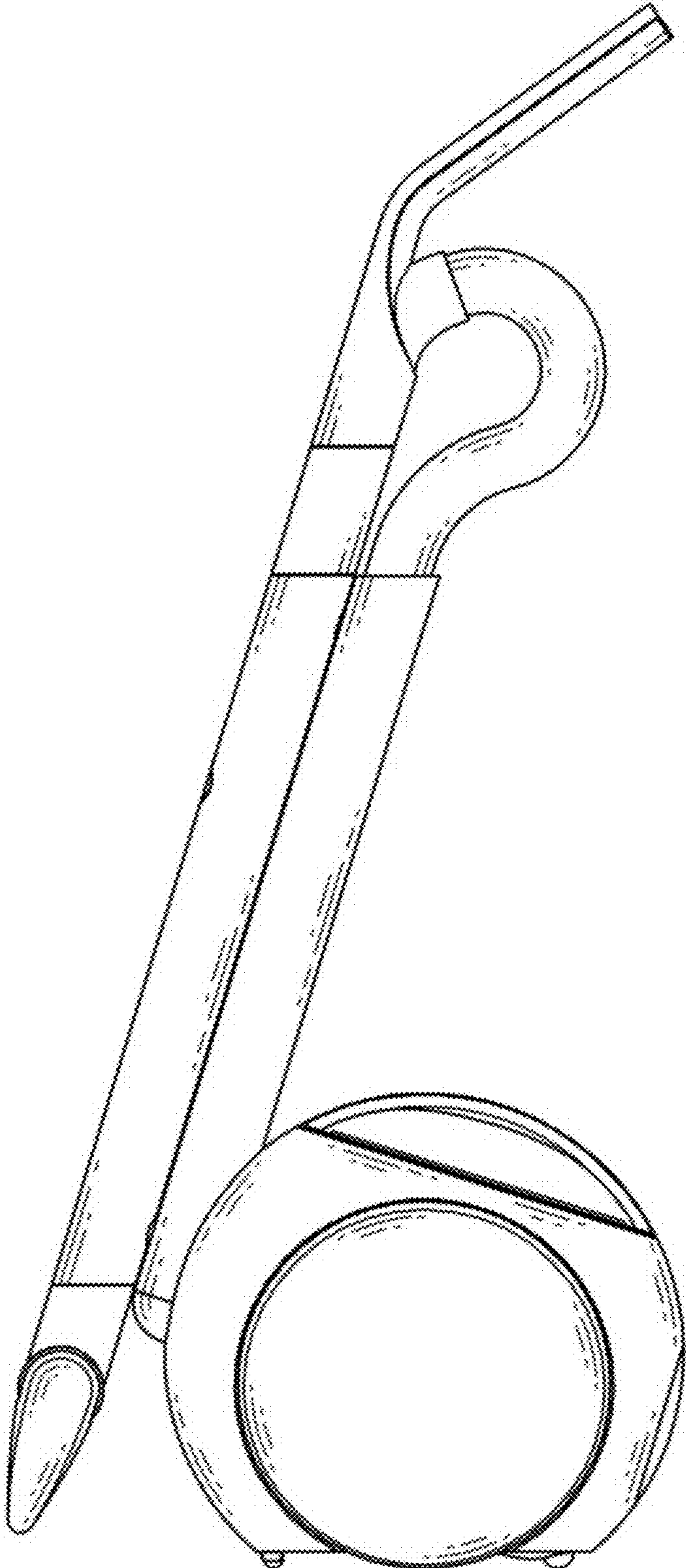
1.3



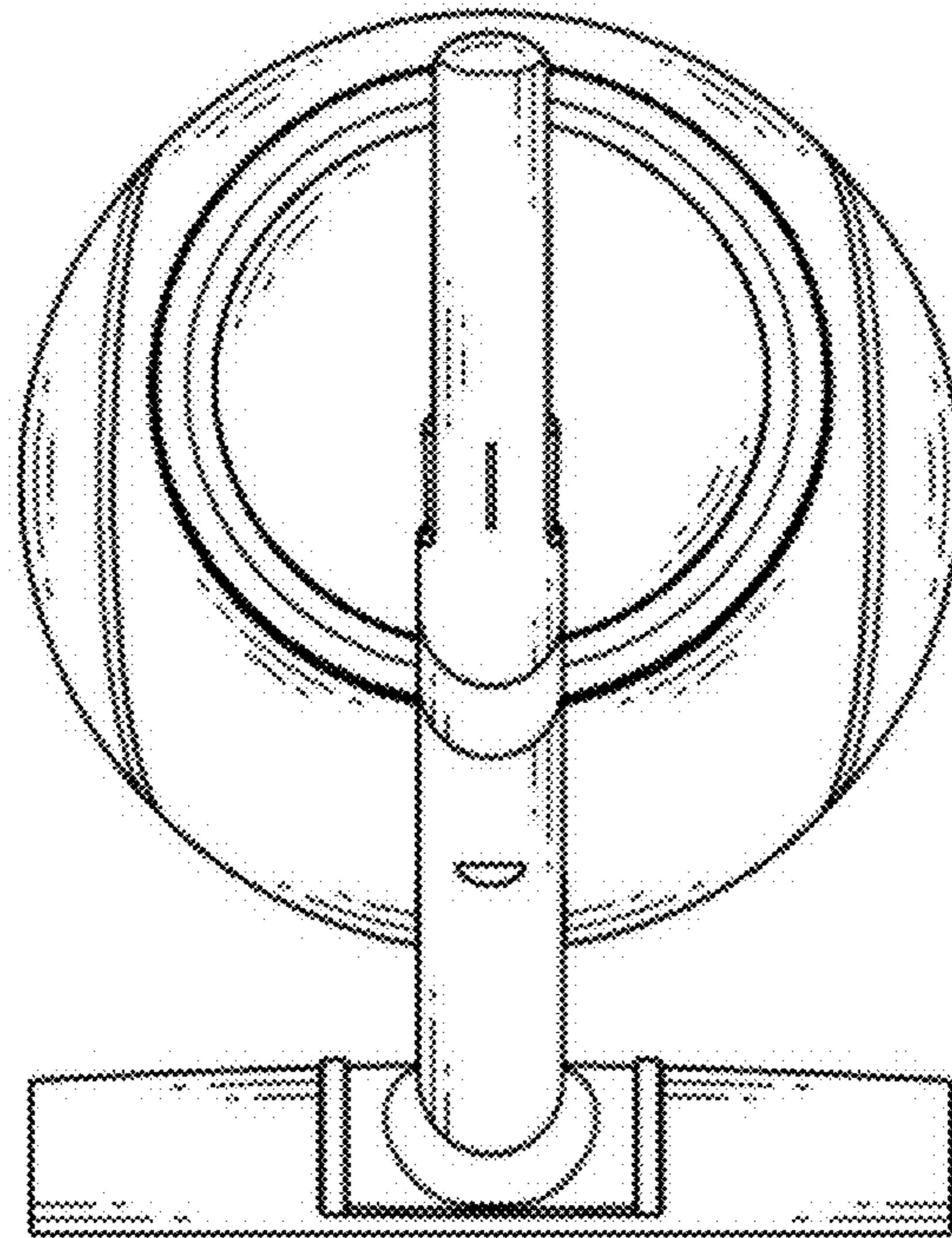
1.4



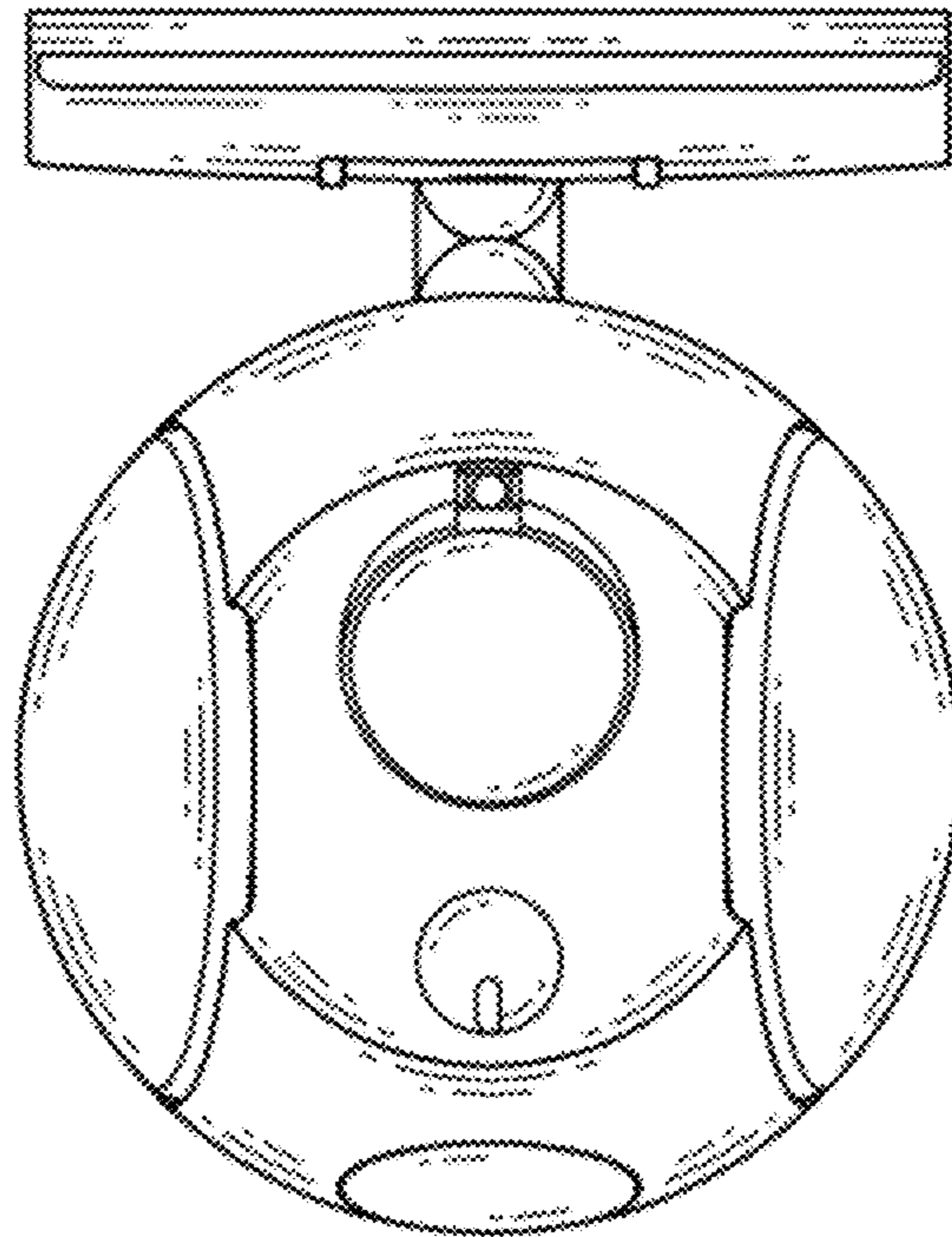
1.5



1.6



1.7





1.8

