



US00D806960S

(12) **United States Design Patent**  
**Tong et al.**

(10) **Patent No.:** **US D806,960 S**  
(45) **Date of Patent:** **\*\* Jan. 2, 2018**

(54) **DISHWASHER**

(71) Applicant: **FOSHAN SHUNDE MIDEA WASHING APPLIANCES MFG. CO., LTD.**, Foshan (CN)

(72) Inventors: **Jianfeng Tong**, Foshan (CN); **Jinhui Ding**, Foshan (CN); **Yunpeng Ma**, Foshan (CN)

(73) Assignee: **FOSHAN SHUNDE MIDEA WASHING APPLIANCES MFG. CO., LTD.**, Foshan (CN)

(\*\*) Term: **15 Years**

(21) Appl. No.: **29/591,081**

(22) Filed: **Jan. 17, 2017**

(30) **Foreign Application Priority Data**

Dec. 6, 2016 (CN) ..... 2016 3 0596492

(51) **LOC (11) Cl.** ..... **15-05**

(52) **U.S. Cl.**  
USPC ..... **D32/2**

(58) **Field of Classification Search**  
USPC ..... D32/1, 2; D15/91; D7/405-406  
CPC .. A47L 15/00; A47L 15/0002; A47L 15/0005;  
A47L 15/0007; A47L 15/0076  
See application file for complete search history.

(56) **References Cited**

**U.S. PATENT DOCUMENTS**

D449,720 S \* 10/2001 Costello ..... D32/28  
D561,414 S \* 2/2008 Cline ..... D32/28

D573,762 S \* 7/2008 Eicher ..... D32/28  
D613,010 S \* 3/2010 Eicher ..... D32/28  
D681,893 S \* 5/2013 Meda ..... D32/28  
D702,407 S \* 4/2014 Geyer ..... D32/28  
D705,506 S \* 5/2014 Kwack ..... D32/28  
D705,507 S \* 5/2014 Cho ..... D32/28  
D749,807 S \* 2/2016 Ha ..... D32/28  
D759,917 S \* 6/2016 Choi ..... D32/28  
D773,134 S \* 11/2016 Armstrong ..... D32/28  
D775,770 S \* 1/2017 Yoon ..... D32/2

\* cited by examiner

*Primary Examiner* — Michael A. Pratt

*Assistant Examiner* — Michelle E Wilson

(74) *Attorney, Agent, or Firm* — Hodgson Russ LLP

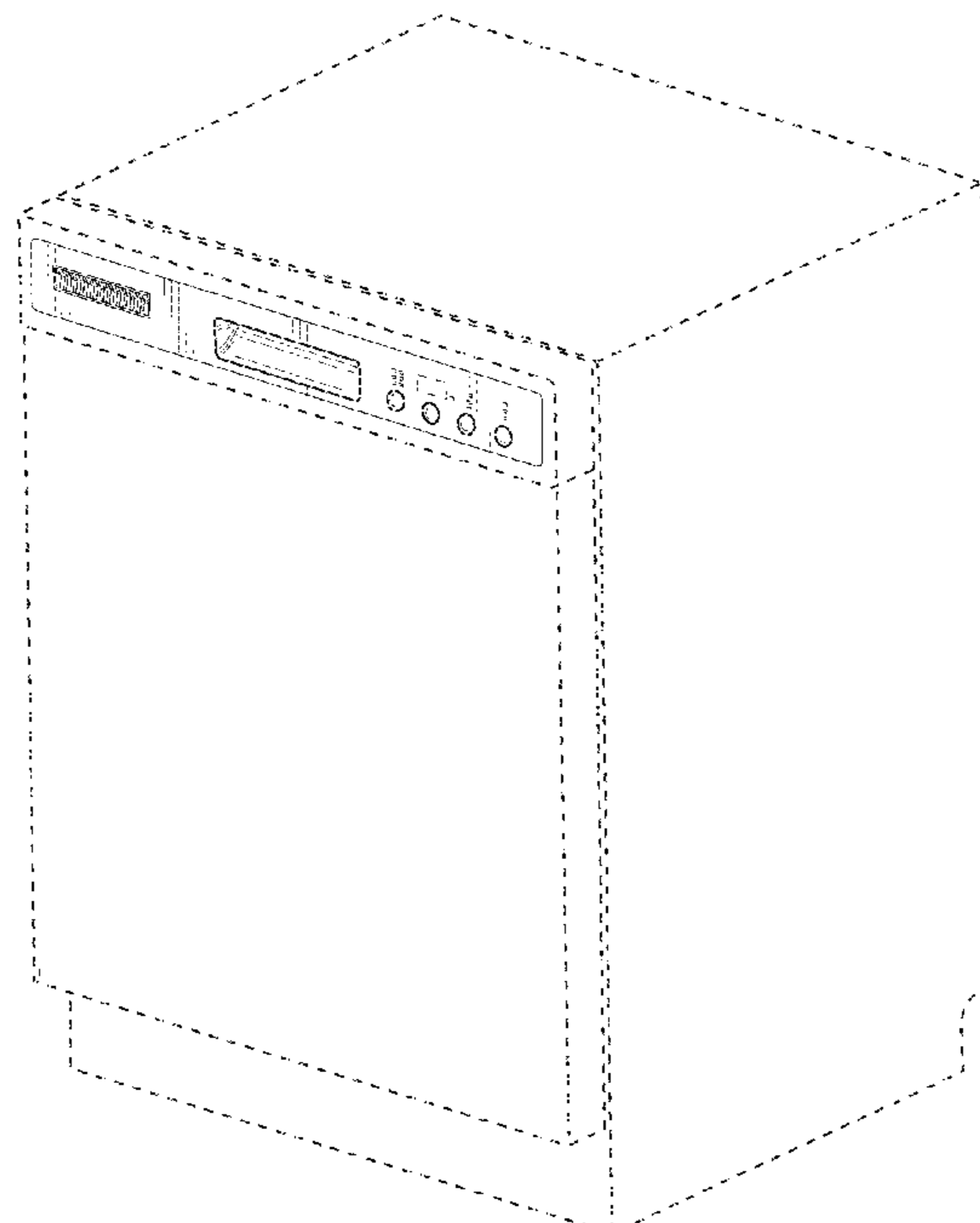
(57) **CLAIM**

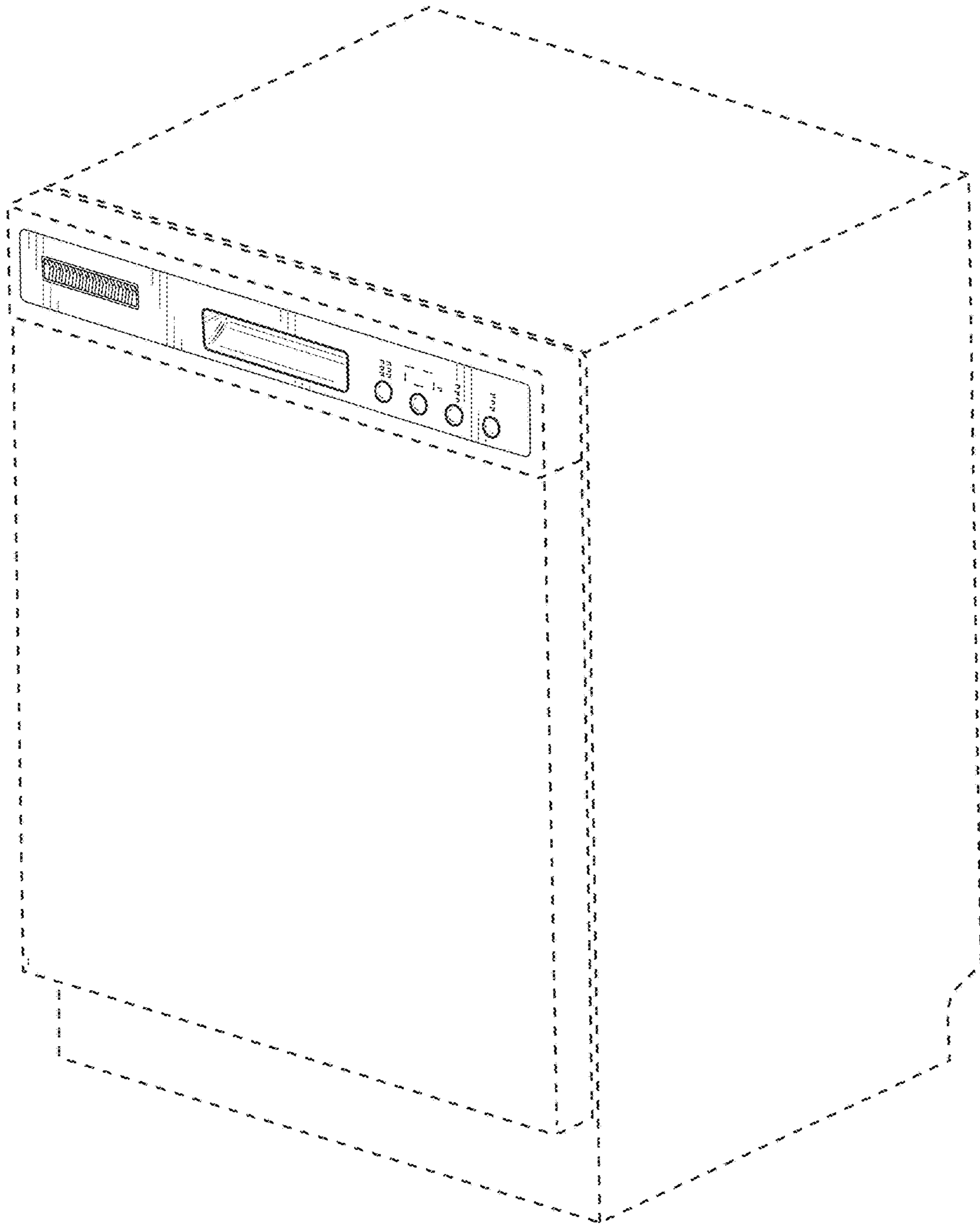
The ornamental design for a dishwasher, as shown and described.

**DESCRIPTION**

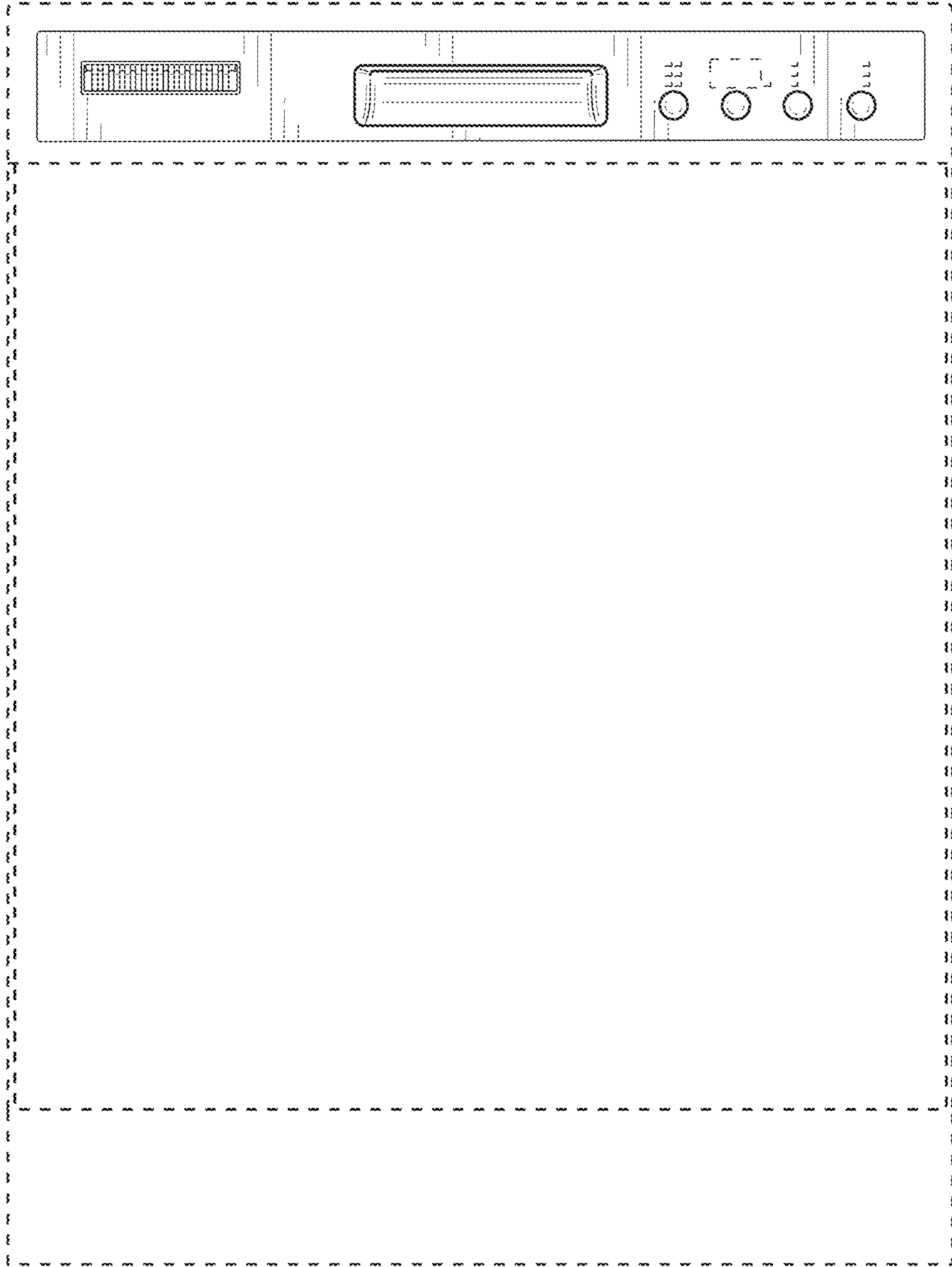
FIG. 1 is a perspective view of a dishwasher;  
FIG. 2 is a front elevation view thereof;  
FIG. 3 is a right side elevation view thereof;  
FIG. 4 is a left side elevation view thereof;  
FIG. 5 is a top plan view thereof; and,  
FIG. 6 is a detail perspective view thereof.  
The broken lines represent unclaimed features that form no part of the claimed design.

**1 Claim, 6 Drawing Sheets**

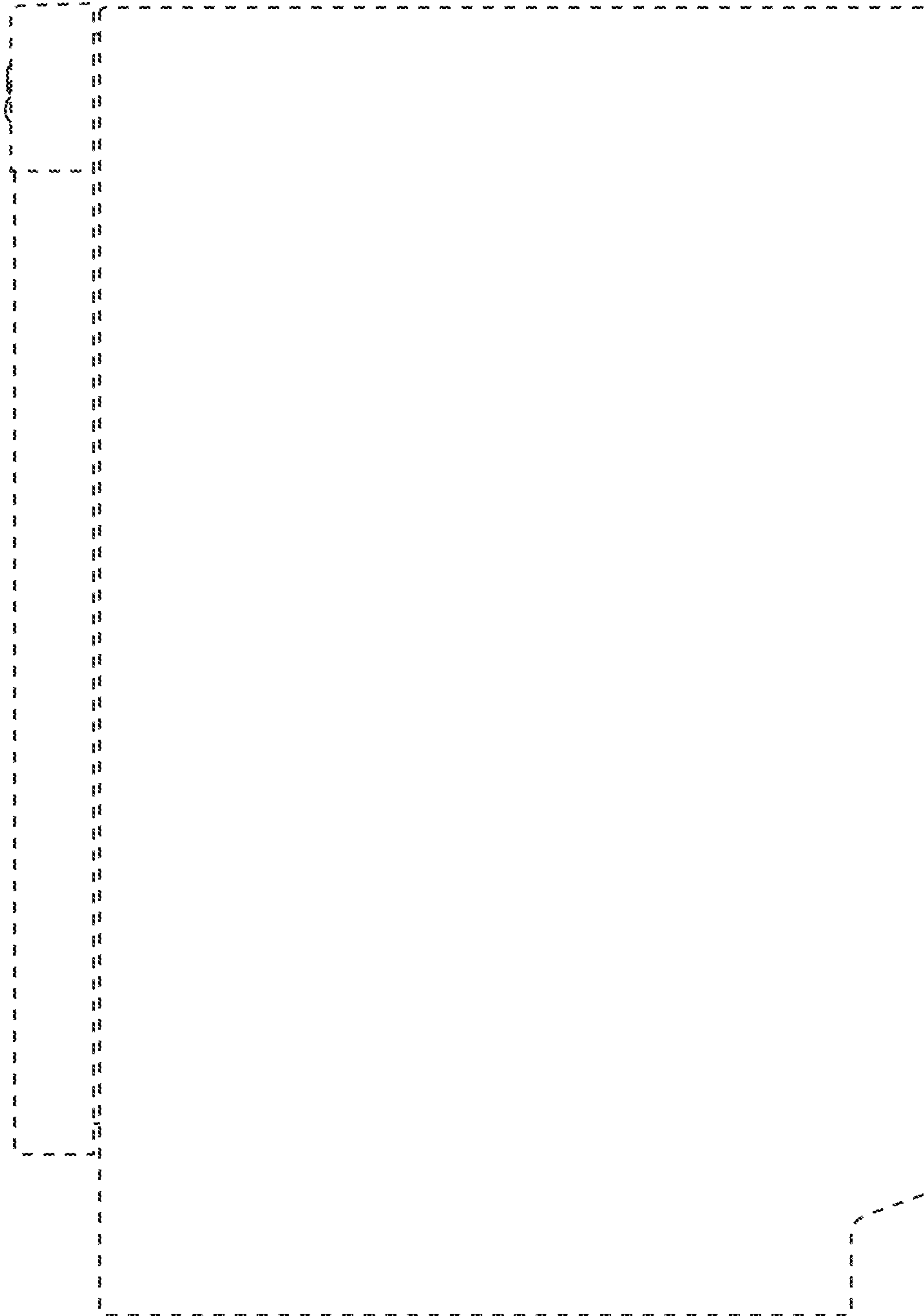




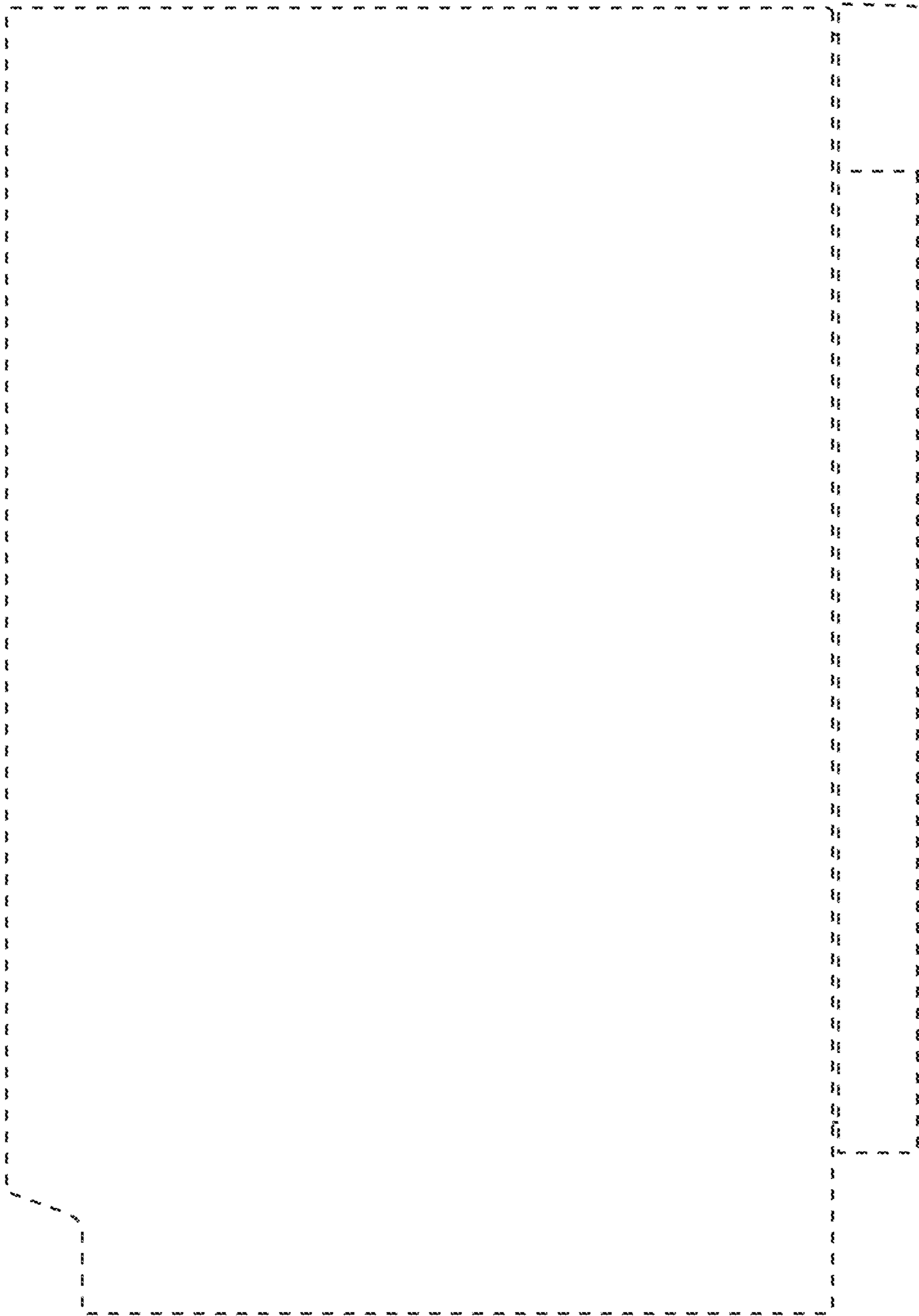
**FIG. 1**



**FIG. 2**



**FIG. 3**



**FIG. 4**



**FIG. 5**

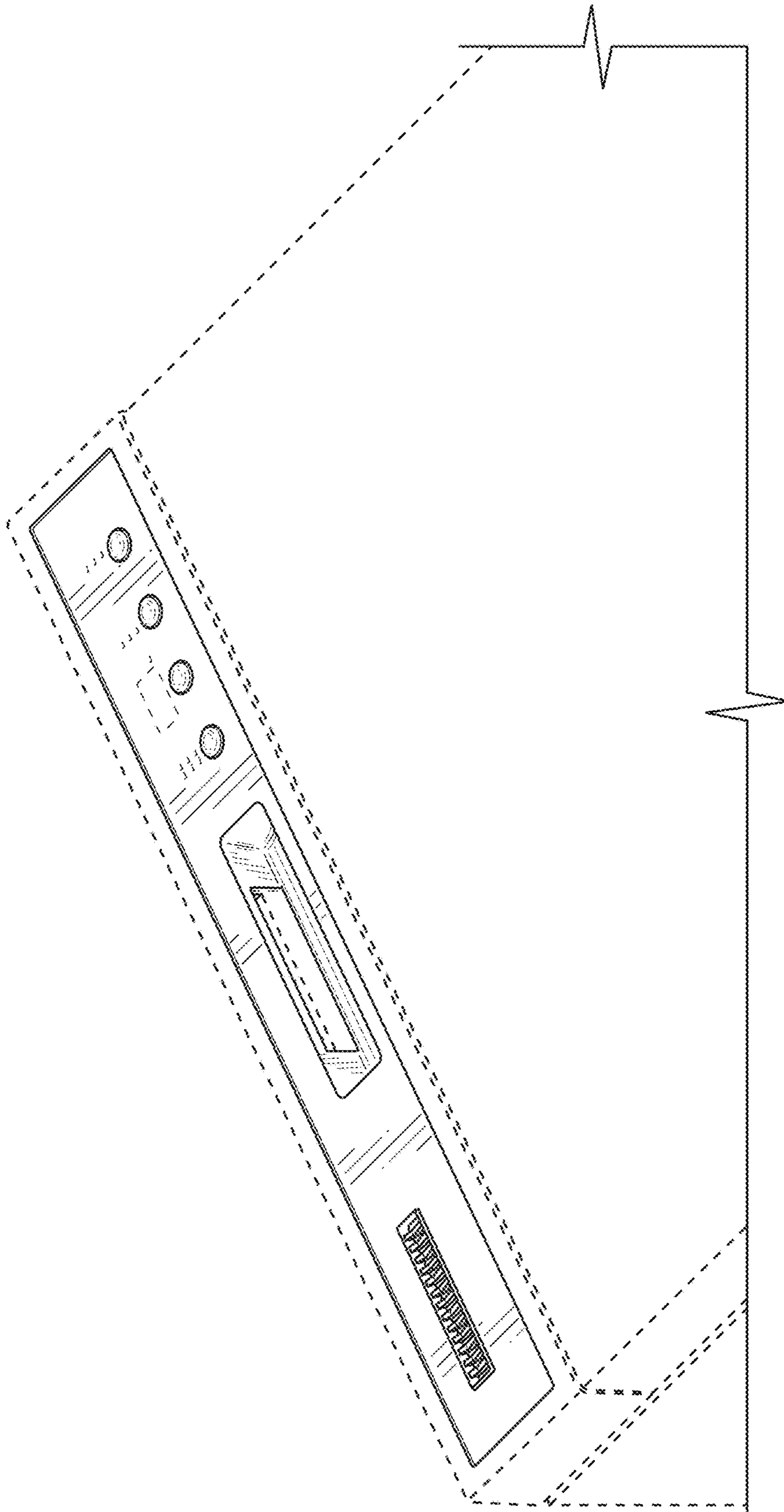


FIG. 6