



US00D806956S

(12) **United States Design Patent**
Hunter et al.

(10) **Patent No.:** **US D806,956 S**
(45) **Date of Patent:** **** Jan. 2, 2018**

(54) **GLOVE**

A41D 13/081; A41D 19/0048; A41D
19/01582; A41F 1/06; Y10S 2/91

See application file for complete search history.

(71) Applicants: **Jeffrey Thomas Hunter**, Los Angeles,
CA (US); **Kristina Dolores Coker**, Los
Angeles, CA (US)

(56) **References Cited**

U.S. PATENT DOCUMENTS

(72) Inventors: **Jeffrey Thomas Hunter**, Los Angeles,
CA (US); **Kristina Dolores Coker**, Los
Angeles, CA (US)

RE32,566 E * 12/1987 Patton, Jr. A41D 13/088
2/16
4,785,478 A * 11/1988 Mosley A41D 13/084
2/161.6
D320,872 S * 10/1991 McCrane D29/113

(Continued)

(**) Term: **15 Years**

(21) Appl. No.: **29/527,539**

OTHER PUBLICATIONS

(22) Filed: **May 20, 2015**

JerkFit WODies, available Jun. 22, 2014, [online], [site visited Feb.
15, 2017]. Available from internet, <URL: <https://web.archive.org/web/20140622054001/http://jerkfit.com/product/wodies/>>.*

(Continued)

Related U.S. Application Data

(63) Continuation-in-part of application No. 29/495,990,
filed on Jul. 8, 2014, now Pat. No. Des. 751,771.

Primary Examiner — Cathron Brooks

Assistant Examiner — Teddy Falloway

(51) **LOC (11) Cl.** **02-06**

(74) *Attorney, Agent, or Firm* — Marshall A. Lerner;
Kleinberg & Lerner, LLP

(52) **U.S. Cl.**

USPC **D29/117.1**

(57) **CLAIM**

(58) **Field of Classification Search**

The ornamental design for a glove, as shown and described.

USPC ... D29/113, 114, 116.1, 116.2, 117.1, 117.2,
D29/118, 119, 120.1, 122, 123; D3/215,
D3/269, 270, 271.1, 271.4, 271.9;
D2/610–623; D28/63; 2/158–160,
2/161.1–161.8, 162–170, 16–21, 907,
2/910, 917; 401/6–8; 446/327, 328;
223/78–80; D30/158; D24/190, 200,
D24/214; 119/611; D32/40–43;
D21/807; D20/33

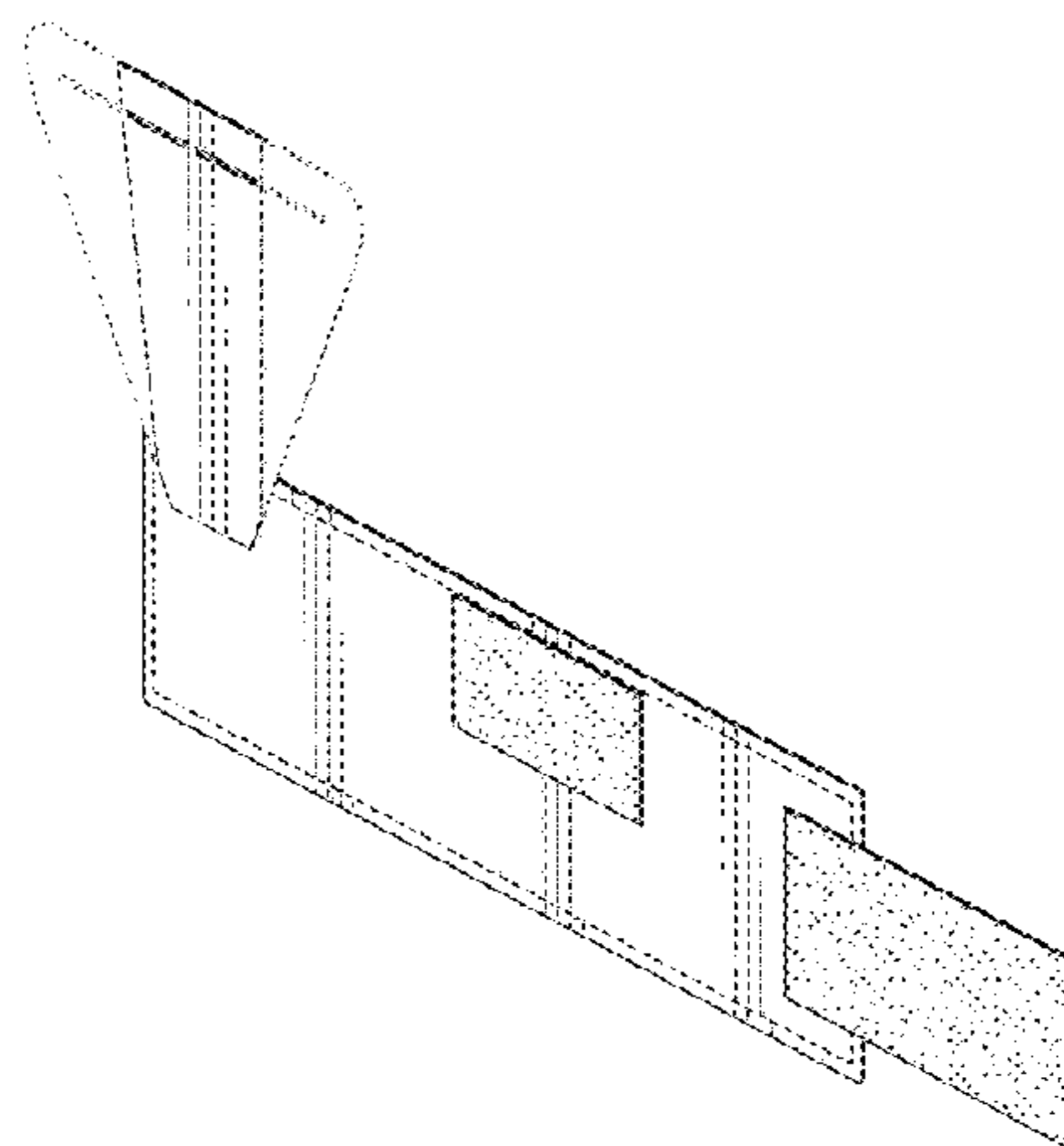
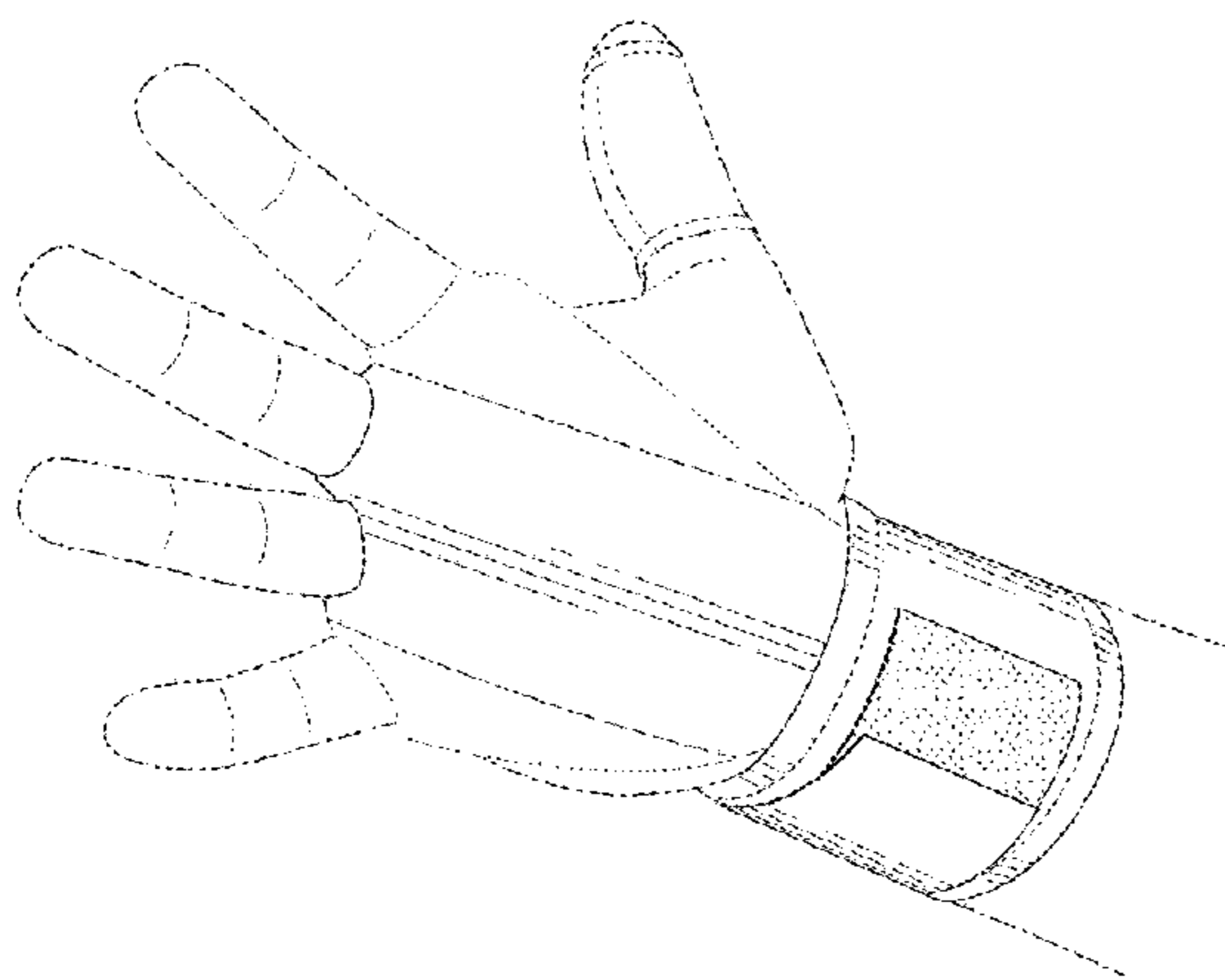
DESCRIPTION

CPC A63B 71/141; A63B 21/1438; A63B
2209/10; A63B 2244/09; A63B 71/148;
A63B 21/06; A63B 21/1442; A63B
21/1469; A41D 13/088; A41D 13/082;

FIG. 1 is an outside perspective view of a glove, shown with
environment in a position of use;
FIG. 2 is an inside perspective view thereof, shown in a flat
position;
FIG. 3. is an outside perspective view thereof;
FIG. 4 is an inside elevational view thereof; and,
FIG. 5 is an outside elevational view thereof.

The dash-dash broken lines showing a palm feature illustrate
portions of the glove. The dash-dash broken lines shown
along the edges of the glove represent stitching. The dash-
dot broken lines shown on the glove define the bounds of the

(Continued)



claim. The dash-dot broken lines showing a hand in FIG. 1 illustrate environmental structure. The broken lines form no part of the claimed design.

1 Claim, 5 Drawing Sheets

(56)

References Cited

U.S. PATENT DOCUMENTS

5,079,776 A * 1/1992 Crawford A63B 71/141
2/162
5,353,440 A * 10/1994 Meldeau A41D 19/01547
2/161.1
5,479,660 A * 1/1996 Najac A41D 13/082
2/161.1
D368,351 S * 4/1996 Yewer, Jr. D29/113
5,600,849 A * 2/1997 Hu A41D 13/088
2/16
5,600,853 A * 2/1997 Yewer, Jr. A41D 13/082
2/161.1
D380,874 S * 7/1997 Caswell D2/617
D387,503 S * 12/1997 Ho D2/610
5,781,928 A * 7/1998 Avila A41D 13/081
2/159
5,933,868 A * 8/1999 Bender A41D 13/088
2/16
D426,894 S * 6/2000 Picchione, II D24/208
D429,880 S * 8/2000 McCullough, Jr. D3/215
D502,573 S * 3/2005 Jones D29/113
D581,102 S * 11/2008 Faulconer D29/117.2
D581,539 S * 11/2008 Rotter D24/190
8,096,901 B2 * 1/2012 Russotti A63B 69/0071
2/161.1
D669,640 S * 10/2012 Kleinert D29/117.1
8,376,976 B2 * 2/2013 Scott A61F 5/0118
128/846
D706,992 S * 6/2014 Bermudez D29/116.1

D723,224 S * 2/2015 Smith D29/123
D741,974 S * 10/2015 Lung D21/698
D751,771 S * 3/2016 Hunter D29/117.1
D752,695 S * 3/2016 Boruch D21/684
9,380,817 B1 * 7/2016 Drake A41D 13/082
D769,538 S * 10/2016 Gutman D29/113
2007/0226872 A1 * 10/2007 Huh A41D 19/0017
2/159
2008/0280705 A1 * 11/2008 LaPergola A63B 69/0059
473/450
2009/0320178 A1 * 12/2009 Faulconer A63B 71/141
2/161.1
2010/0000006 A1 * 1/2010 Butler A63B 21/0605
2/160
2011/0190715 A1 * 8/2011 Hendricks A41D 19/0017
604/292
2012/0017351 A1 * 1/2012 McCrane A63B 21/4019
2/161.1
2013/0000006 A1 * 1/2013 Norton A41F 1/06
2/16
2015/0052655 A1 * 2/2015 McCully A41D 13/084
2/16
2015/0072579 A1 * 3/2015 Jack A63B 69/00
441/57

OTHER PUBLICATIONS

WODies 2in1 WOD Grips (via amazon.com), available Jul. 11, 2014 <https://www.amazon.com/WODies-Grips-wrist-wraps-protector/dp/B00KKZJAIS>.
CrossFit Gloves by ProFitness, available Oct. 23, 2016, [online], [site visited Feb. 15, 2017]. Available from internet, <URL: https://www.amazon.com/CrossFit-ProFitness-Non-Slip-Silicone-Weightlifting/dp/B01HE3WIK0/ref=pd_lpo_200_tr_img_2?_encoding=UTF8&refRID=2W6RC47KETZG2ZJFQQBR>.
“Hand Protection: Grips Review—do I need them?” (via BOXROX), available Sep. 22, 2014, [online], [site visited Feb. 15, 2017]. Available from internet, <URL: <https://www.boxrox.com/the-glove-club-two-grippers/>>.

* cited by examiner

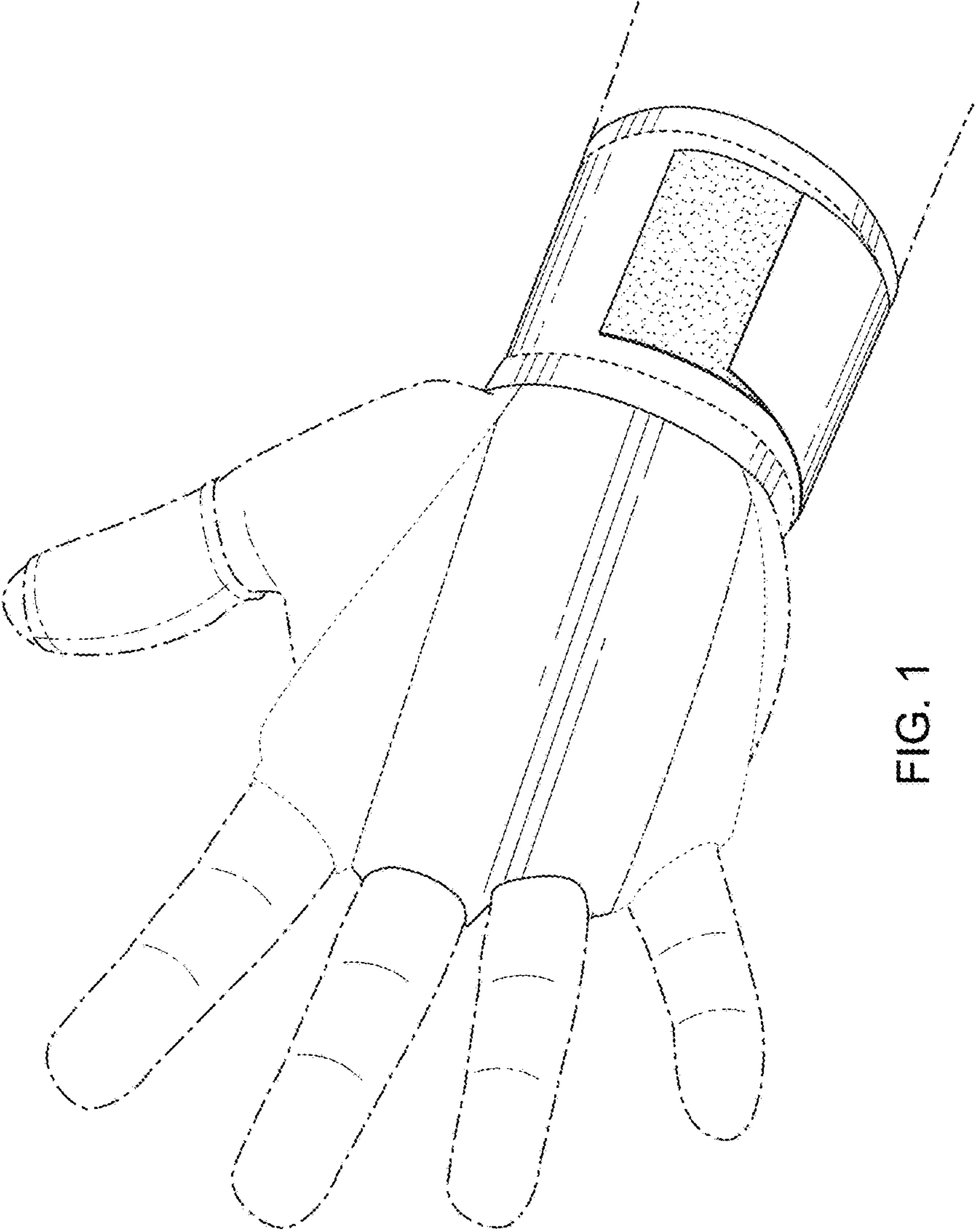


FIG. 1

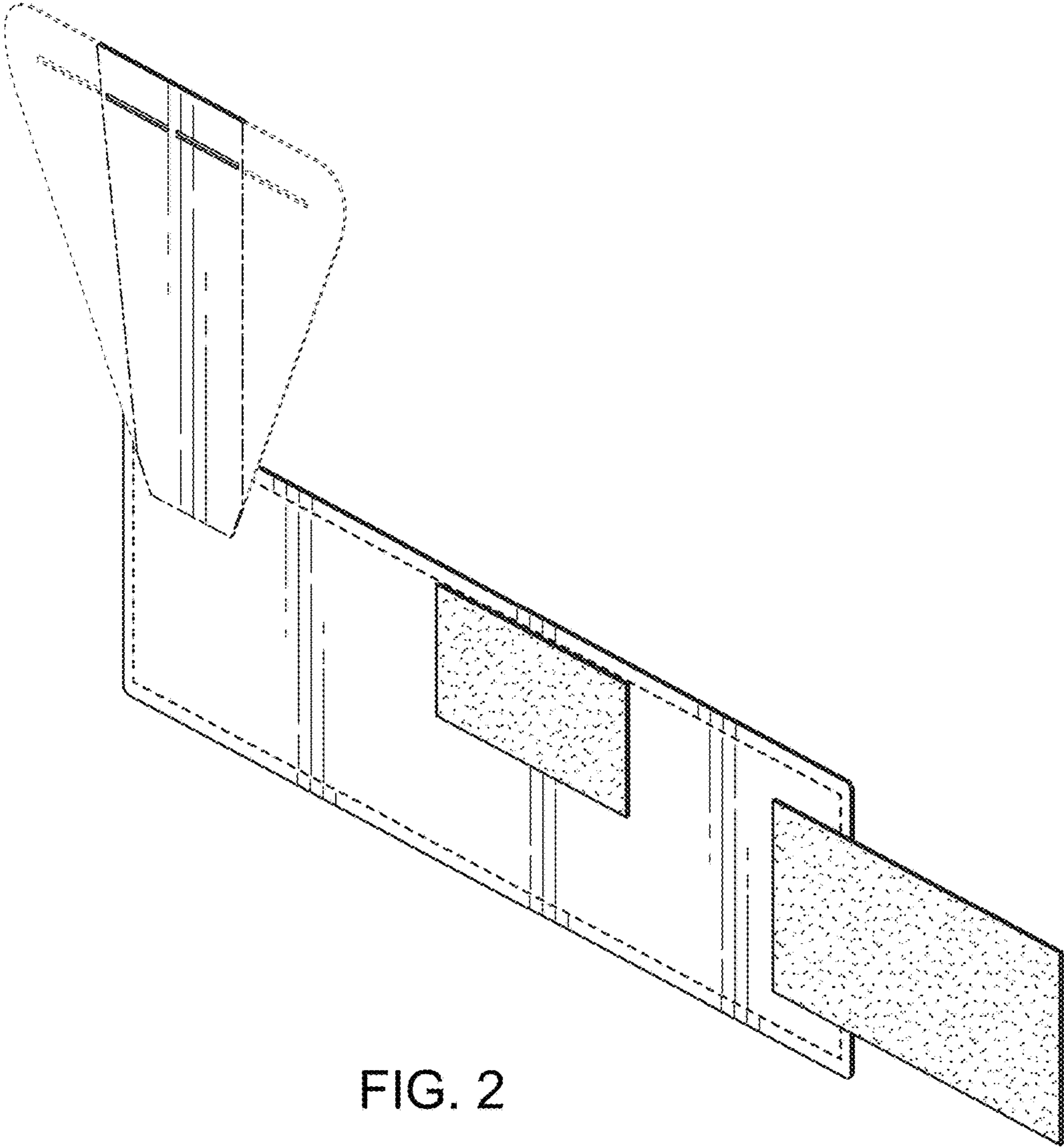


FIG. 2

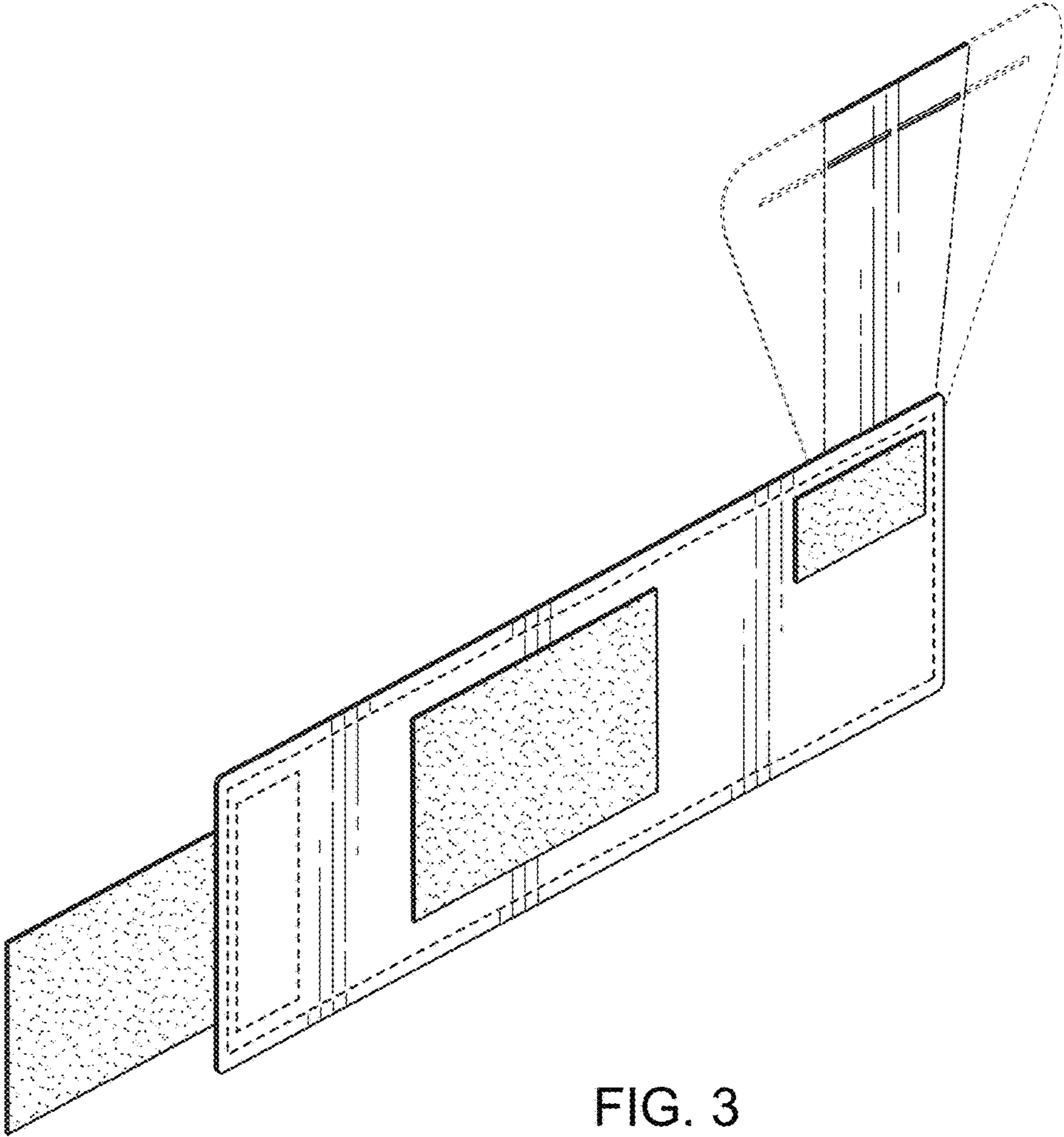


FIG. 3

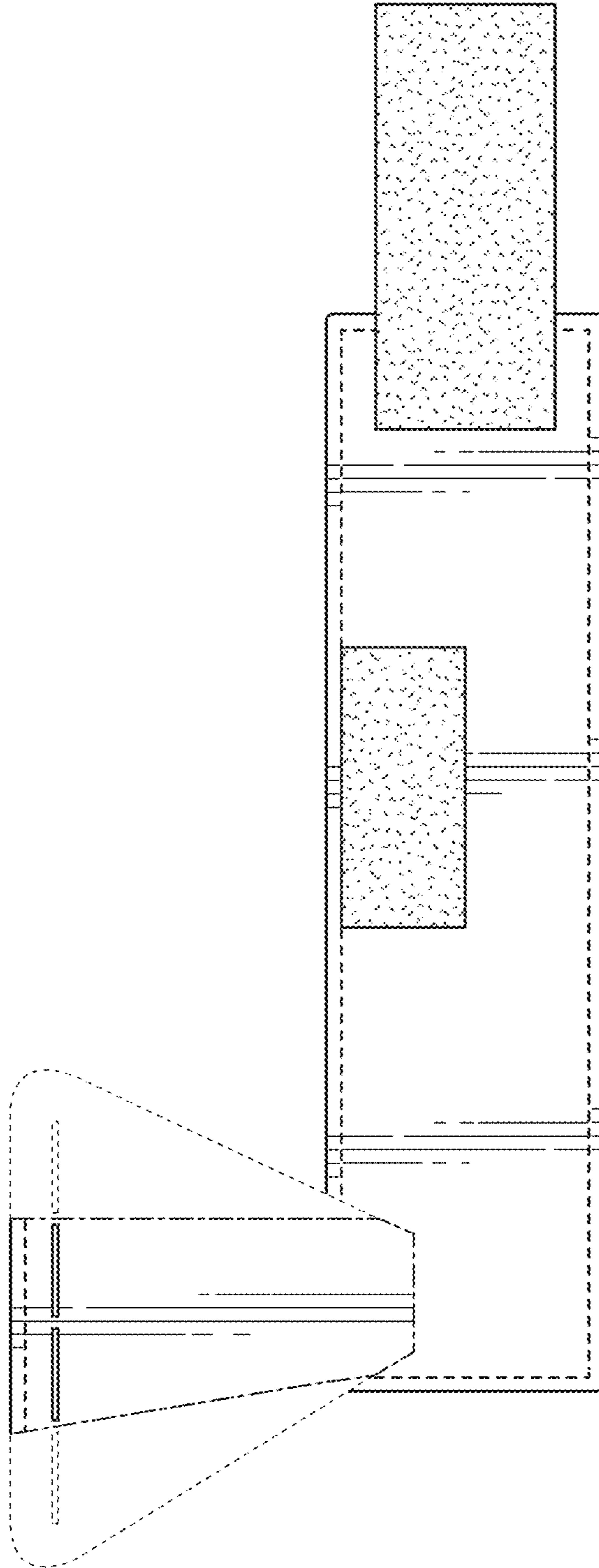


FIG. 4

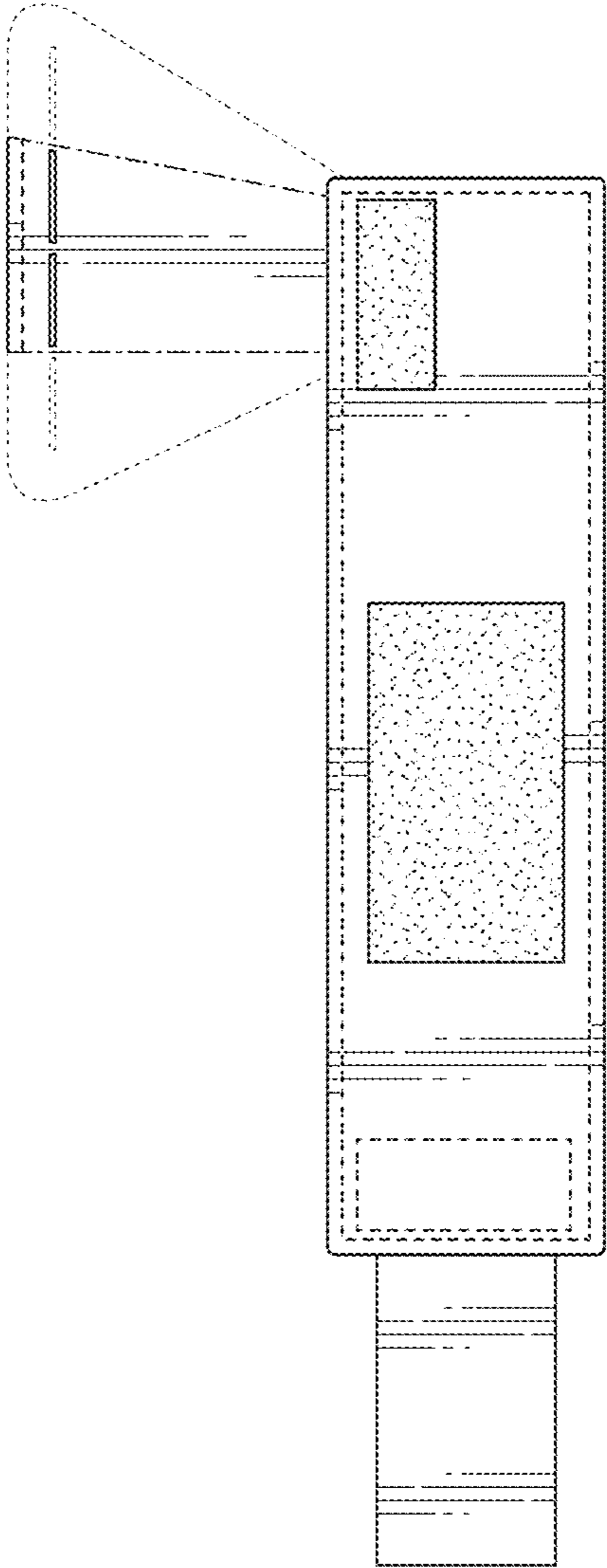


FIG. 5