



US00D806955S

(12) **United States Design Patent** (10) **Patent No.:** **US D806,955 S**
Gosselin (45) **Date of Patent:** **** Jan. 2, 2018**

(54) **GOALIE BLOCKER**

OTHER PUBLICATIONS

(71) Applicant: **Sport Maska Inc.**, Montreal (CA)
(72) Inventor: **Pascal Gosselin**, Delson (CA)
(73) Assignee: **SPORT MASKA INC.**, Montreal (CA)
(**) Term: **15 Years**

Extreme Flex, posted at puckstop.com, posting date May 1, 2017 as found by tineye.com, [online], [site visited Jul. 3, 2017]. Available from Internet, <URL: https://tineye.com/search/b033bff75880e00f42b65cbefc1d9839c9919053/?extension_ver=chrome-1.1.5>.*

* cited by examiner

(21) Appl. No.: **29/562,505**
(22) Filed: **Apr. 26, 2016**
(51) **LOC (11) Cl.** **02-06**
(52) **U.S. Cl.**
USPC **D29/116.3**
(58) **Field of Classification Search**
USPC D29/100, 113, 115, 116.1–116.3, 117.1,
D29/118, 120.1; D2/617–622; 2/2, 16,
2/20, 22, 24, 161.1
CPC A63B 69/0026; A63B 71/12
See application file for complete search history.

Primary Examiner — George D. Kirschbaum
Assistant Examiner — Maria J Edwards
(74) *Attorney, Agent, or Firm* — Norton Rose Fulbright
Canada

(57) **CLAIM**

I claim the ornamental design for a goalie blocker, as shown and described.

DESCRIPTION

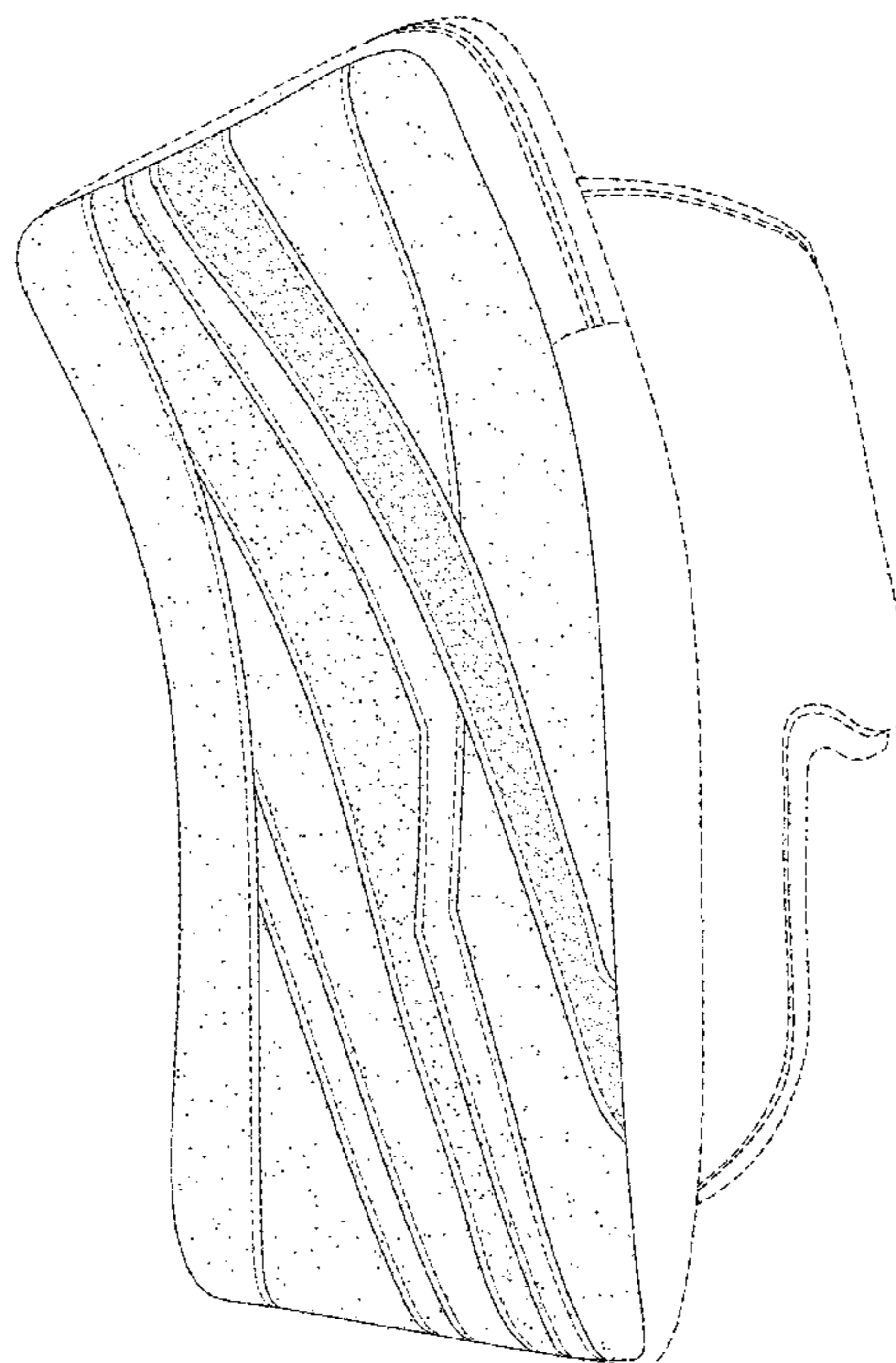
(56) **References Cited**

U.S. PATENT DOCUMENTS

5,564,122 A * 10/1996 Wagner A63B 71/143
2/16
D385,667 S * 10/1997 Goldsmith D29/116.3
D389,606 S * 1/1998 Wagner D29/116.3
D554,295 S * 10/2007 Darche D29/120.1
D554,296 S * 10/2007 Darche D29/120.1
9,211,461 B2 * 12/2015 Marciano A63B 69/0026
D790,136 S * 6/2017 Gosselin D29/120.1
2016/0303463 A1 * 10/2016 Vaughn A63B 71/143

FIG. 1 is tridimensional view of a goalie blocker showing my new design;
FIG. 2 is a front elevation view thereof;
FIG. 3 is a first side view thereof;
FIG. 4 is second side view thereof, opposite the first side;
FIG. 5 is a rear elevation view thereof;
FIG. 6 is a top plan view thereof; and,
FIG. 7 is a bottom plan view thereof.
The broken lines do not form part of the claimed design.

1 Claim, 7 Drawing Sheets



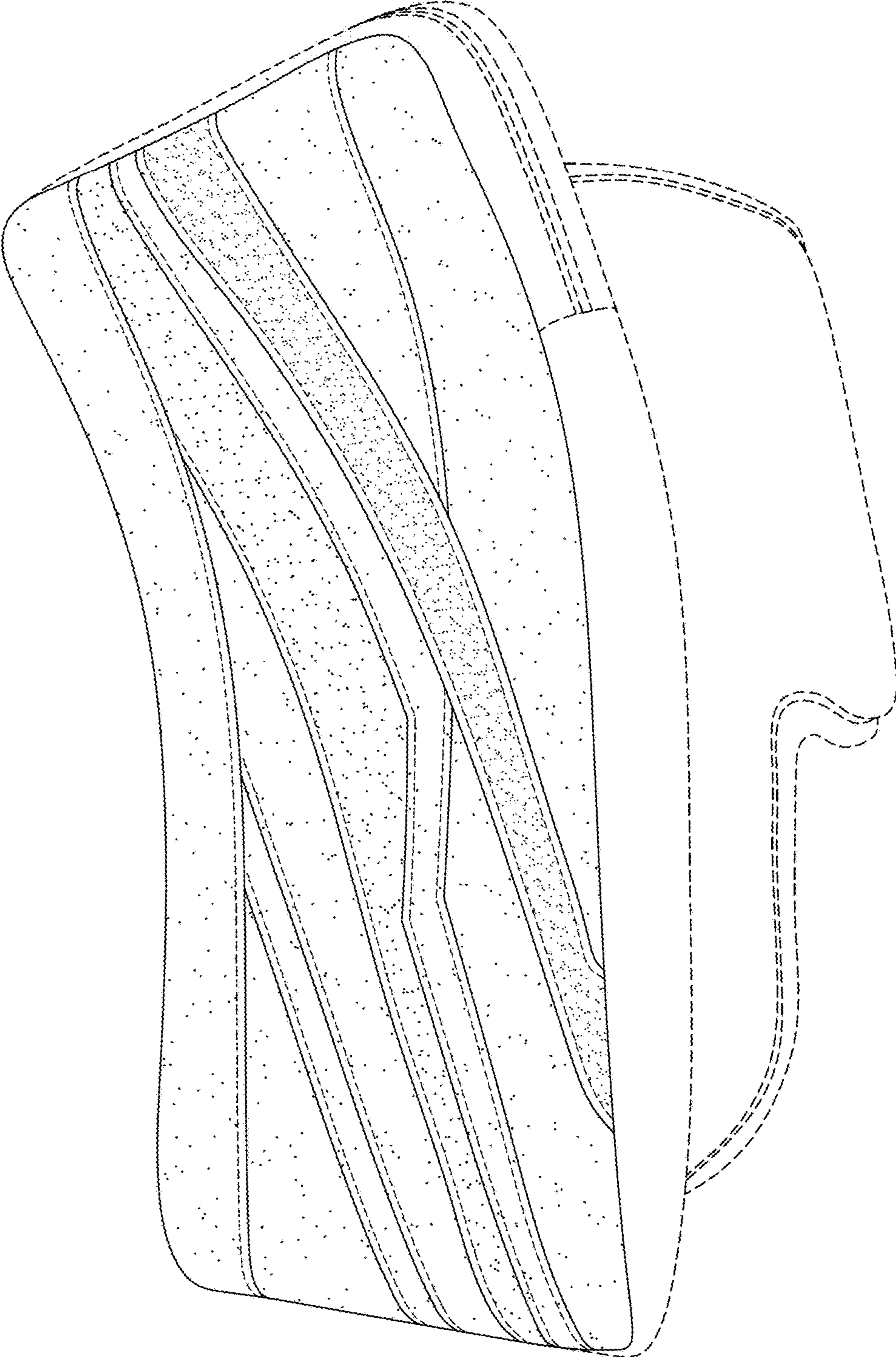


FIG-1

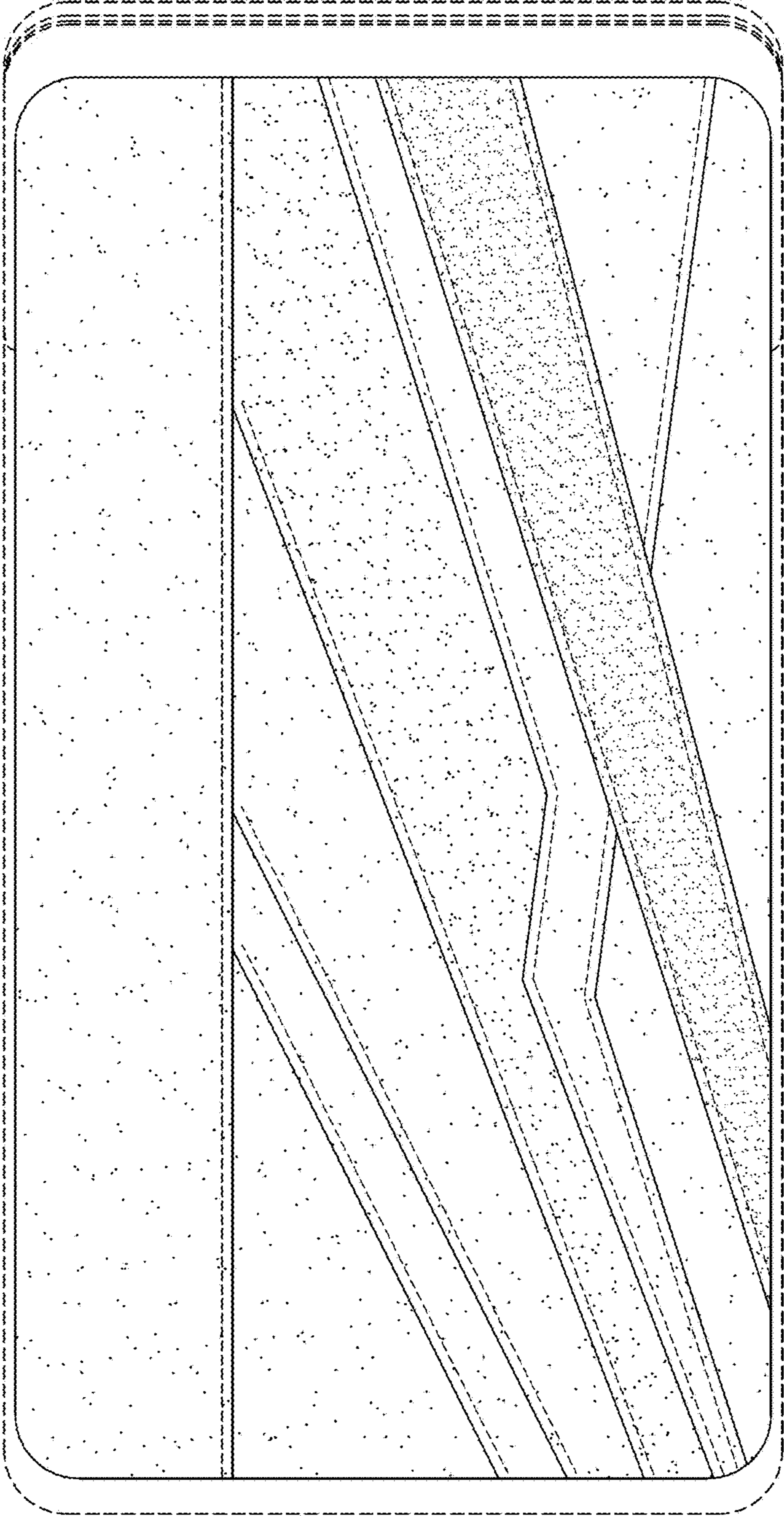


Fig-2

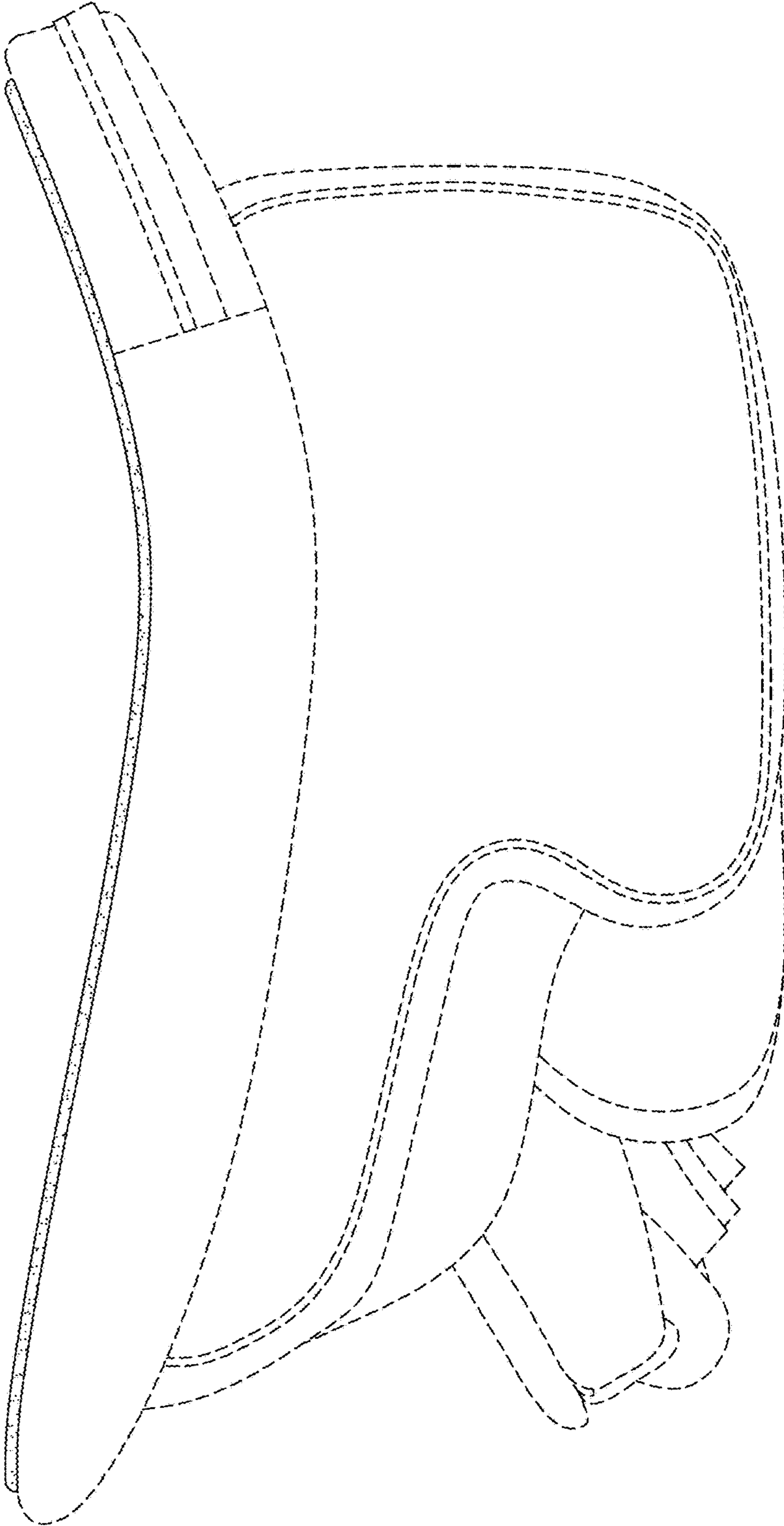


Fig-3

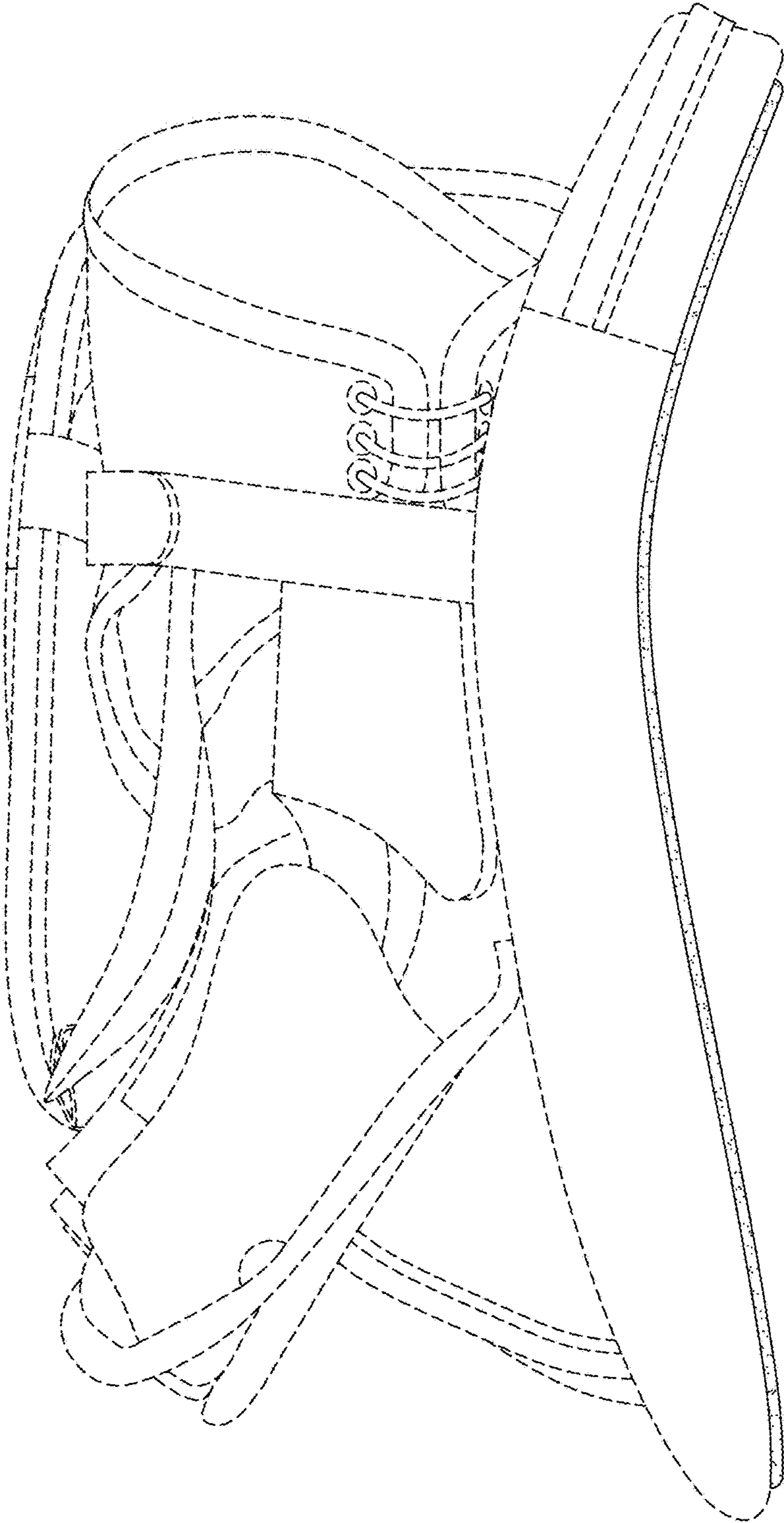


FIG-4

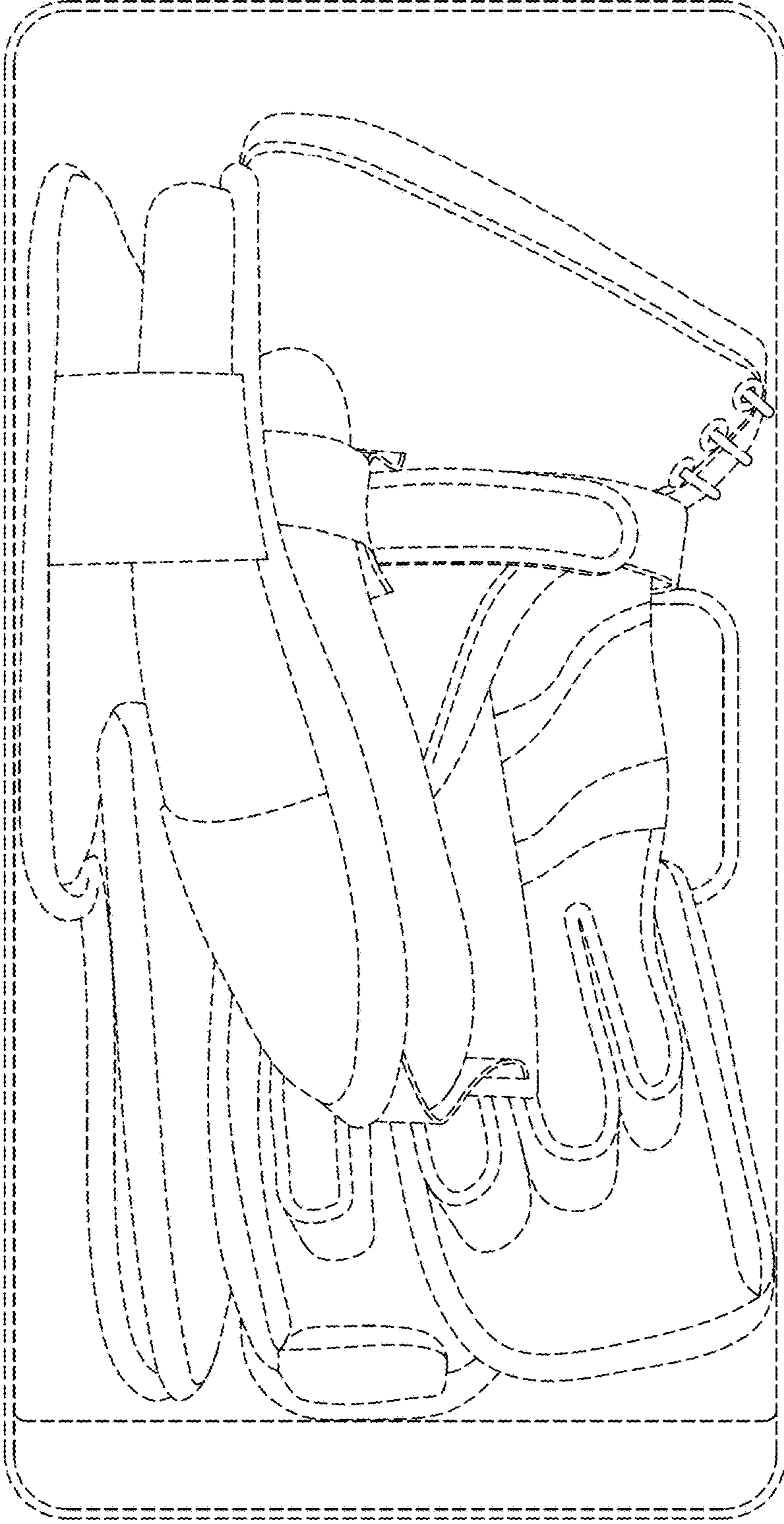


FIG. 5

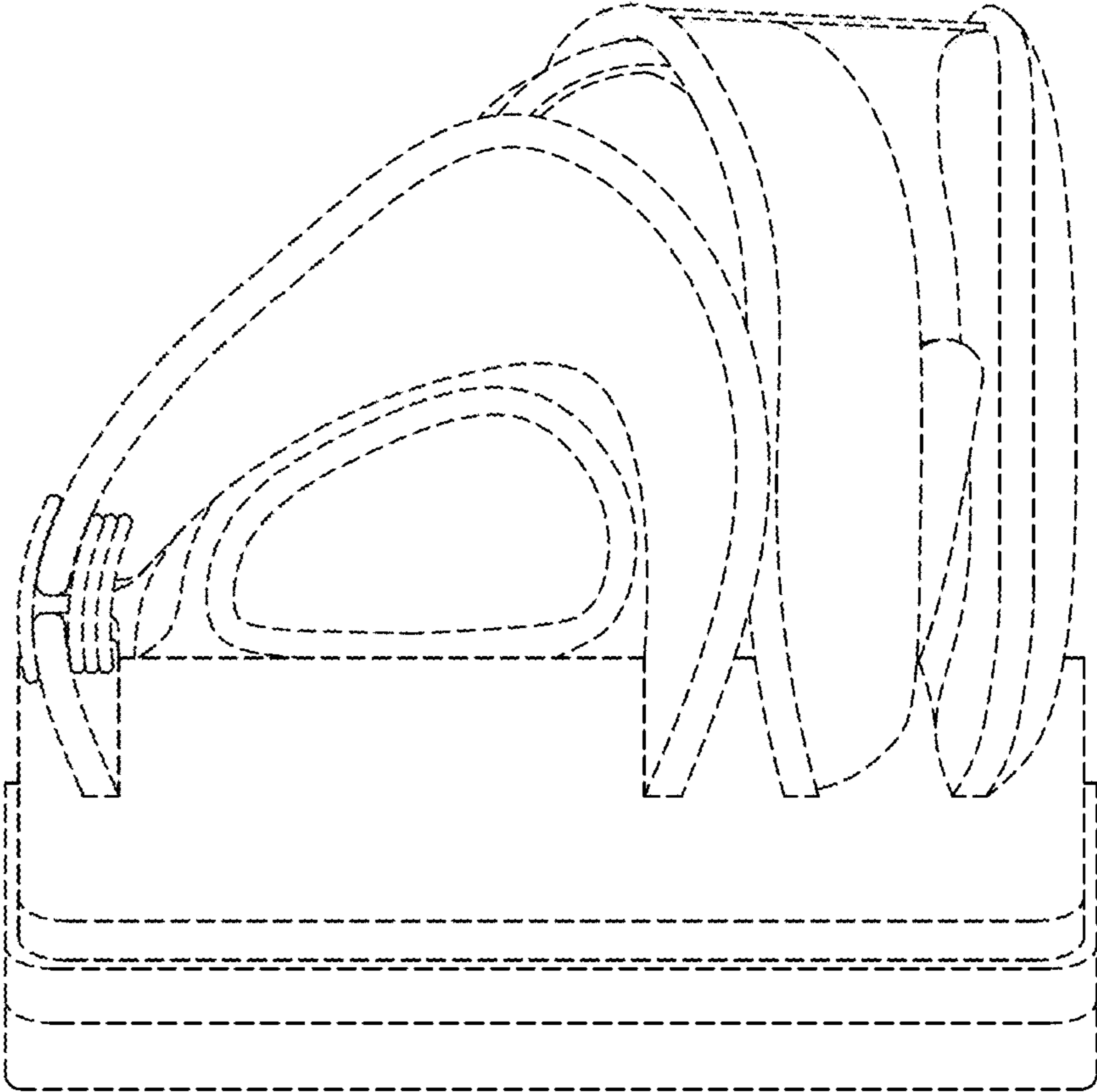


Fig. 6

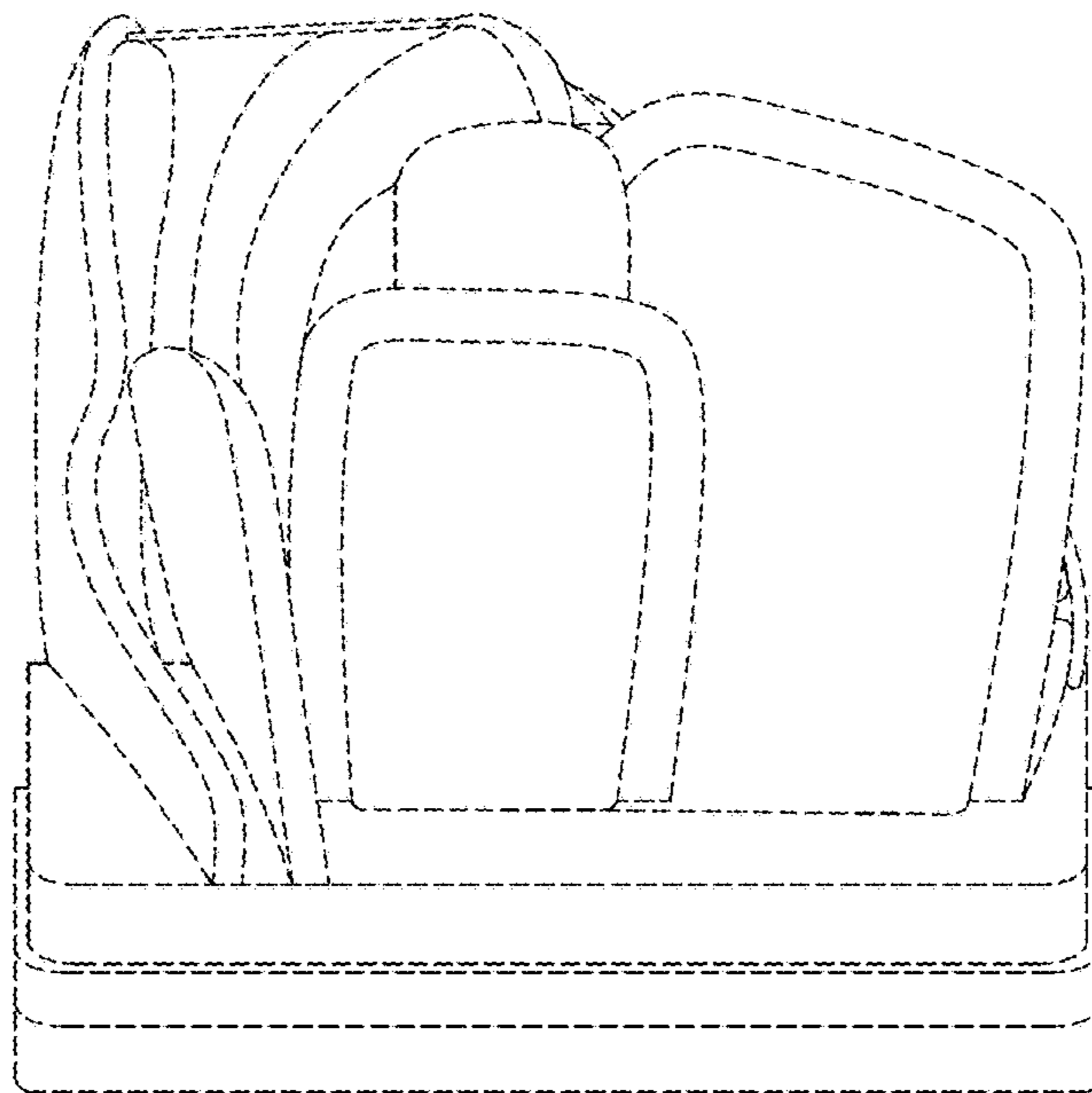


FIG-7