

US00D806953S

(12) **United States Design Patent**
Nguyen

(10) **Patent No.:** **US D806,953 S**
(45) **Date of Patent:** **** Jan. 2, 2018**

(54) **BACK SCRATCHER HEAD**

(71) Applicant: **Phuong Nguyen**, San Diego, CA (US)

(72) Inventor: **Phuong Nguyen**, San Diego, CA (US)

(**) Term: **15 Years**

(21) Appl. No.: **29/568,407**

(22) Filed: **Jun. 17, 2016**

(51) **LOC (11) Cl.** **28-99**

(52) **U.S. Cl.**
USPC **D28/91.2; D28/22**

(58) **Field of Classification Search**
USPC D28/91.2, 22, 39-43; D8/13
CPC A61H 7/003
See application file for complete search history.

(56) **References Cited**

U.S. PATENT DOCUMENTS

D419,263 S *	1/2000	Chen	D28/22
D419,721 S *	1/2000	Chen	D28/22
D420,170 S *	2/2000	Chen	D28/22
D688,009 S *	8/2013	Mahoney, Jr.	D28/91.2

OTHER PUBLICATIONS

Google image search for "dog shaped backscratcher," www.etsy.com, 1 page, downloaded May 1, 2017.*
Rivers Edge Products Bear Paw Back Scratcher, www.amazon.com, 1 page, downloaded May 1, 2017.*
Basswood Cat Back Scratchers, www.amazon.com, 1 page, downloaded May 1, 2017.*

* cited by examiner

Primary Examiner — Jennifer Rivard

(74) *Attorney, Agent, or Firm* — Charmasson, Buchaca & Leach, LLP

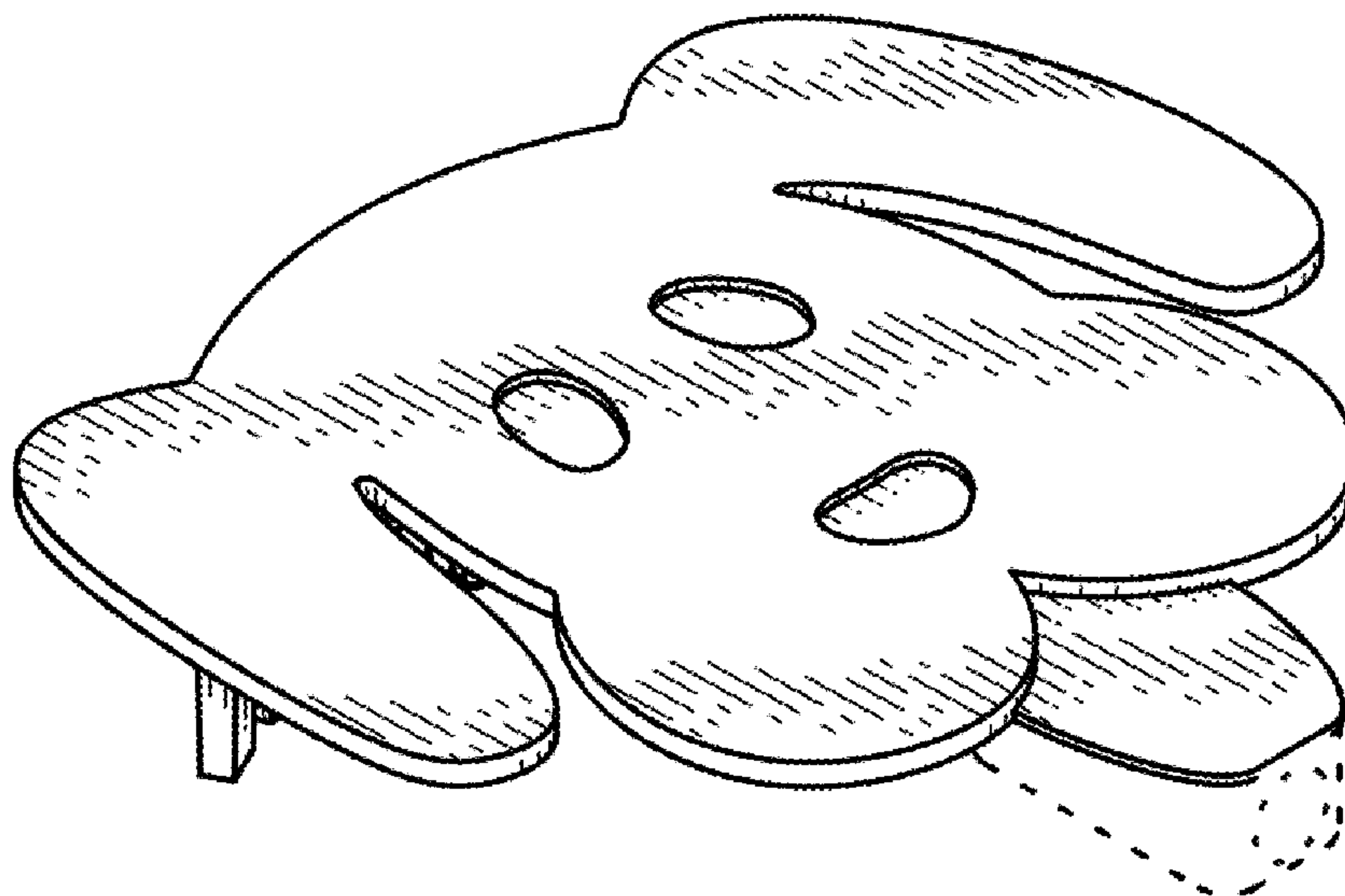
(57) **CLAIM**

The ornamental design for a back scratcher head, as shown and described.

DESCRIPTION

FIG. 1 is a front, bottom, and right side perspective view of a back scratcher head showing my new design in which the connector structure does not form part of the claimed design; FIG. 2 is a back, top and left side perspective view thereof; FIG. 3 is a back elevation view thereof; FIG. 4 is a front elevation view thereof; FIG. 5 is a bottom plan view thereof; FIG. 6 is a top plan view thereof; FIG. 7 is a left side elevation view thereof; and, FIG. 8 is a right side elevation view thereof. FIG. 9 is a front, bottom, and right side perspective view of a back scratcher head showing my new design in which the connector structure does form part of the claimed design; FIG. 10 is a back, top and left side perspective view thereof; FIG. 11 is a back elevation view thereof; FIG. 12 is a front elevation view thereof; FIG. 13 is a bottom plan view thereof; FIG. 14 is a top plan view thereof; FIG. 15 is a left side elevation view thereof; and, FIG. 16 is a right side elevation view thereof. The broken lines in FIGS. 1, 2, 3, 5, 7, and 8 illustrate the connector structure of the back scratcher head. The broken lines in FIGS. 9, 10, and 13 illustrate a portion of the connector structure of the back scratcher head. The broken lines form no part of the claimed design.

1 Claim, 2 Drawing Sheets



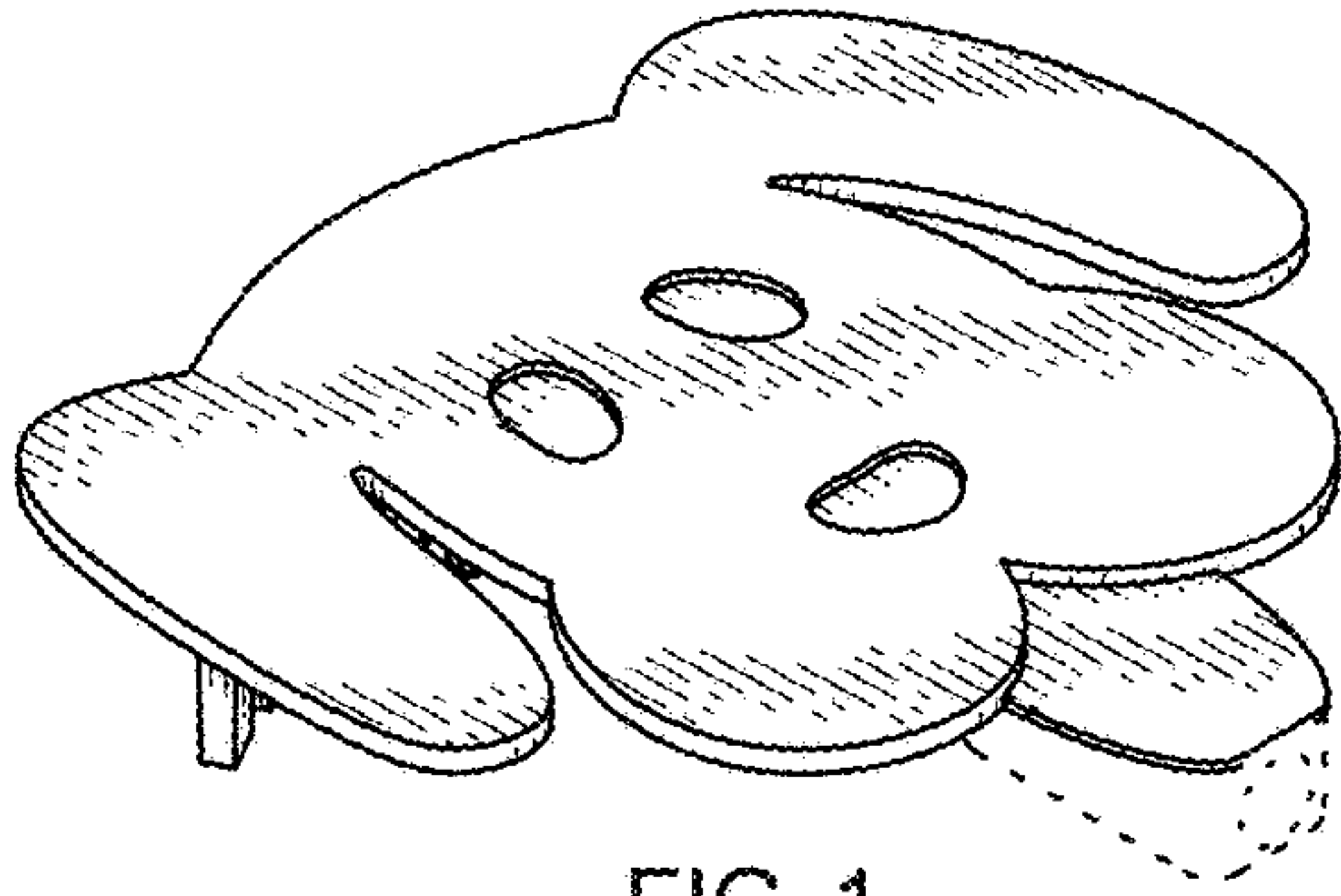


FIG. 1

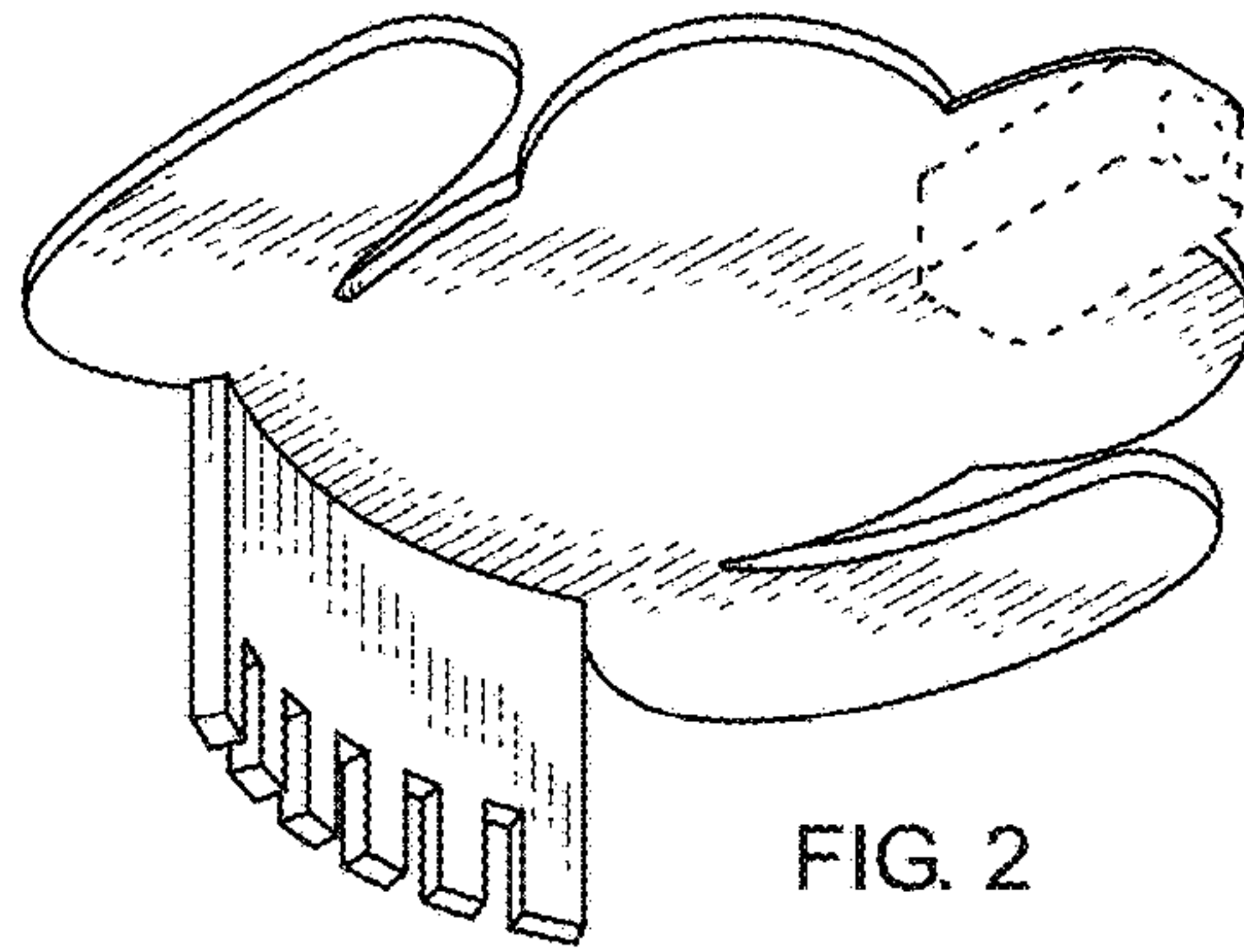


FIG. 2

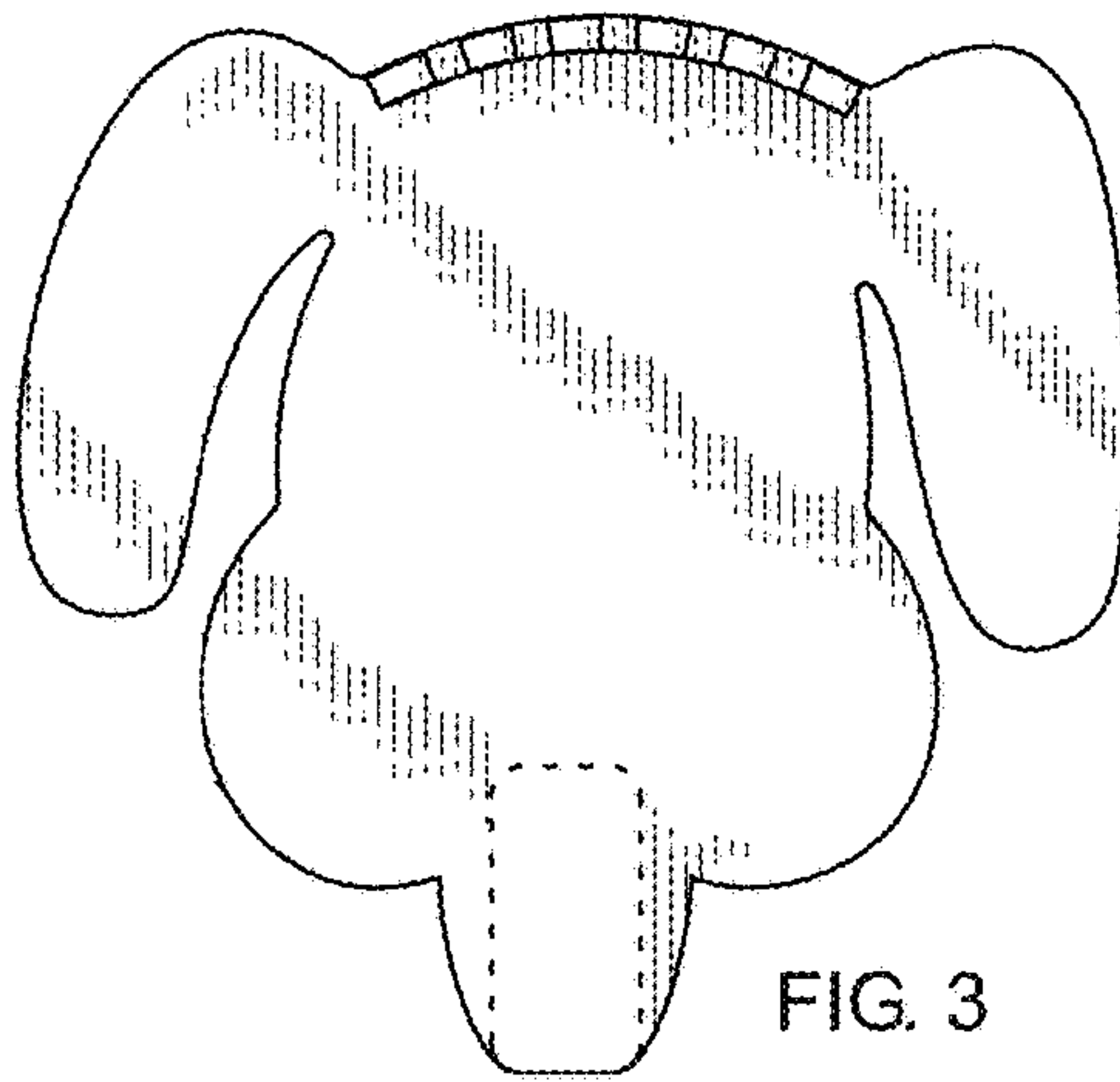


FIG. 3

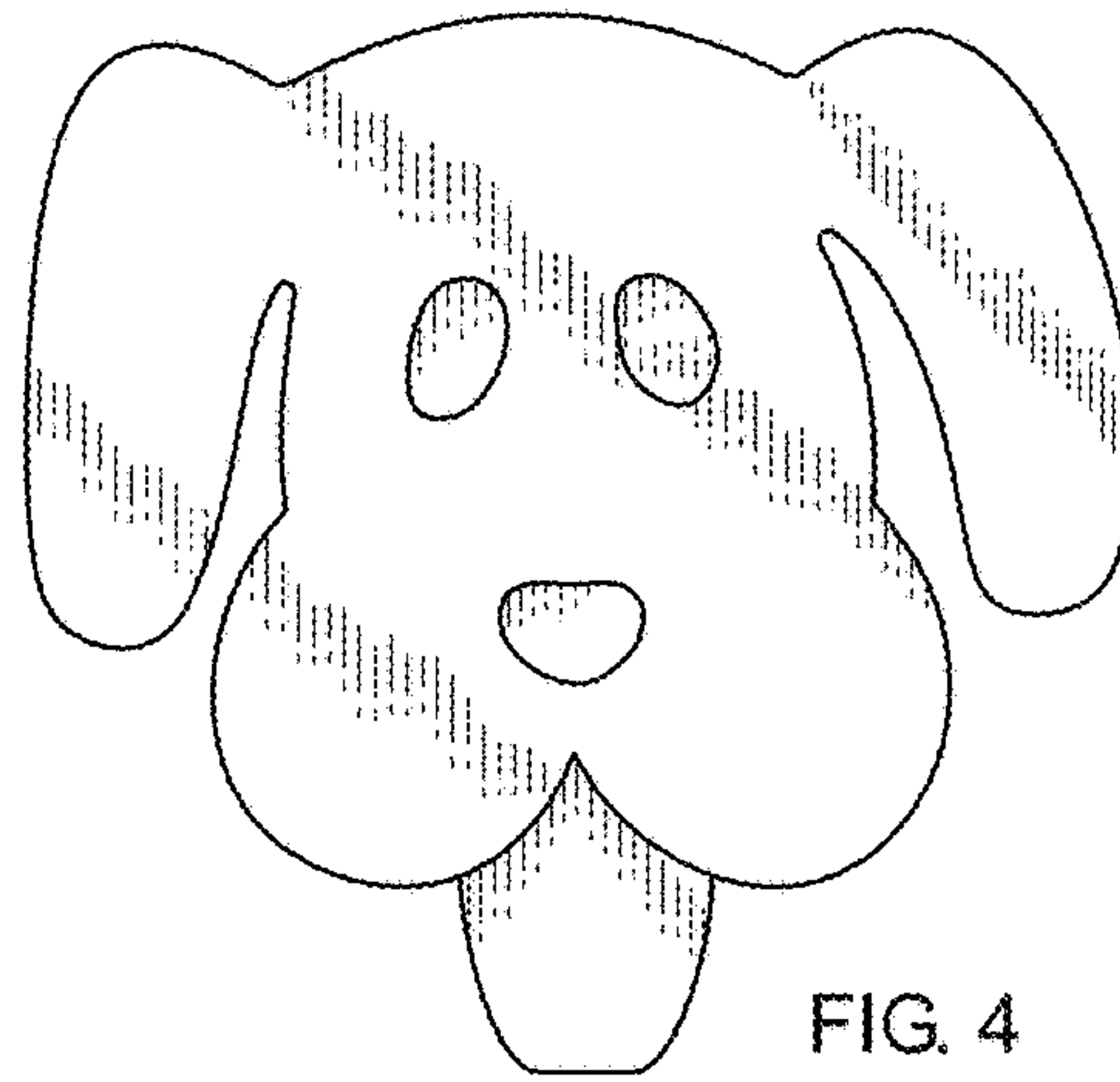


FIG. 4

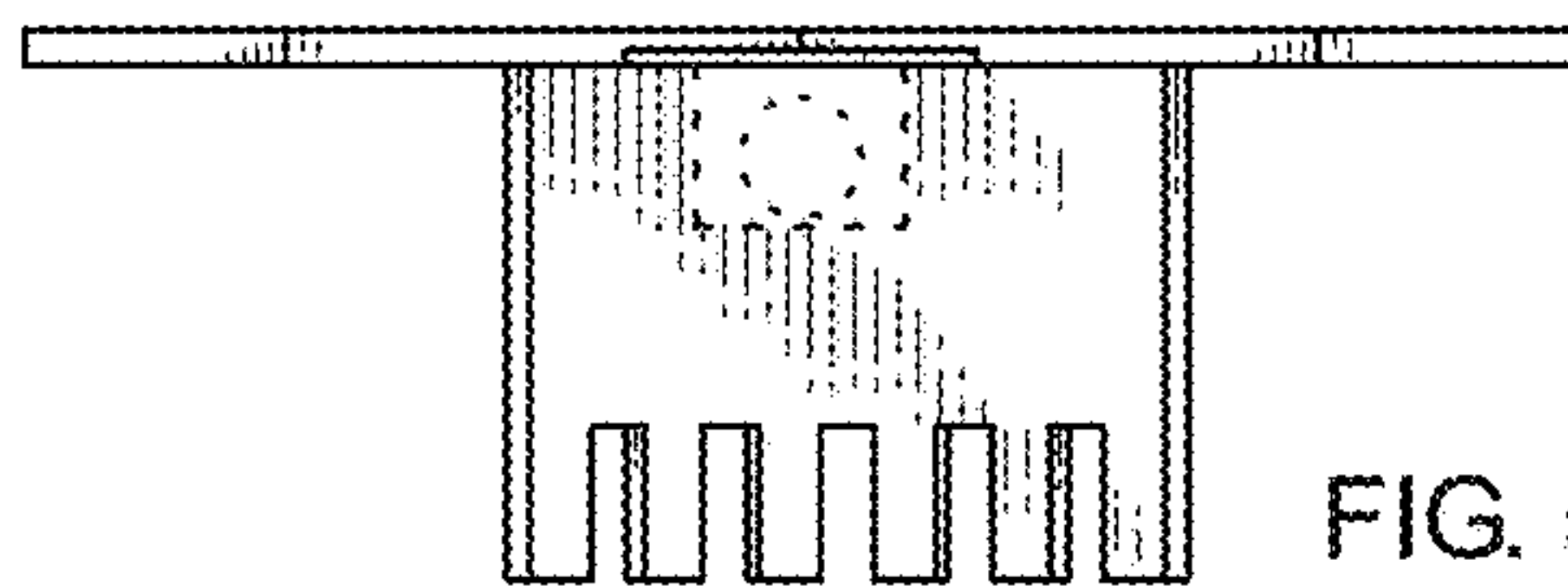


FIG. 5

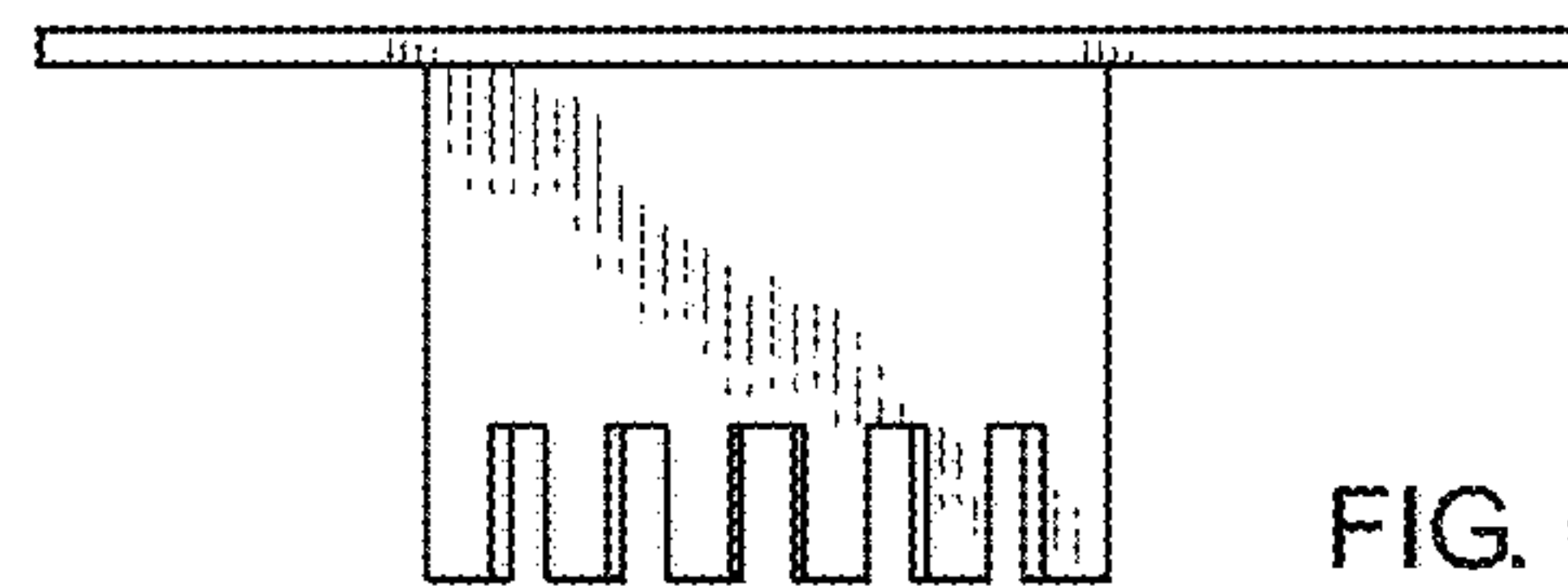


FIG. 6

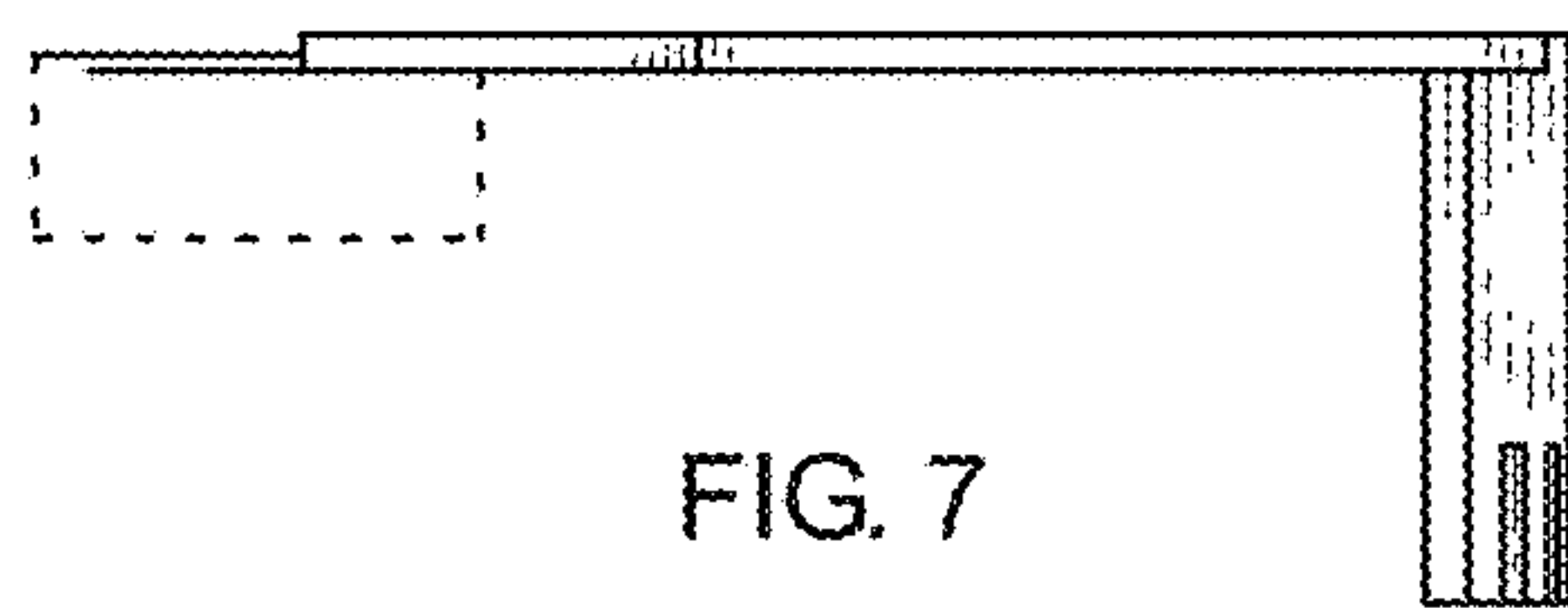


FIG. 7

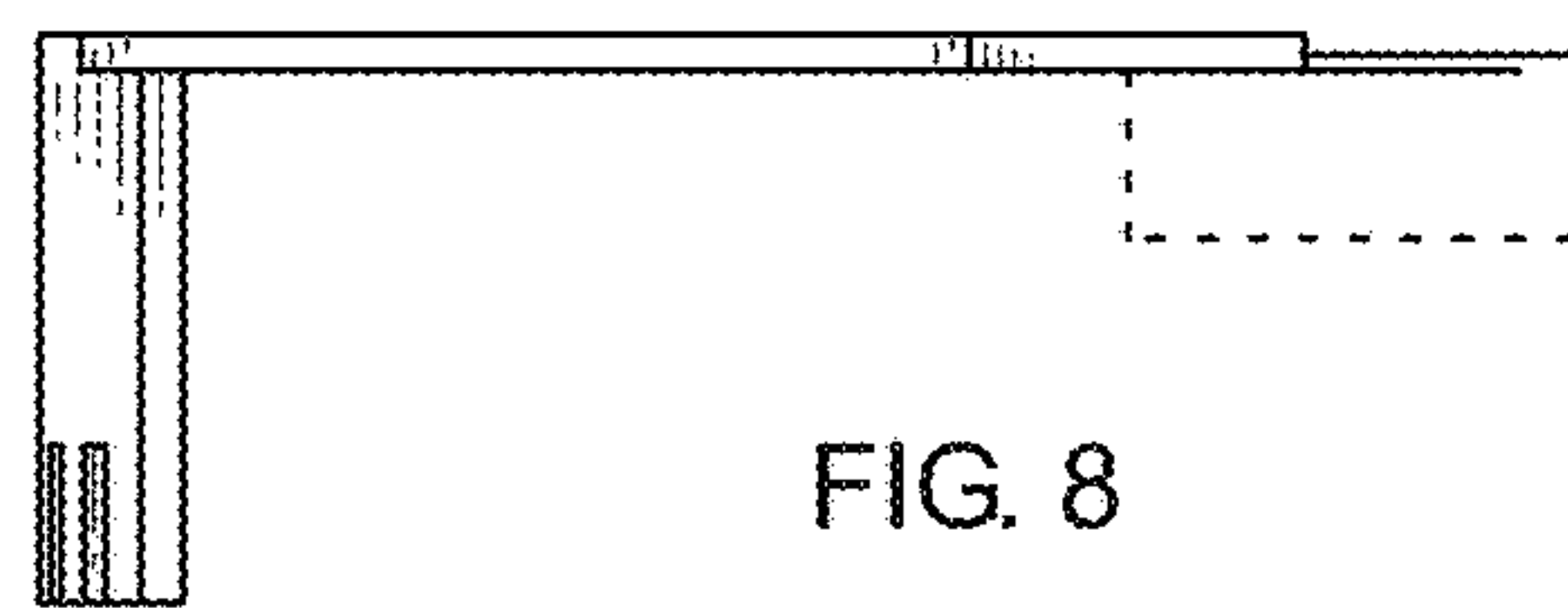


FIG. 8

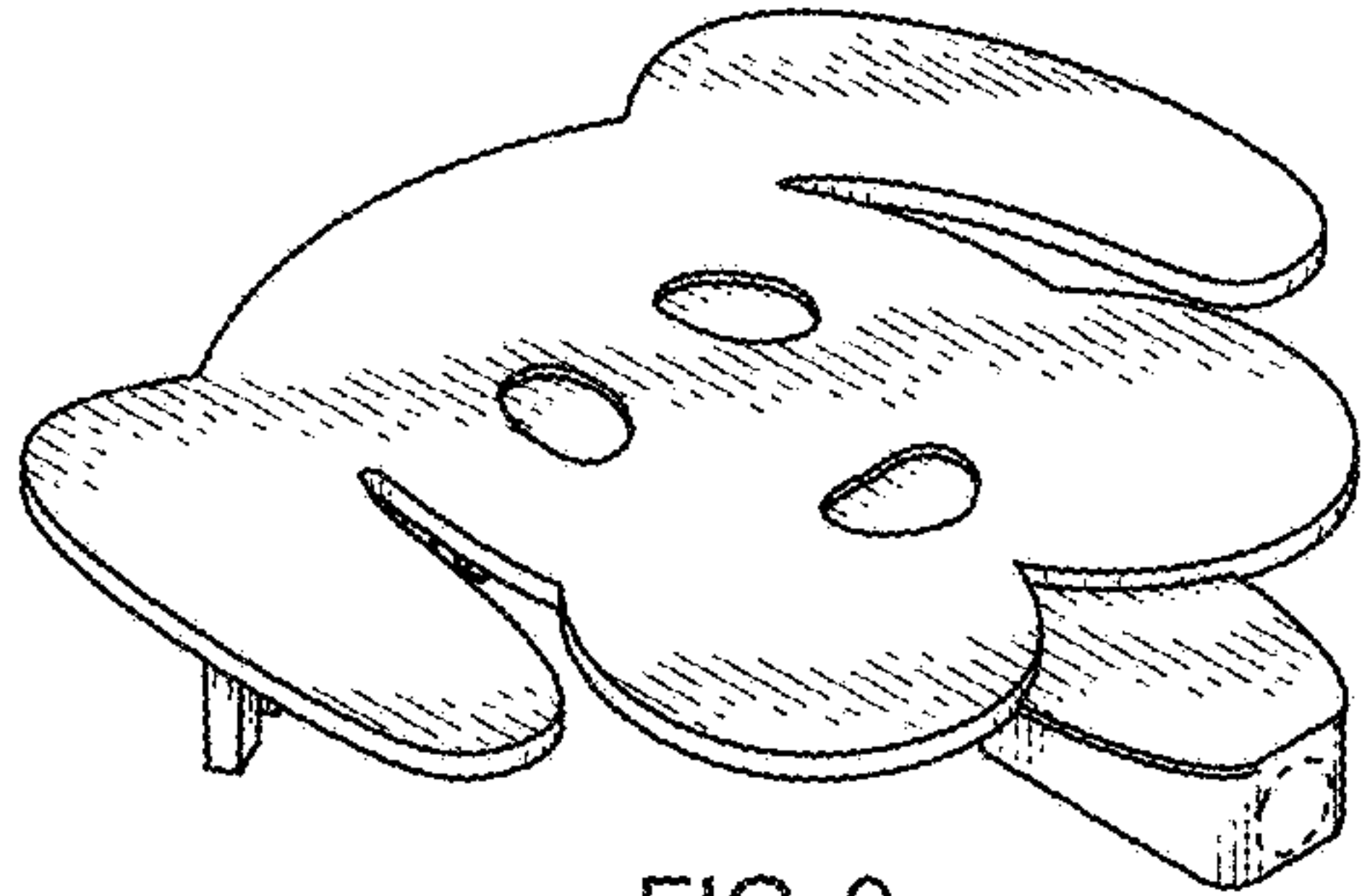


FIG. 9

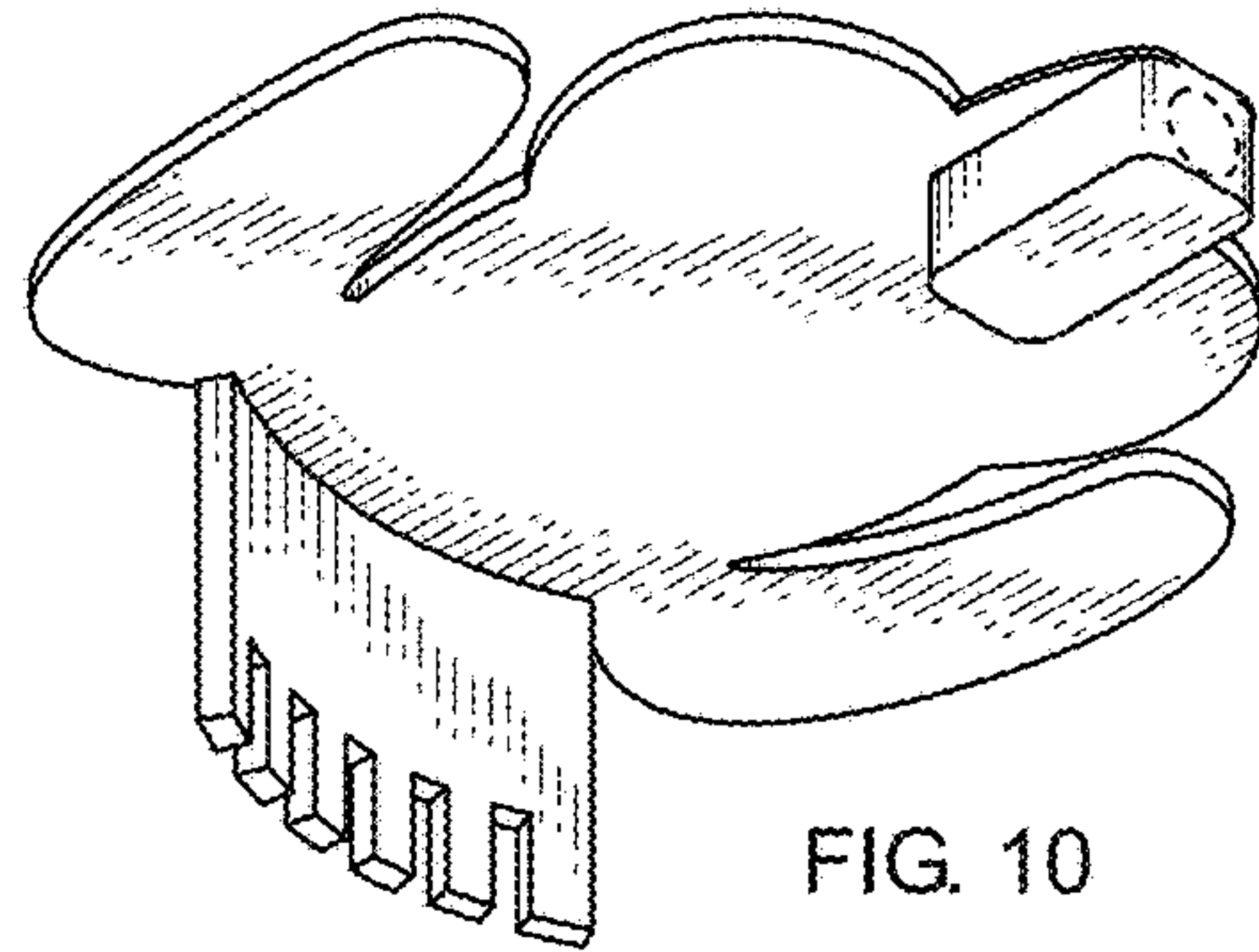


FIG. 10

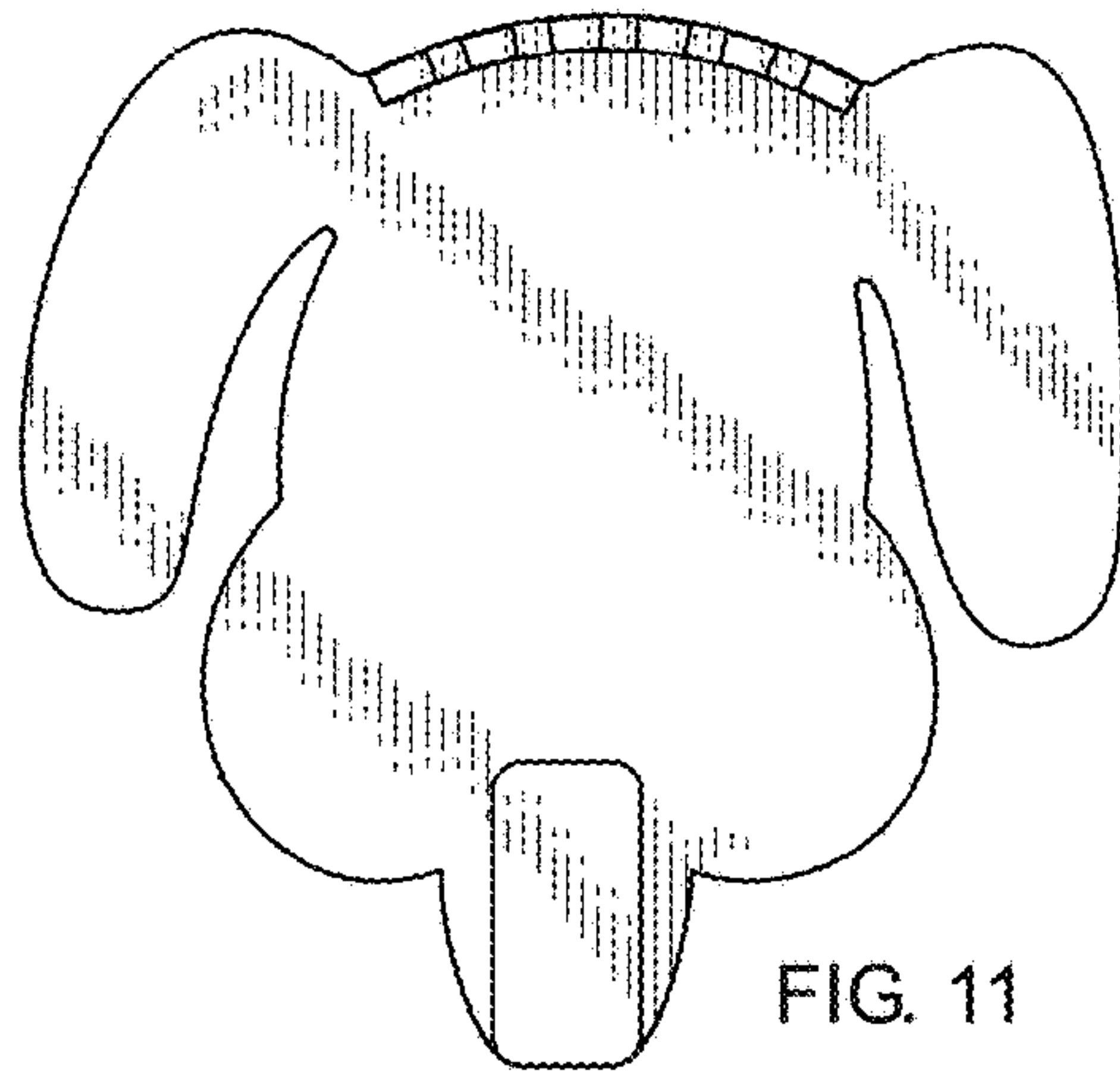


FIG. 11

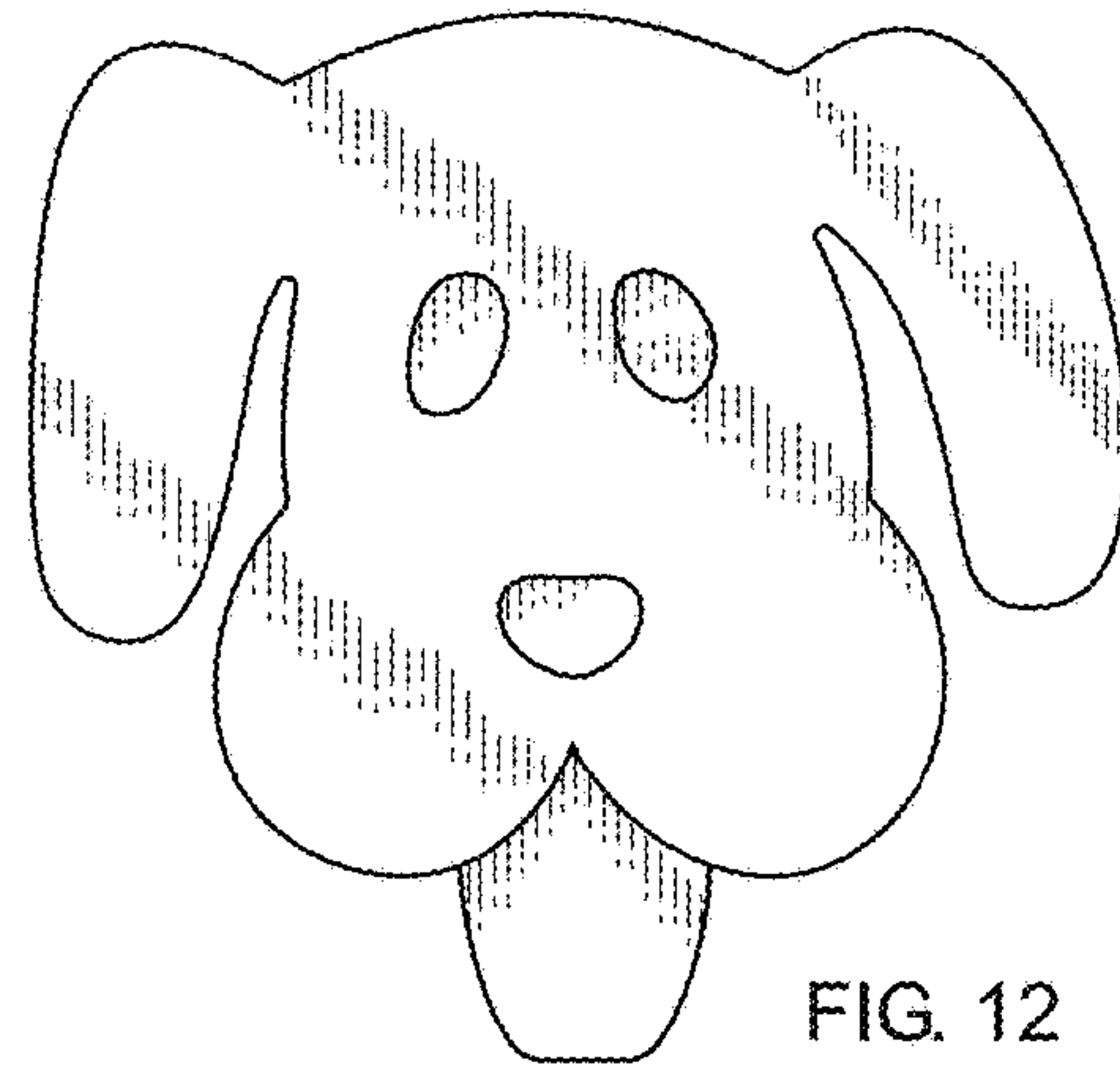


FIG. 12

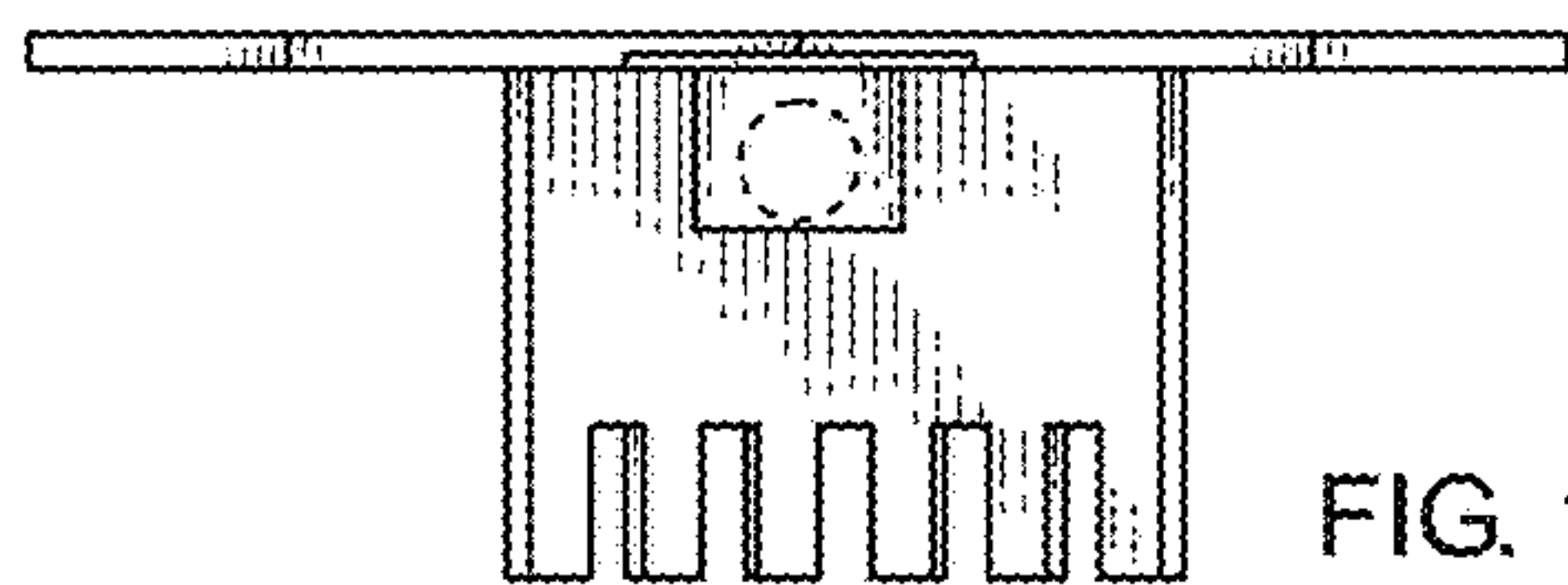


FIG. 13

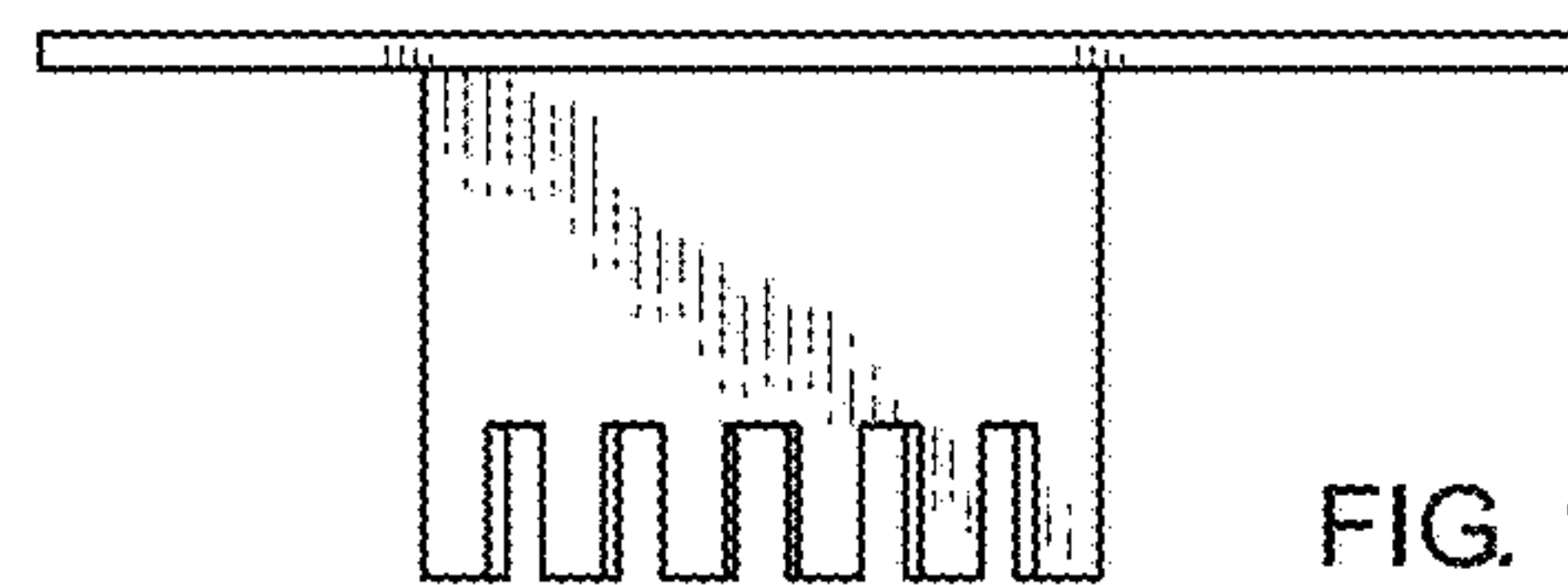


FIG. 14

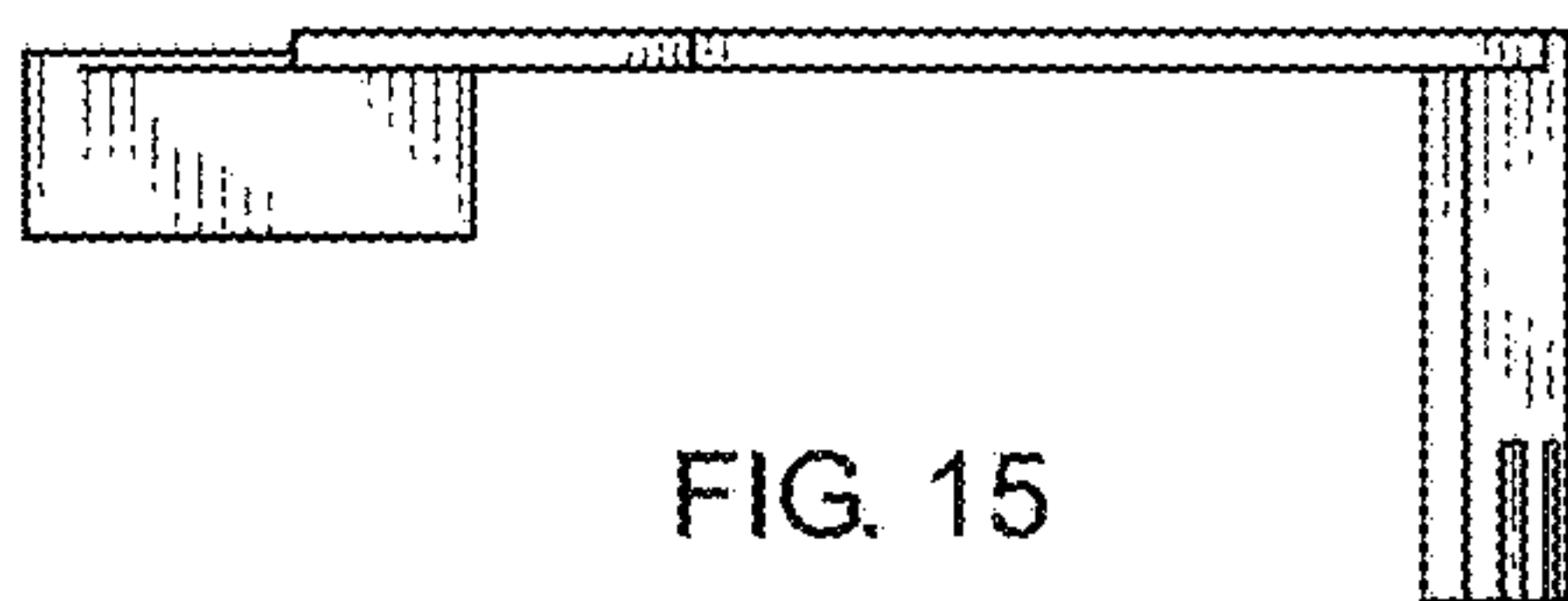


FIG. 15

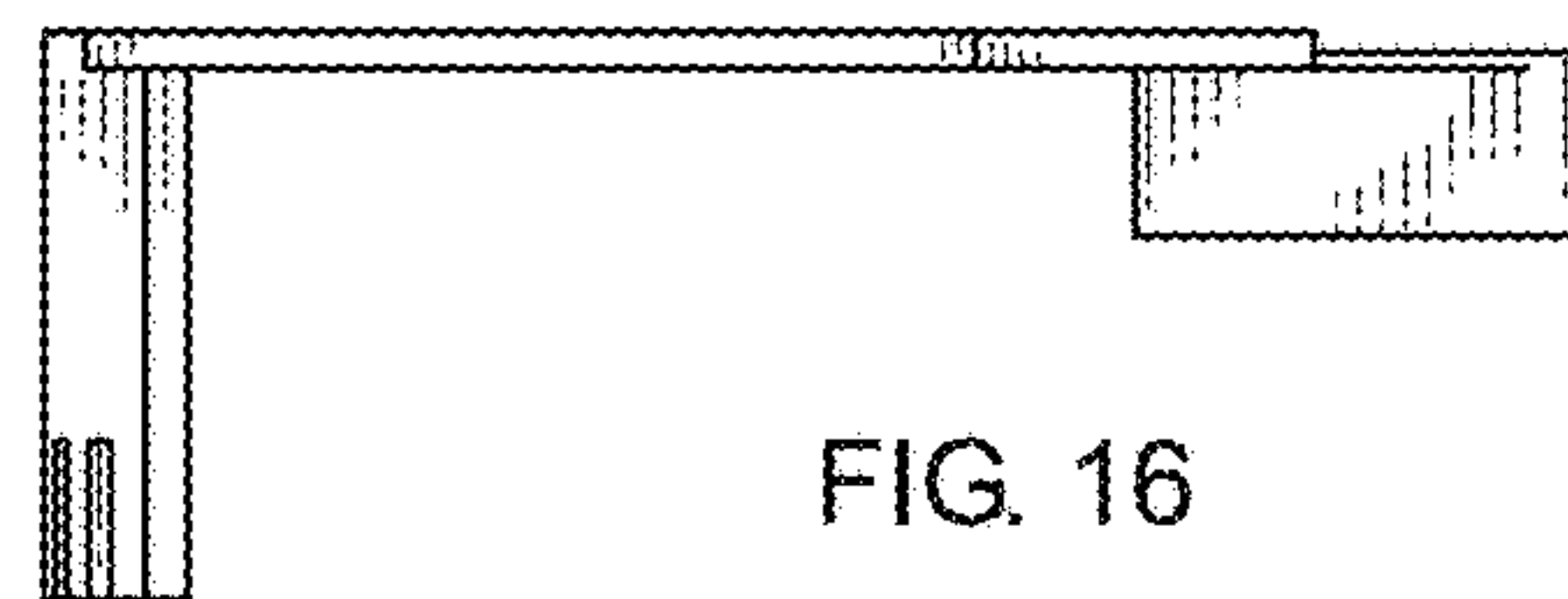


FIG. 16