

US00D806951S

(12) **United States Design Patent**
Micinilio et al.

(10) **Patent No.:** **US D806,951 S**
(45) **Date of Patent:** **** Jan. 2, 2018**

- (54) **SAFETY RAZOR**
- (71) Applicant: **Edgewell Personal Care Brands, LLC**, Chesterfield, MO (US)
- (72) Inventors: **Gregg Micinilio**, Milford, CT (US);
Michael Morrow, Milford, CT (US)
- (73) Assignee: **Edgewell Personal Care Brands, LLC**, Chesterfield, MO (US)
- (**) Term: **15 Years**
- (21) Appl. No.: **29/577,730**
- (22) Filed: **Sep. 15, 2016**
- (51) **LOC (11) Cl.** **28-03**
- (52) **U.S. Cl.**
USPC **D28/46**
- (58) **Field of Classification Search**
USPC D28/44, 45-48
CPC B26B 21/00-21/06; B26B 21/08-21/4031;
B26B 21/4043; B26B 21/4062; B26B
21/4068-21/4075

See application file for complete search history.

- D612,102 S * 3/2010 Kling D28/48
- D626,692 S * 11/2010 Leventhal D28/44.1
- D627,102 S * 11/2010 Leventhal D28/44.1
- D635,301 S * 3/2011 Cormier D28/46
- D640,415 S 6/2011 Wonderley et al.
- D646,437 S * 10/2011 Leventhal D28/49
- D710,542 S * 8/2014 Eagleton D28/48
- D747,550 S * 1/2016 Eagleton D28/48
- D791,409 S * 7/2017 Eagleton D28/48
- 2004/0181954 A1 * 9/2004 Follo B26B 21/222
30/527
- 2011/0252646 A1 * 10/2011 Gordon B26B 21/225
30/47
- 2013/0061481 A1 * 3/2013 Cooney B26B 21/521
30/526
- 2014/0230257 A1 * 8/2014 Eagleton B26B 21/522
30/526
- 2016/0151924 A1 * 6/2016 Gers-Barlag B26B 21/52
30/34.05

* cited by examiner

Primary Examiner — Jennifer Rivard

(57) **CLAIM**

We claim the ornamental design for the safety razor, as shown and described.

DESCRIPTION

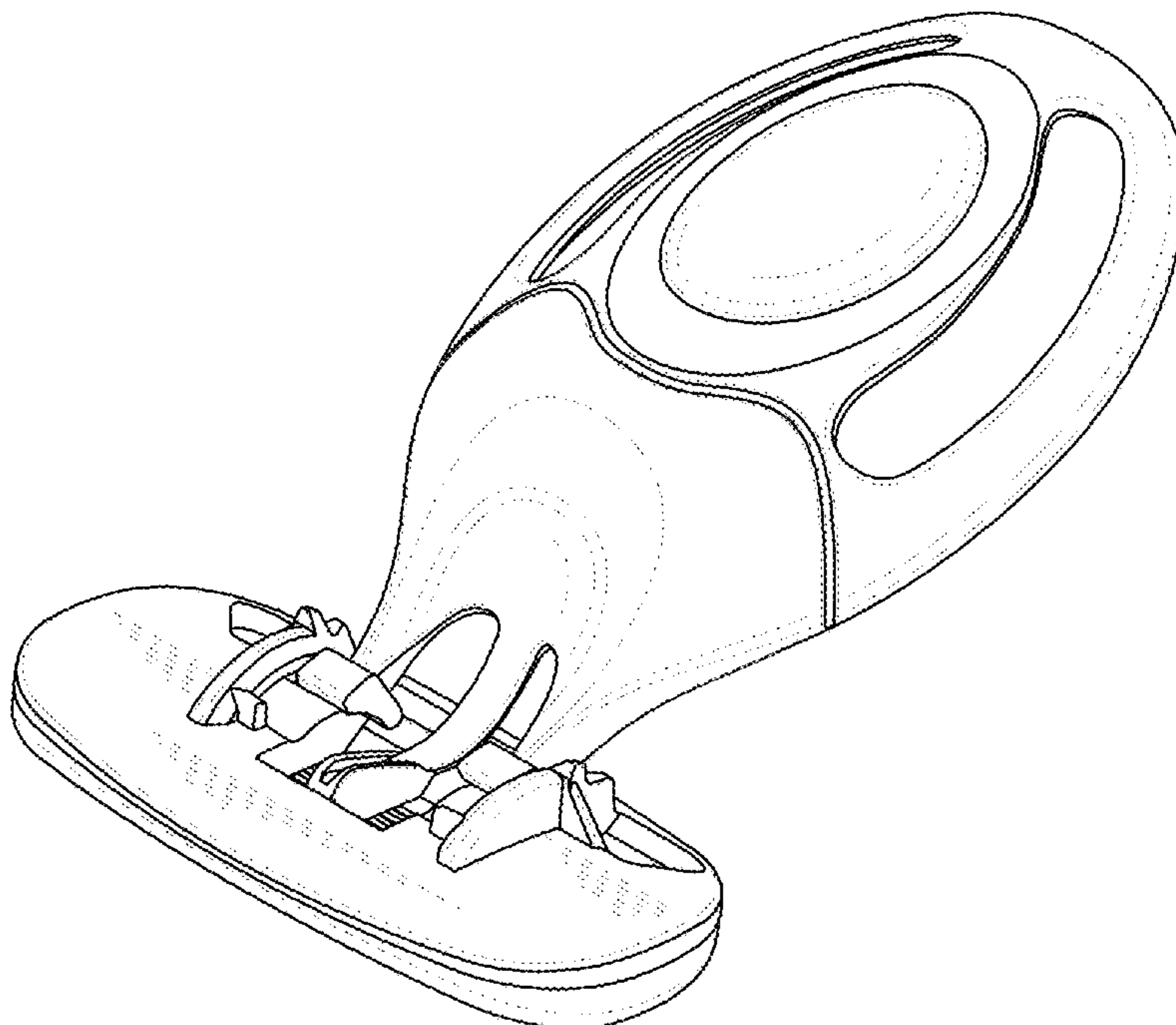
FIG. 1 is an upper perspective view of a safety razor.
 FIG. 2 is a lower perspective view thereof.
 FIG. 3 is a rear view thereof.
 FIG. 4 is a front view thereof.
 FIG. 5 is a left side view of FIG. 3.
 FIG. 6 is a right side view of FIG. 3.
 FIG. 7 is a top view thereof; and,
 FIG. 8 is a bottom view thereof.

1 Claim, 4 Drawing Sheets

(56) **References Cited**

U.S. PATENT DOCUMENTS

- 4,167,059 A 9/1979 Iten
- 5,157,835 A 10/1992 Lazarchik et al.
- D344,134 S * 2/1994 Dingelstad D28/10
- D346,880 S * 5/1994 Meisner D28/48
- D351,925 S * 10/1994 Meisner D28/48
- D352,568 S * 11/1994 Meisner D28/48
- D403,112 S * 12/1998 Engel D28/46
- D607,151 S * 12/2009 Kling D28/48



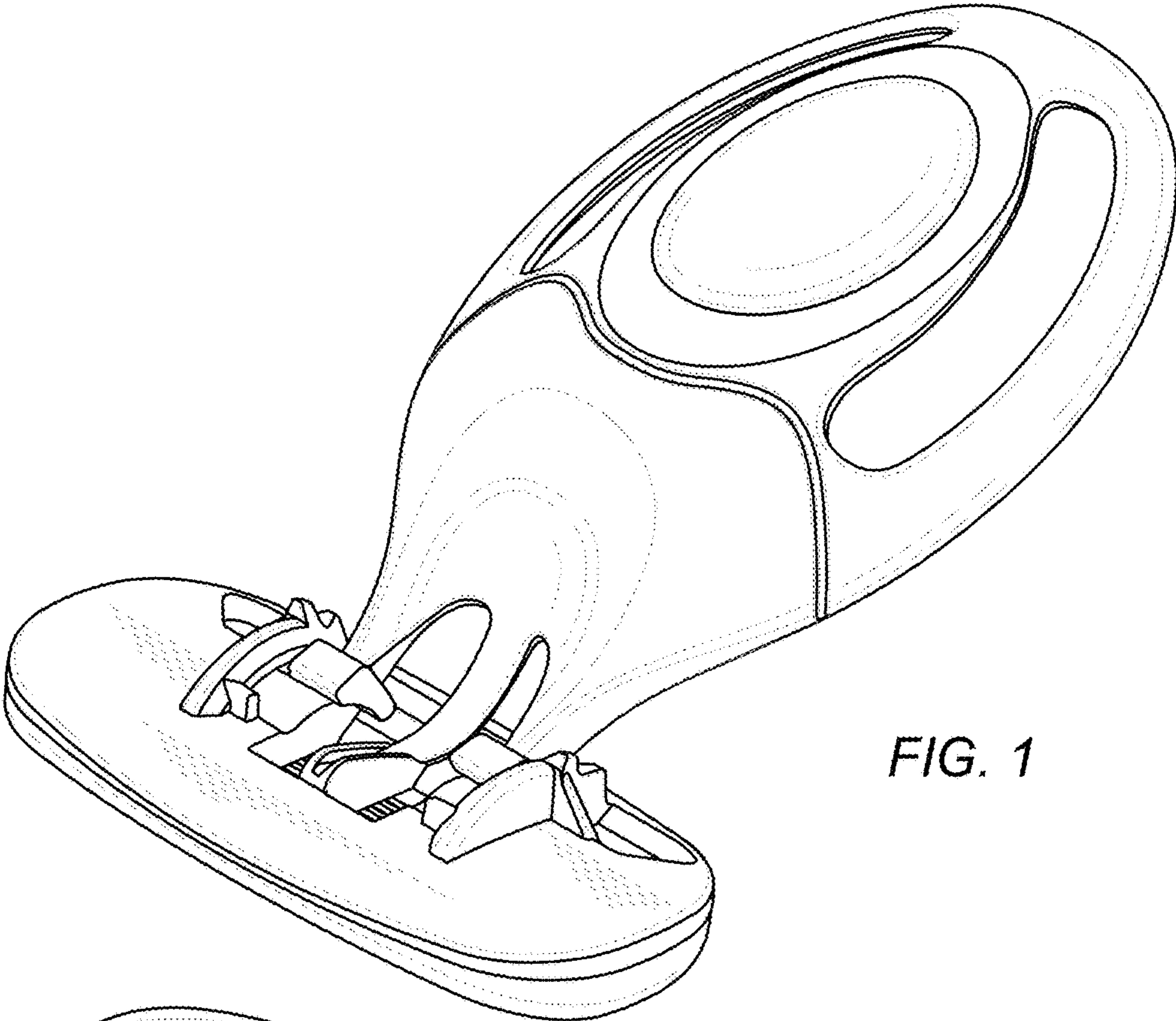


FIG. 1

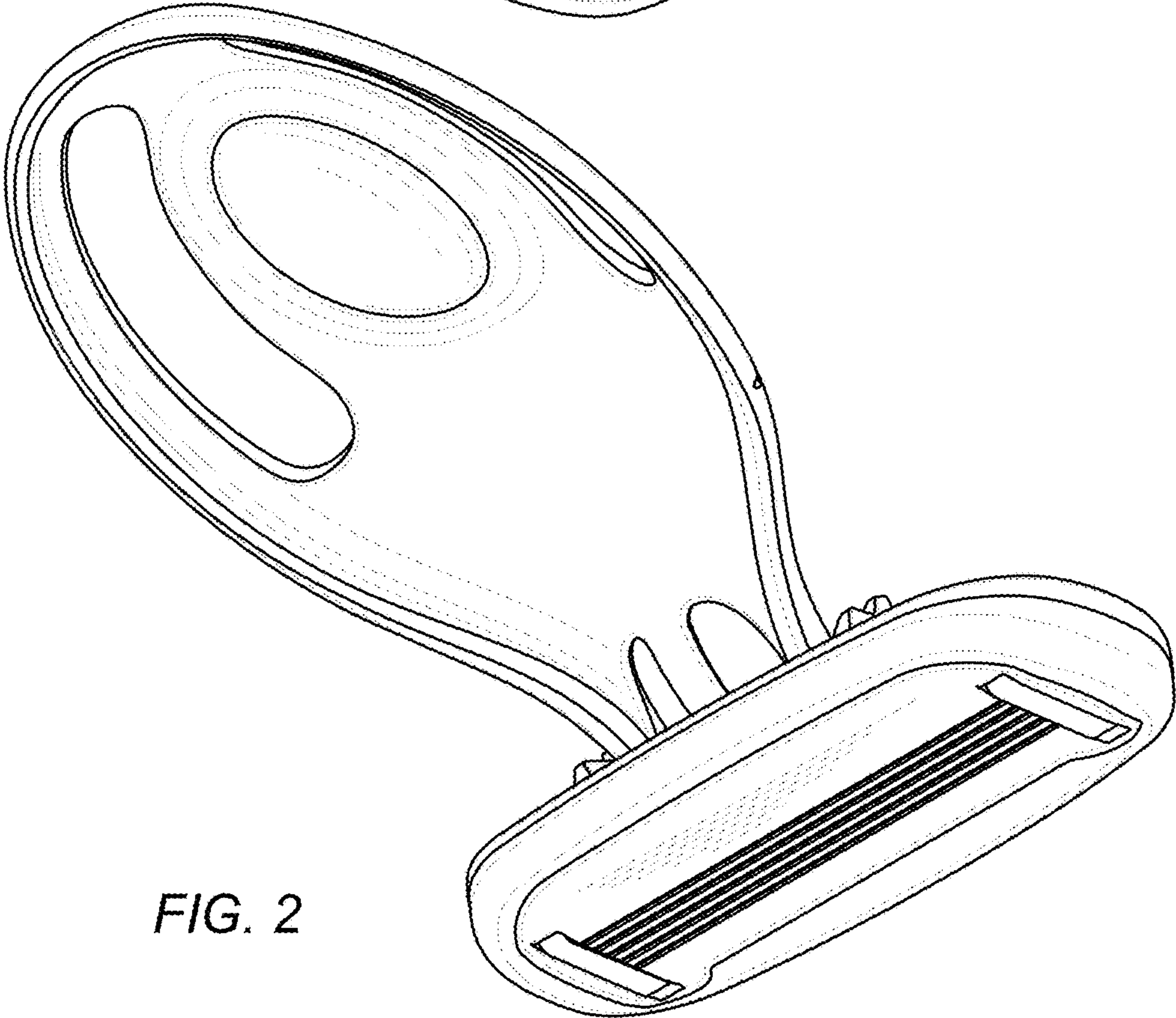


FIG. 2

FIG. 4

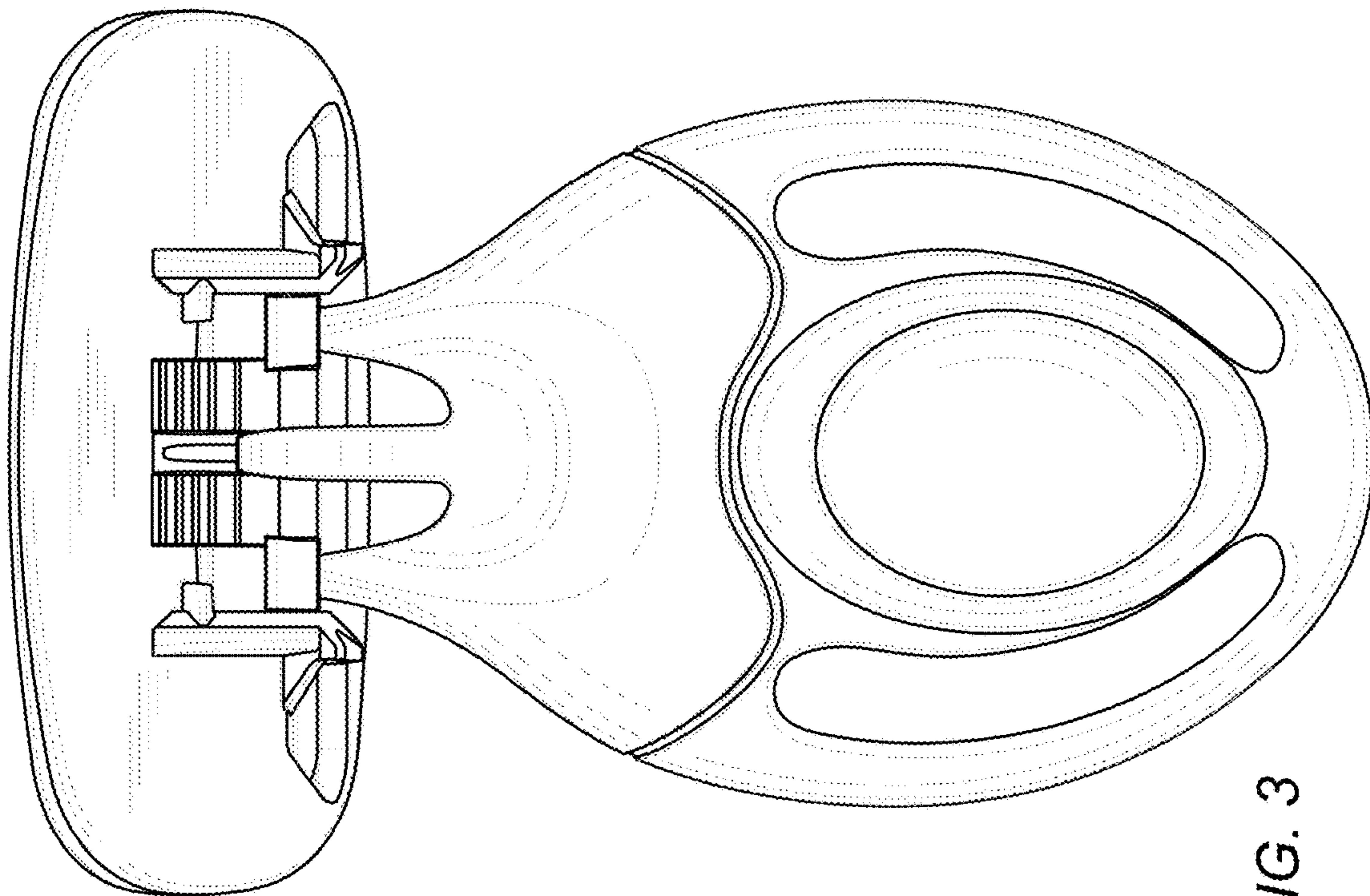
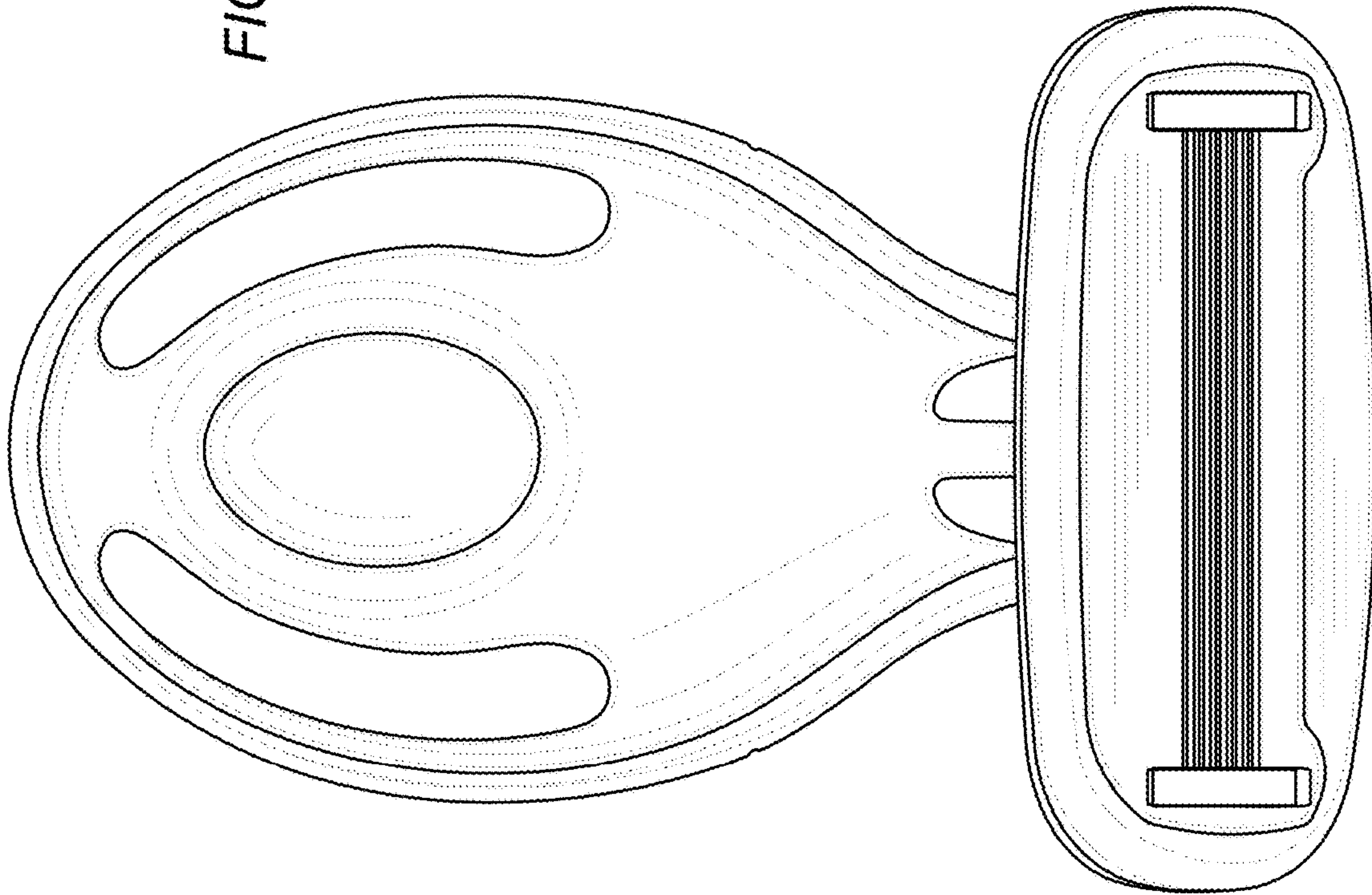


FIG. 3

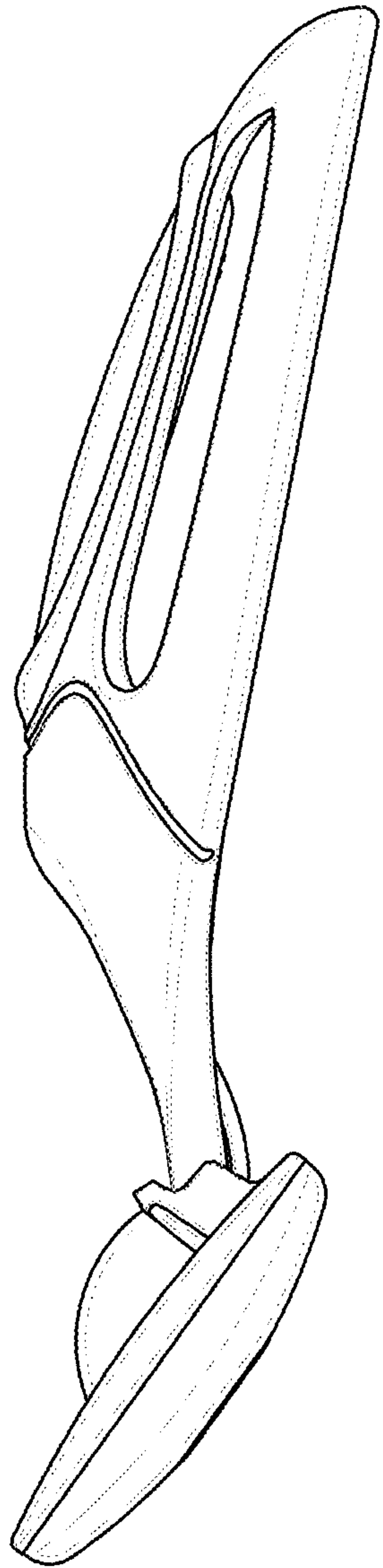


FIG. 5

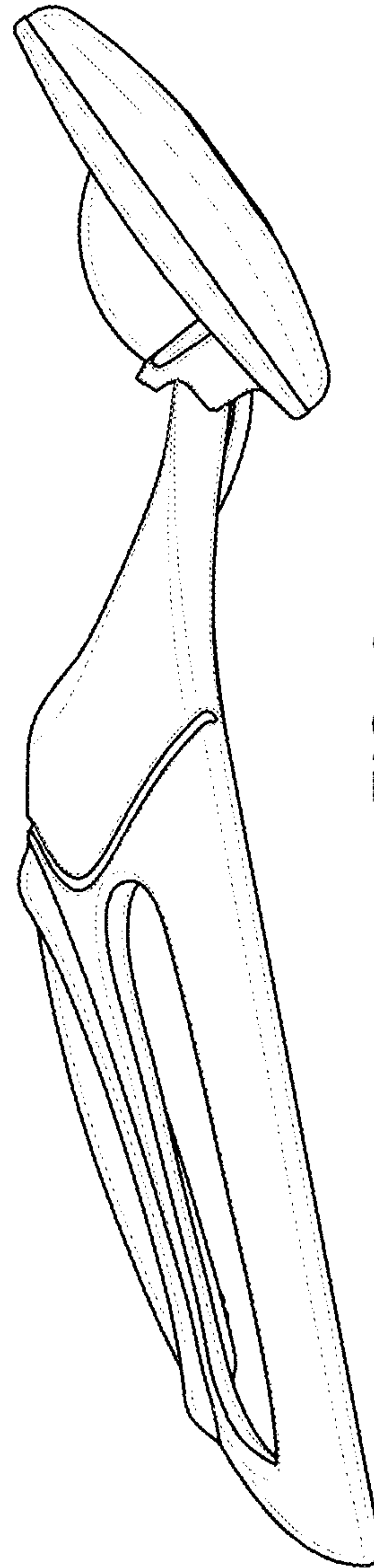


FIG. 6

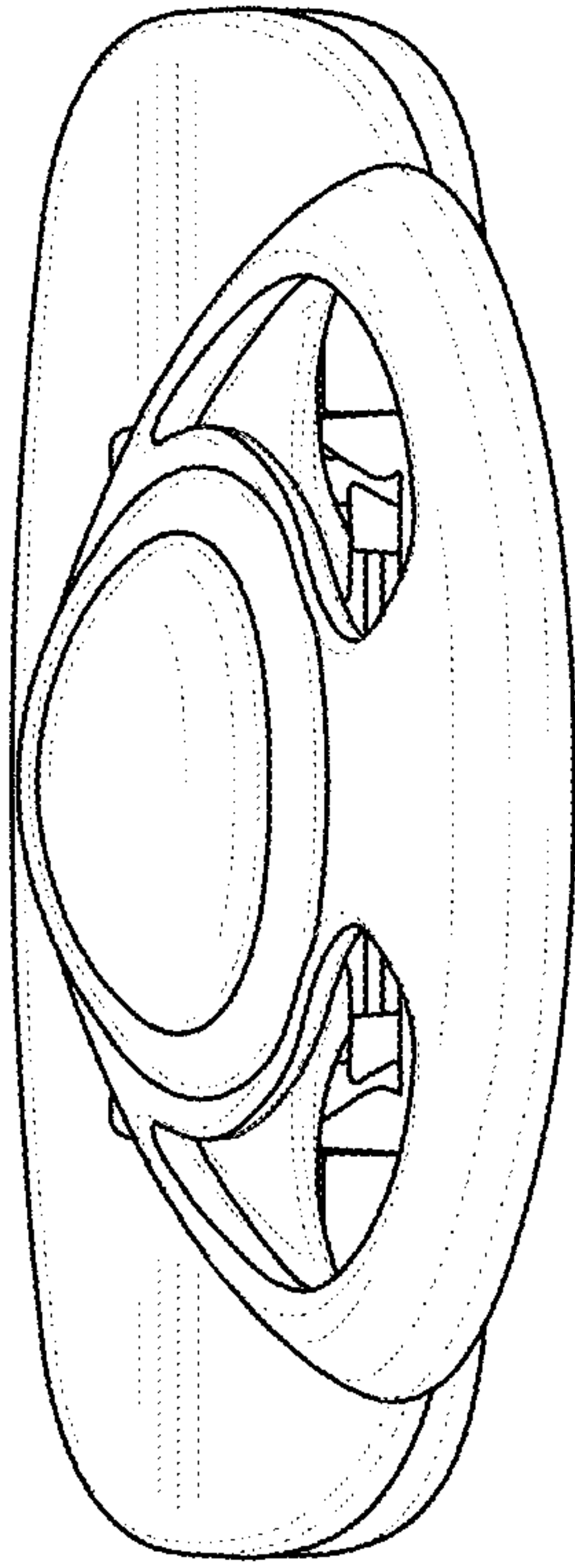


FIG. 8

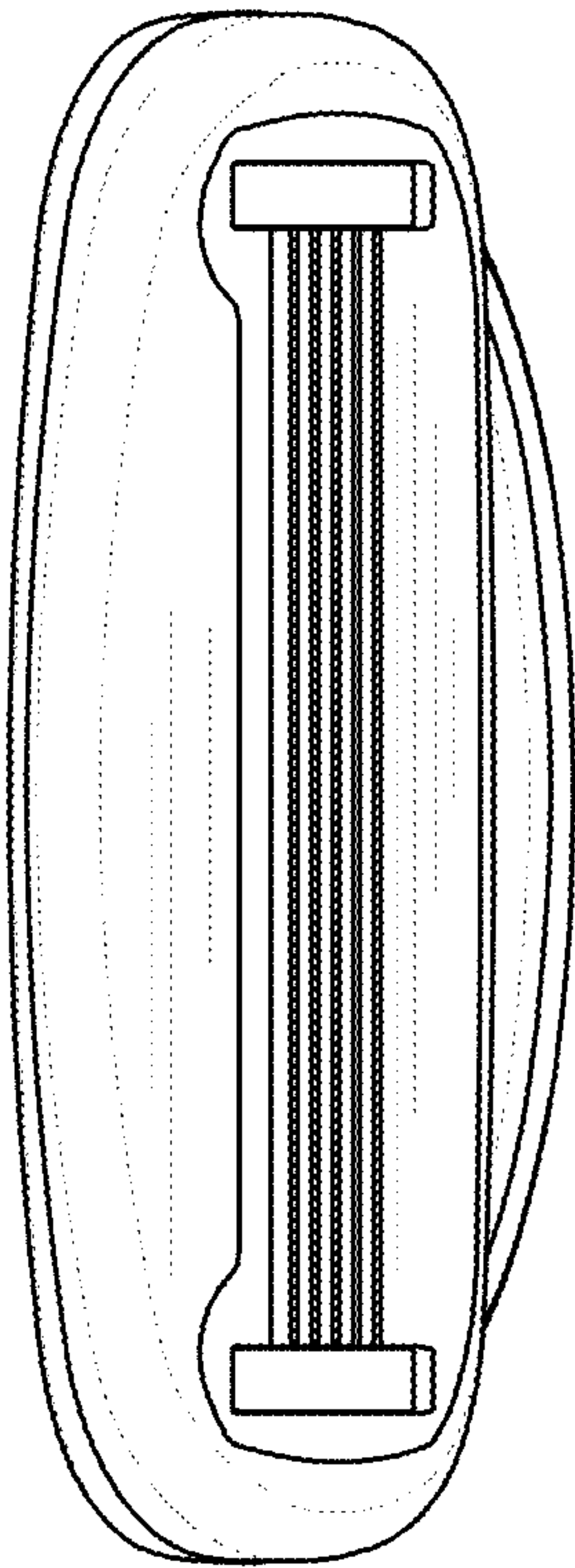


FIG. 7