



US00D806945S

(12) **United States Design Patent** (10) **Patent No.:** **US D806,945 S**
Lepper (45) **Date of Patent:** **** Jan. 2, 2018**

(54) **WATER PIPE**
(71) Applicant: **Clifford Lepper**, Los Angeles, CA (US)
(72) Inventor: **Clifford Lepper**, Los Angeles, CA (US)
(**) Term: **15 Years**
(21) Appl. No.: **29/549,109**
(22) Filed: **Dec. 18, 2015**
(51) **LOC (11) Cl.** **27-02**
(52) **U.S. Cl.**
USPC **D27/163**
(58) **Field of Classification Search**
USPC D7/584, 585; D9/500, 502; D11/143,
D11/144, 146, 152; D24/110.5; D26/2;
D27/100, 101, 106, 143, 152, 172, 183,
D27/187, 189, 190, 193, 194, 162-171;
131/220-222, 126, 173, 174, 194,
131/329-330
CPC A24F 1/02; A24F 1/04; A24F 1/06; A24F
1/08; A24F 1/10; A24F 1/12; A24F 1/14;
A24F 1/22; A24F 1/28; A24F 1/30; A24F
9/10; A24F 47/002; A24F 47/00
See application file for complete search history.

RE36,523 E * 1/2000 Newman A24F 1/30
D27/162
D443,103 S * 5/2001 Neason D27/162
D535,038 S * 1/2007 Egawa D26/2
D538,953 S * 3/2007 Mama D26/2
7,404,405 B1 7/2008 Mehio
D637,445 S * 5/2011 Chung D7/312
D649,700 S * 11/2011 Mehio D27/162
D649,701 S * 11/2011 Mehio D27/162
D649,702 S * 11/2011 Mehio D27/162
D649,703 S * 11/2011 Mehio D27/162
D688,395 S * 8/2013 Bukkems D26/2
D697,410 S * 1/2014 Glasman D9/439
D702,862 S * 4/2014 Bukkems D26/2
D729,975 S * 5/2015 Mehio D27/162
D731,705 S * 6/2015 Nadeem D27/162
D735,905 S * 8/2015 Wang D26/2
D745,995 S * 12/2015 Albathe D27/162
D779,087 S * 2/2017 Alexander D26/2

* cited by examiner

Primary Examiner — Eric Goodman
Assistant Examiner — Jennifer Wright

(57) **CLAIM**

The ornamental design for a water pipe, as shown and described.

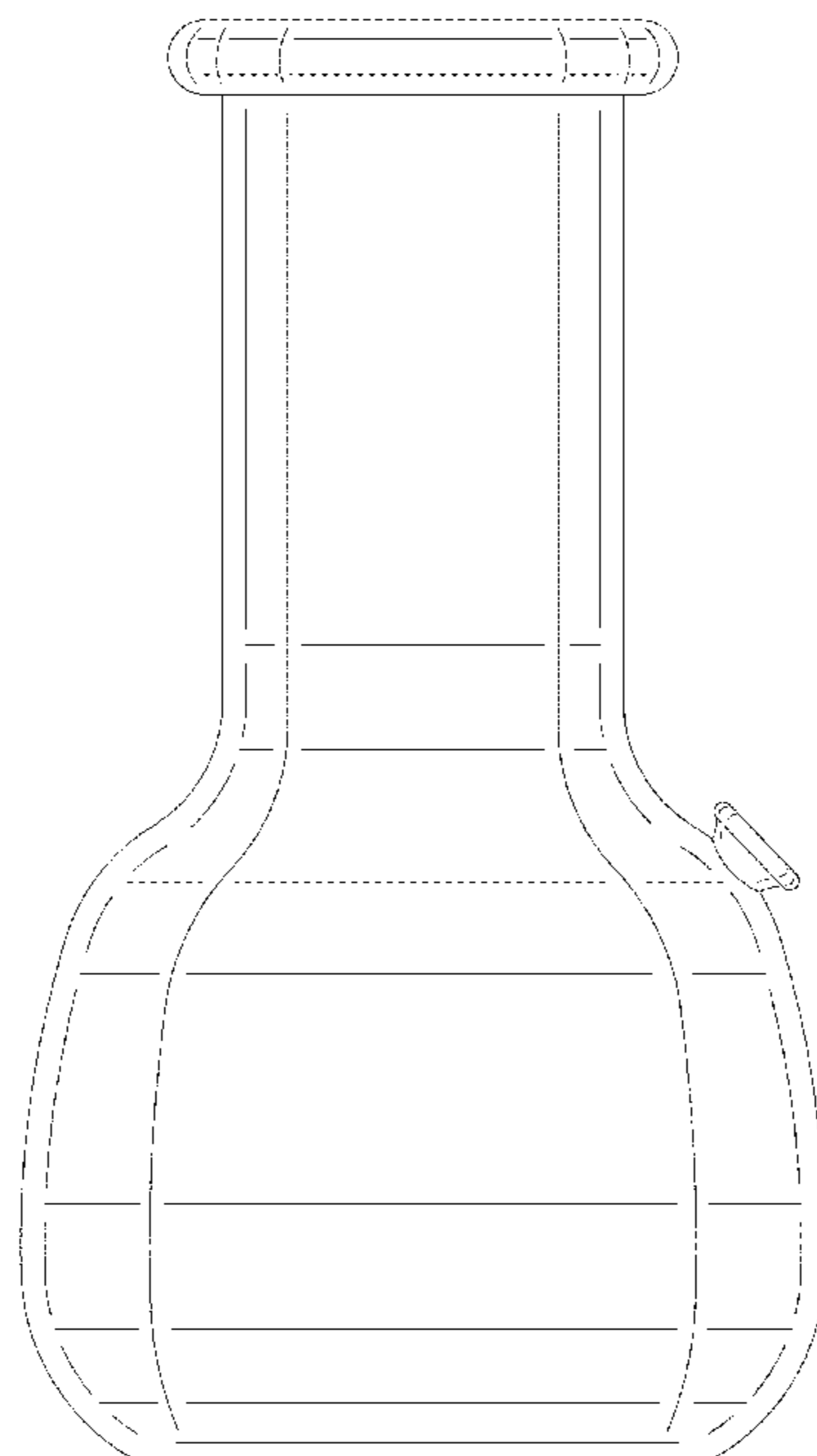
DESCRIPTION

FIG. 1 is a front view of a water pipe showing my new design, a back view being a mirror image thereof; FIG. 2 is a left side view of the water pipe; FIG. 3 is a right side view of the water pipe; FIG. 4 is a top view of the water pipe; and, FIG. 5 is a bottom view of the water pipe. The broken lines in FIG. 4 depict portions of the water pipe that form no part of the claimed design.

1 Claim, 5 Drawing Sheets

(56) **References Cited**
U.S. PATENT DOCUMENTS

D21,192 S * 12/1891 Houten D7/317
722,405 A 3/1903 Ganim
D244,473 S * 5/1977 Karl D27/162
4,148,327 A * 4/1979 Graham A24F 1/30
131/173
4,198,993 A 4/1980 Martin et al.
4,682,610 A 7/1987 Freelain
5,476,110 A 12/1995 Baig et al.
D368,325 S * 3/1996 Heine D27/162



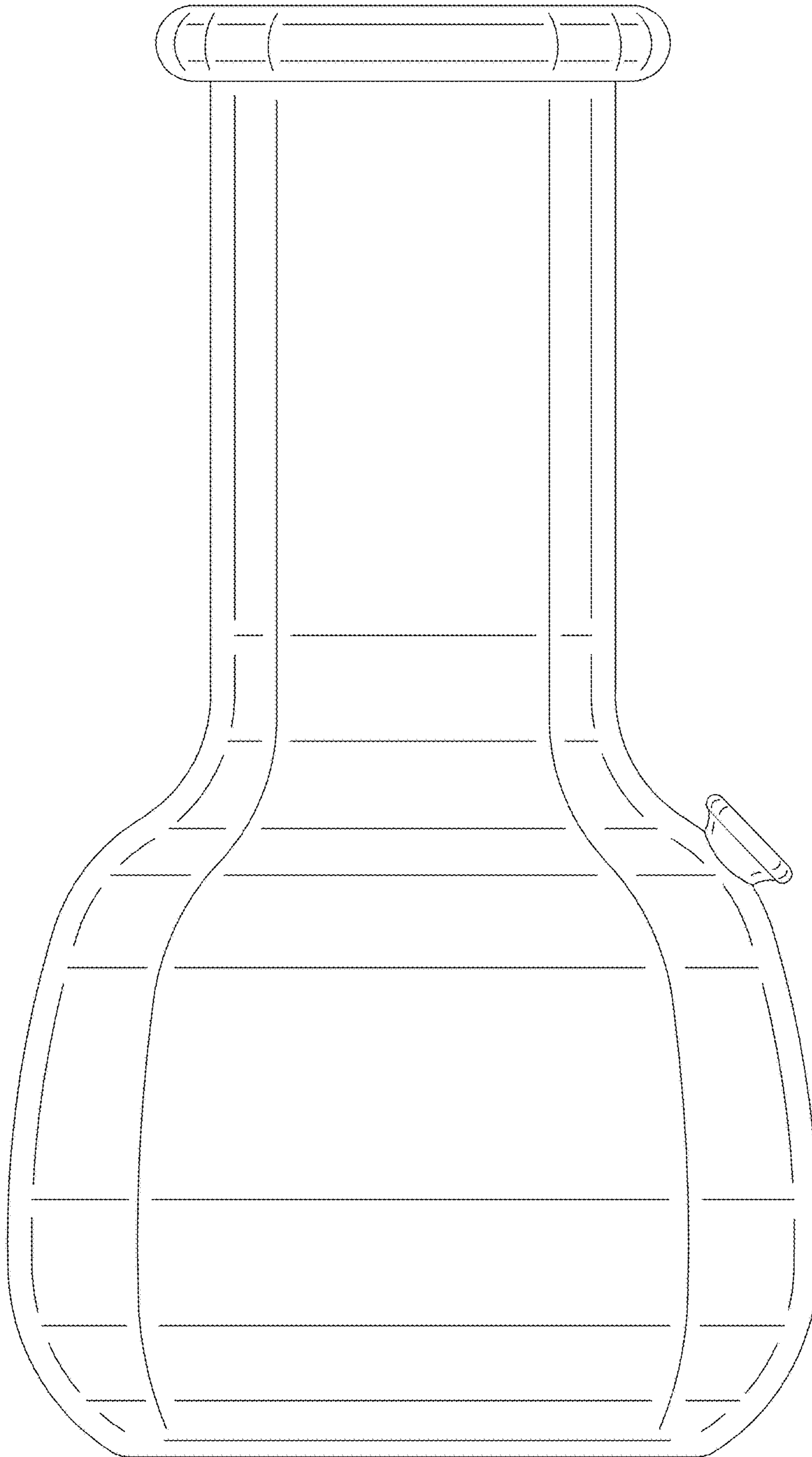


FIG. 1

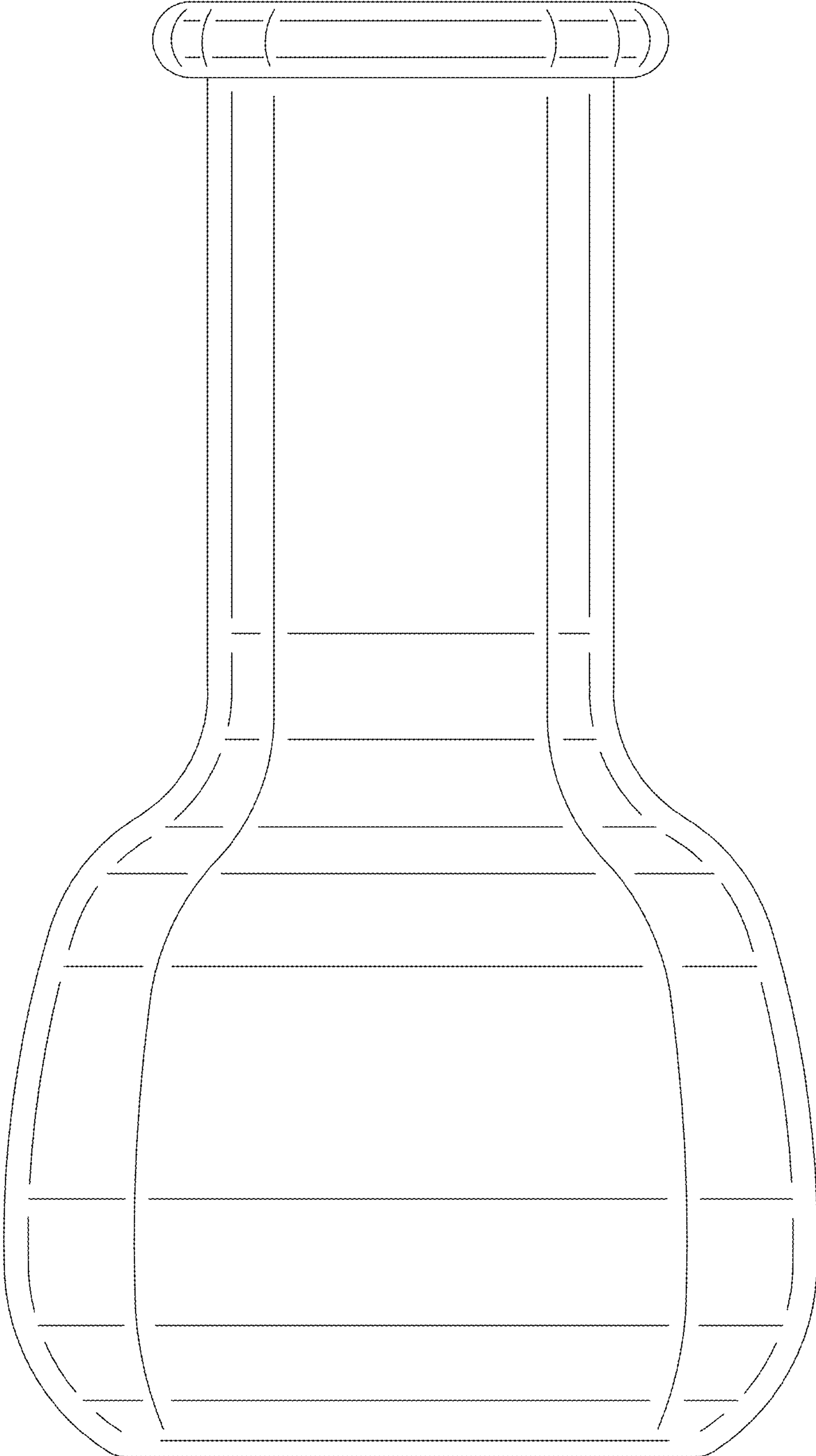


FIG. 2

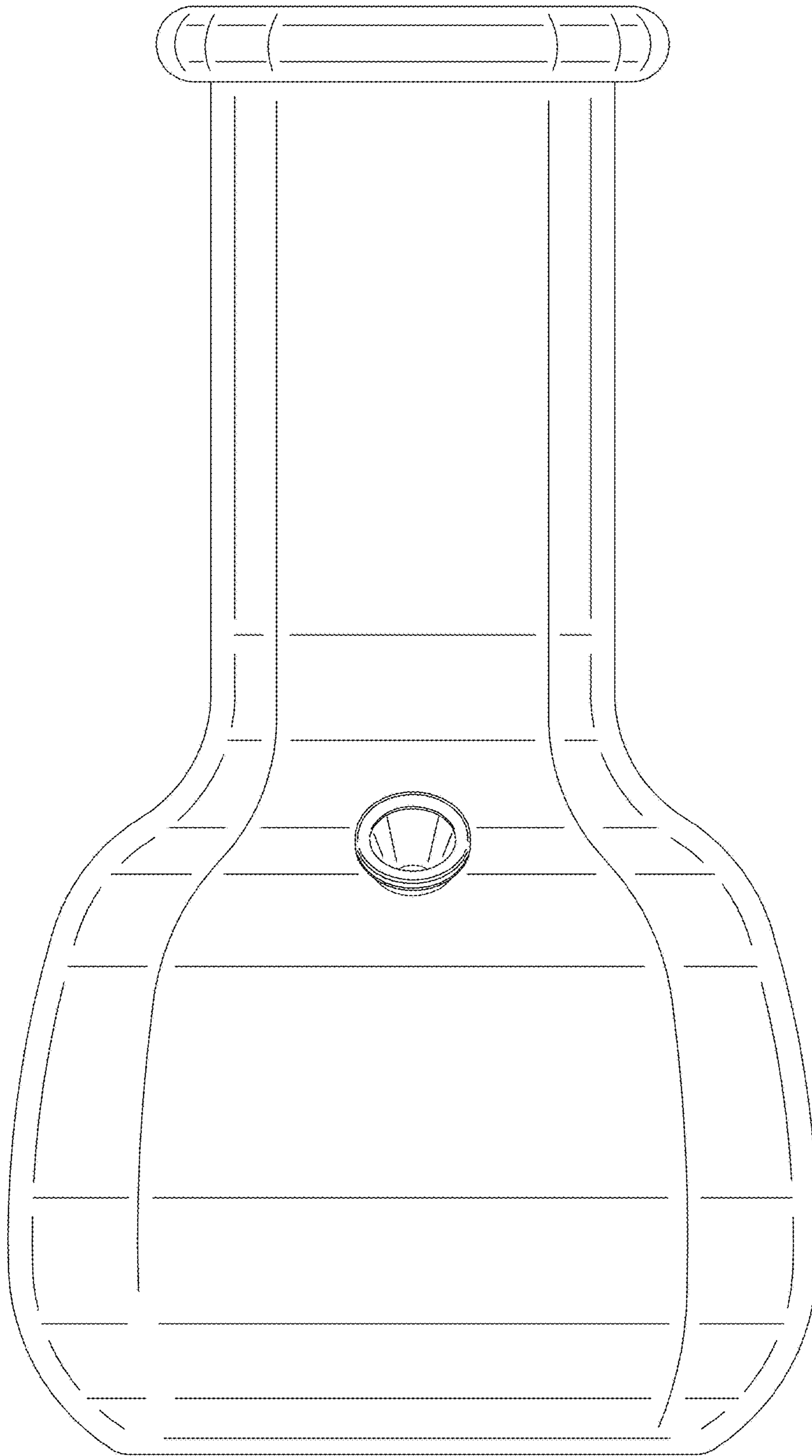


FIG. 3

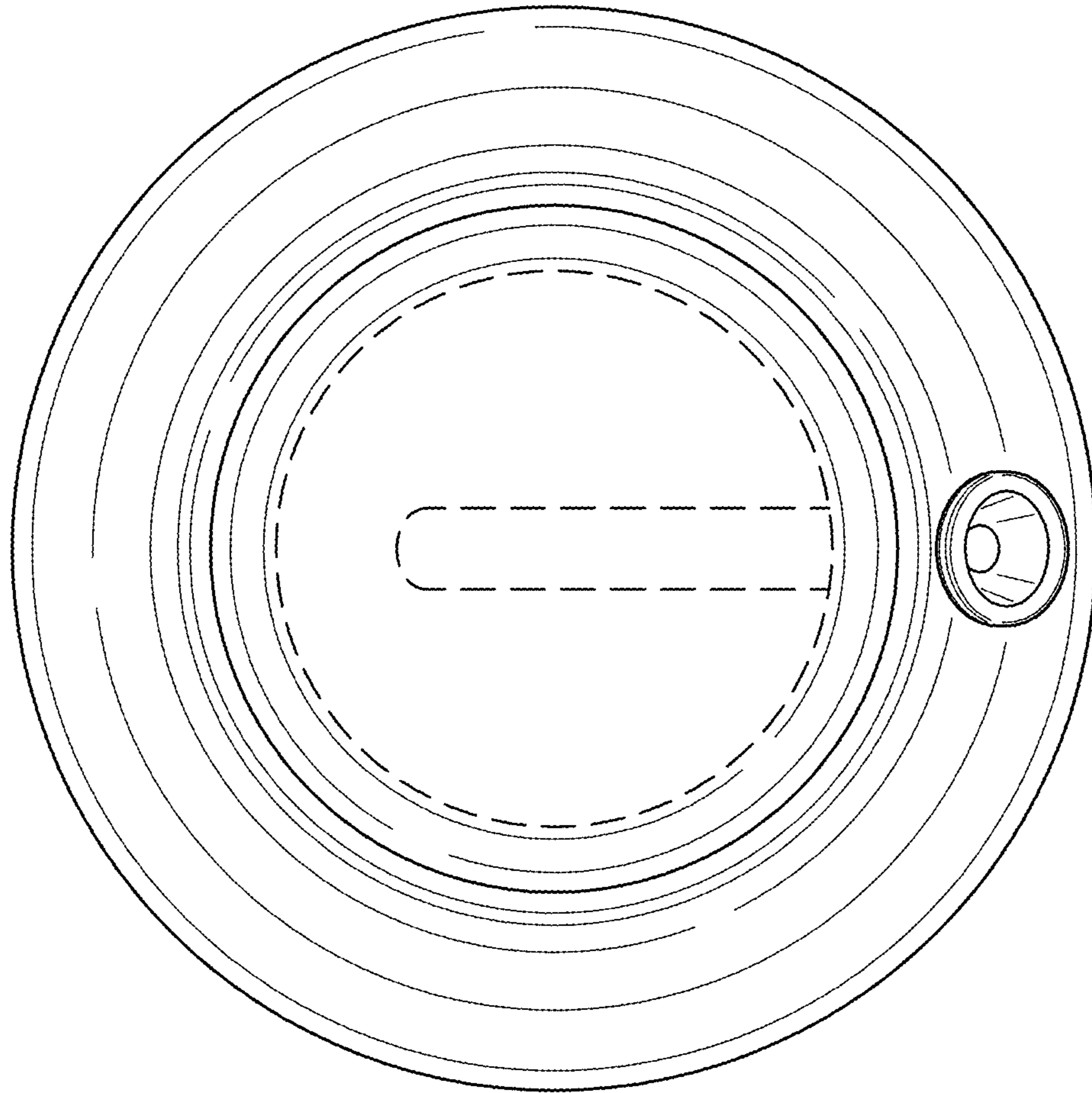


FIG. 4

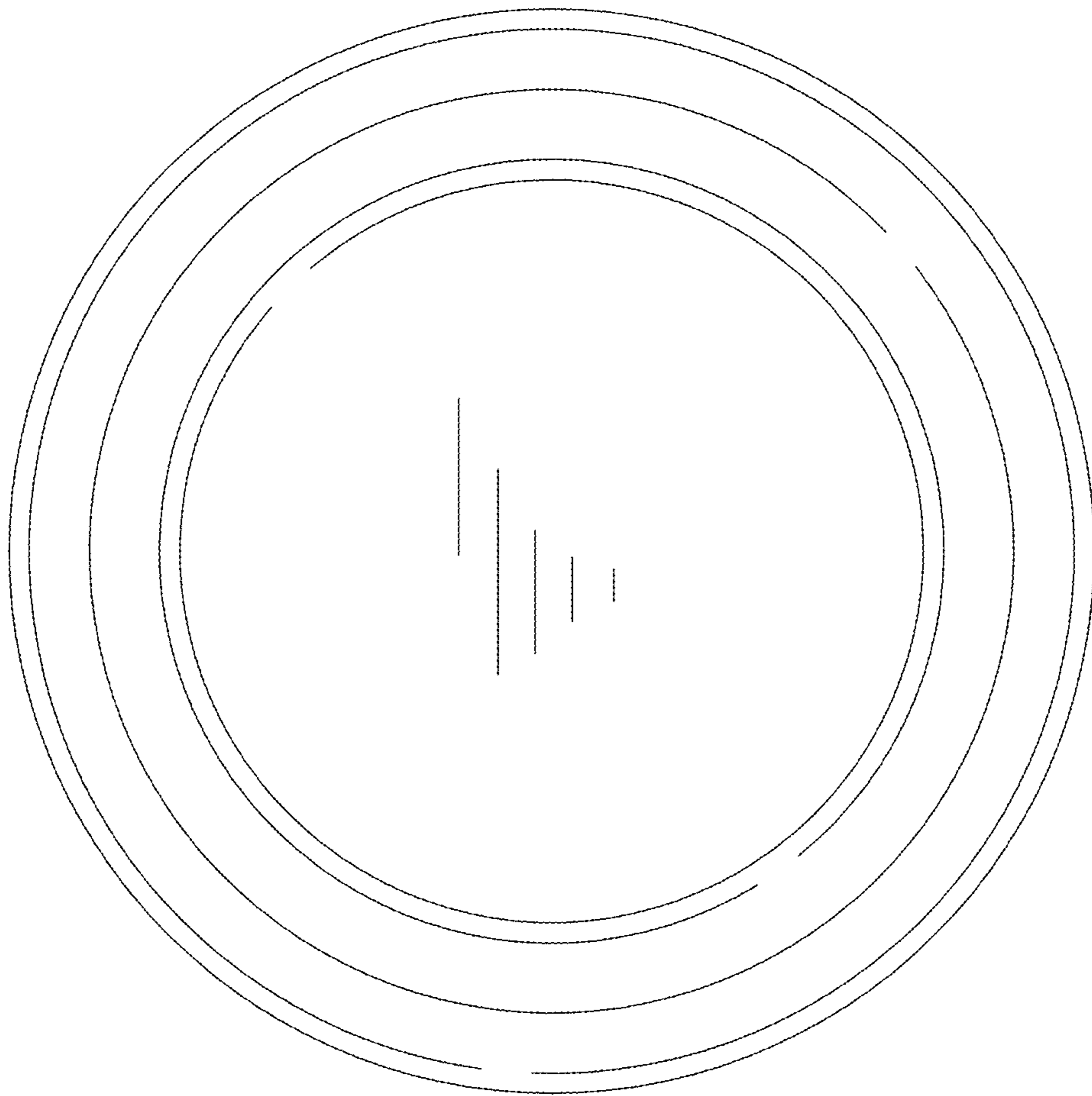


FIG. 5