



US00D806944S

(12) **United States Design Patent**
Elamrani

(10) **Patent No.:** **US D806,944 S**

(45) **Date of Patent:** **** *Jan. 2, 2018**

(54) **HOOKAH**

(71) Applicant: **Karim Elamrani**, San Diego, CA (US)

(72) Inventor: **Karim Elamrani**, San Diego, CA (US)

(*) Notice: This patent is subject to a terminal disclaimer.

(**) Term: **14 Years**

(21) Appl. No.: **29/455,111**

(22) Filed: **May 16, 2013**

(51) **LOC (11) Cl.** **27-02**

(52) **U.S. Cl.**
USPC **D27/162; D22/103**

(58) **Field of Classification Search**
USPC D27/101, 102, 103, 104, 161, 162, 163,
D27/164, 165, 166, 167, 168, 172, 196;
D24/110; D7/515, 523, 524, 619.1;
D9/440, 505, 524; 131/173, 194, 204,
131/227, 245, 328, 348, 329, 330;
D22/100, 101, 102, 103, 104, 108, 109
See application file for complete search history.

(56) **References Cited**

U.S. PATENT DOCUMENTS

D539,978 S *	4/2007	Kassir	D27/162
D547,489 S *	7/2007	Kassir	D27/162
D547,902 S *	7/2007	Kassir	D27/162
D554,797 S *	11/2007	Kassir	D27/162
D558,919 S *	1/2008	Kassir	D27/162
D590,541 S *	4/2009	Chaoui	D27/162
D622,099 S *	8/2010	Pike	D7/397
D667,072 S *	9/2012	Kriegleder	D22/103
D679,052 S *	3/2013	Chaoui	D27/162
D680,611 S *	4/2013	Emde et al.	D22/103
D710,210 S *	8/2014	Tussy	D22/103
D719,234 S *	12/2014	Hochstrate	D22/103
D722,125 S *	2/2015	Zayatz	D22/108

D724,691 S *	3/2015	Barfoot	D22/109
D728,055 S *	4/2015	Geissele	D22/108
9,134,092 B2 *	9/2015	Spiegelhauer	F41C 23/16
D742,587 S *	11/2015	Masri	D27/162
D768,255 S *	10/2016	Geissele	D22/108
D779,723 S *	2/2017	Marrakchi	D27/162
D792,935 S *	7/2017	Ward, Jr.	D22/108
2006/0086365 A1 *	4/2006	Liu	131/173
2006/0107964 A1 *	5/2006	Ohanesian	131/173
2006/0207621 A1 *	9/2006	Shraiber	131/348
2007/0079696 A1 *	4/2007	Quis	89/148
2007/0271834 A1 *	11/2007	Keng	42/124
2012/0198990 A1 *	8/2012	Brittin	89/191.01
2012/0255209 A1 *	10/2012	Klassen	42/6

(Continued)

OTHER PUBLICATIONS

AK-47 Hookah, posted as early as Oct. 22, 2015 [online], [retrieved Oct. 24, 2017]. Retrieved from internet, <http://www.mobhookah.com/AK-47-HOOKAH-p/ak47-hookah.htm>.*

(Continued)

Primary Examiner — Barbara Fox

(74) *Attorney, Agent, or Firm* — Mark H. Plager

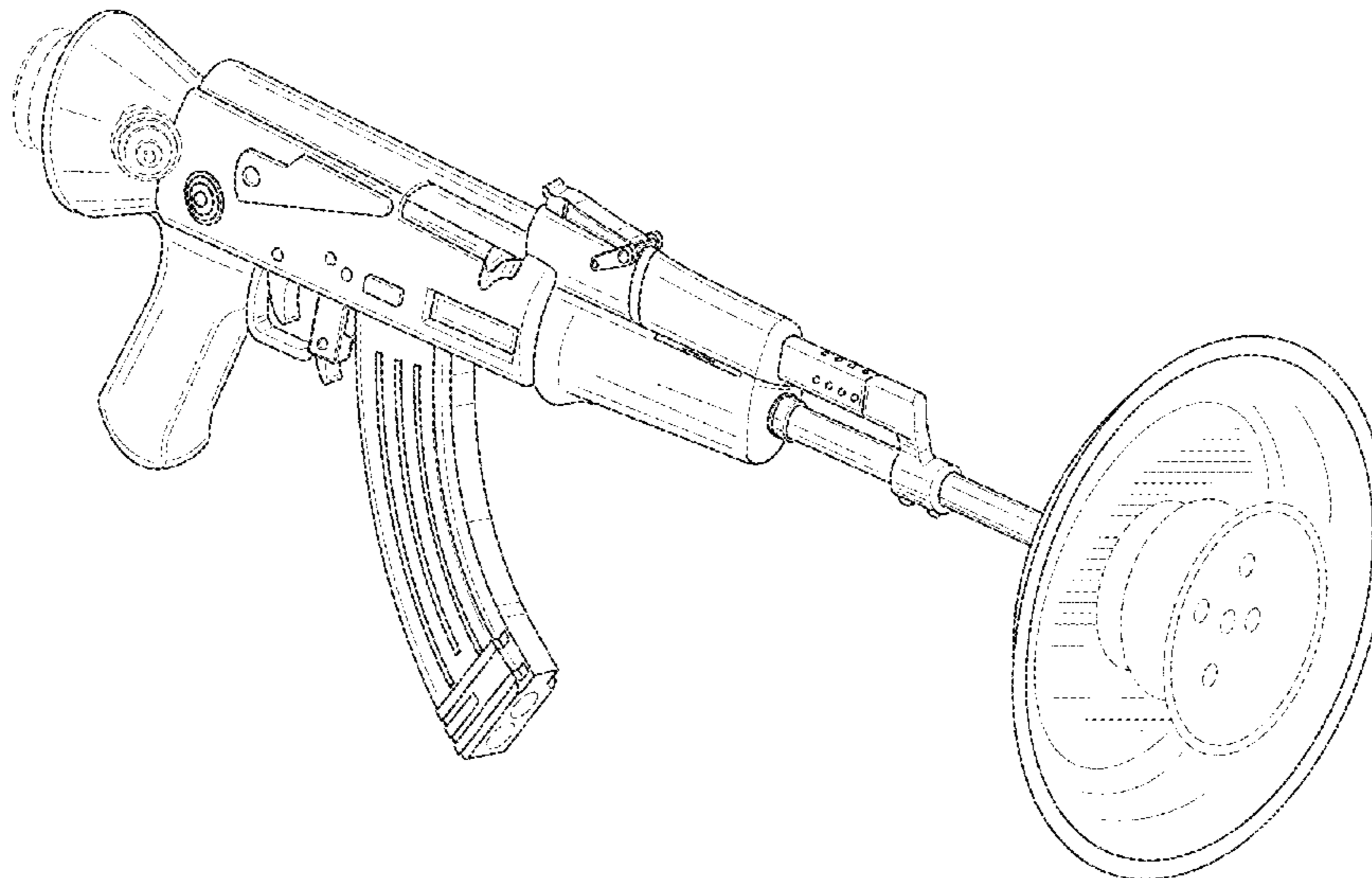
(57) **CLAIM**

The ornamental design for a hookah, as shown and described.

DESCRIPTION

FIG. 1 is a front, right perspective view of a hookah showing my design.
FIG. 2 is a front elevational view thereof;
FIG. 3 is a top plan view thereof;
FIG. 4 is a bottom plan view thereof;
FIG. 5 is a rear elevational view thereof;
FIG. 6 is a right elevational view thereof; and,
FIG. 7 is a left elevational view thereof.

1 Claim, 6 Drawing Sheets



(56)

References Cited

U.S. PATENT DOCUMENTS

2014/0130811 A1* 5/2014 Touzjian A24F 1/30
131/173
2015/0282524 A1* 10/2015 Elhalwani A24F 1/30
131/329
2016/0066619 A1* 3/2016 Di Carlo A24F 1/30
131/329

OTHER PUBLICATIONS

Kalashnikov AK47 shisha/pistol, posted 2017 [online], [retrieved Oct. 24, 2017]. Retrieved from internet, <https://www.alibaba.com>.*

Designer MOB AK47 M16 gun hookah, posted 2017 [online], [retrieved Oct. 24, 2017]. Retrieved from internet, https://www.alibaba.com/product-detail/Designer-MOB-AK47-M16-gun-hookah_60319162201.html.*

Modern FLOS AK47 Chrome Gold Gun Table Lamps, posted 2008 [online], [retrieved Oct. 24, 2017]. Retrieved from internet, <https://m.dhgate.com/product/modern-flos-ak47-chrome-gold-gun-table-lamps/375481010.html>.*

* cited by examiner

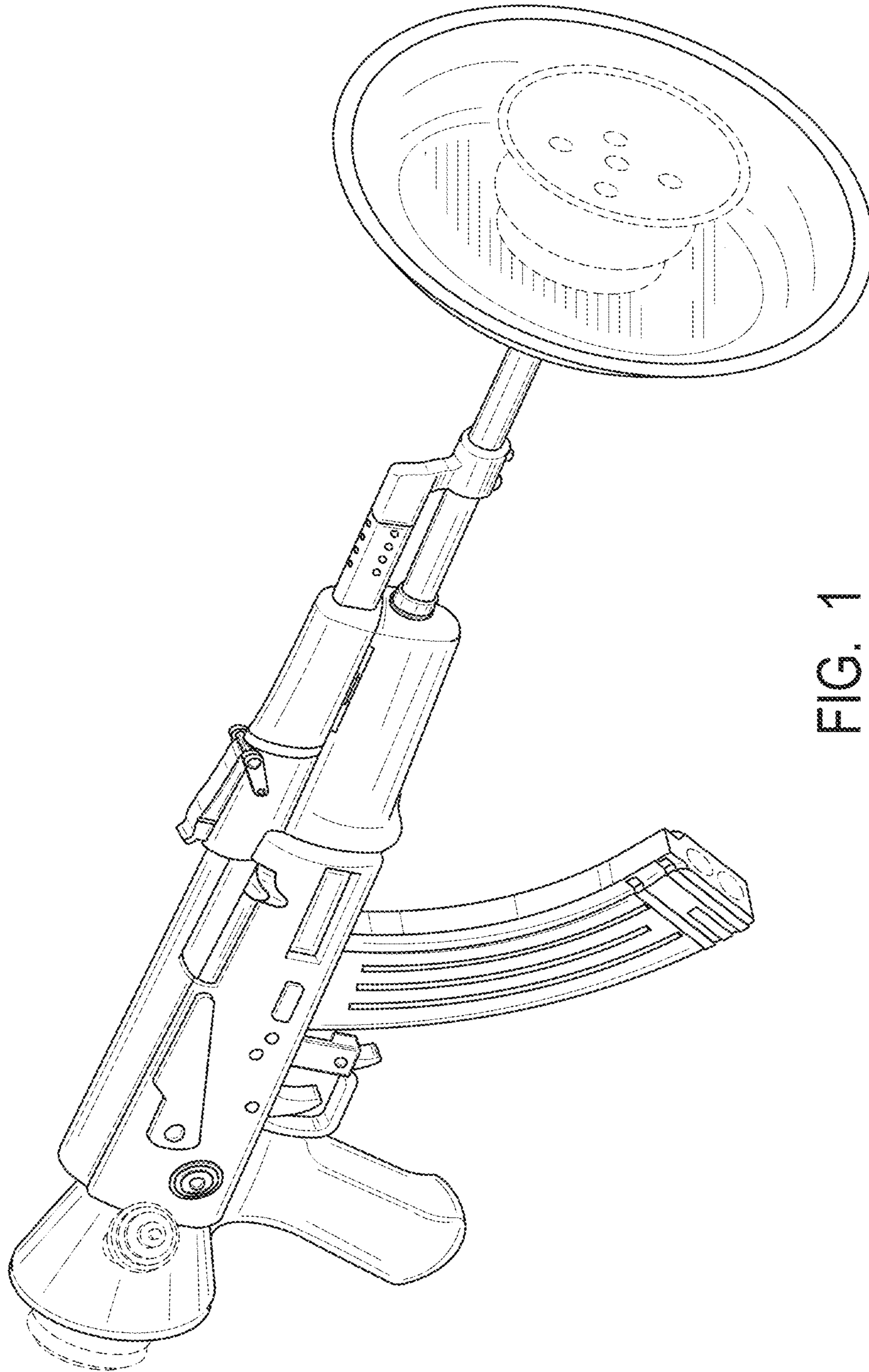


FIG. 1

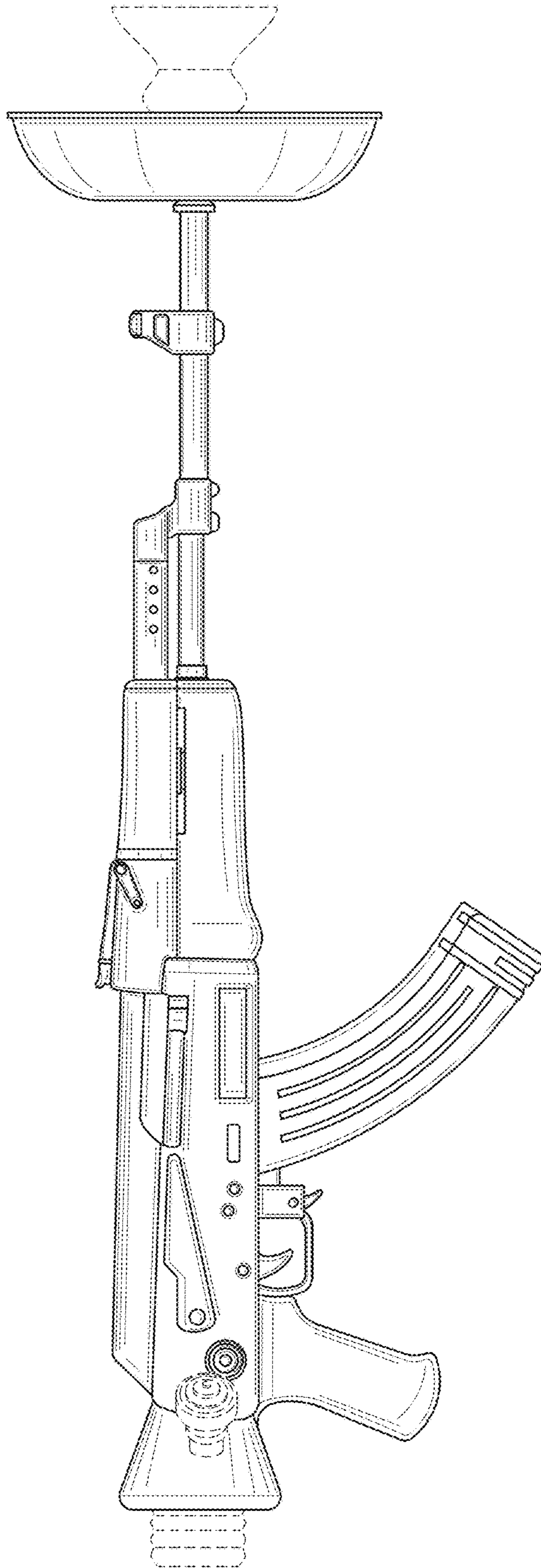


FIG. 2

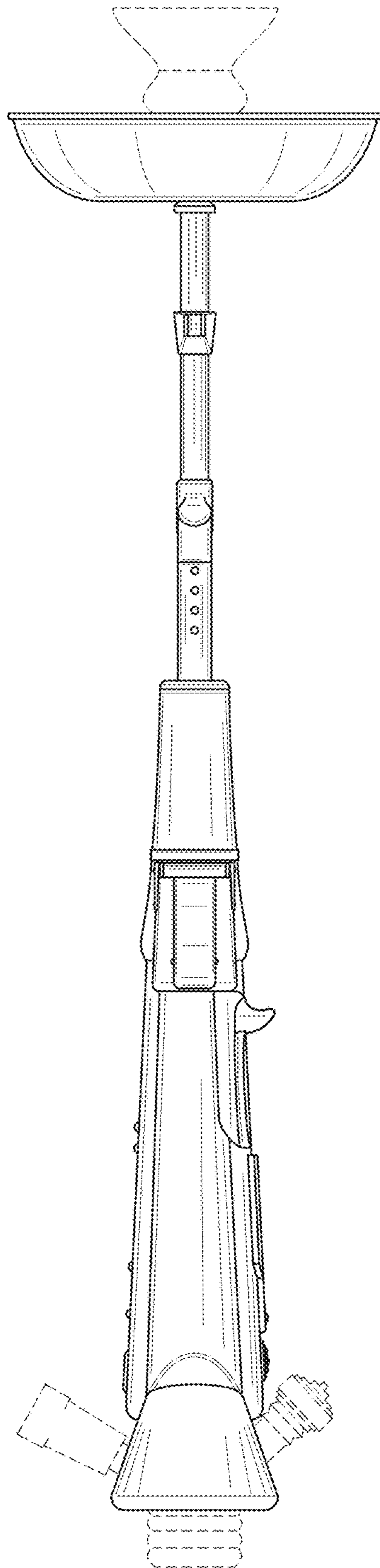


FIG. 3

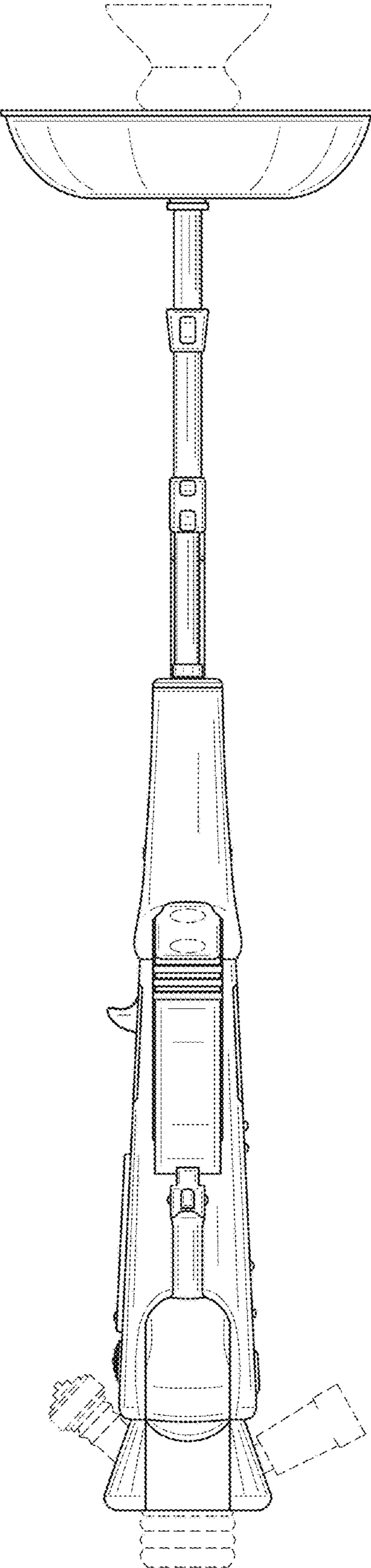


FIG. 4

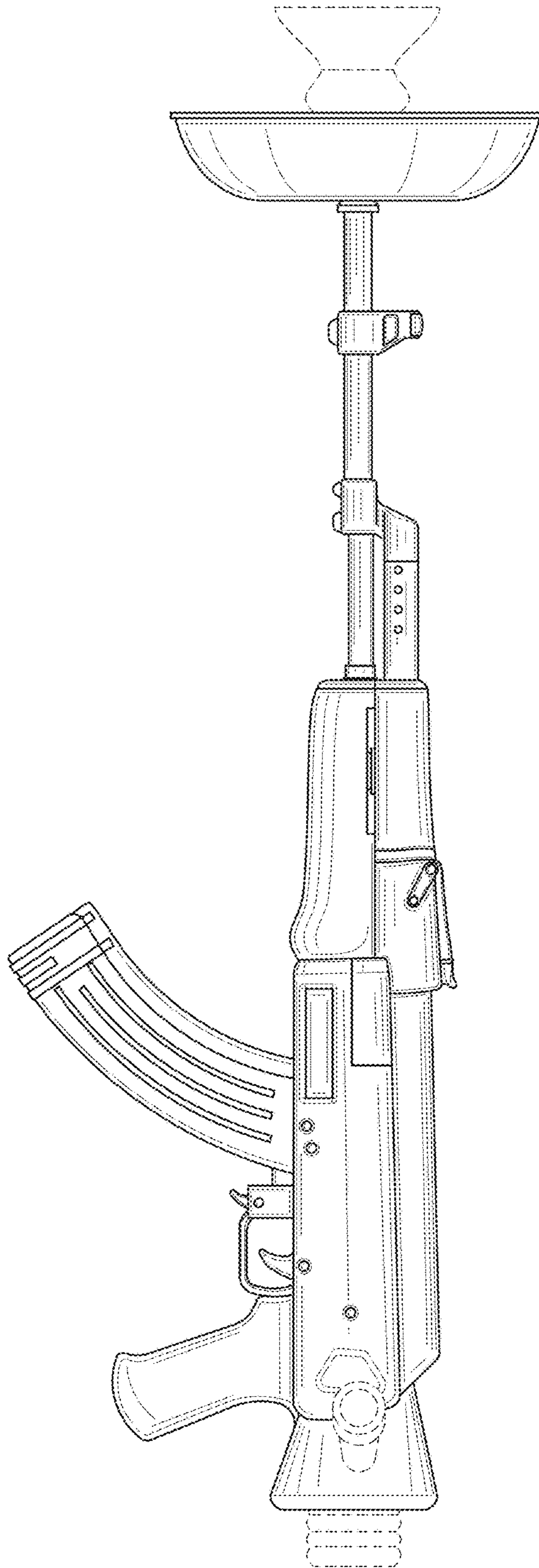


FIG. 5

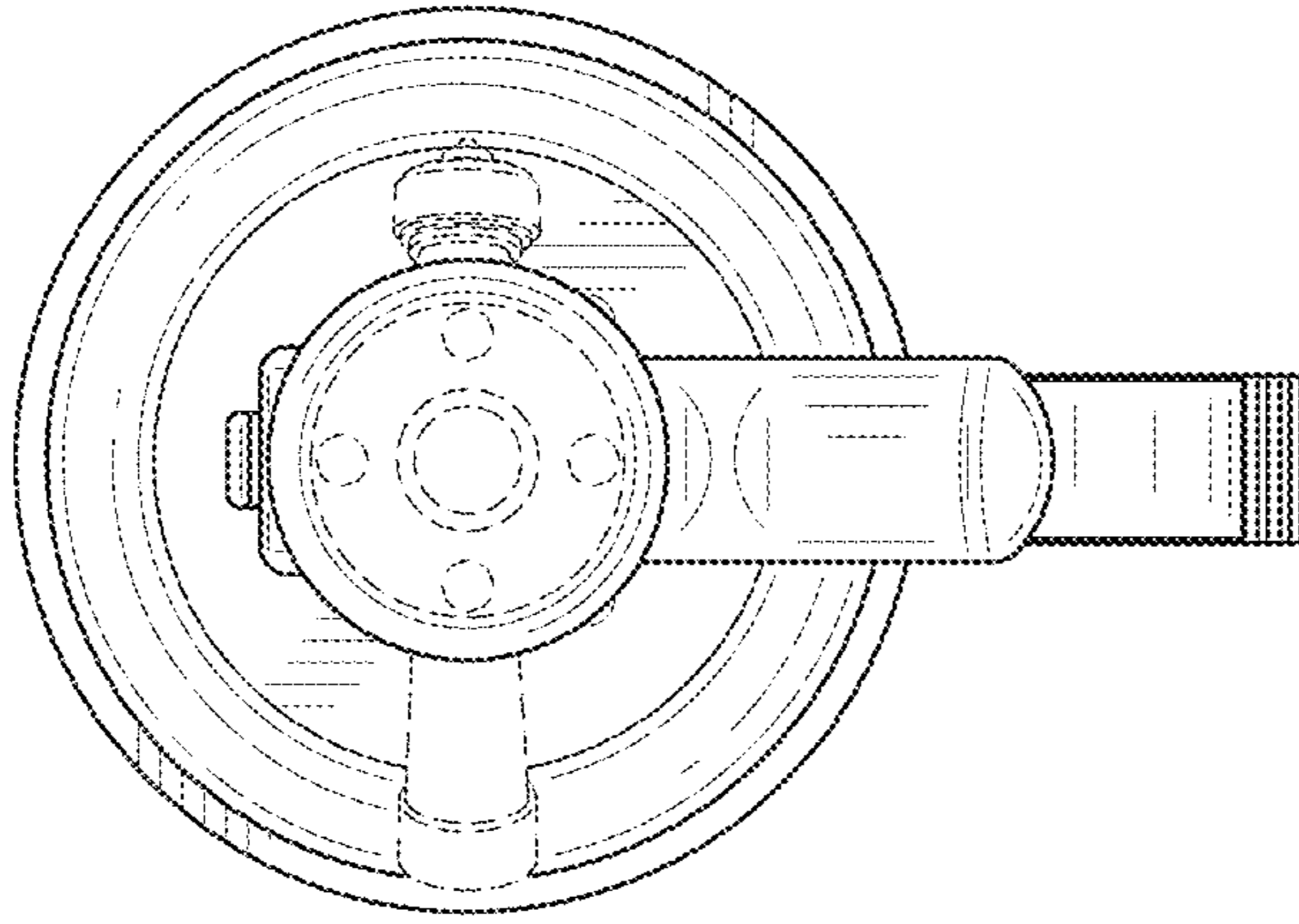


FIG. 6

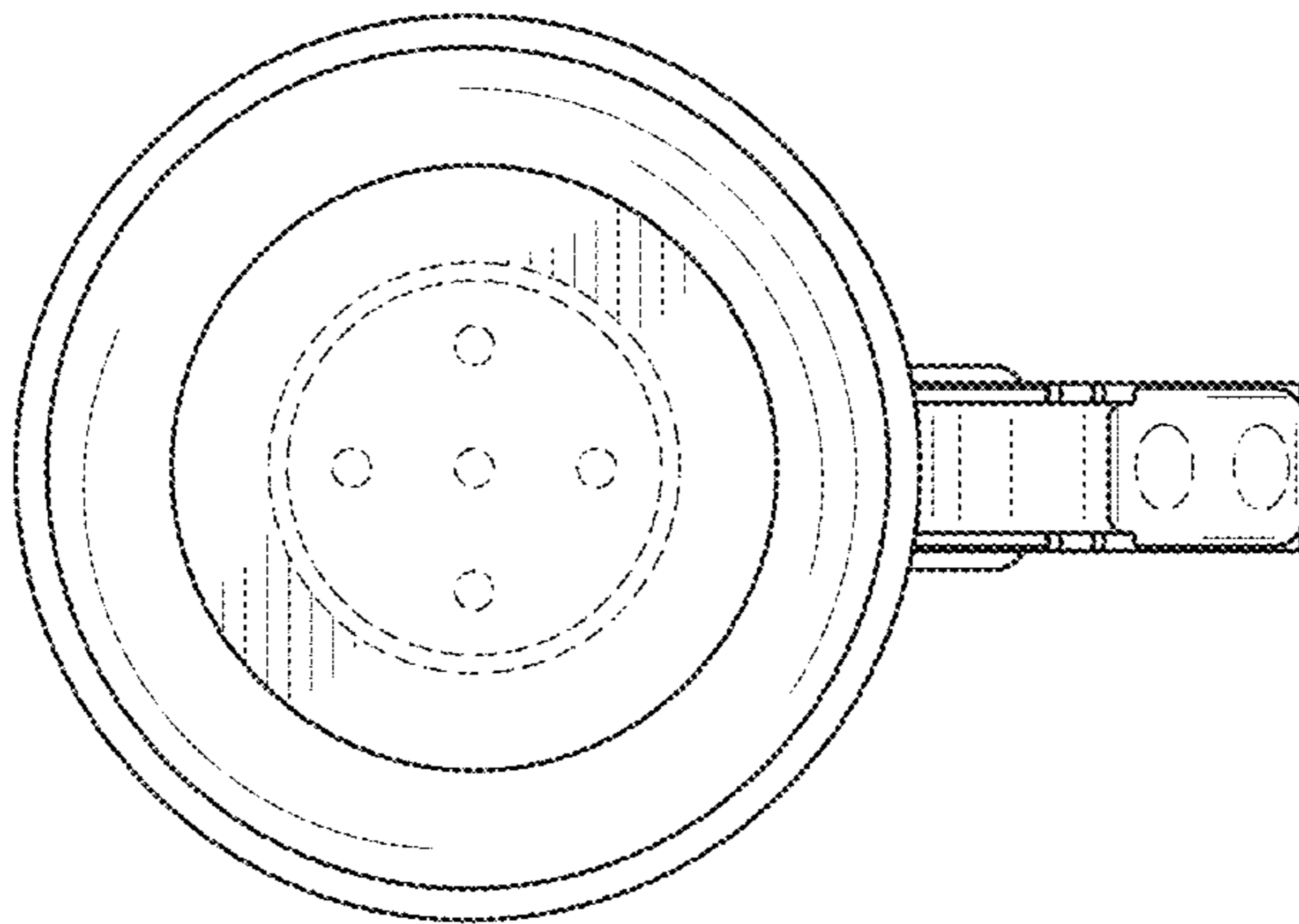


FIG. 7