



US00D806943S

(12) **United States Design Patent**  
**Liu et al.**

(10) **Patent No.:** **US D806,943 S**  
(45) **Date of Patent:** **\*\* Jan. 2, 2018**

(54) **WICKLESS ATOMIZER**

CPC .... A24F 47/002; A24F 47/004; A24F 47/006;  
A24F 47/008; A61M 15/06  
See application file for complete search history.

(71) Applicant: **HUIZHOU KIMREE TECHNOLOGY CO., LTD.**  
**SHENZHEN BRANCH**, Shenzhen,  
Guangdong (CN)

(56) **References Cited**

U.S. PATENT DOCUMENTS

(72) Inventors: **Qiuming Liu**, Guangdong (CN);  
**Zhiyong Xiang**, Guangdong (CN);  
**Jianhua Niu**, Guangdong (CN); **Zhilin Wei**, Guangdong (CN)

D653,803 S *	2/2012	Timmermans .....	D27/163
D655,036 S *	2/2012	Zhou .....	D27/101
D720,881 S *	1/2015	Liu .....	D27/101
D721,202 S *	1/2015	Liu .....	D27/101
D725,310 S *	3/2015	Eksouzian .....	D27/101
D727,562 S *	4/2015	Li .....	D27/101
D760,948 S *	7/2016	Eksouzian .....	D27/101
D765,907 S *	9/2016	Liu .....	D27/101

(Continued)

(73) Assignee: **HUIZHOU KIMREE TECHNOLOGY CO., LTD.**  
**SHENZHEN BRANCH**, Shenzhen,  
Guangdong (CN)

*Primary Examiner* — Susan Bennett Hattan  
*Assistant Examiner* — Rebecca Tsehaye  
(74) *Attorney, Agent, or Firm* — U.S. Fairsky LLP; Yue (Robert) Xu

(\*\*) Term: **15 Years**

(57) **CLAIM**

(21) Appl. No.: **29/577,024**

The ornamental design for a wickless atomizer, as shown and described.

(22) Filed: **Sep. 8, 2016**

**DESCRIPTION**

(30) **Foreign Application Priority Data**

Apr. 22, 2016 (CN) ..... 2016 3 0139358

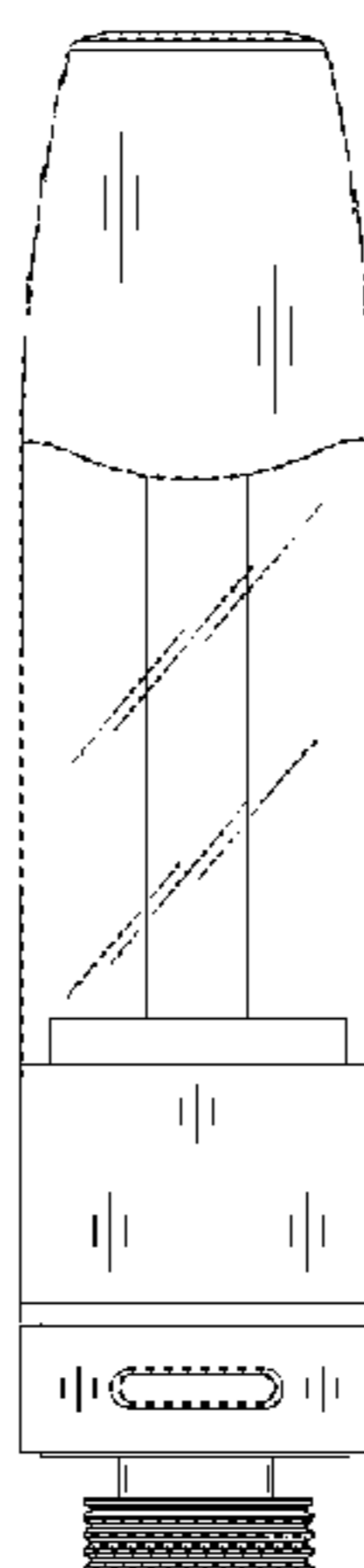
(51) **LOC (11) Cl.** ..... **27-01**

(52) **U.S. Cl.**  
USPC ..... **D27/101**

(58) **Field of Classification Search**  
USPC ..... D27/101, 100, 106, 108, 139, 141, 142,  
D27/163, 165, 169, 172, 174, 175, 183,  
D27/186–190, 193, 194, 195; D24/100,  
D24/110; 131/270, 273, 274, 191, 330,  
131/329; D7/300, 300.1, 312, 313, 500,  
D7/509, 514, 515; D9/516, 545, 549,  
D9/551, 520, 522, 445

FIG. 1 is a front view of a wickless atomizer according to the present application;  
FIG. 2 is a rear view of the wickless atomizer according to the present application;  
FIG. 3 is a left view of the wickless atomizer according to the present application;  
FIG. 4 is a right view of the wickless atomizer according to the present application;  
FIG. 5 is a top view of the wickless atomizer according to the present application;  
FIG. 6 is a bottom view of the wickless atomizer according to the present application;  
FIG. 7 is a first perspective view of the wickless atomizer according to the present application; and,  
FIG. 8 is a second perspective view of the wickless atomizer according to the present application.

(Continued)



The broken lines in the drawings depict portions of the “wickless atomizer” that form no part of the claimed design.

**1 Claim, 8 Drawing Sheets**

(56) **References Cited**

U.S. PATENT DOCUMENTS

D776,869 S *	1/2017	Heidl .....	D27/163
D784,610 S *	4/2017	Bosch .....	D27/101
2014/0182610 A1 *	7/2014	Liu .....	A24F 47/008
			131/329
2015/0296884 A1 *	10/2015	Liu .....	A24F 47/008
			131/329
2016/0345626 A1 *	12/2016	Wong .....	A24F 47/008
2017/0006923 A1 *	1/2017	Li .....	A24F 47/008
2017/0013881 A1 *	1/2017	Liu .....	A24F 47/008

\* cited by examiner

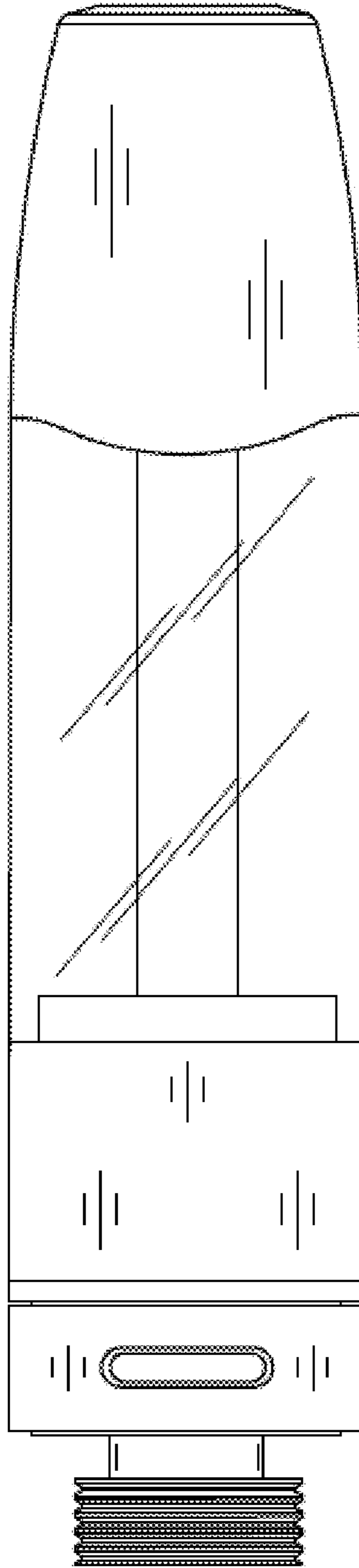


Figure 1

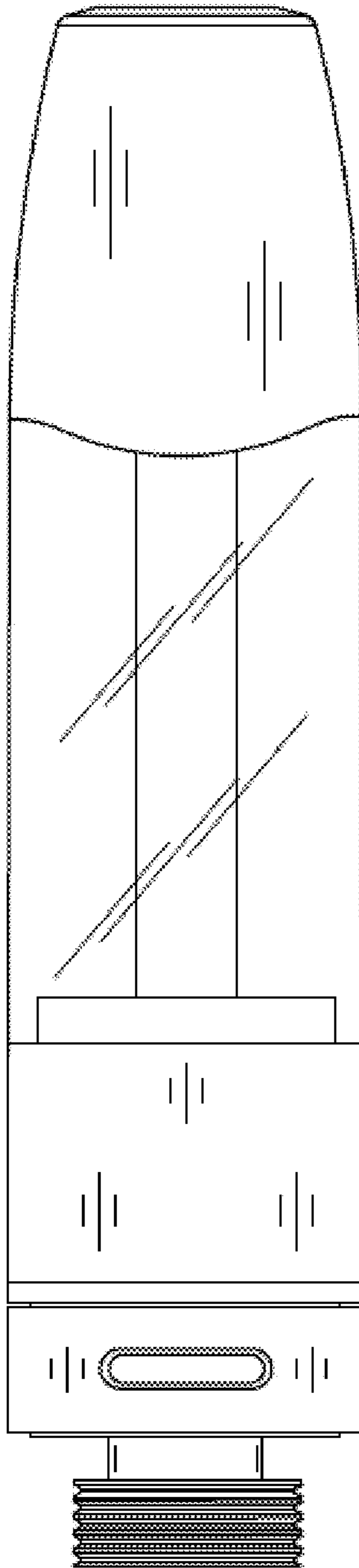


Figure 2

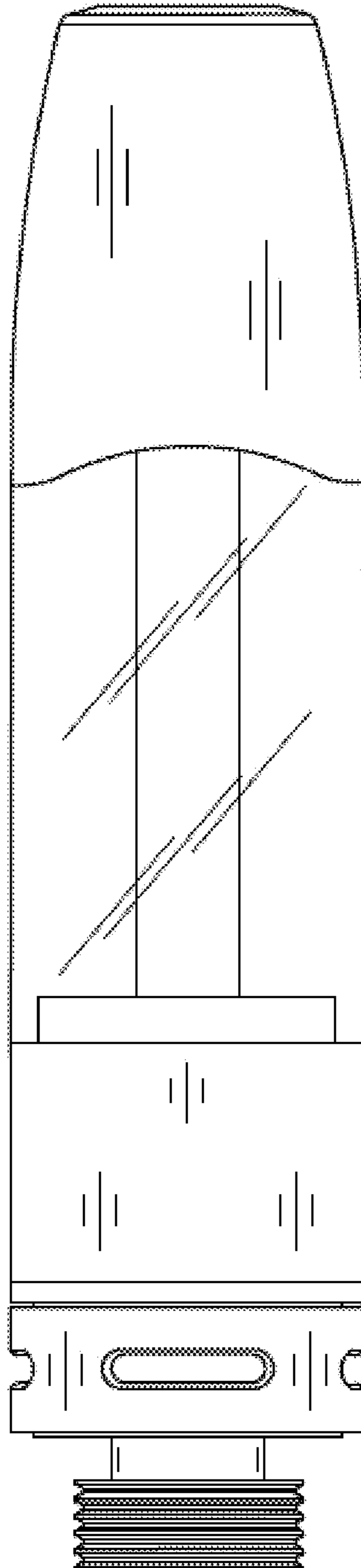


Figure 3

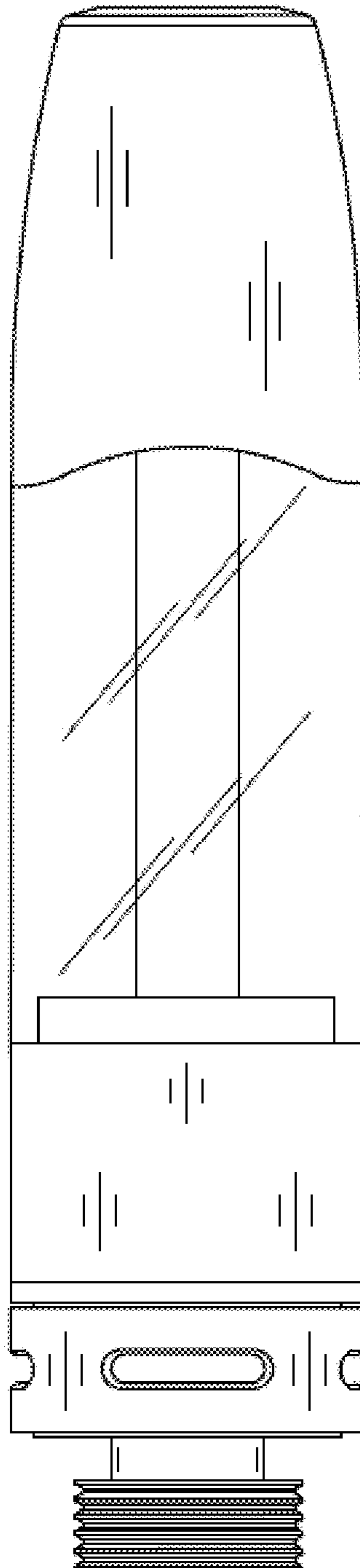


Figure 4

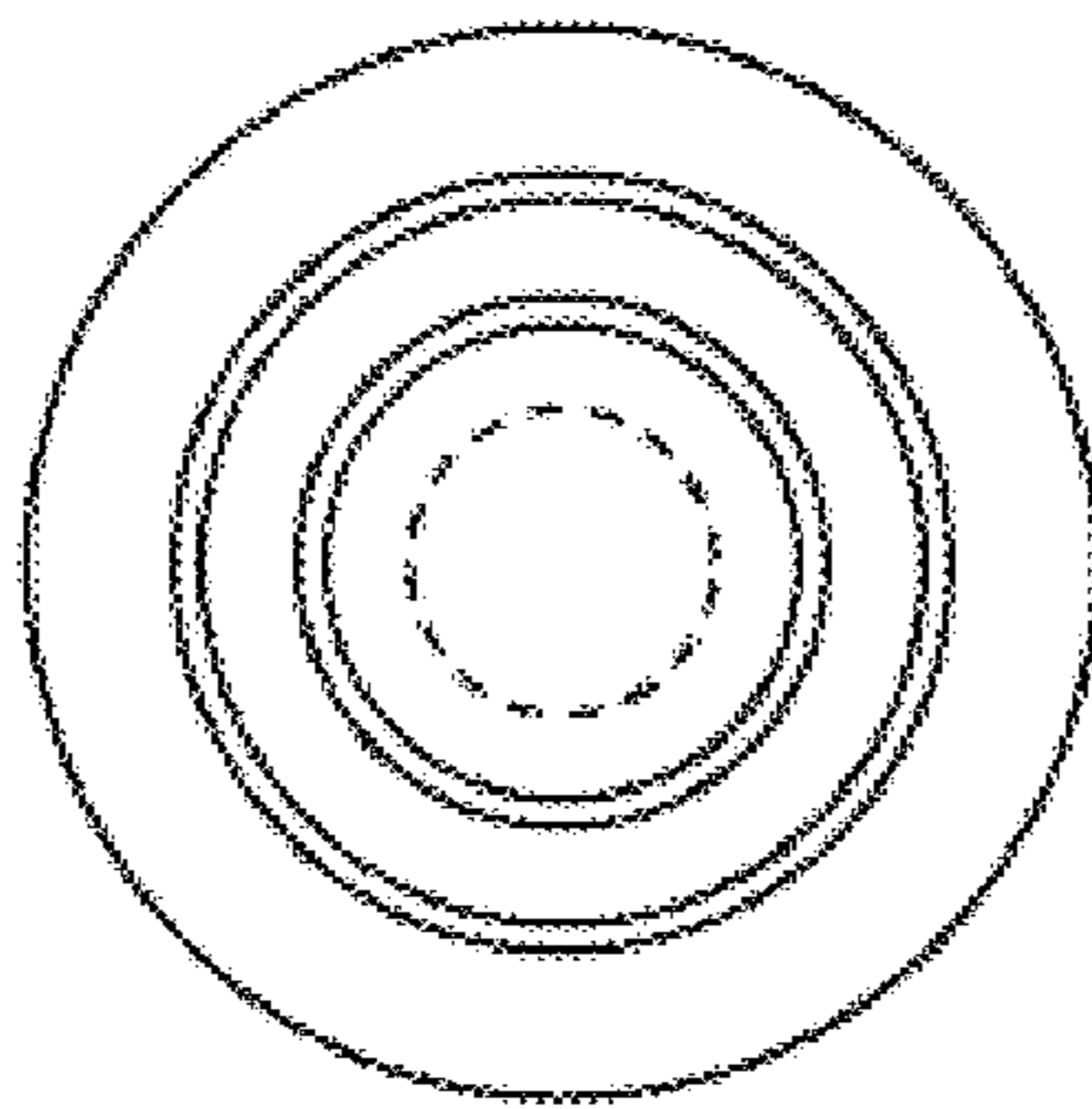


Figure 5

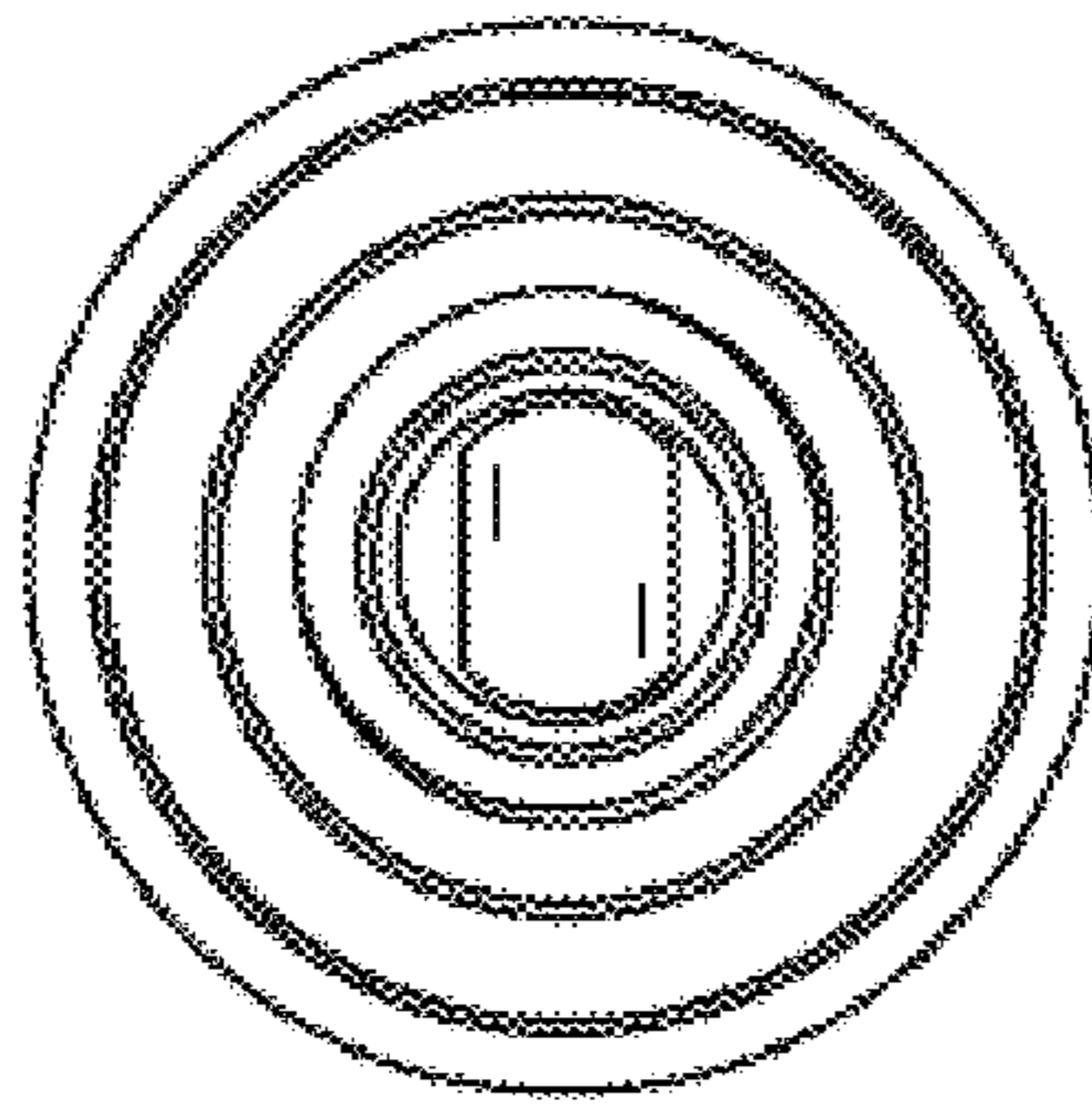


Figure 6



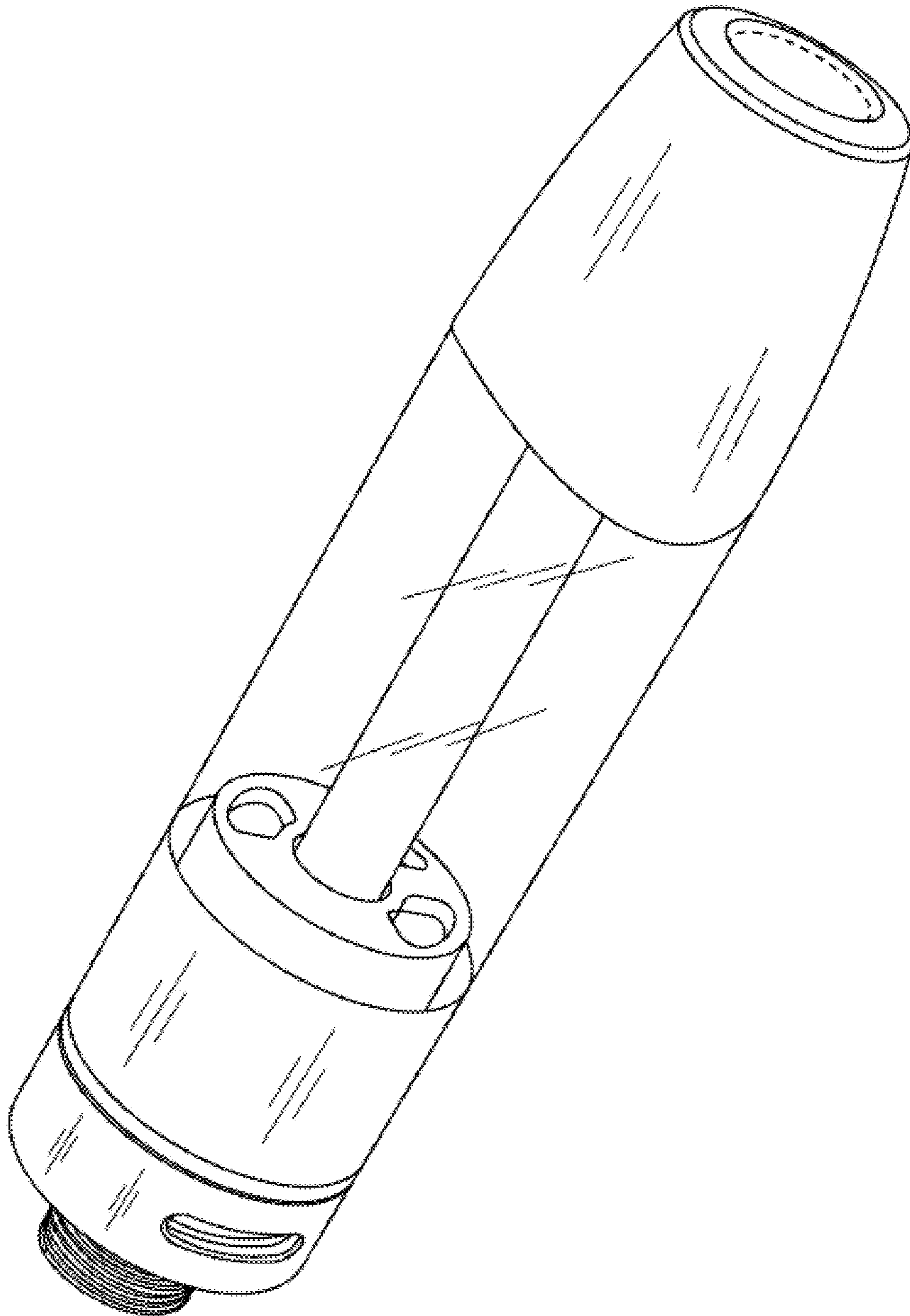


Figure 7

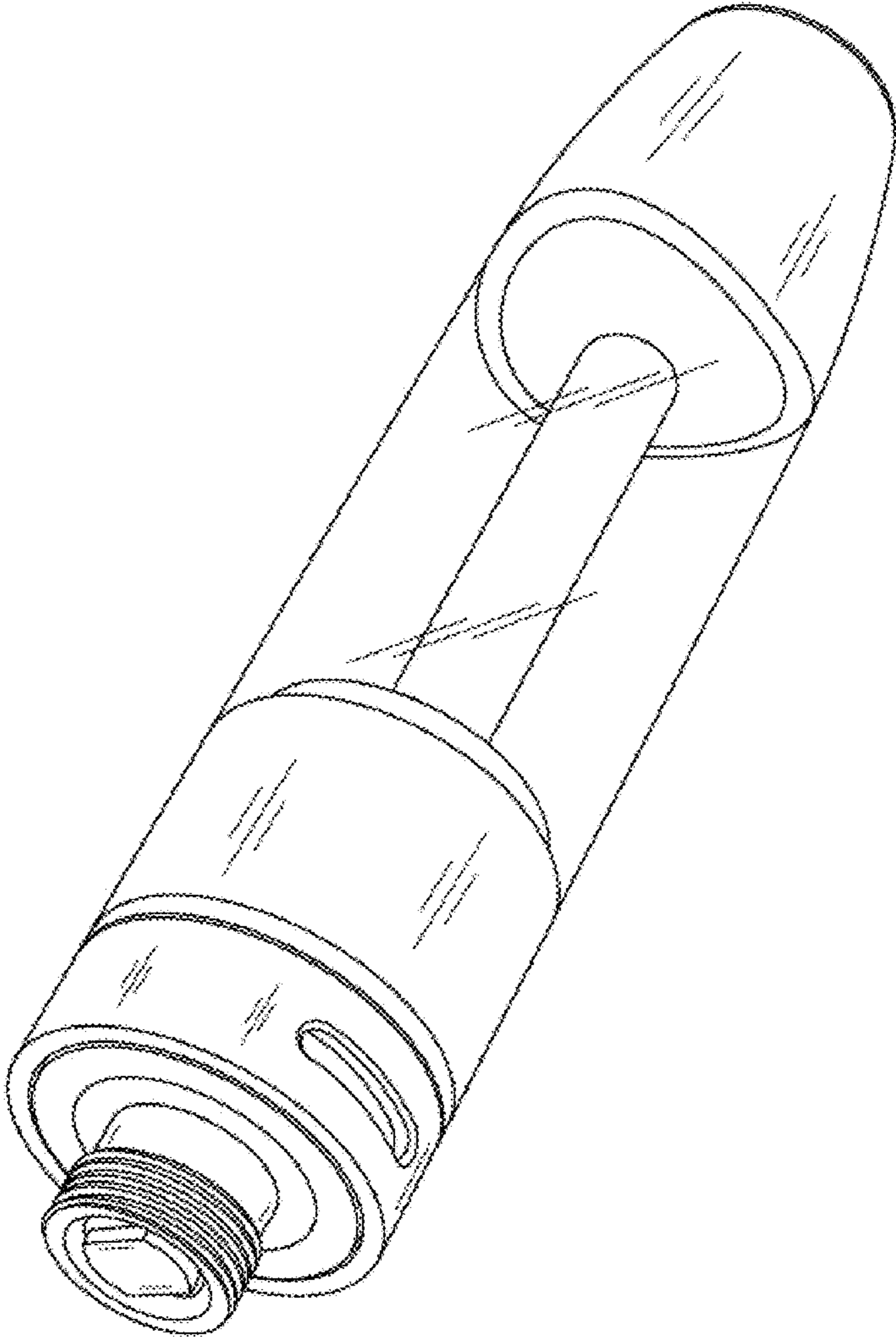


Figure 8