



US00D806942S

(12) **United States Design Patent** (10) **Patent No.:** **US D806,942 S**
Qiu (45) **Date of Patent:** **** Jan. 2, 2018**

(54) **ELECTRONIC CIGARETTE**

(71) Applicant: **Joyetech (Changzhou) Electronics Co., Ltd.**, Changzhou, Jiangsu (CN)

(72) Inventor: **Weihua Qiu**, Jiangsu (CN)

(73) Assignee: **JOYETECH (CHANGZHOU) ELECTRONICS CO., LTD.**, Changzhou, Jiangsu (CN)

(**) Term: **15 Years**

(21) Appl. No.: **29/575,212**

(22) Filed: **Aug. 23, 2016**

(30) **Foreign Application Priority Data**

Mar. 1, 2016 (CN) 2016 3 0055901

(51) **LOC (11) Cl.** **27-01**

(52) **U.S. Cl.**
USPC **D27/101**

(58) **Field of Classification Search**
USPC D27/100, 101, 162-171, 194; D24/108, D24/110, 110.5; D13/103; D28/76; D22/117

CPC A24F 1/00; A24F 1/02; A24F 1/04; A24F 1/06; A24F 1/08; A24F 1/10; A24F 1/12; A24F 1/14; A24F 1/26; A24F 1/28; A24F 7/00; A24F 7/02; A24F 7/04

See application file for complete search history.

(56) **References Cited**

U.S. PATENT DOCUMENTS

D617,050 S * 6/2010 Lou D28/76
D683,897 S * 6/2013 Liu D27/170

(Continued)

OTHER PUBLICATIONS

Electronic Cigarette | Joye eGo AIO | Joyetech, posted date Mar. 21, 2016, (c) 2009-2017 joyetech.com, [online], [site visited Sep. 12, 2017], Available at <http://www.joyetech.com/product/ego-ai/>.*

Primary Examiner — Eric L Goodman

Assistant Examiner — Jennifer M Campbell

(74) *Attorney, Agent, or Firm* — Novick, Kim and Lee, PLLC; Allen Xue

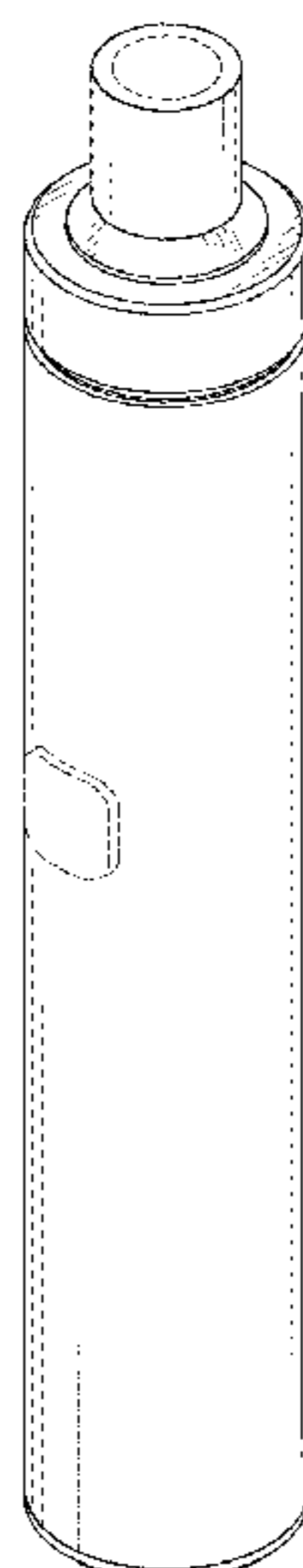
(57) **CLAIM**

I claim the ornamental design for an electronic cigarette, substantially as shown and described.

DESCRIPTION

FIG. 1 is a perspective view of a first embodiment of an electronic cigarette showing my new design; FIG. 2 is a right side elevation view of FIG. 1; FIG. 3 is a left side elevation view of FIG. 1; FIG. 4 is a front elevation view of FIG. 1; FIG. 5 is a rear elevation view of FIG. 1; FIG. 6 is a top plan view of FIG. 1; FIG. 7 is a bottom plan view of FIG. 1; FIG. 8 is a perspective view of a second embodiment of the electronic cigarette; FIG. 9 is a right side elevation view of FIG. 8; FIG. 10 is a left side elevation view of FIG. 8; FIG. 11 is a front elevation view of FIG. 8; FIG. 12 is a rear elevation view of FIG. 8; FIG. 13 is a top plan view of FIG. 8; FIG. 14 is a bottom plan view of FIG. 8; FIG. 15 is a perspective view of a third embodiment of the electronic cigarette; FIG. 16 is a right side elevation view of FIG. 15; FIG. 17 is a left side elevation view of FIG. 15; FIG. 18 is a front elevation view of FIG. 15; FIG. 19 is a rear elevation view of FIG. 15; FIG. 20 is a top plan view of FIG. 15; and, FIG. 21 is a bottom plan view of FIG. 15. The broken lines depict portions of the electronic cigarette and form no part of the claimed design.

1 Claim, 21 Drawing Sheets



(56)

References Cited

U.S. PATENT DOCUMENTS

D684,311 S * 6/2013 Liu D27/101
D695,450 S * 12/2013 Benassayag D24/110.5
D720,499 S * 12/2014 Alima D27/167
D720,881 S * 1/2015 Liu D27/101
D722,956 S * 2/2015 Alima D13/103
D759,297 S * 6/2016 Liu D27/101
D776,337 S * 1/2017 Levin D27/101
D778,492 S * 2/2017 Liu D27/101
D783,117 S * 4/2017 Gilbarte D22/117
D785,859 S * 5/2017 Pang D27/101
D787,114 S * 5/2017 Scott D27/194
D792,022 S * 7/2017 Li D27/167
2006/0272659 A1 * 12/2006 Kobal A24F 13/02
131/187
2014/0216483 A1 * 8/2014 Alima A24F 47/008
131/329
2015/0189916 A1 * 7/2015 Wu A24F 47/008
219/510

* cited by examiner

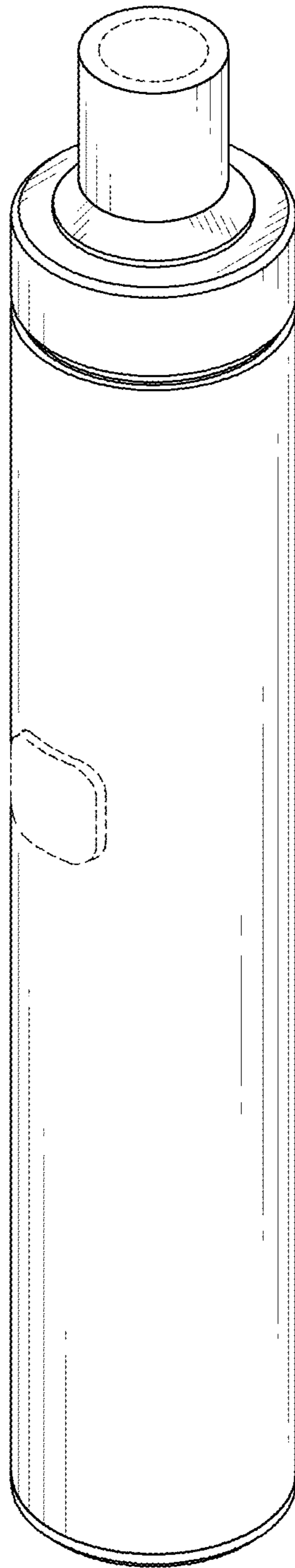


FIG. 1

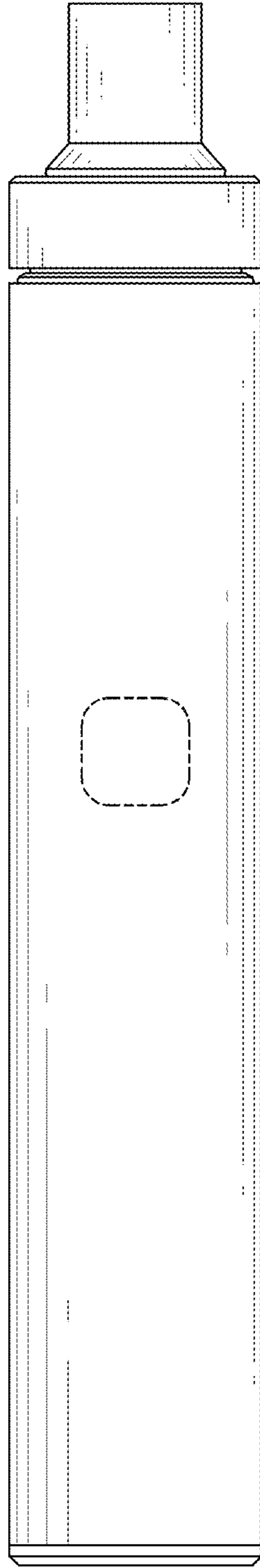


FIG. 2

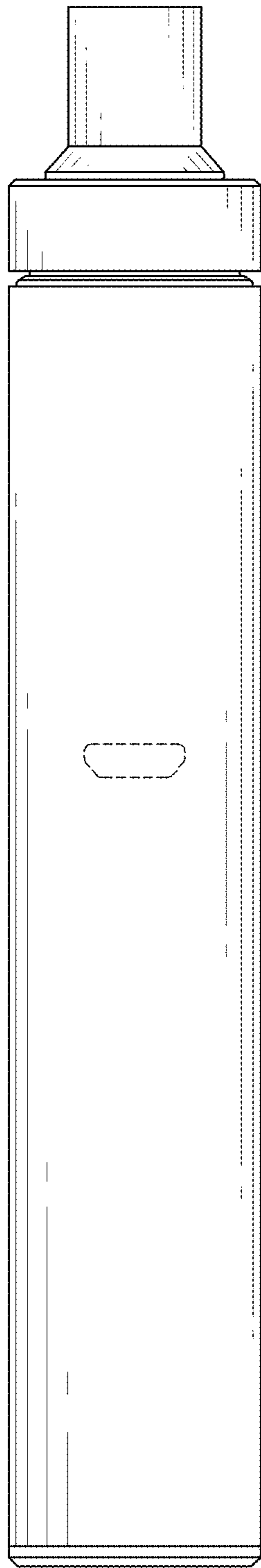


FIG. 3

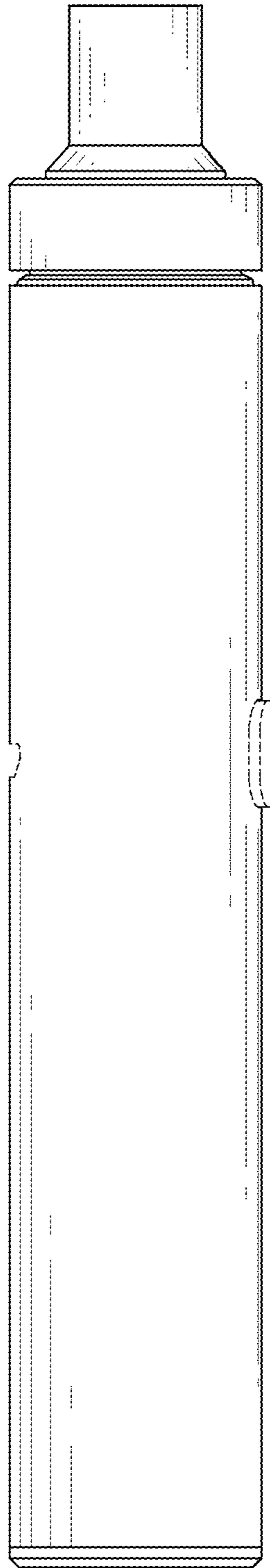


FIG. 4

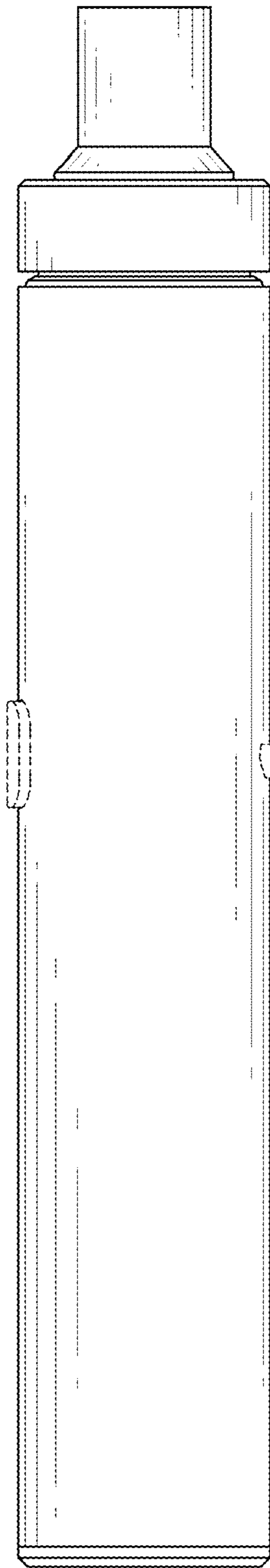


FIG. 5

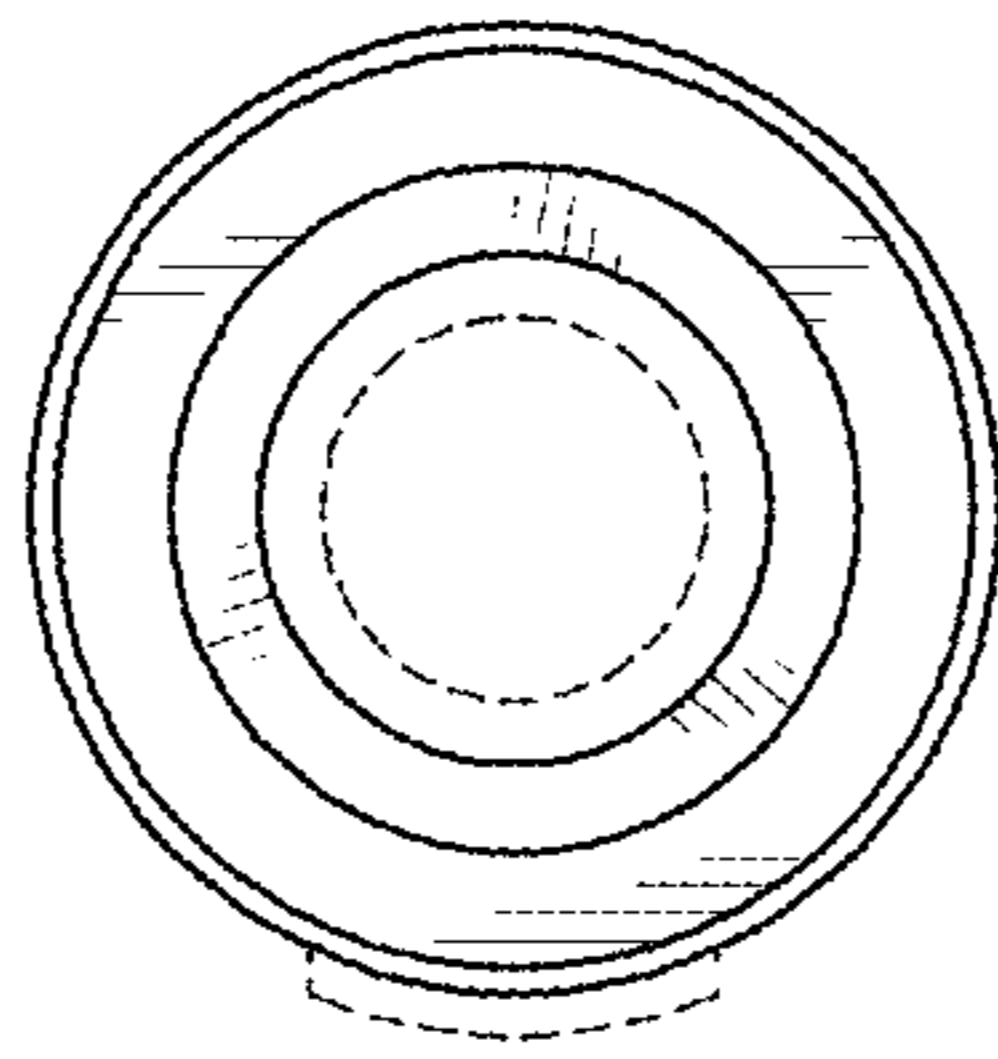


FIG. 6

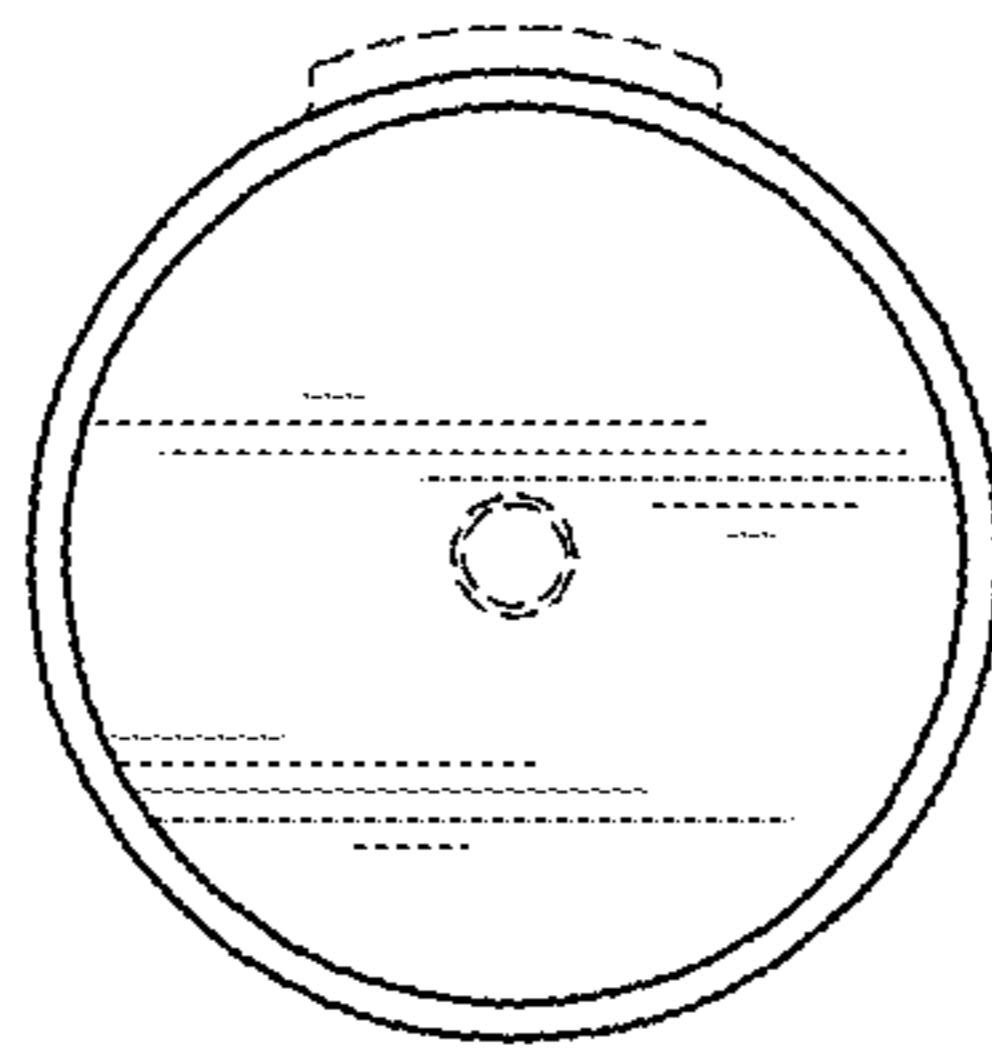


FIG. 7

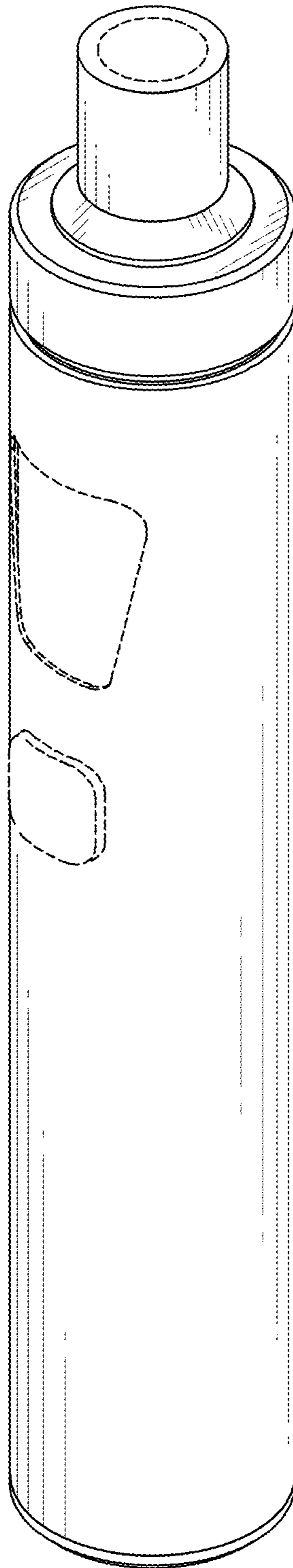


FIG. 8

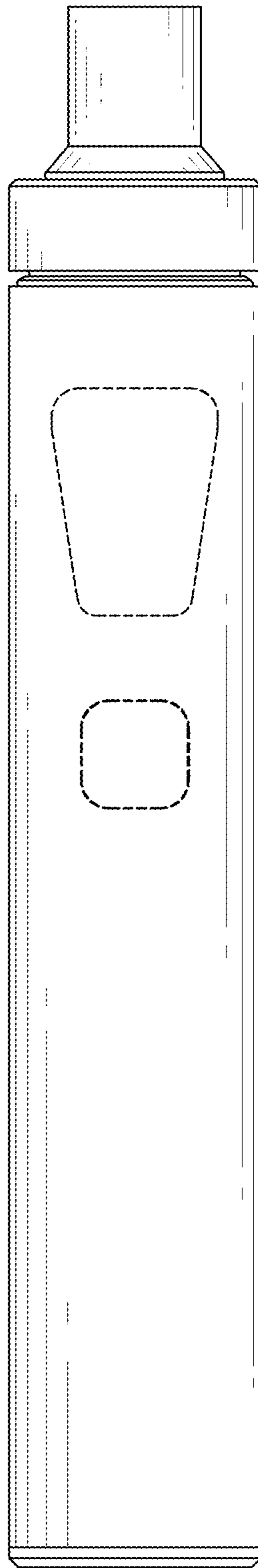


FIG. 9

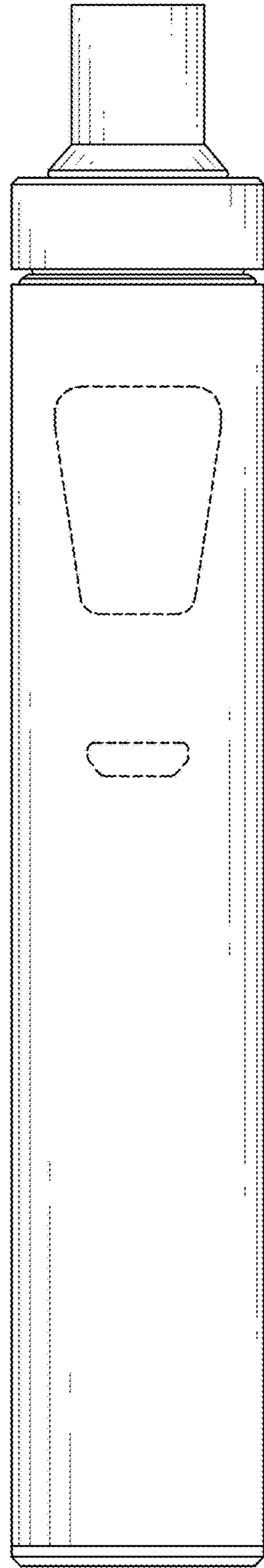


FIG. 10

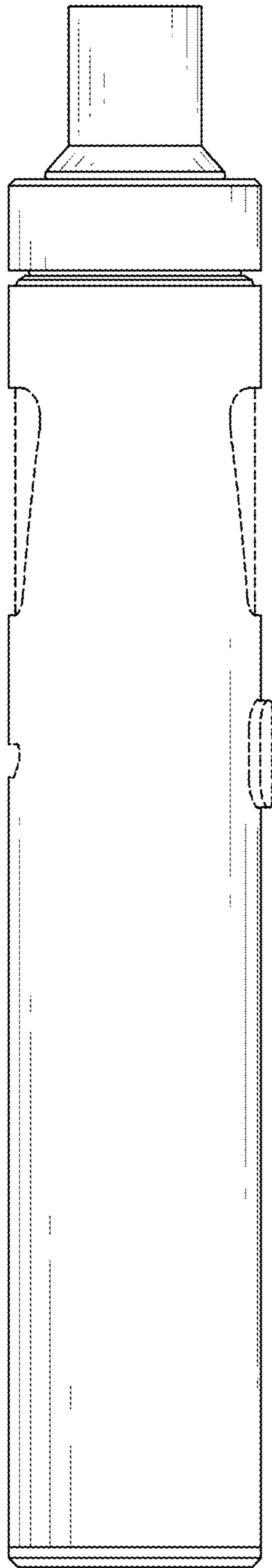


FIG. 11

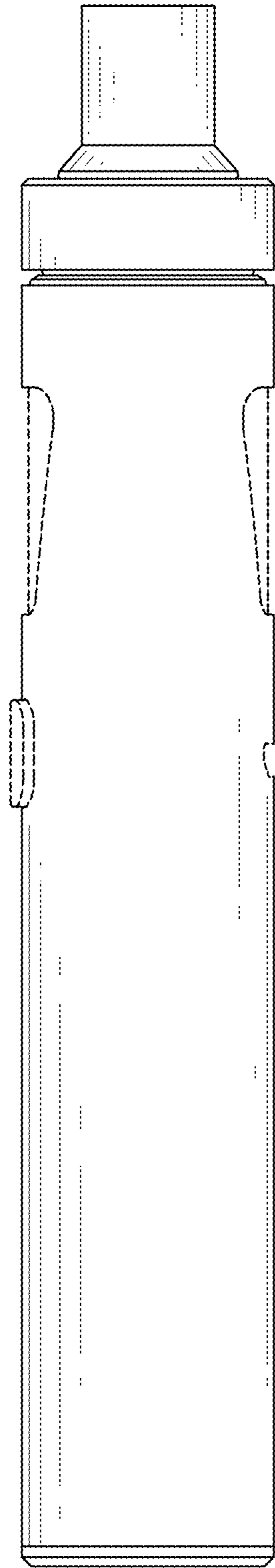


FIG. 12

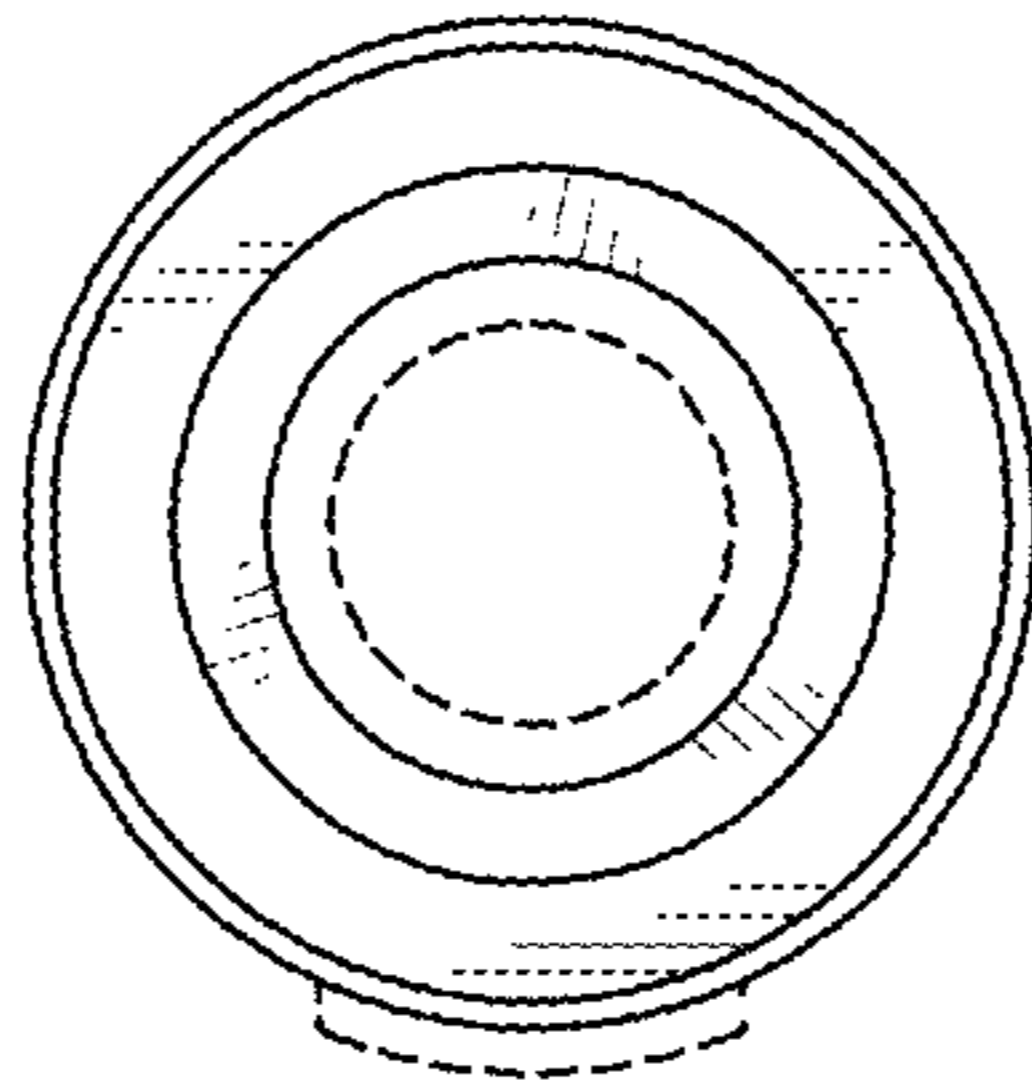


FIG. 13

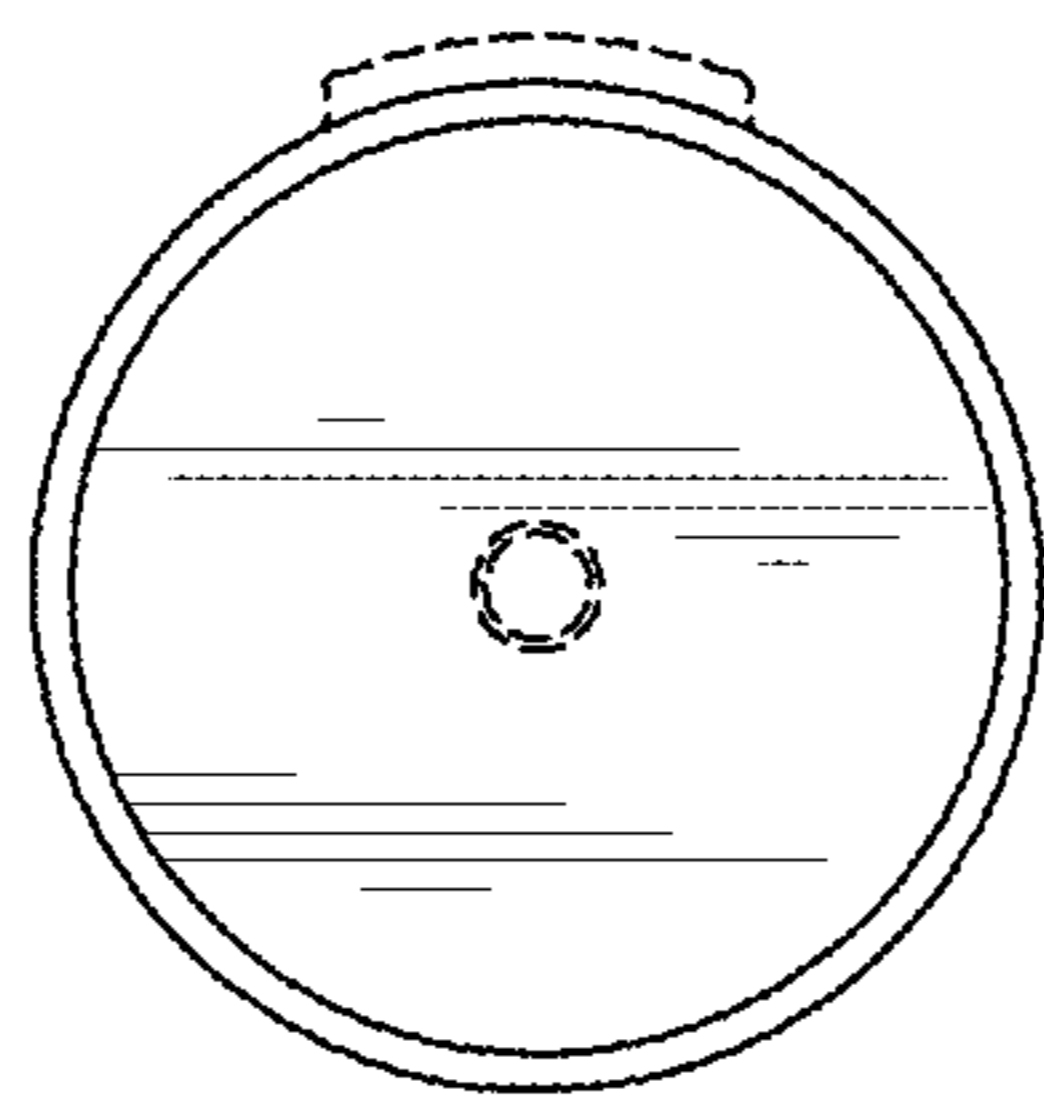


FIG. 14

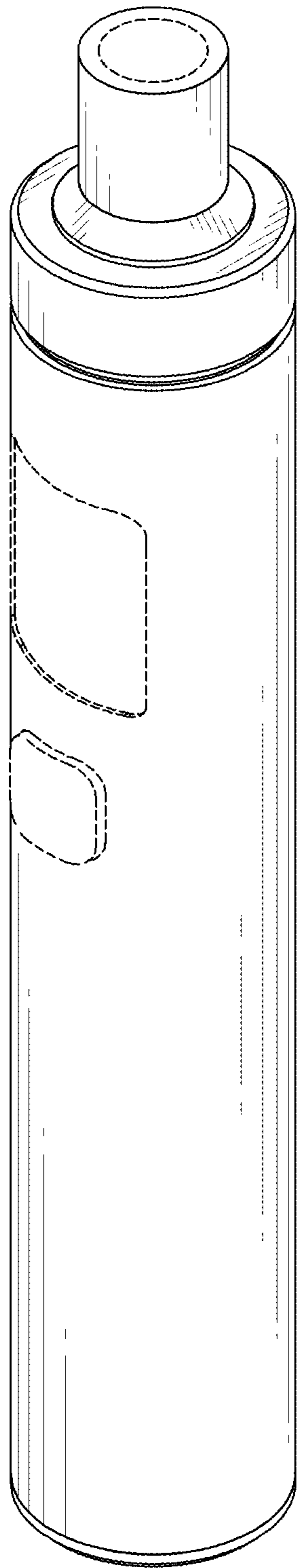


FIG. 15

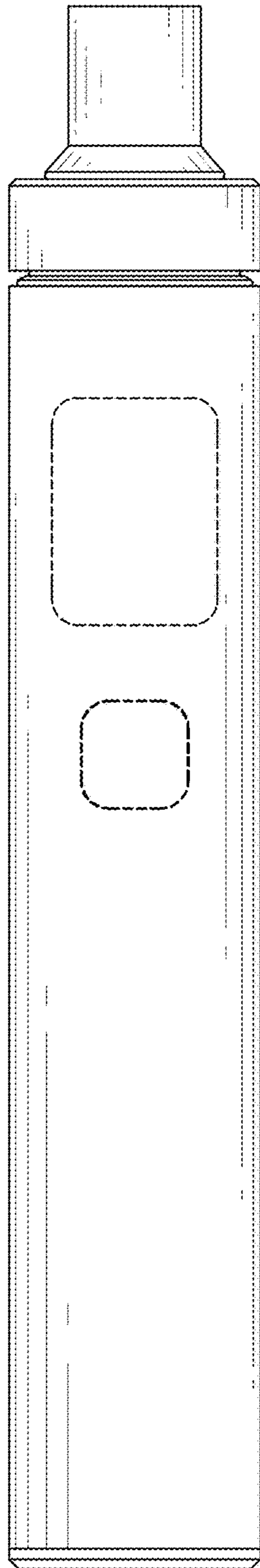


FIG. 16

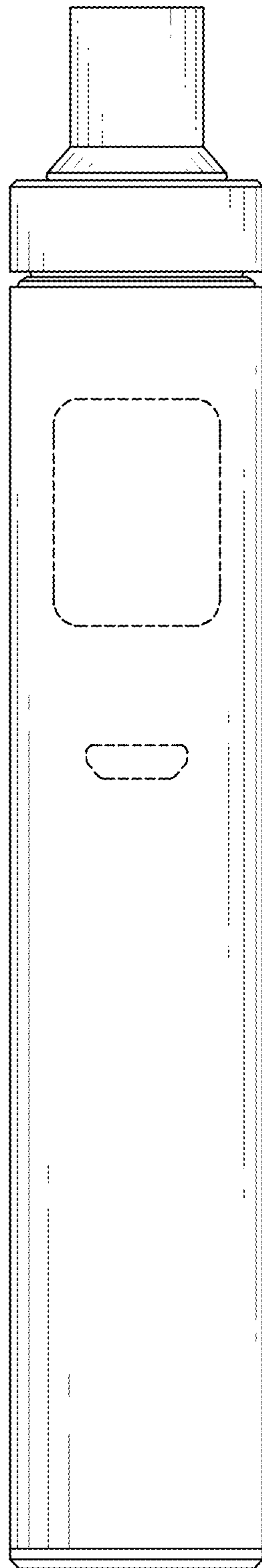


FIG. 17

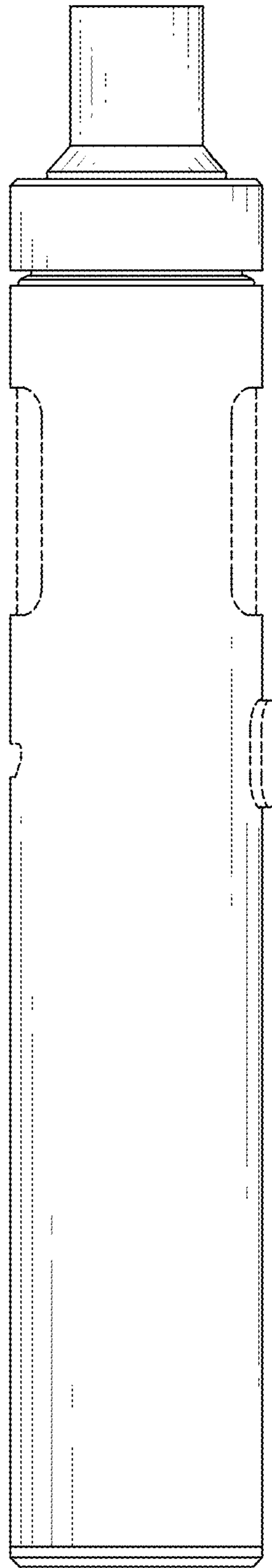


FIG. 18

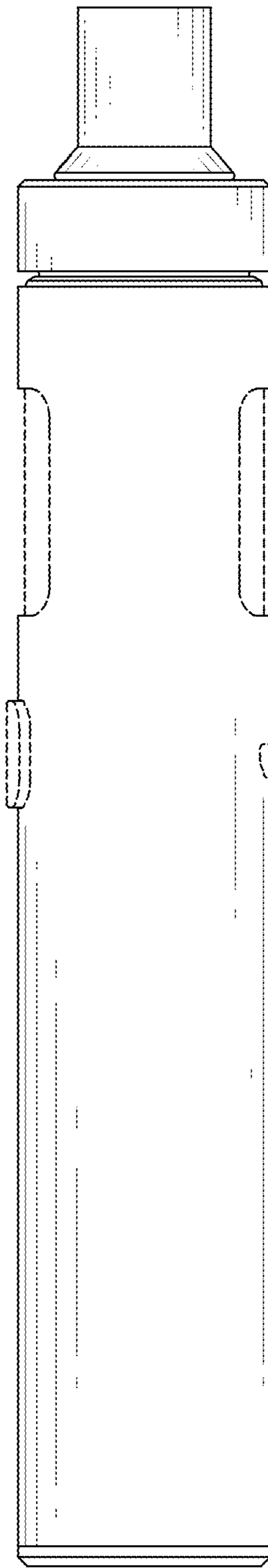


FIG. 19

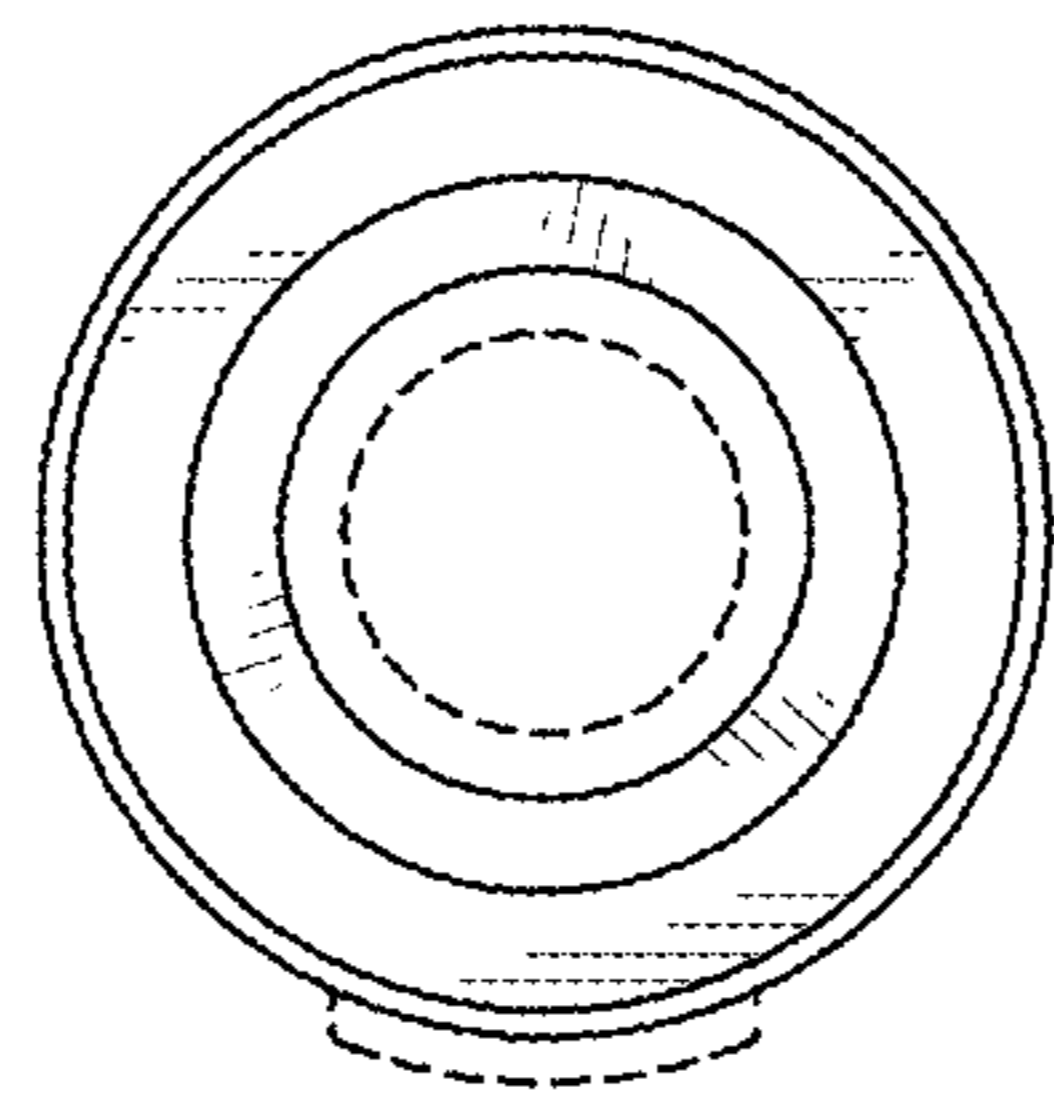


FIG. 20

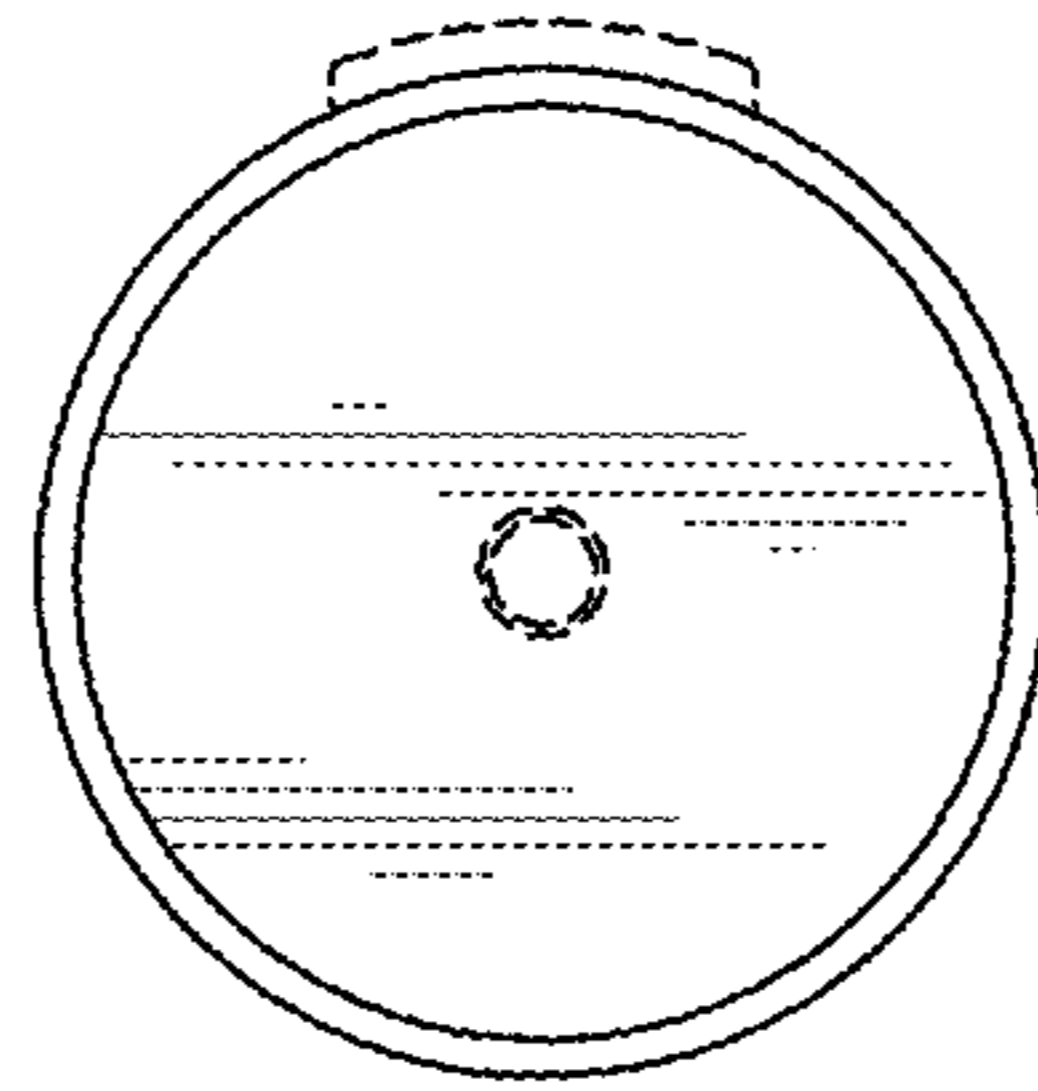


FIG. 21