



US00D806941S

(12) **United States Design Patent**  
**Hawes et al.**

(10) **Patent No.:** **US D806,941 S**  
(45) **Date of Patent:** **\*\* Jan. 2, 2018**

- (54) **E-VAPOR DEVICE INCLUDING PRE-SEALED CARTRIDGE**
- (71) Applicant: **Altria Client Services LLC**,  
Richmond, VA (US)
- (72) Inventors: **Eric Hawes**, Midlothian, VA (US);  
**Raymond Lau**, Richmond, VA (US);  
**Ben Sharp**, Cambridge (GB)
- (73) Assignee: **Altria Client Services LLC**,  
Richmond, VA (US)
- (\*\*) Term: **15 Years**
- (21) Appl. No.: **29/574,188**
- (22) Filed: **Aug. 12, 2016**

**Related U.S. Application Data**

- (63) Continuation-in-part of application No. 14/998,040,  
filed on Apr. 22, 2015.
- (51) **LOC (11) Cl.** ..... **27-01**
- (52) **U.S. Cl.**  
USPC ..... **D27/101**
- (58) **Field of Classification Search**  
USPC ..... D27/101, 100, 162-171, 194; D24/108,  
D24/110, 110.5, 113  
(Continued)

**References Cited**

**U.S. PATENT DOCUMENTS**

- D170,320 S \* 9/1953 Holge ..... 131/175
  - 5,269,327 A 12/1993 Counts et al.
- (Continued)

**FOREIGN PATENT DOCUMENTS**

- CA 2866283 A1 12/2014
- WO WO-2013/040193 A2 3/2013

*Primary Examiner* — Eric Goodman  
*Assistant Examiner* — Jennifer Campbell  
(74) *Attorney, Agent, or Firm* — Harness, Dickey &  
Pierce, P.L.C.

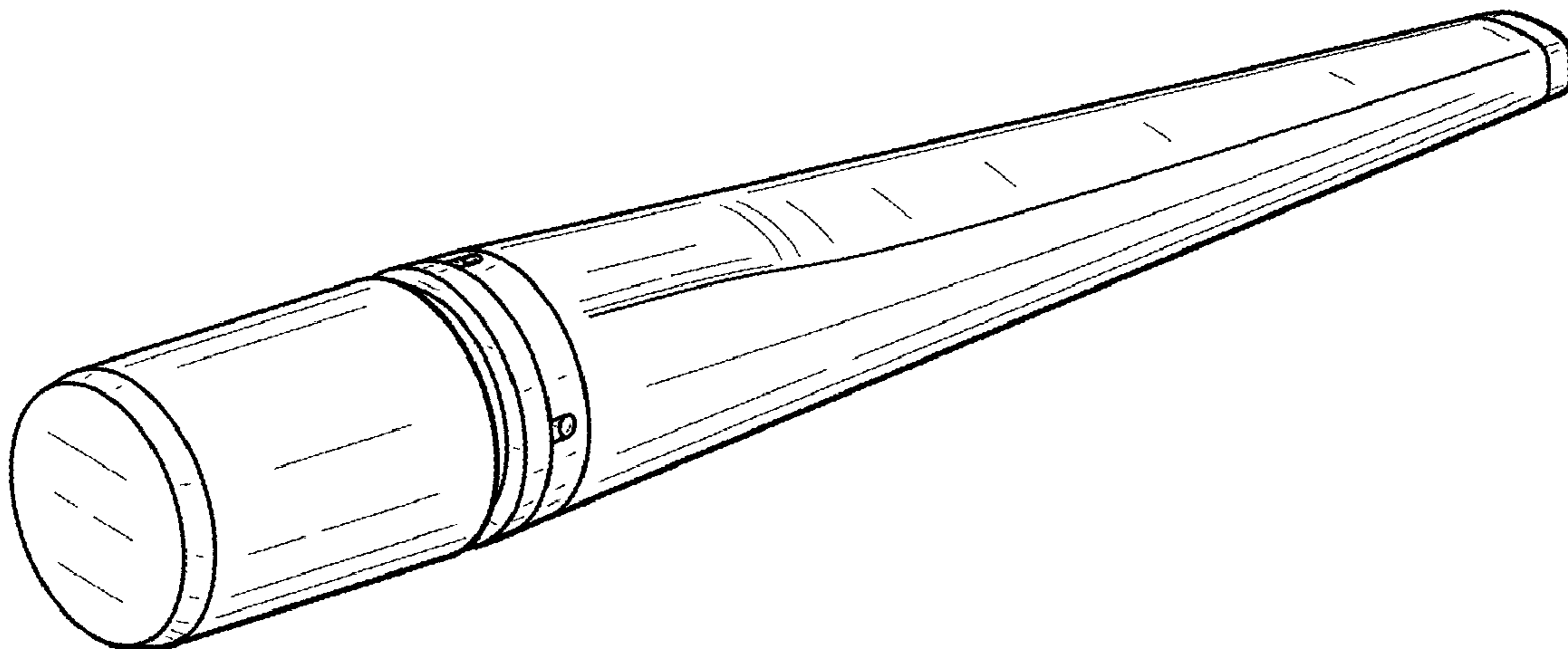
(57) **CLAIM**

We claim the ornamental design for an e-vapor device including pre-sealed cartridge, as shown and described.

**DESCRIPTION**

FIG. 1 is a top view of a first embodiment of an e-vapor device including pre-sealed cartridge, the bottom being a mirror image thereof;  
 FIG. 2 is a left side elevation view of the first embodiment of the e-vapor device of FIG. 1, the right side being a mirror image thereof;  
 FIG. 3 is a first end view of the first embodiment of the e-vapor device of FIG. 1;  
 FIG. 4 is a second end view of the first embodiment of the e-vapor device of FIG. 1;  
 FIG. 5 is a top perspective view of the first embodiment of the e-vapor device of FIG. 1, the bottom perspective view being a mirror image thereof;  
 FIG. 6 is a top view of a second embodiment of an e-vapor device including pre-sealed cartridge, the bottom being a mirror image thereof;  
 FIG. 7 is a left side elevation view of the second embodiment of the e-vapor device of FIG. 6, the right side being a mirror image thereof;  
 FIG. 8 is a first end view of the second embodiment of the e-vapor device of FIG. 6;  
 FIG. 9 is a second end view of the second embodiment of the e-vapor device of FIG. 6; and,  
 FIG. 10 is a top perspective view of the second embodiment of the e-vapor device of FIG. 6, the bottom perspective view being a mirror image thereof.  
 The portions of the design shown in broken lines form no part of the claimed design.

**1 Claim, 6 Drawing Sheets**



(58) **Field of Classification Search**  
 CPC ..... A24F 1/00; A24F 1/02; A24F 1/04; A24F  
 1/06; A24F 1/08; A24F 1/10; A24F 1/12;  
 A24F 1/14; A24F 1/26; A24F 1/28; A24F  
 7/00; A24F 7/02; A24F 7/04

See application file for complete search history.

(56) **References Cited**

U.S. PATENT DOCUMENTS

D653,803 S \* 2/2012 Timmermans ..... D27/163  
 8,757,169 B2 6/2014 Gysland  
 8,851,068 B2 10/2014 Cohen et al.  
 D718,492 S \* 11/2014 Albanese ..... D27/101  
 D754,916 S \* 4/2016 Irvin ..... D27/163  
 D757,352 S \* 5/2016 Bagai ..... D27/101  
 D757,353 S \* 5/2016 Nunnelly ..... D27/101  
 D757,994 S \* 5/2016 Moradian ..... D27/101  
 D758,651 S \* 6/2016 Wu ..... D27/101  
 D761,998 S \* 7/2016 Pinder ..... D27/101  
 D773,729 S \* 12/2016 Jordan ..... D27/194  
 D782,728 S \* 3/2017 Pinder ..... D27/101

D782,729 S \* 3/2017 Wright ..... D27/101  
 D792,644 S \* 7/2017 Jordan ..... D27/101  
 2012/0067358 A1\* 3/2012 Rasch ..... A24F 47/002  
 131/273  
 2013/0068239 A1\* 3/2013 Youn ..... A24F 47/008  
 131/273  
 2013/0081642 A1 4/2013 Safari  
 2013/0152922 A1 6/2013 Benassayag et al.  
 2013/0298905 A1 11/2013 Levin et al.  
 2014/0026903 A1\* 1/2014 Haider ..... A24F 7/00  
 131/229  
 2014/0041658 A1 2/2014 Goodman et al.  
 2014/0096782 A1 4/2014 Ampolini et al.  
 2014/0109921 A1 4/2014 Chen  
 2014/0158129 A1 6/2014 Pratt, Jr. et al.  
 2014/0224248 A1 8/2014 Edwards et al.  
 2014/0253144 A1 9/2014 Novak, III et al.  
 2014/0270727 A1 9/2014 Ampolini et al.  
 2014/0283859 A1 9/2014 Minskoff et al.  
 2015/0040929 A1 2/2015 Hon  
 2016/0366941 A1\* 12/2016 Lin ..... A24F 47/008  
 2017/0042246 A1\* 2/2017 Lau ..... B65D 25/04  
 2017/0108840 A1\* 4/2017 Hawes ..... A24F 47/008

\* cited by examiner

FIG. 1

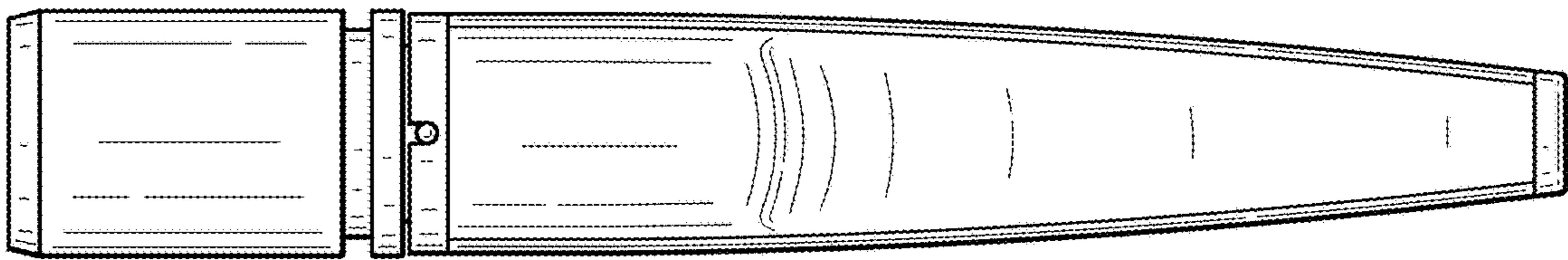


FIG. 2

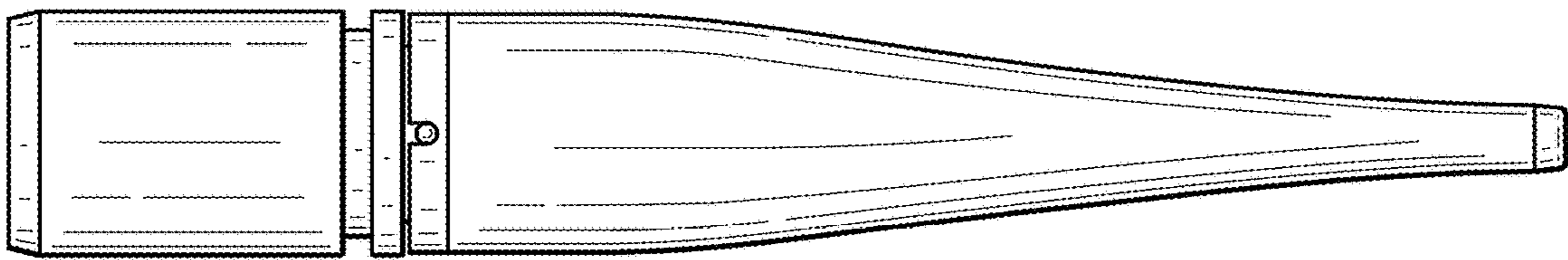


FIG. 3

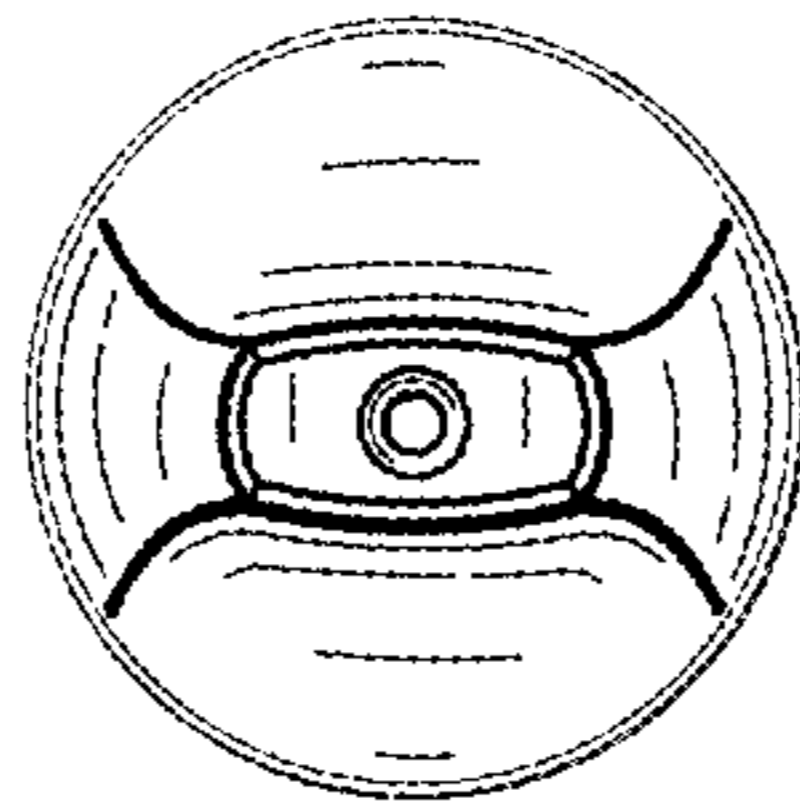


FIG. 4

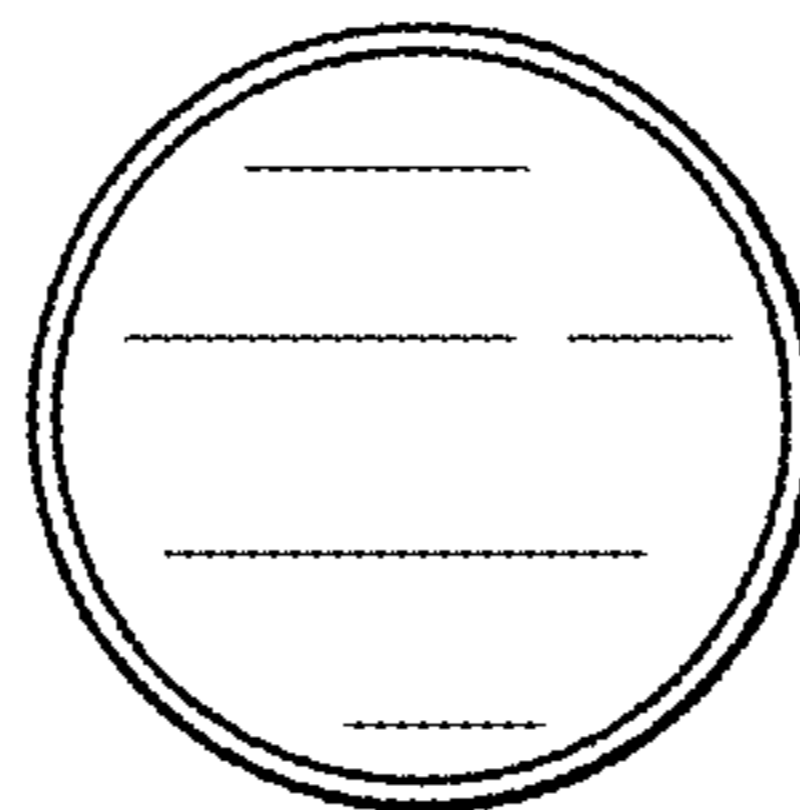


FIG. 5

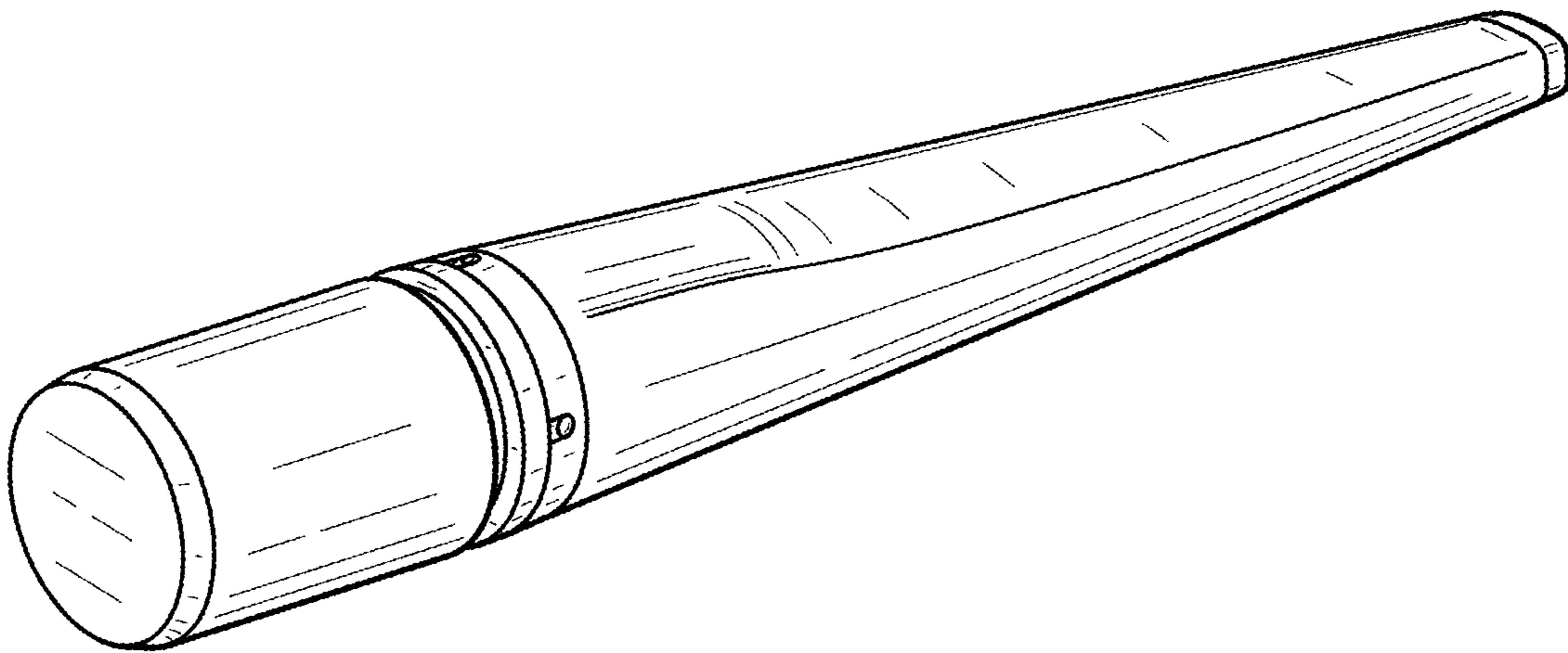


FIG. 6

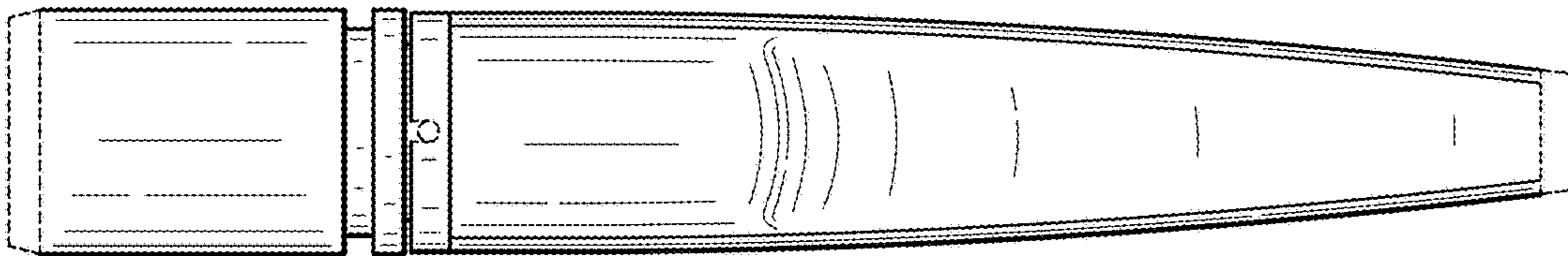


FIG. 7

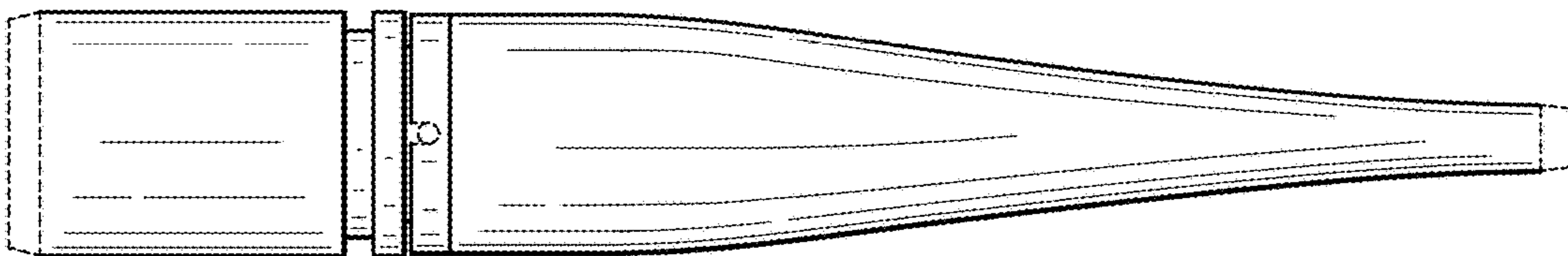


FIG. 8

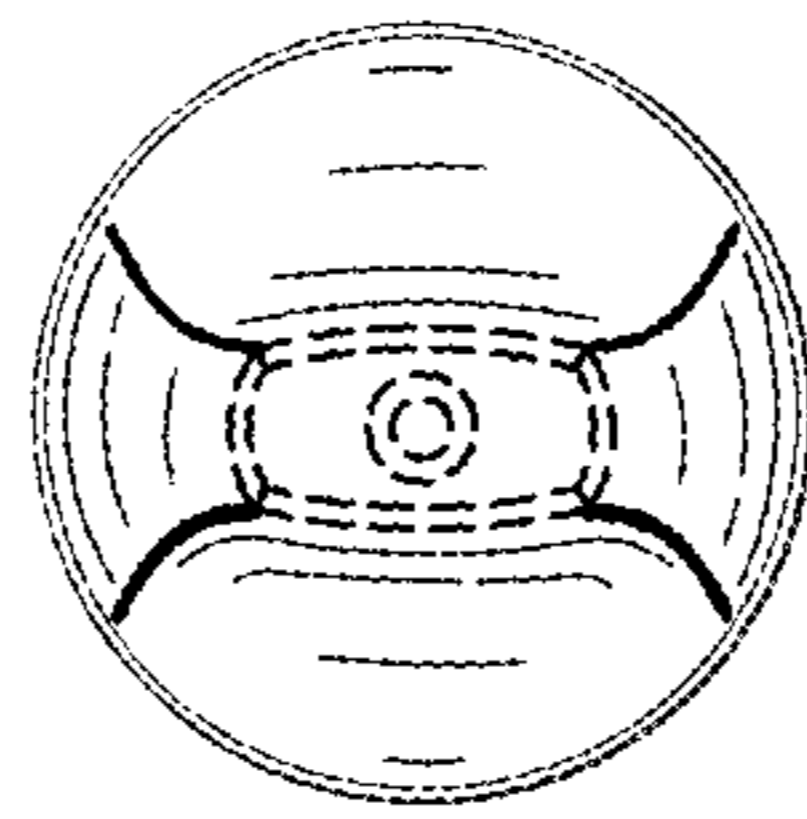


FIG. 9

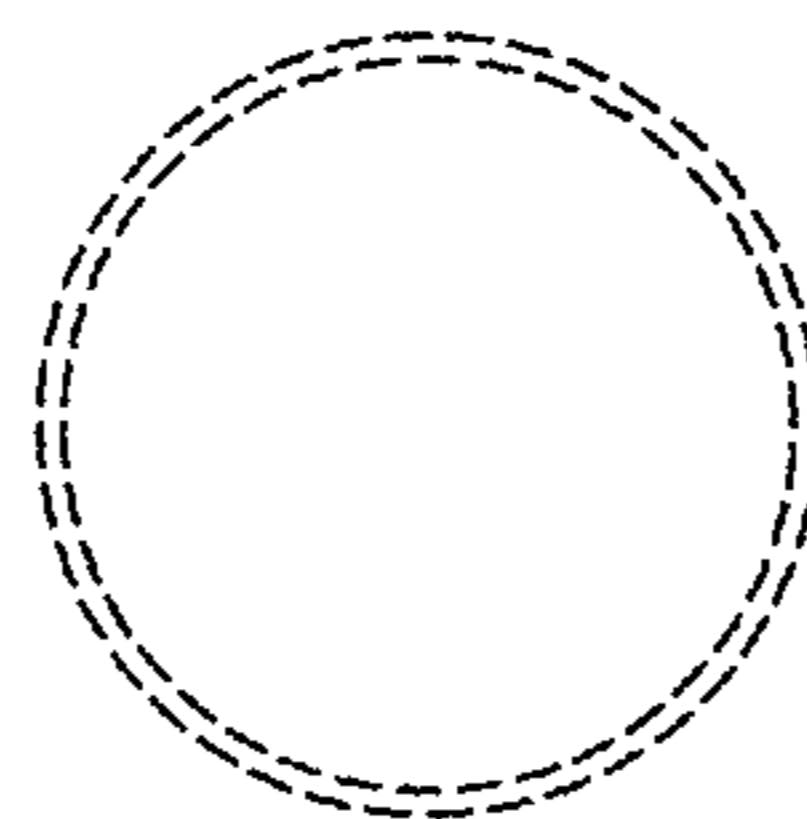


FIG. 10

