



US00D806940S

(12) **United States Design Patent**  
**Christensen**

(10) **Patent No.:** **US D806,940 S**

(45) **Date of Patent:** **\*\* Jan. 2, 2018**

(54) **LANTERN LIGHT COLUMN**

(71) Applicant: **Simple Products Corporation**, Draper, UT (US)

(72) Inventor: **Brian Christensen**, Draper, UT (US)

(73) Assignee: **Simple Products Corporation**, Draper, UT (US)

(\*\*) Term: **15 Years**

(21) Appl. No.: **29/551,927**

(22) Filed: **Jan. 19, 2016**

(51) **LOC (11) Cl.** ..... **26-05**

(52) **U.S. Cl.**  
USPC ..... **D26/142**

(58) **Field of Classification Search**  
USPC ..... D26/76, 78, 79, 80, 81, 82, 83, 85, 86,  
D26/88, 90, 113, 118, 119, 120, 121, 122,  
D26/138, 139, 140, 141, 142, 152  
CPC ..... F21S 2/00; F21S 4/00; F21S 4/003; F21S  
4/005; F21S 4/006; F21S 4/007; F21S  
4/008; F21S 6/00; F21S 8/00; F21S  
8/024; F21S 8/026; F21S 8/031; F21S  
8/033; F21S 8/035–8/037; F21S 8/04;  
F21S 8/043; F21S 8/063

See application file for complete search history.

(56) **References Cited**

**U.S. PATENT DOCUMENTS**

D358,115 S \* 5/1995 Rahr ..... D11/143  
D468,471 S \* 1/2003 Chen ..... D26/67  
D469,916 S \* 2/2003 Caferro ..... D26/123  
D506,280 S \* 6/2005 Chen ..... D26/67

D560,026 S \* 1/2008 Shulem ..... D26/142  
D589,178 S \* 3/2009 Conway ..... D26/20  
D591,869 S \* 5/2009 Hurel ..... D26/22  
D604,896 S \* 11/2009 Chen ..... D26/142  
D673,723 S \* 1/2013 Cartwright ..... D26/142  
D673,727 S \* 1/2013 Cartwright ..... D26/142  
D727,559 S \* 4/2015 Chen ..... D26/122  
D777,371 S \* 1/2017 Yang ..... D26/142  
D783,200 S \* 4/2017 Nanni ..... D26/142  
D788,361 S \* 5/2017 Reynolds ..... D26/142  
D790,764 S \* 6/2017 Hood ..... D26/142

\* cited by examiner

*Primary Examiner* — George D. Kirschbaum

*Assistant Examiner* — Natasha Vujcic

(74) *Attorney, Agent, or Firm* — Thorpe North & Western, LLP

(57) **CLAIM**

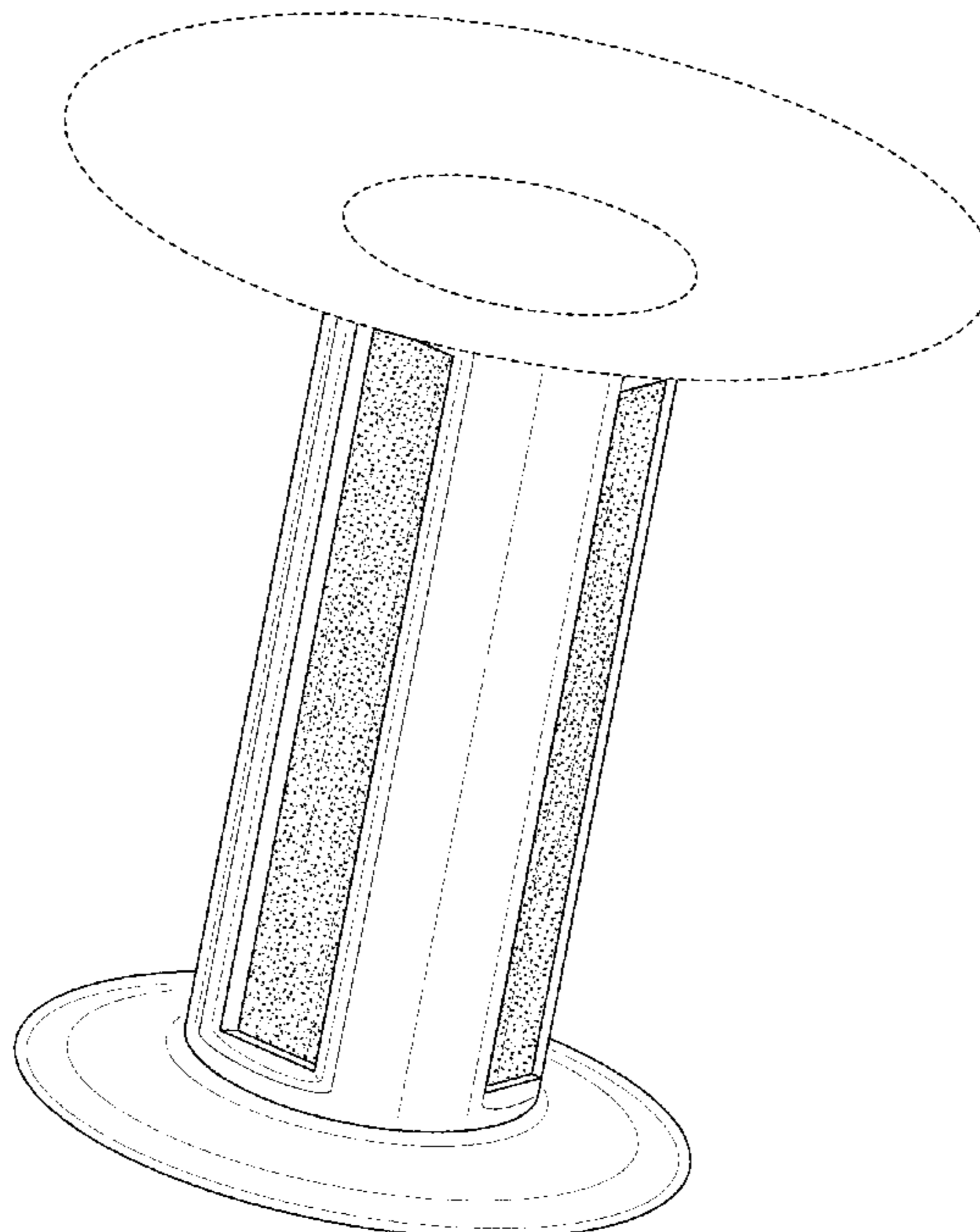
The ornamental design for a lantern light column, as shown and described.

**DESCRIPTION**

FIG. 1 is a perspective front view of a lantern light column in accordance with my invention;  
FIG. 2 is a front view thereof;  
FIG. 3 is a right view thereof;  
FIG. 4 is a left view thereof;  
FIG. 5 is a back view thereof;  
FIG. 6 is a top view thereof; and,  
FIG. 7 is a bottom view thereof.

The surface indicia of parallel lines indicate mirror surfaces. Throughout the drawings the broken lines illustrate unclaimed subject matter only and form no part of the claimed design.

**1 Claim, 7 Drawing Sheets**



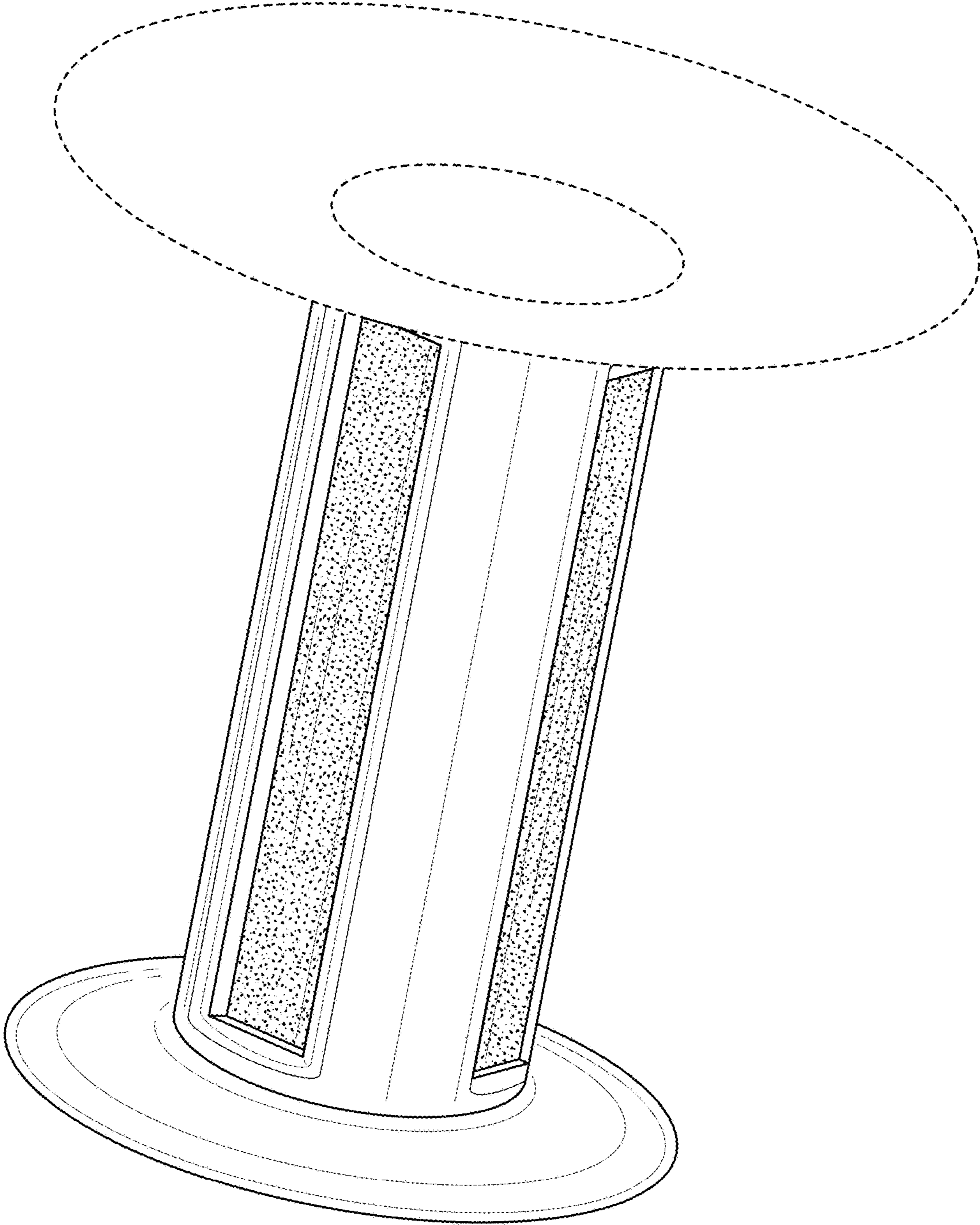


FIG. 1

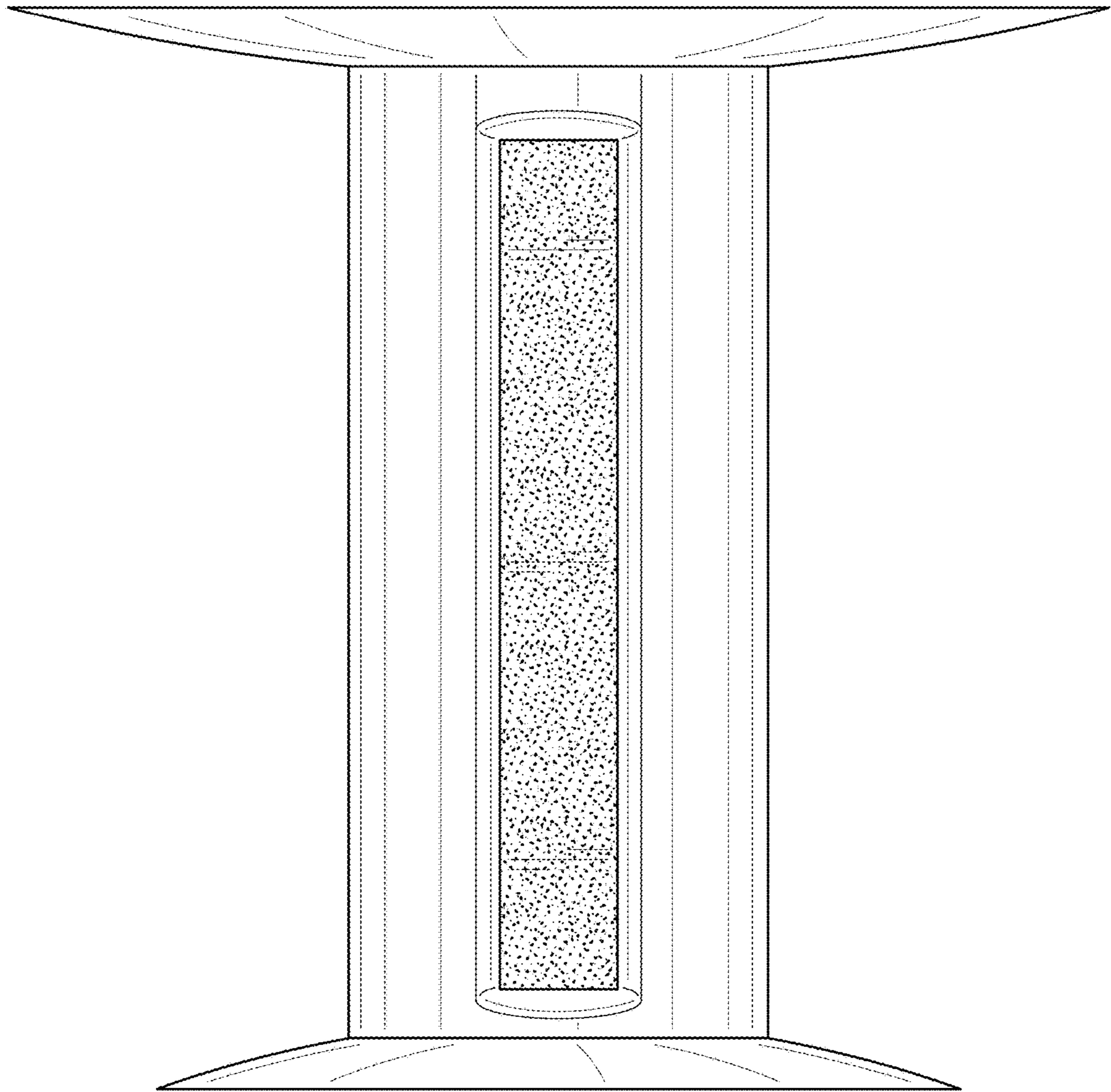


FIG. 2

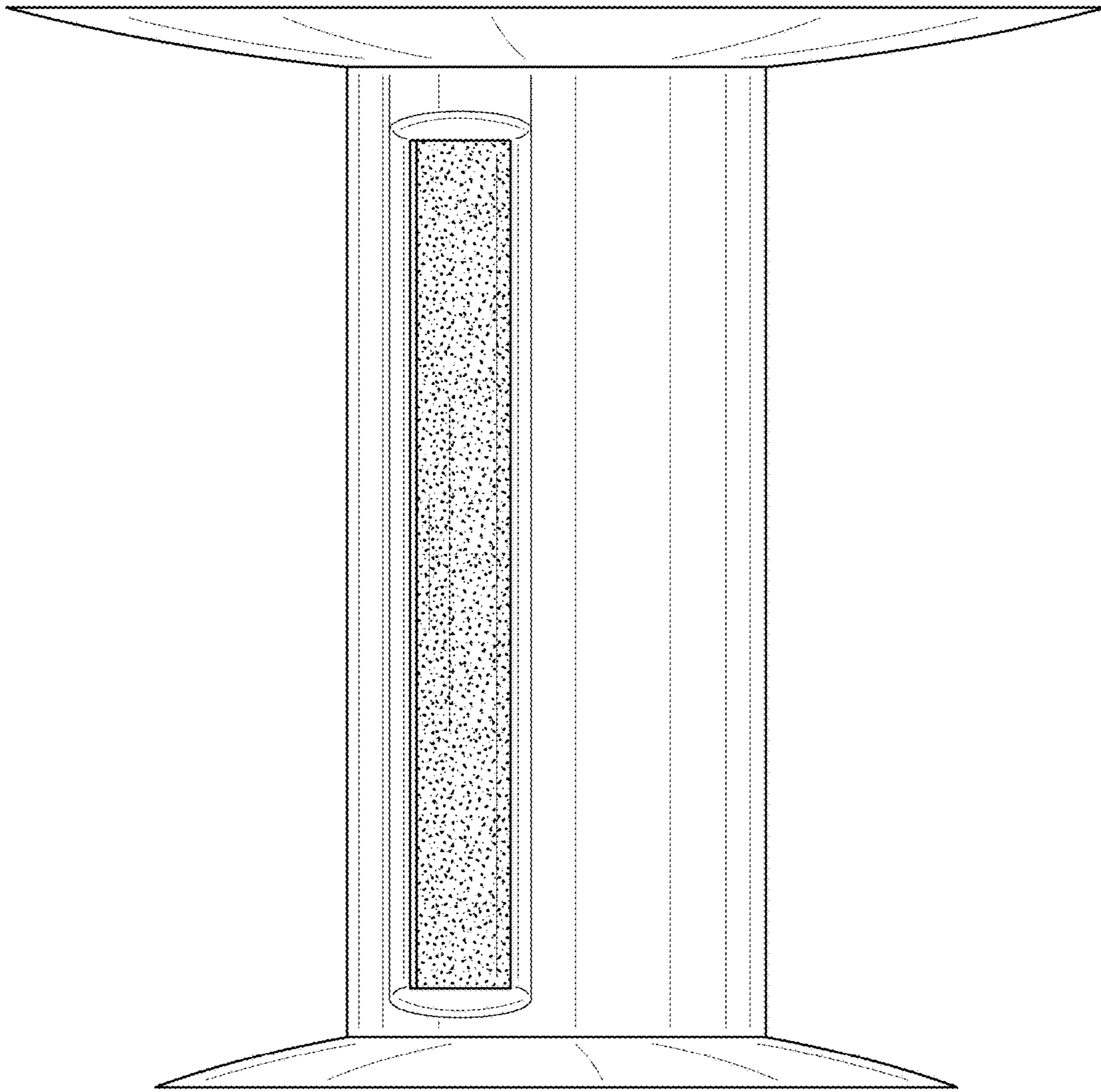


FIG. 3



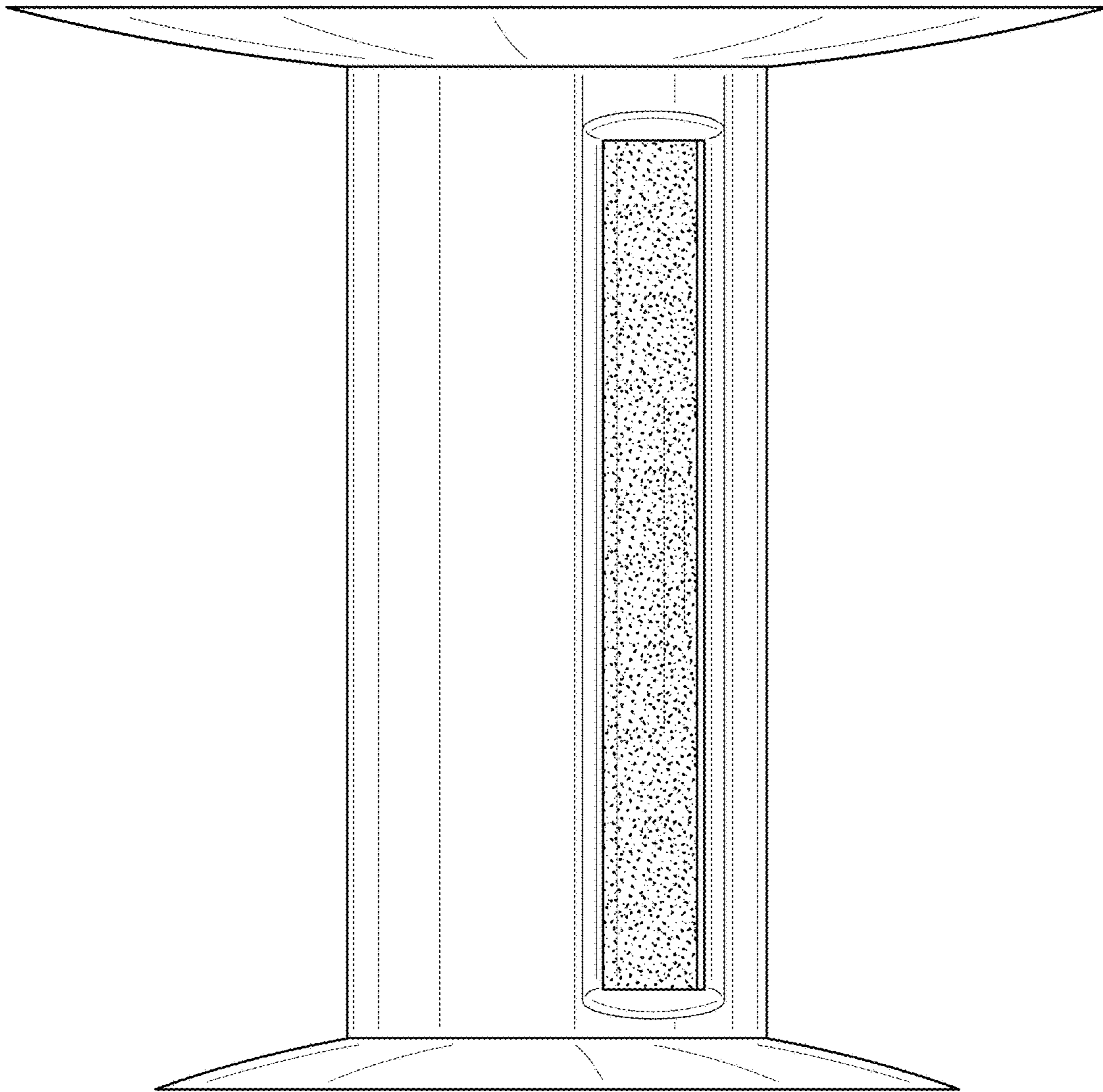


FIG. 4

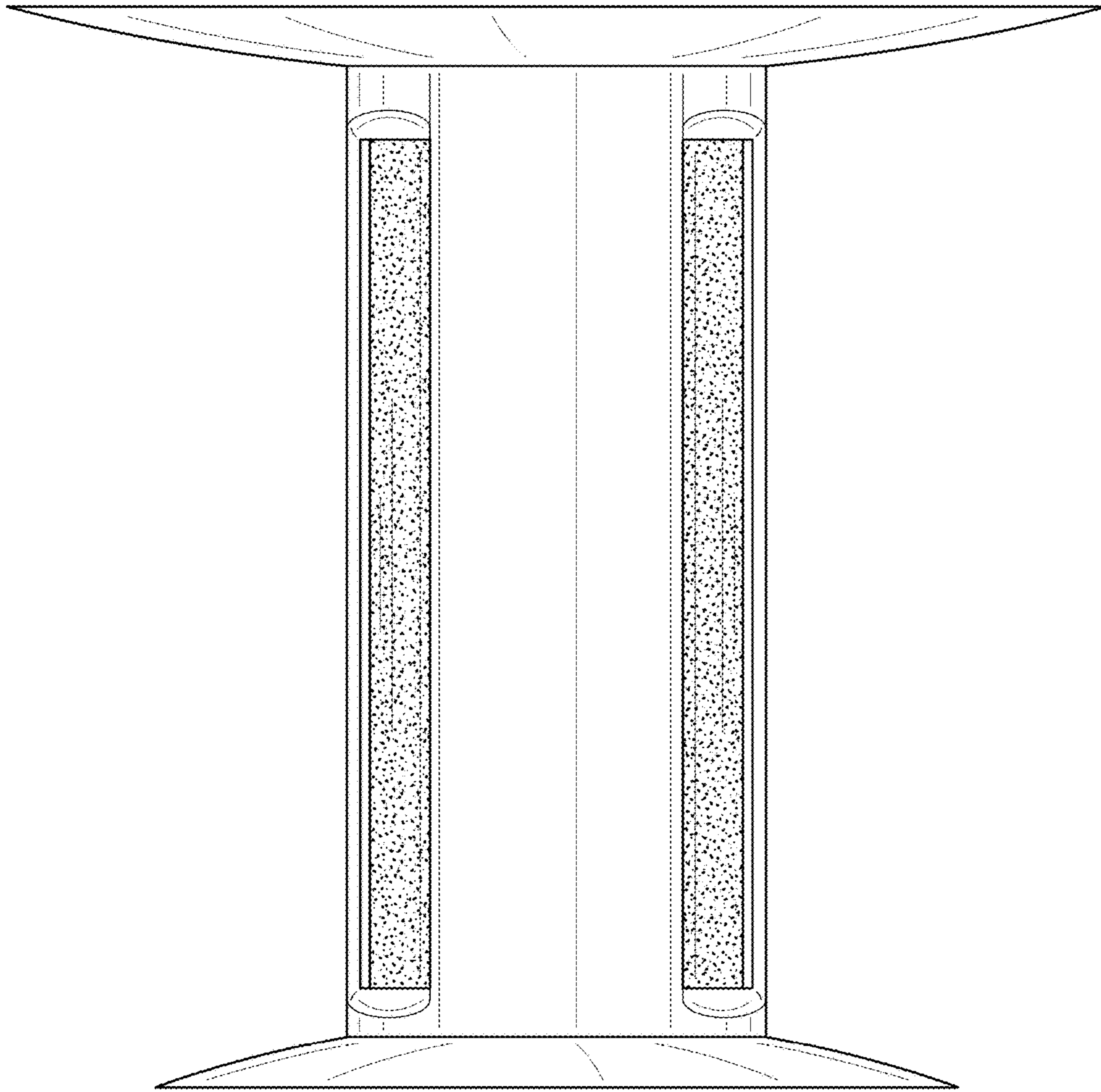


FIG. 5

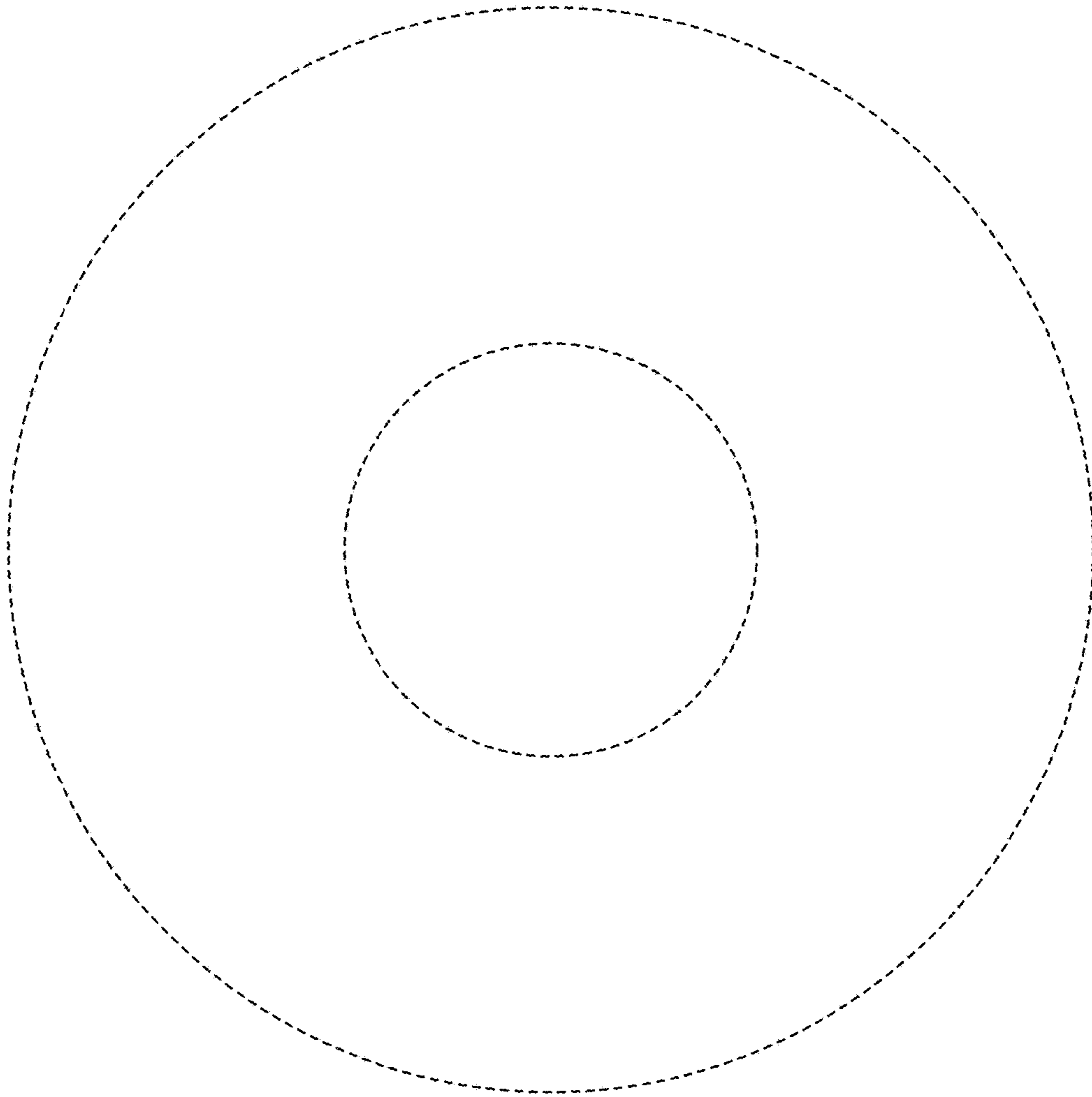


FIG. 6

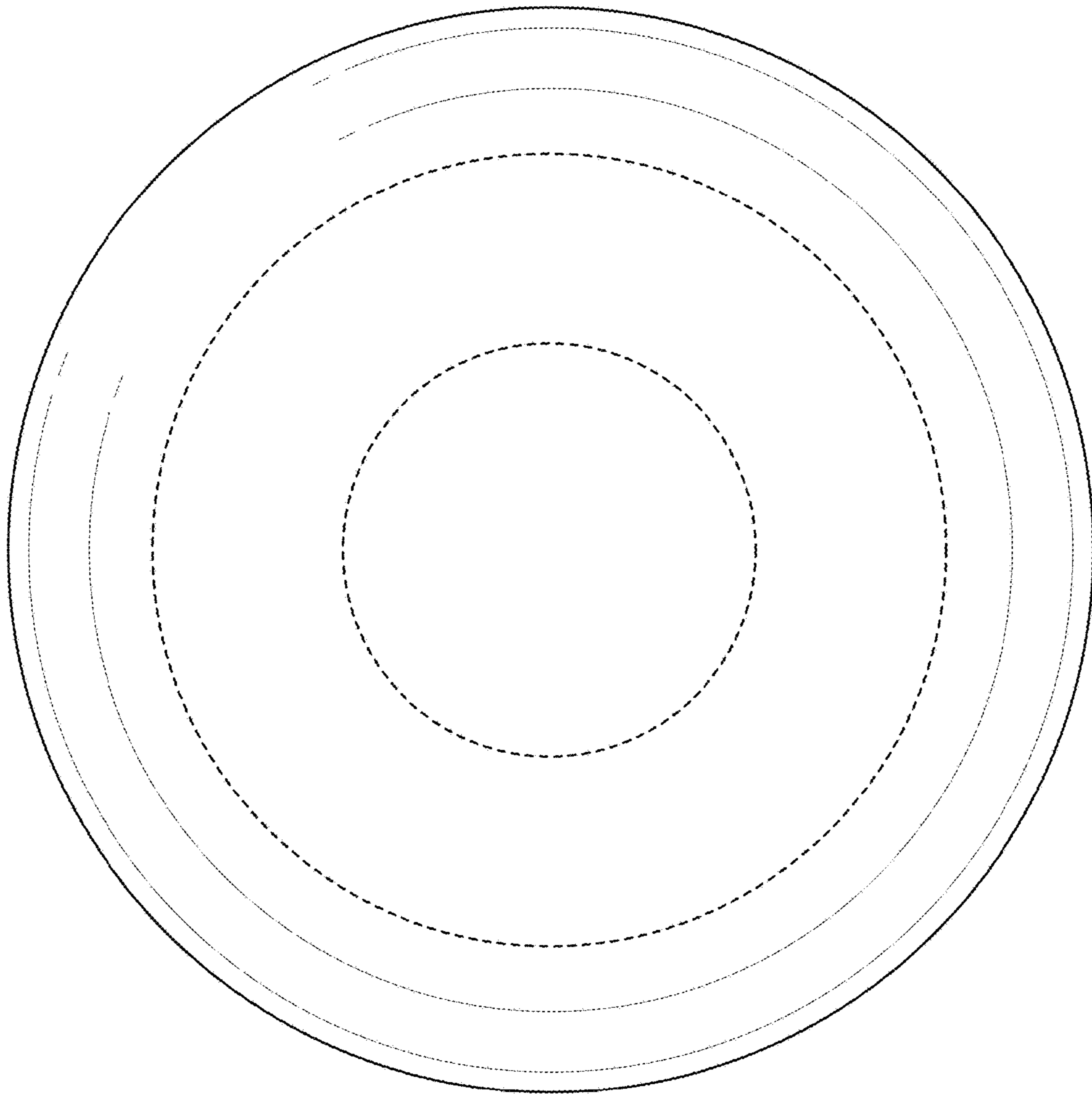


FIG. 7