



US00D806939S

(12) **United States Design Patent**
Klus

(10) **Patent No.:** **US D806,939 S**
(45) **Date of Patent:** **** Jan. 2, 2018**

(54) **HOUSING FOR LED-BASED LIGHTING APPARATUS**

(71) Applicant: **Sylwester Klus**, Kamionka (PL)

(72) Inventor: **Sylwester Klus**, Kamionka (PL)

(**) Term: **14 Years**

(21) Appl. No.: **29/514,276**

(22) Filed: **Jan. 9, 2015**

(51) **LOC (11) Cl.** **26-99**

(52) **U.S. Cl.**
USPC **D26/142**

(58) **Field of Classification Search**
USPC D26/2, 28, 72, 89, 113, 118, 119, 120,
D26/122, 124, 128, 138, 142, 143, 145,
D26/60; D13/180
CPC F41C 27/00; F41C 33/0254; G02B 5/045;
G02B 5/189; F21S 8/00; F21S 8/03;
F21S 8/026; F21S 8/02; F21S 8/003;
F21S 8/043; F21S 8/06; F21S 8/04; F21V
7/005; F21V 15/01; F21V 15/04; F21V
25/00; G02F 2001/133607; F21Y 2103/00
See application file for complete search history.

(56) **References Cited**

U.S. PATENT DOCUMENTS

5,040,347	A	*	8/1991	Valvis	E06B 3/68 29/445
D489,830	S	*	5/2004	Barnett	D25/119
D560,822	S	*	1/2008	Flehsig	D25/121
D577,857	S	*	9/2008	Tress	D26/141
D621,090	S	*	8/2010	Klu	D26/138
D649,683	S	*	11/2011	Trzesniowski	D26/138
D649,685	S	*	11/2011	Trzesniowski	D26/138
D649,686	S	*	11/2011	Trzesniowski	D26/138
D649,693	S	*	11/2011	Trzesniowski	D26/138

D652,986	S	*	1/2012	Trzesniowski	D26/138
D662,255	S	*	6/2012	Klu	D26/138
D662,256	S	*	6/2012	Klu	D26/138
D669,211	S	*	10/2012	Larson	D26/138
D683,893	S	*	6/2013	Ransvi	D26/138
D700,395	S	*	2/2014	Cavaliere	D26/142
D705,982	S	*	5/2014	Klus	D26/138
D705,983	S	*	5/2014	Klus	D26/138
D724,258	S	*	3/2015	Klus	D26/141
D724,261	S	*	3/2015	Klus	D26/141
D751,248	S	*	3/2016	Klus	D26/138
D757,993	S	*	5/2016	Klus	D26/138

* cited by examiner

Primary Examiner — Rosemary K Tarcza
Assistant Examiner — Sanjeev Paul
(74) *Attorney, Agent, or Firm* — Mark Terry

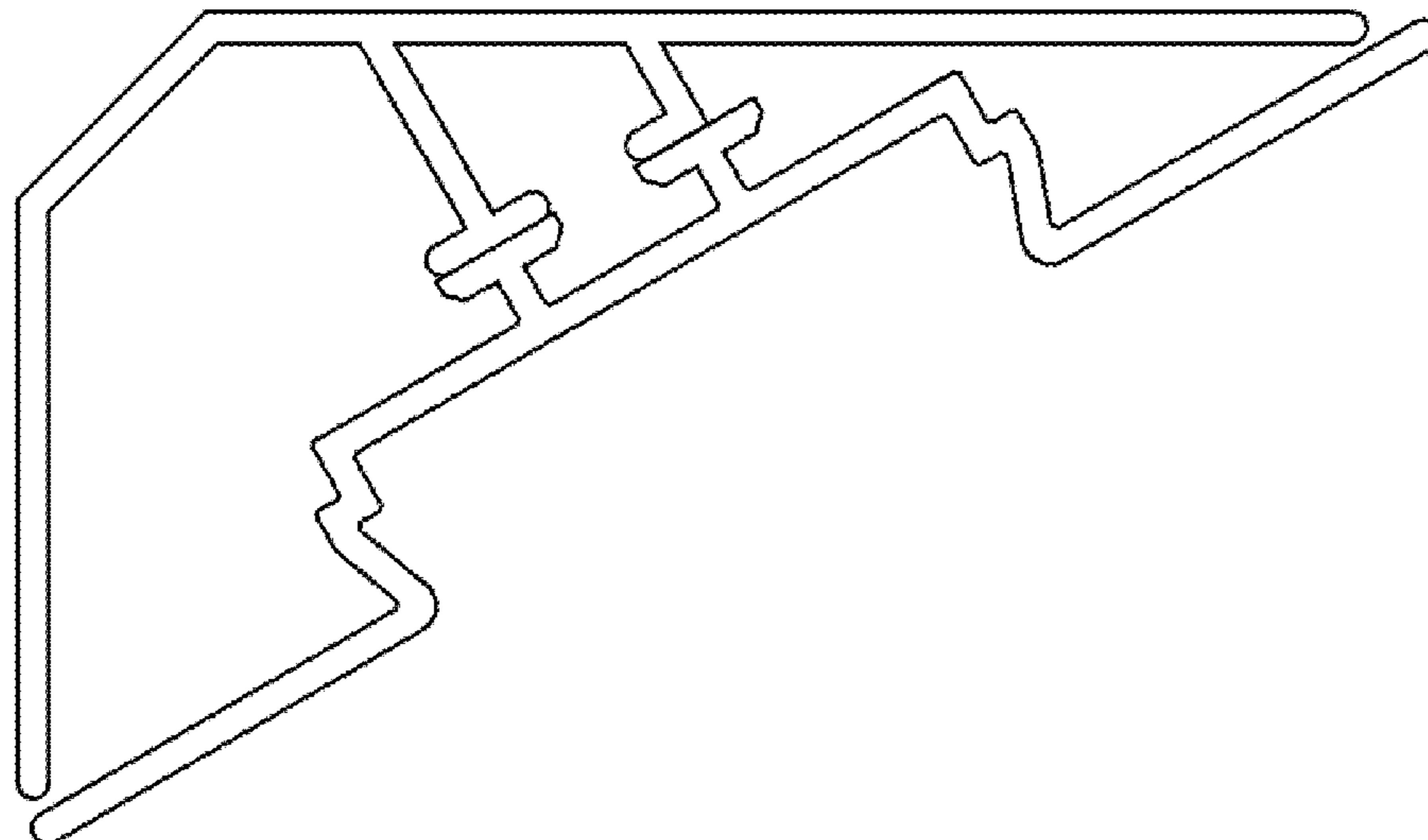
(57) **CLAIM**

The ornamental design for housing for an LED-based lighting apparatus, as shown and described.

DESCRIPTION

FIG. 1 is a bottom perspective view of a housing for an LED-based lighting apparatus, showing the new design; FIG. 2 is a front perspective view thereof; FIG. 3 is a rear view thereof; FIG. 4 is a left side view thereof; FIG. 5 is a top view thereof; FIG. 6 is a left side view thereof; FIG. 7 is a bottom view thereof; FIG. 8 is a right side view thereof; FIG. 9 is an exploded front perspective view thereof; and, FIG. 10 is an exploded bottom perspective view thereof. The uniform dashed lines shown in the drawings illustrate portions of the housing for an LED-based lighting apparatus which form no part of the claimed design.

1 Claim, 5 Drawing Sheets



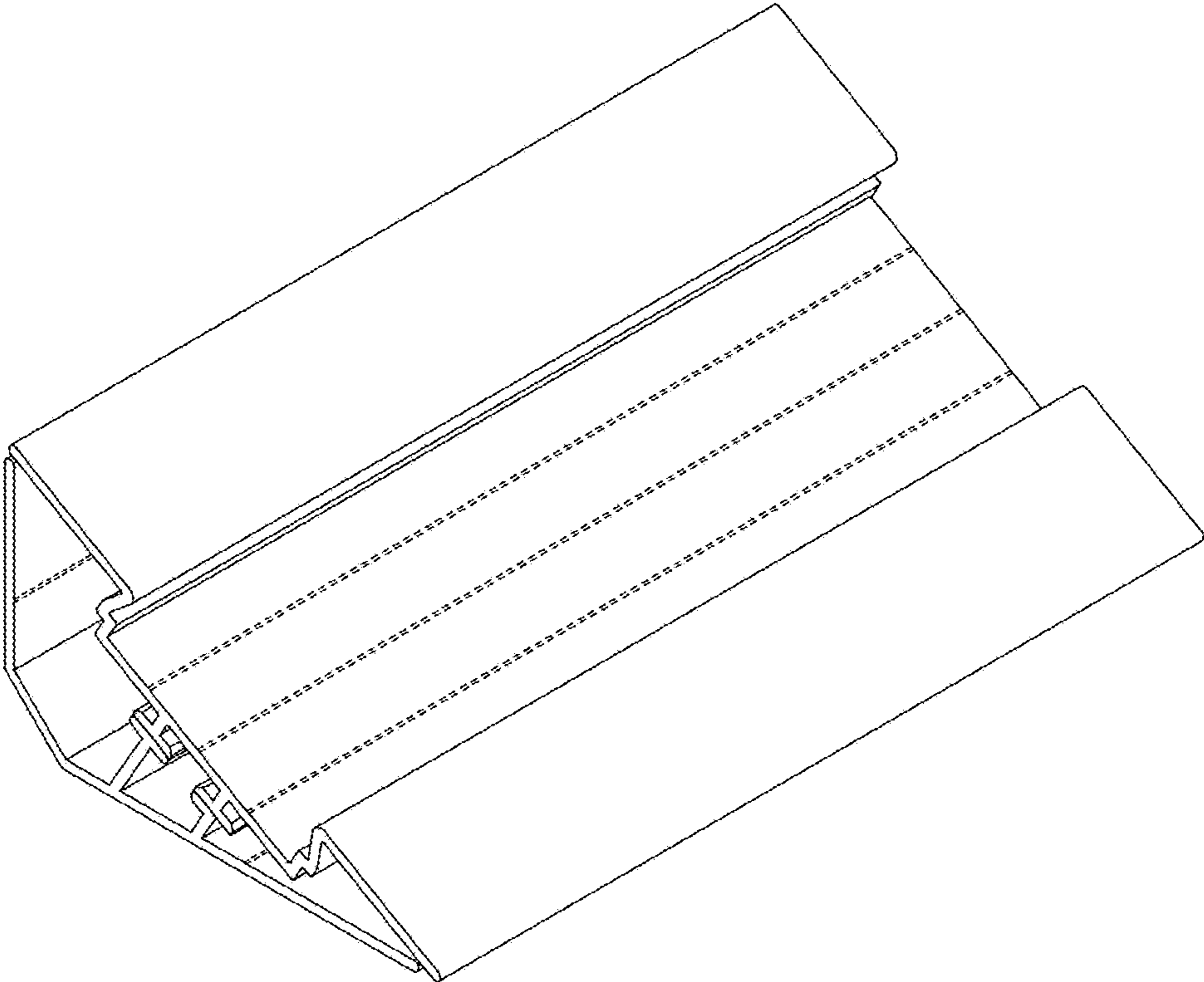


FIG. 1

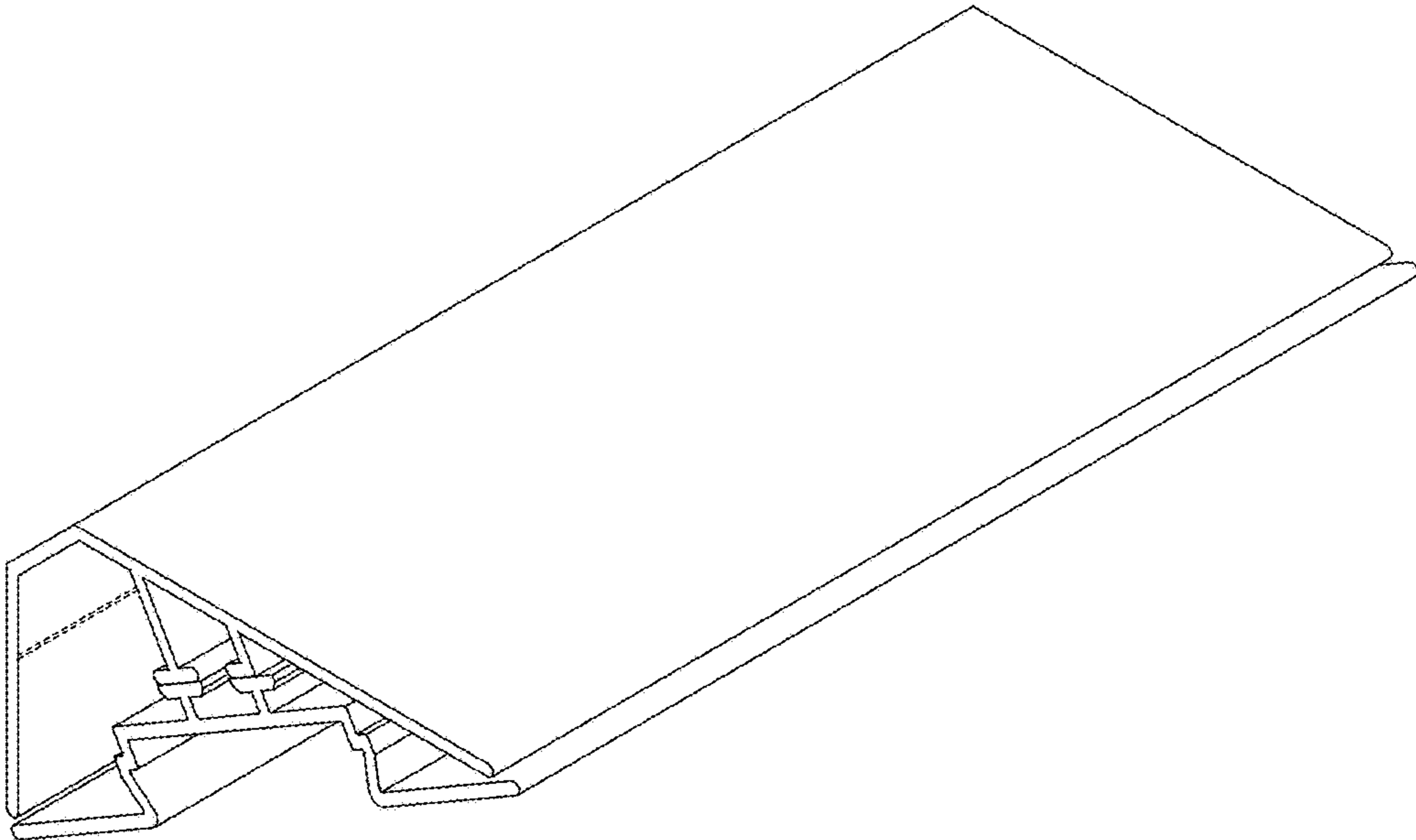


FIG. 2

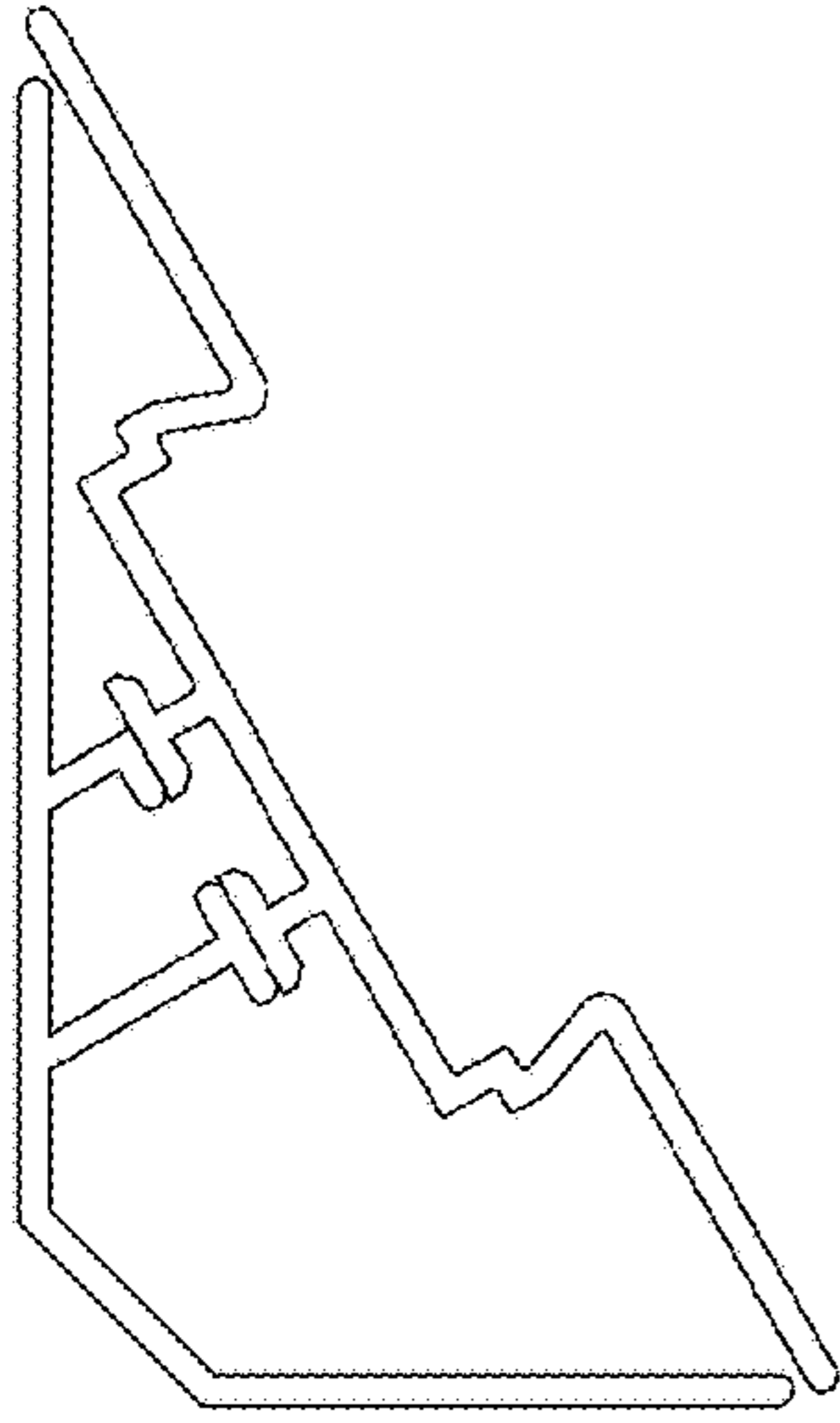


FIG. 4

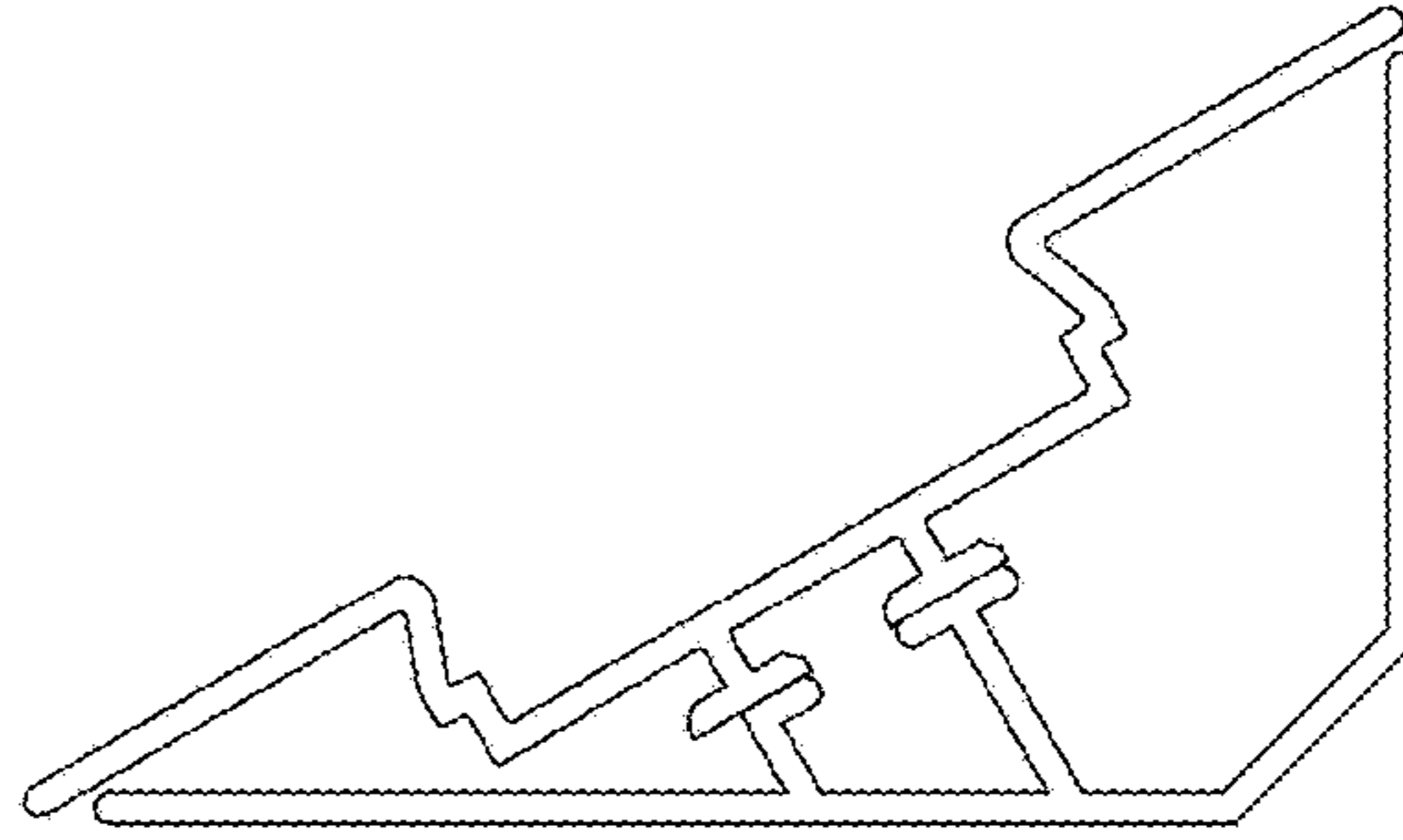


FIG. 6

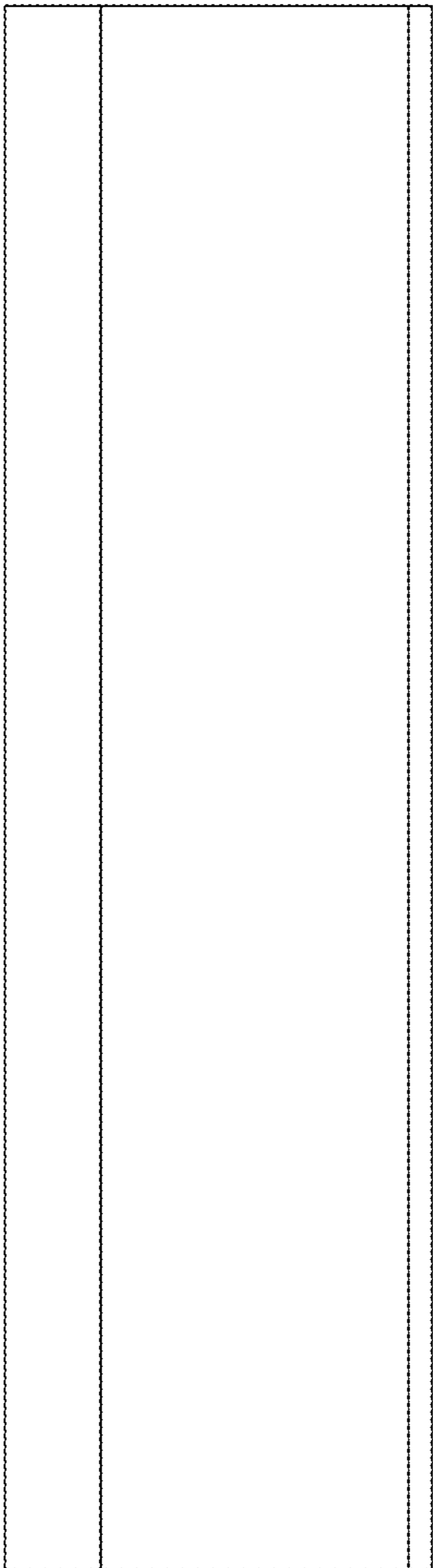


FIG. 3

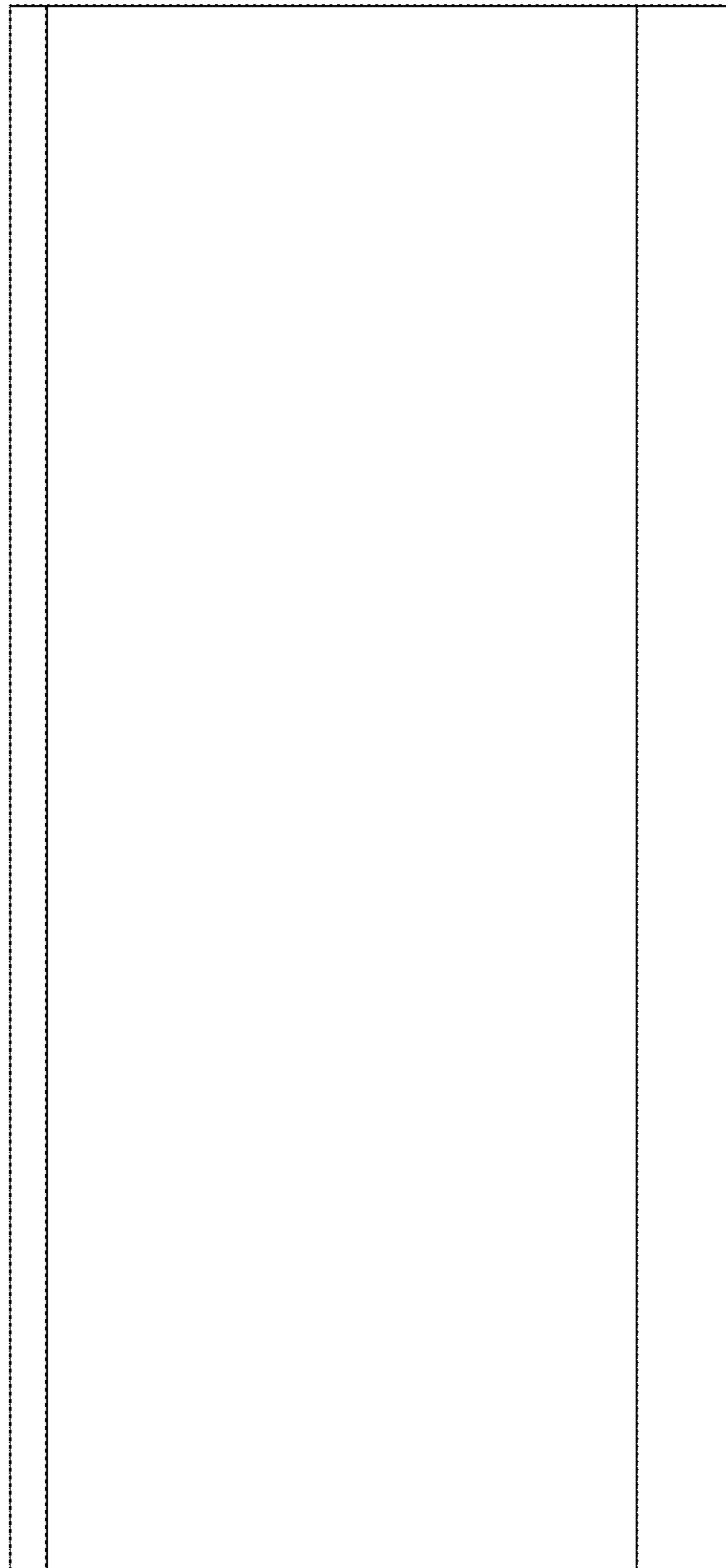


FIG. 5

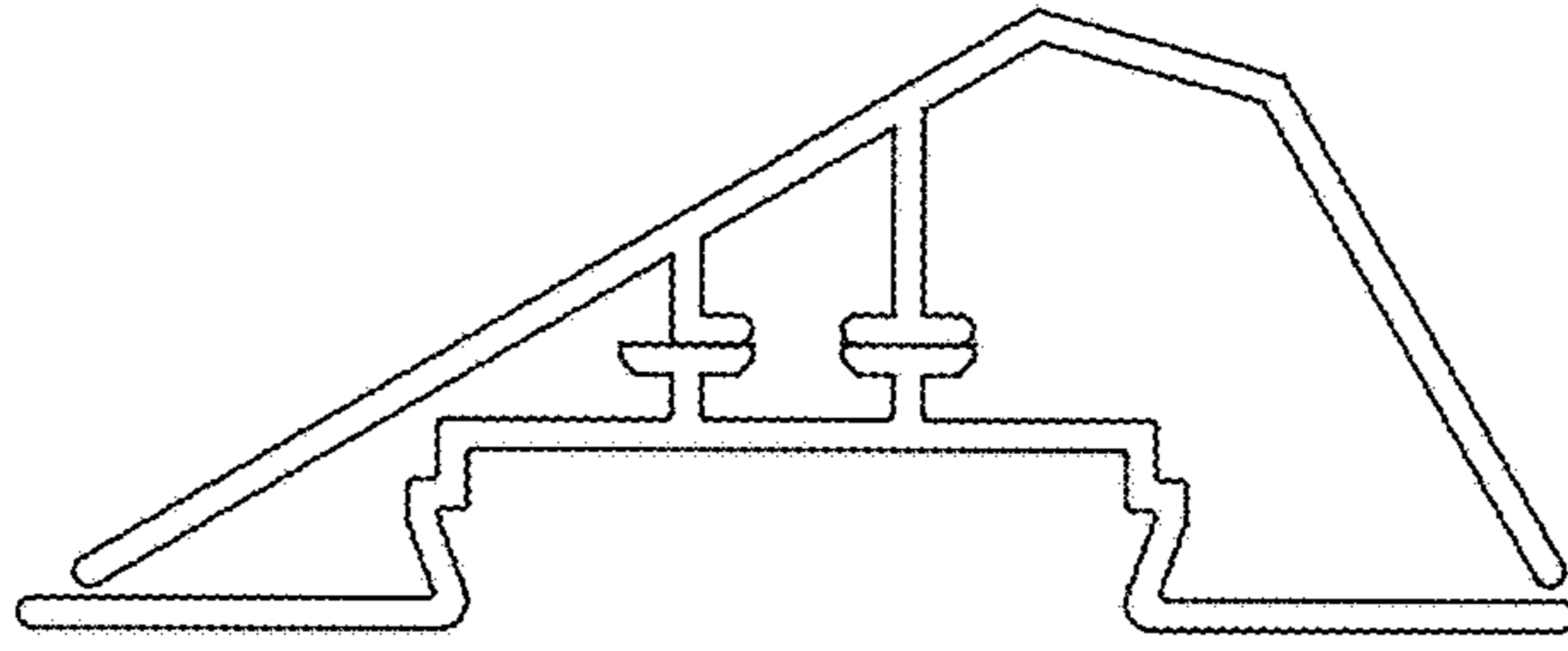


FIG. 8

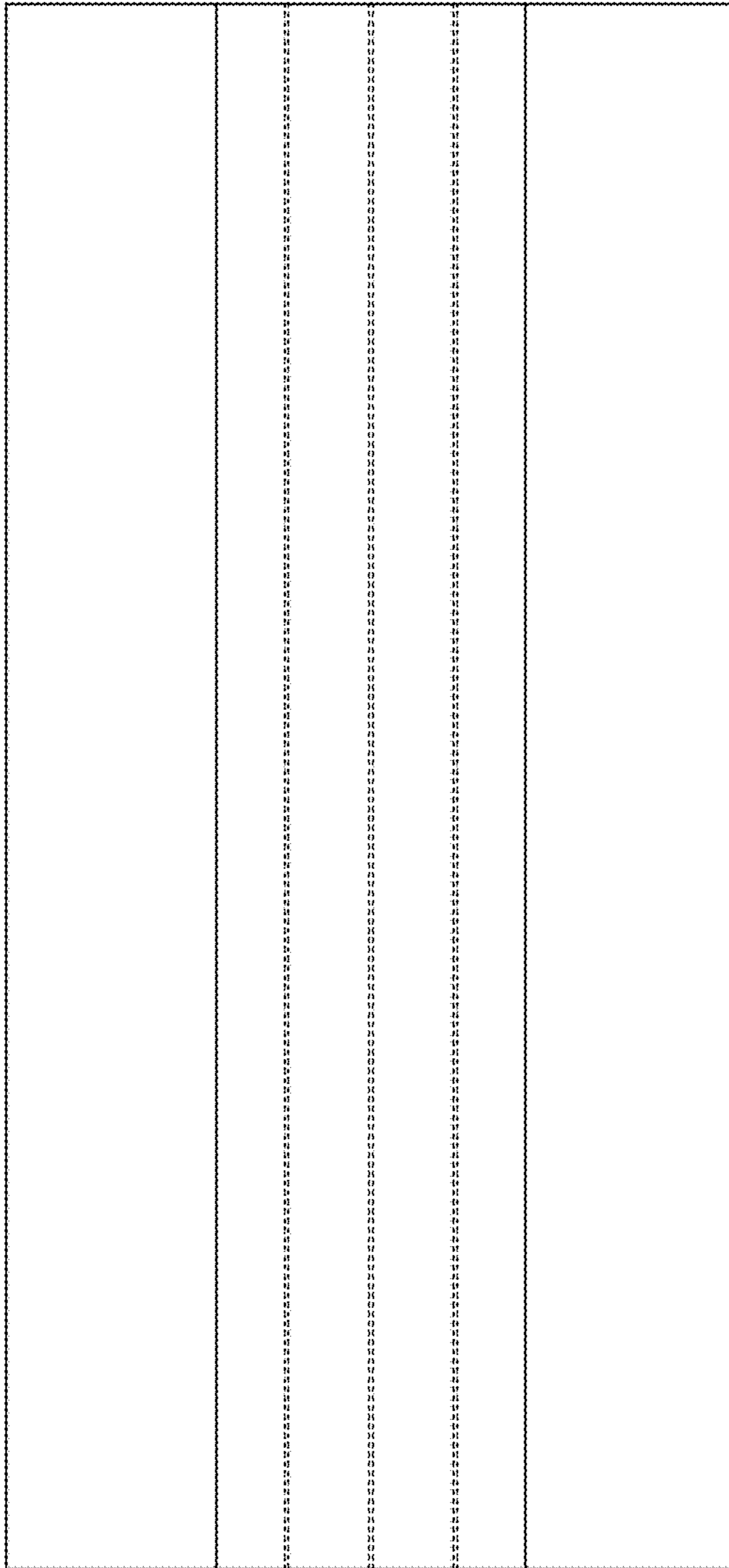


FIG. 7

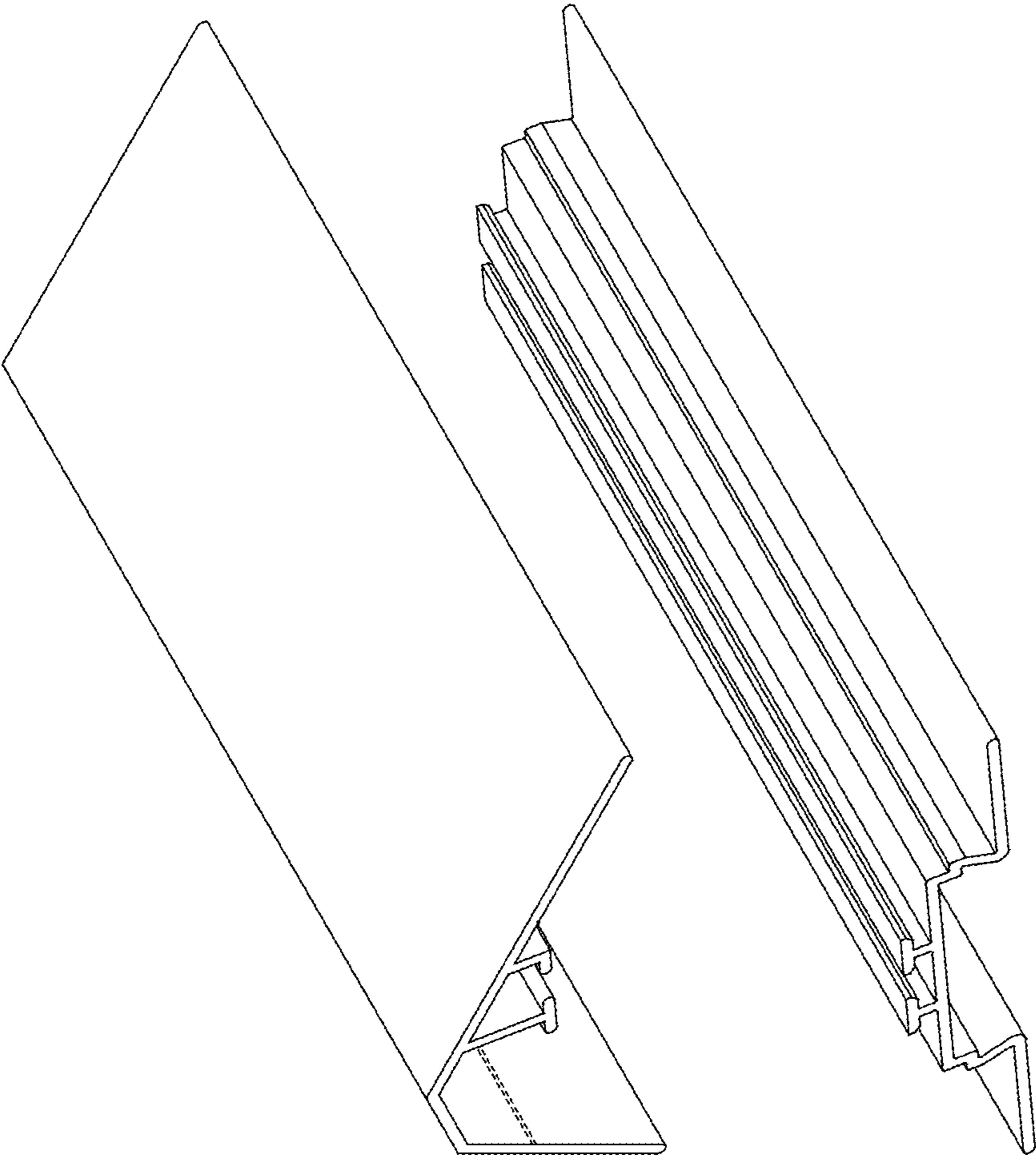


FIG.9

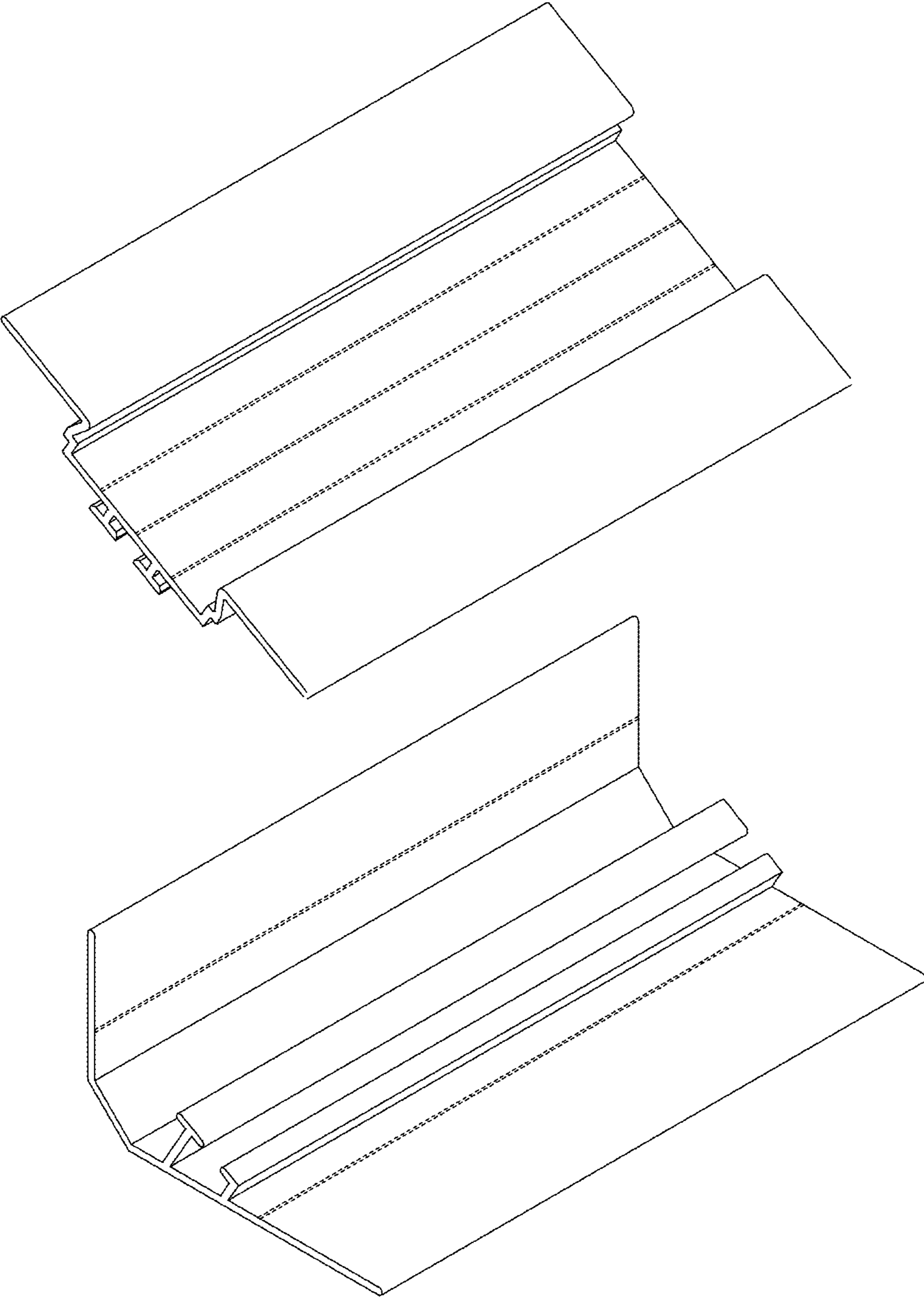


FIG.10