



US00D806938S

(12) **United States Design Patent**
Sonneman

(10) **Patent No.:** **US D806,938 S**
(45) **Date of Patent:** **** Jan. 2, 2018**

(54) **POWERBAR ASSEMBLY FOR A LIGHTING SYSTEM**

(71) Applicant: **Robert A. Sonneman**, Mamaroneck, NY (US)

(72) Inventor: **Robert A. Sonneman**, Mamaroneck, NY (US)

(**) Term: **15 Years**

(21) Appl. No.: **29/612,244**

(22) Filed: **Jul. 31, 2017**

Related U.S. Application Data

(62) Division of application No. 29/576,023, filed on Aug. 31, 2016, now Pat. No. Des. 799,107.

(51) **LOC (11) Cl.** **26-05**

(52) **U.S. Cl.**
USPC **D26/138**

(58) **Field of Classification Search**
USPC D26/76, 78, 79, 80, 81, 82, 83, 85, 86, D26/88, 90, 113, 118, 119, 120, 121, 122, D26/138, 139, 140, 141, 142, 152
CPC F21S 2/00; F21S 4/00; F21S 4/003; F21S 4/005; F21S 4/006; F21S 4/007; F21S 4/008; F21S 6/00; F21S 8/00; F21S 8/024; F21S 8/026; F21S 8/031; F21S 8/033; F21S 8/035-8/037; F21S 8/04; F21S 8/043; F21S 8/063
See application file for complete search history.

(56) **References Cited**

U.S. PATENT DOCUMENTS

D247,845 S	5/1978	Palm
D375,040 S	10/1996	Miyashita
D381,450 S	7/1997	Sonneman
D468,474 S	1/2003	Poulton
D494,081 S	8/2004	Boilen

D532,919 S *	11/2006	Handsaker	D26/35
D586,029 S	2/2009	Copeland		
D611,645 S	3/2010	Copeland		
D642,726 S	8/2011	Khubani		
D647,246 S *	10/2011	Chadwick	D26/138
D660,497 S *	5/2012	Chung	D26/75
D706,516 S	6/2014	Caglia		
D707,880 S *	6/2014	Magnusson	D26/120
D712,089 S	8/2014	Rogers		
D714,480 S *	9/2014	Law	D26/31
D731,700 S *	6/2015	Santoro	D26/118
D735,392 S *	7/2015	Ng	D26/76

(Continued)

Primary Examiner — George D. Kirschbaum

Assistant Examiner — Natasha Vujcic

(74) *Attorney, Agent, or Firm* — Gottlieb, Rackman & Reisman, P.C.

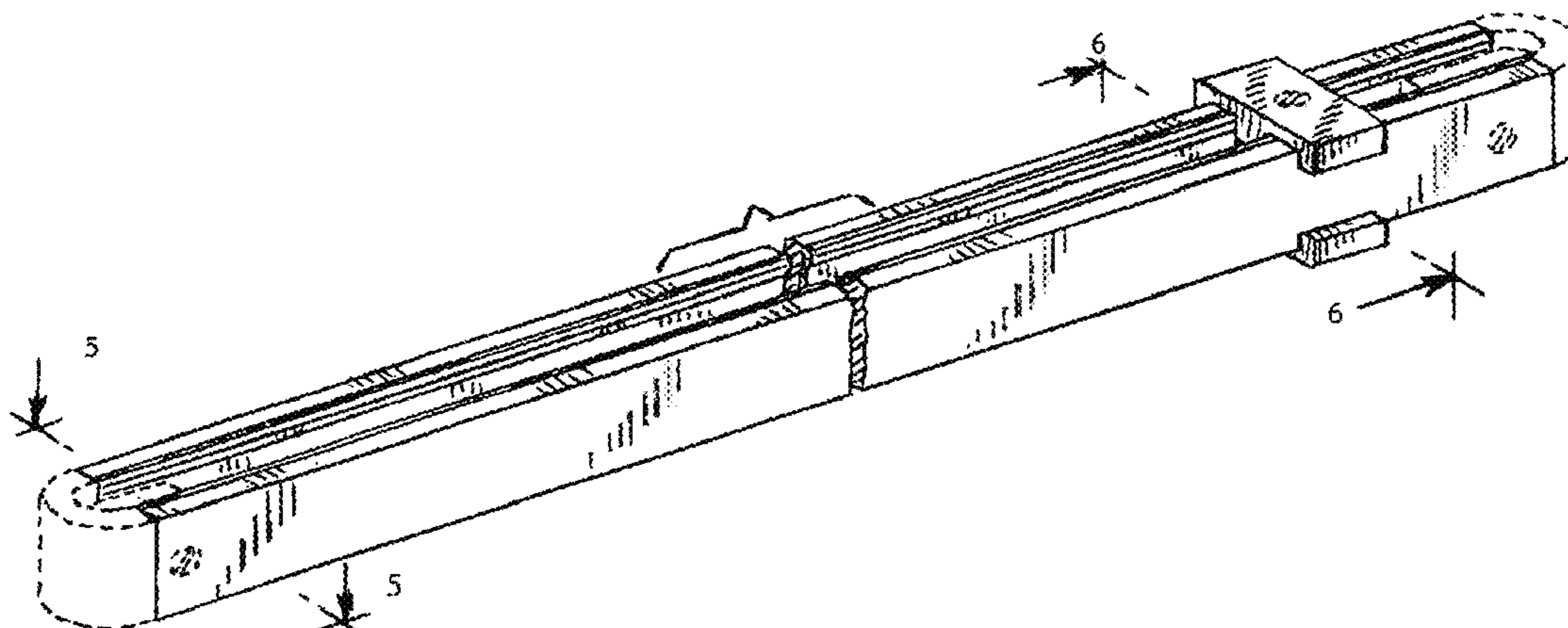
(57) **CLAIM**

The ornamental design for a powerbar assembly for a lighting system, as shown and described.

DESCRIPTION

FIG. 1 is a perspective view of the powerbar assembly for a lighting system;
FIG. 2 is a top plan view thereof, the bottom plan view being a mirror image;
FIG. 3 is a front elevational view thereof; the rear elevational view being a mirror image;
FIG. 4 is a right side elevational view thereof, the left side elevational view being a mirror image;
FIG. 5 is a sectional view taken at line 5-5 of FIG. 1; and, FIG. 6 is a sectional view taken at line 6-6 of FIG. 1.
The break lines in FIGS. 1, 2 and 3 are to indicate that the appearance of any portion of the powerbar assembly between break lines forms no part of the claimed design.
The remaining broken lines in the drawings are included for the purpose of illustrating portions of the article that form no part of the claimed design.

1 Claim, 1 Drawing Sheet



(56)

References Cited

U.S. PATENT DOCUMENTS

D737,500	S	*	8/2015	Santoro	D26/120
D747,636	S		1/2016	Maher		
D756,028	S		5/2016	Shipman		
D756,558	S	*	5/2016	Paulsen	D26/142
D775,408	S	*	12/2016	Huyghe	D26/138
D779,113	S		2/2017	Sonneman		
D779,712	S		2/2017	Sonneman		
D779,713	S		2/2017	Sonneman		
D779,715	S		2/2017	Sonneman		
D788,359	S		5/2017	Sonneman		
D789,590	S		6/2017	Sonneman		
D789,596	S		6/2017	Sonneman		
D790,761	S		6/2017	Sonneman		
D790,762	S		6/2017	Sonneman		
D791,400	S		7/2017	Sonneman		
D792,018	S		7/2017	Sonneman		
D794,863	S		8/2017	Sonneman		
D796,734	S	*	9/2017	Sonneman	D26/138
D797,365	S	*	9/2017	Deyaf	D26/120
D799,107	S	*	10/2017	Sonneman	D26/138

* cited by examiner

