

US00D806937S

(12) **United States Design Patent**  
**Klus**

(10) **Patent No.:** **US D806,937 S**

(45) **Date of Patent:** **\*\* Jan. 2, 2018**

(54) **HOUSING FOR AN LED-BASED LIGHTING APPARATUS**

(71) Applicant: **Sylwester Klus**, Kamionka (PL)

(72) Inventor: **Sylwester Klus**, Kamionka (PL)

(\*\*) Term: **15 Years**

(21) Appl. No.: **29/566,294**

(22) Filed: **May 27, 2016**

(51) **LOC (11) Cl.** ..... **26-05**

(52) **U.S. Cl.**

USPC ..... **D26/138**

(58) **Field of Classification Search**

USPC ..... D26/76, 78, 79, 80, 81, 82, 83, 85, 86,  
D26/88, 90, 113, 118, 119, 120, 121, 122,  
D26/138, 139, 140, 141, 142, 152

CPC ..... F21S 2/00; F21S 4/00; F21S 4/003; F21S  
4/005; F21S 4/006; F21S 4/007; F21S  
4/008; F21S 6/00; F21S 8/00; F21S  
8/024; F21S 8/026; F21S 8/031; F21S  
8/033; F21S 8/035-8/037; F21S 8/04;  
F21S 8/043; F21S 8/063

See application file for complete search history.

(56) **References Cited**

U.S. PATENT DOCUMENTS

D489,830 S \* 5/2004 Barnett ..... D25/119  
D500,882 S \* 1/2005 Herst ..... D26/118

D621,090 S \* 8/2010 Klu ..... D26/138  
D649,684 S \* 11/2011 Trzesniowski ..... D26/138  
D662,256 S \* 6/2012 Klu ..... D26/138  
D669,211 S \* 10/2012 Larson ..... D26/138  
D705,982 S \* 5/2014 Klus ..... D26/138  
D733,353 S \* 6/2015 Klus ..... D26/138  
D780,371 S \* 2/2017 Nanni ..... D26/142

\* cited by examiner

*Primary Examiner* — George D. Kirschbaum

*Assistant Examiner* — Natasha Vujcic

(74) *Attorney, Agent, or Firm* — Mark Terry

(57) **CLAIM**

The ornamental design for housing for an LED-based lighting apparatus, as shown and described.

**DESCRIPTION**

FIG. 1 is a top perspective view of a housing for an LED-based lighting apparatus, showing the new design; FIG. 2 is a bottom perspective view thereof; FIG. 3 is a left side view thereof; FIG. 4 is a front view thereof; FIG. 5 is a right side view thereof; and, FIG. 6 is a rear view thereof.

**1 Claim, 2 Drawing Sheets**

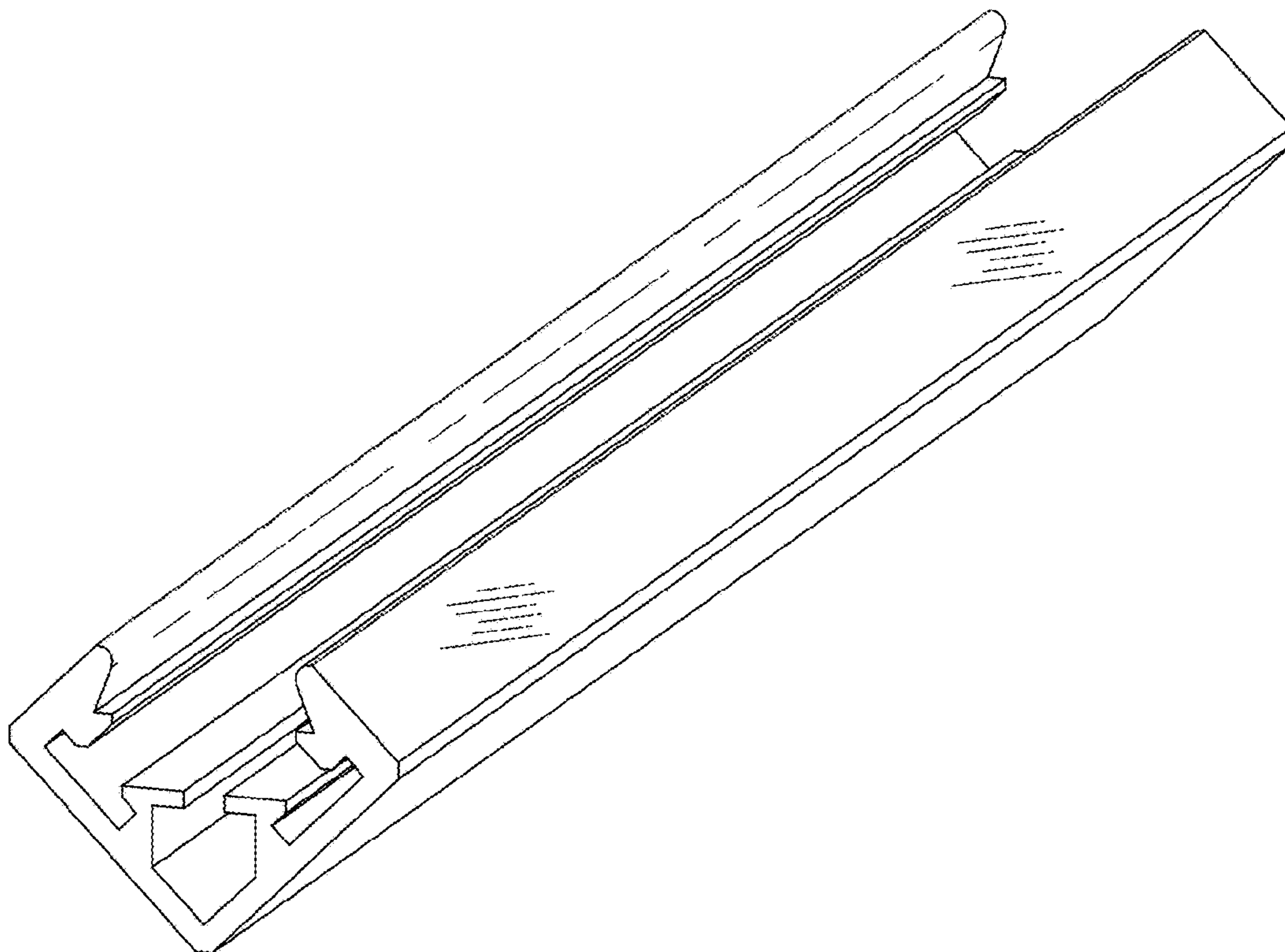


Fig. 1

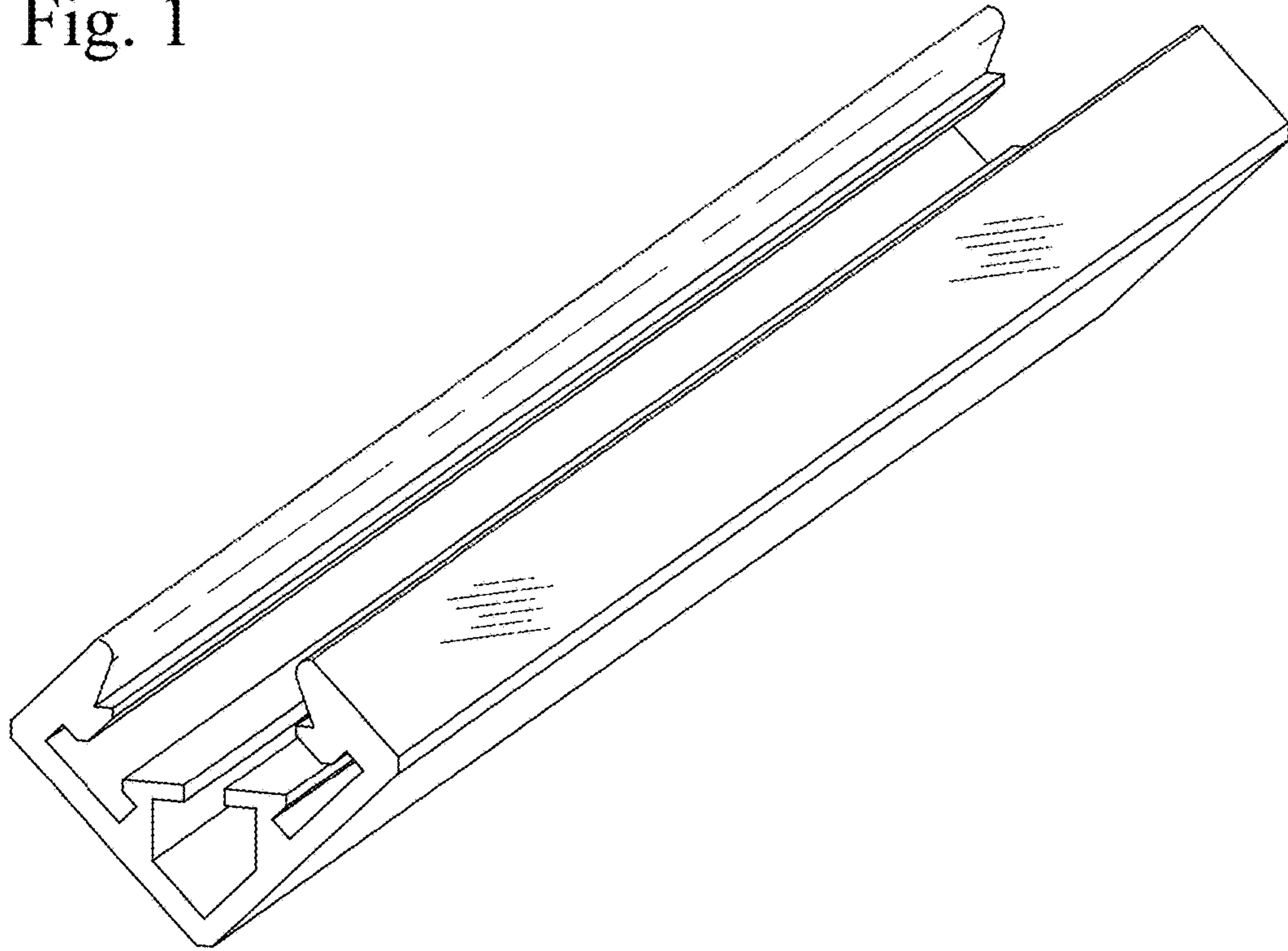


Fig. 2

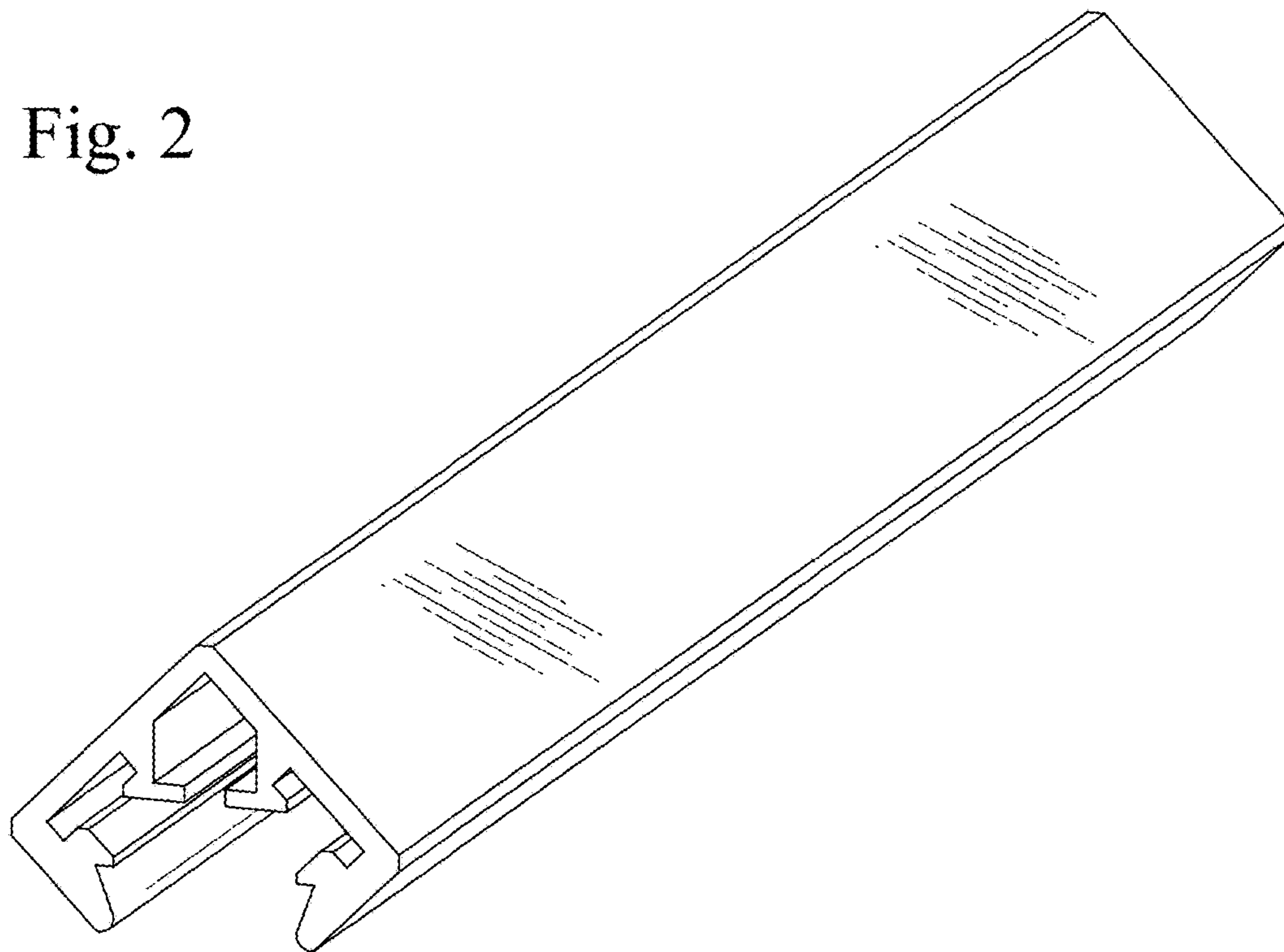


Fig. 3

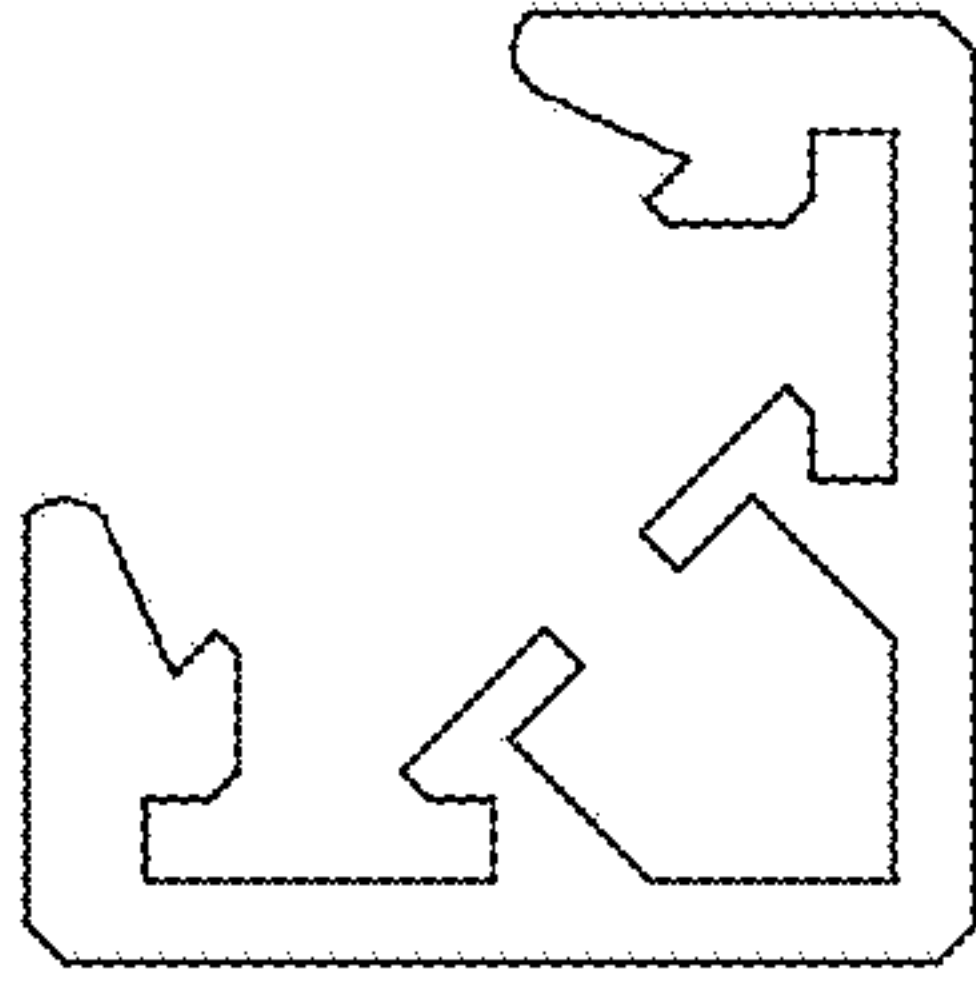


Fig. 5

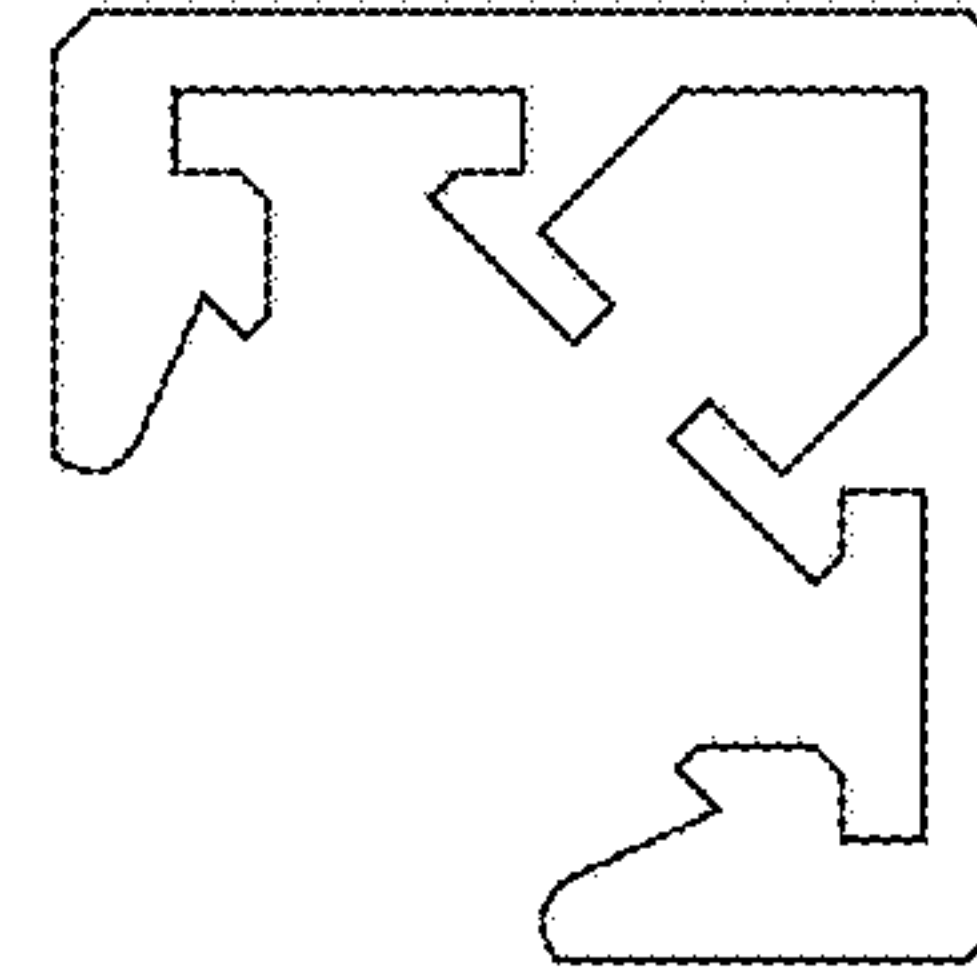


Fig. 4

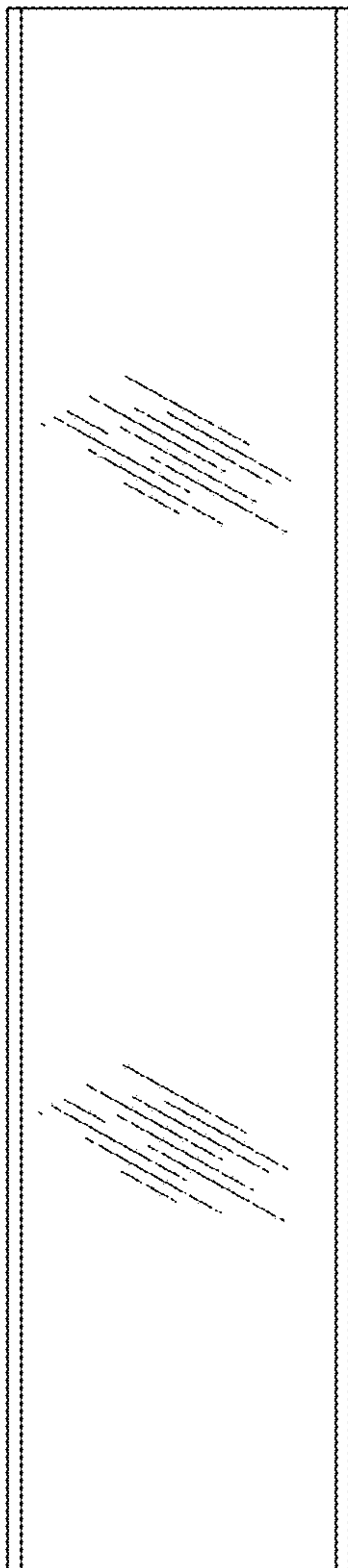


Fig. 6

