



US00D806936S

(12) **United States Design Patent** (10) **Patent No.:** **US D806,936 S**
Jordan et al. (45) **Date of Patent:** **** Jan. 2, 2018**

(54) **LIGHTING FIXTURE**

(71) Applicant: **PHILIPS LIGHTING HOLDING B.V.**, Eindhoven (NL)

(72) Inventors: **Timothy Jordan**, Lexington, MA (US); **Zachary Robert Wessner**, Salem, NH (US); **Stephen Lee**, Londonderry, NH (US); **Kalyan Pisupati**, Reading, MA (US); **Benjamin Daniel Sweet-Block**, Arlington, MA (US); **Peter Swai**, Wakefield, MA (US)

(73) Assignee: **PHILIPS LIGHTING HOLDING B.V.**, Eindhoven (NL)

(**) Term: **15 Years**

(21) Appl. No.: **35/501,832**

(22) Filed: **Oct. 18, 2016**

(80) **Hague Agreement Data**

Int. Filing Date: **Oct. 18, 2016**
Int. Reg. No.: **DM/093047**
Int. Reg. Date: **Oct. 18, 2016**
Int. Reg. Pub. Date: **Nov. 4, 2016**

(30) **Foreign Application Priority Data**

Apr. 25, 2016 (EM) 003091503-0004

(51) **LOC (11) Cl.** **26-05**

(52) **U.S. Cl.**
USPC **D26/119**

(58) **Field of Classification Search**

USPC D26/72, 89, 119
CPC .. F21S 8/04; F21V 15/02; F21V 21/03; F21V 29/20; F21V 29/2212
See application file for complete search history.

(56) **References Cited**

U.S. PATENT DOCUMENTS

D244,715 S * 6/1977 Fierro D26/119
D331,634 S * 12/1992 Browne D26/119
D359,139 S * 6/1995 Kaczmarek D26/119
D375,381 S * 11/1996 Carr D26/119
D422,374 S * 4/2000 Spitler D26/119

* cited by examiner

Primary Examiner — Zenia Bennett

(57) **CLAIM**

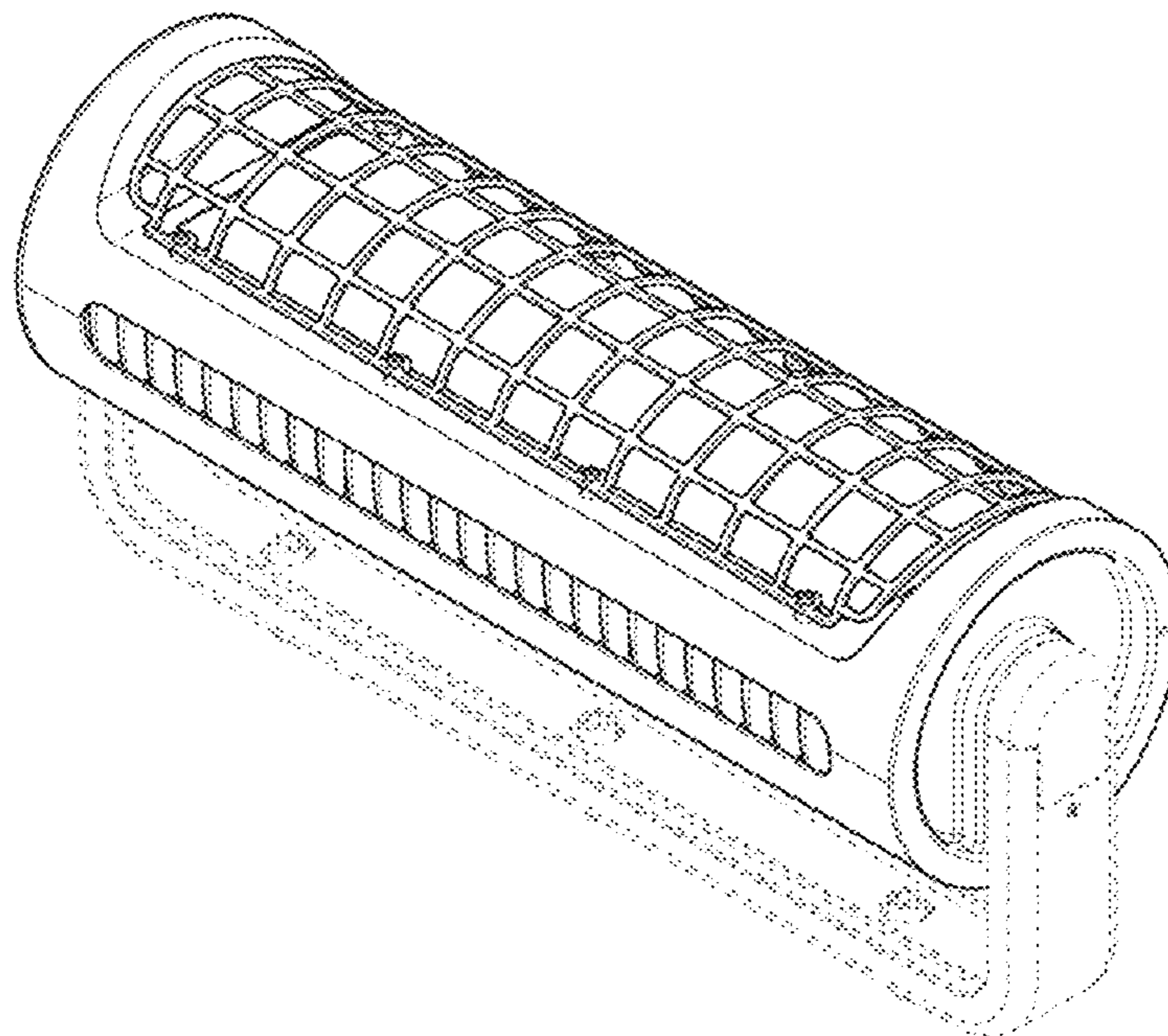
The ornamental design for a lighting fixture, as shown and described.

DESCRIPTION

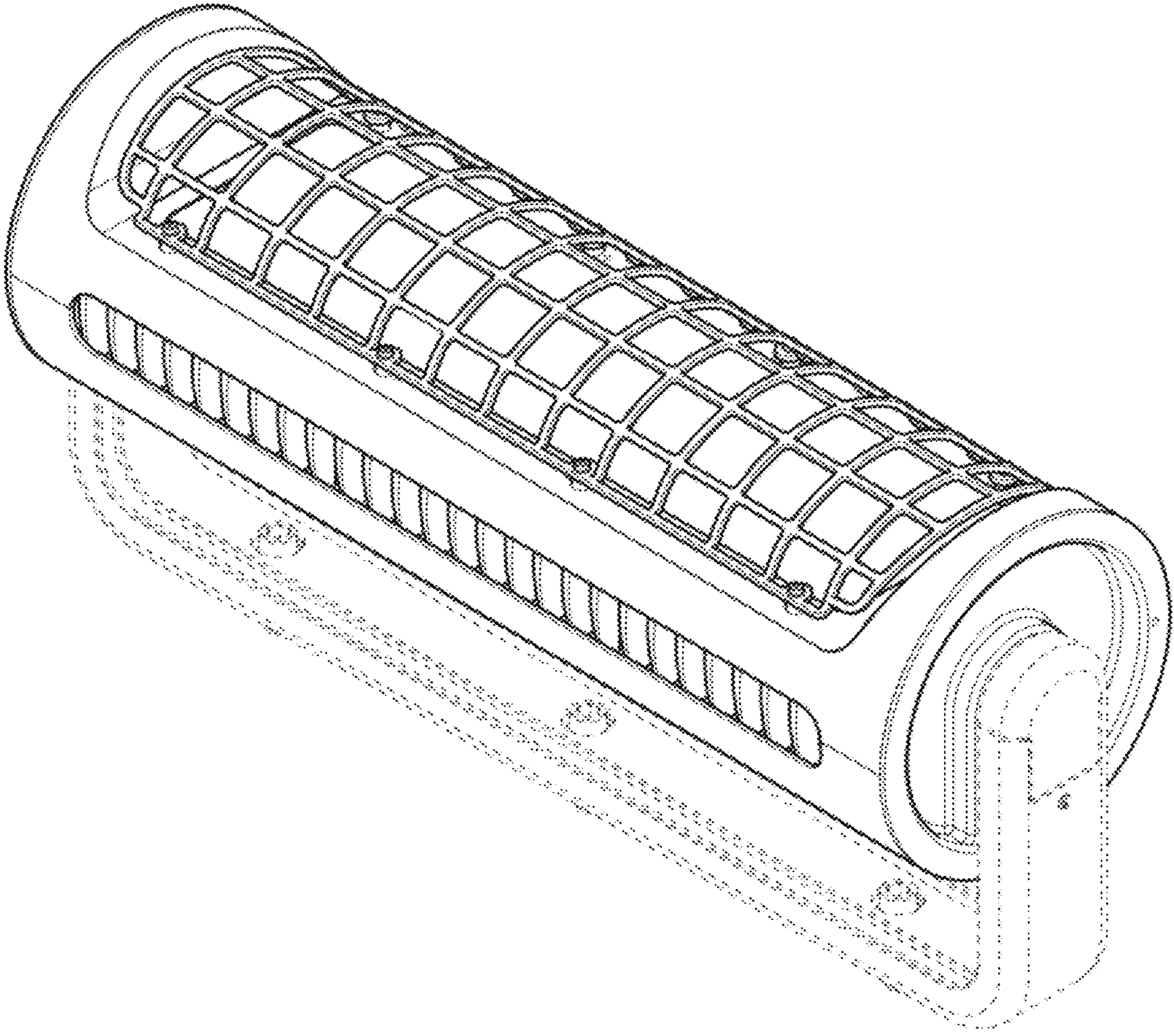
- 1. Lighting fixture
- 1.1 : Perspective
- 1.2 : Front
- 1.3 : Back
- 1.4 : Right
- 1.5 : Left
- 1.6 : Top
- 1.7 : Bottom

The broken lines in the drawing are for illustrative purposes only and form no part of the claimed design.

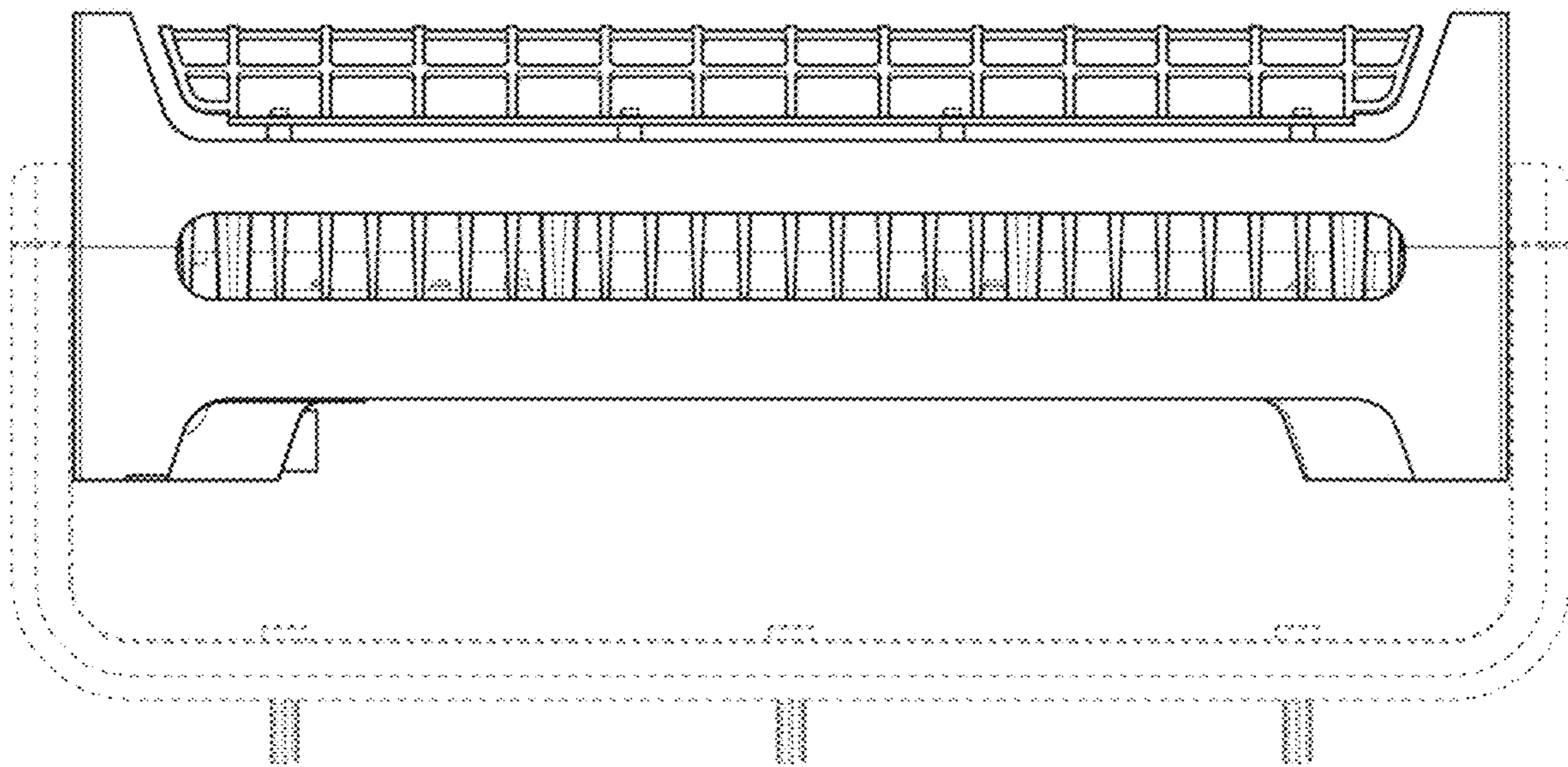
1 Claim, 7 Drawing Sheets



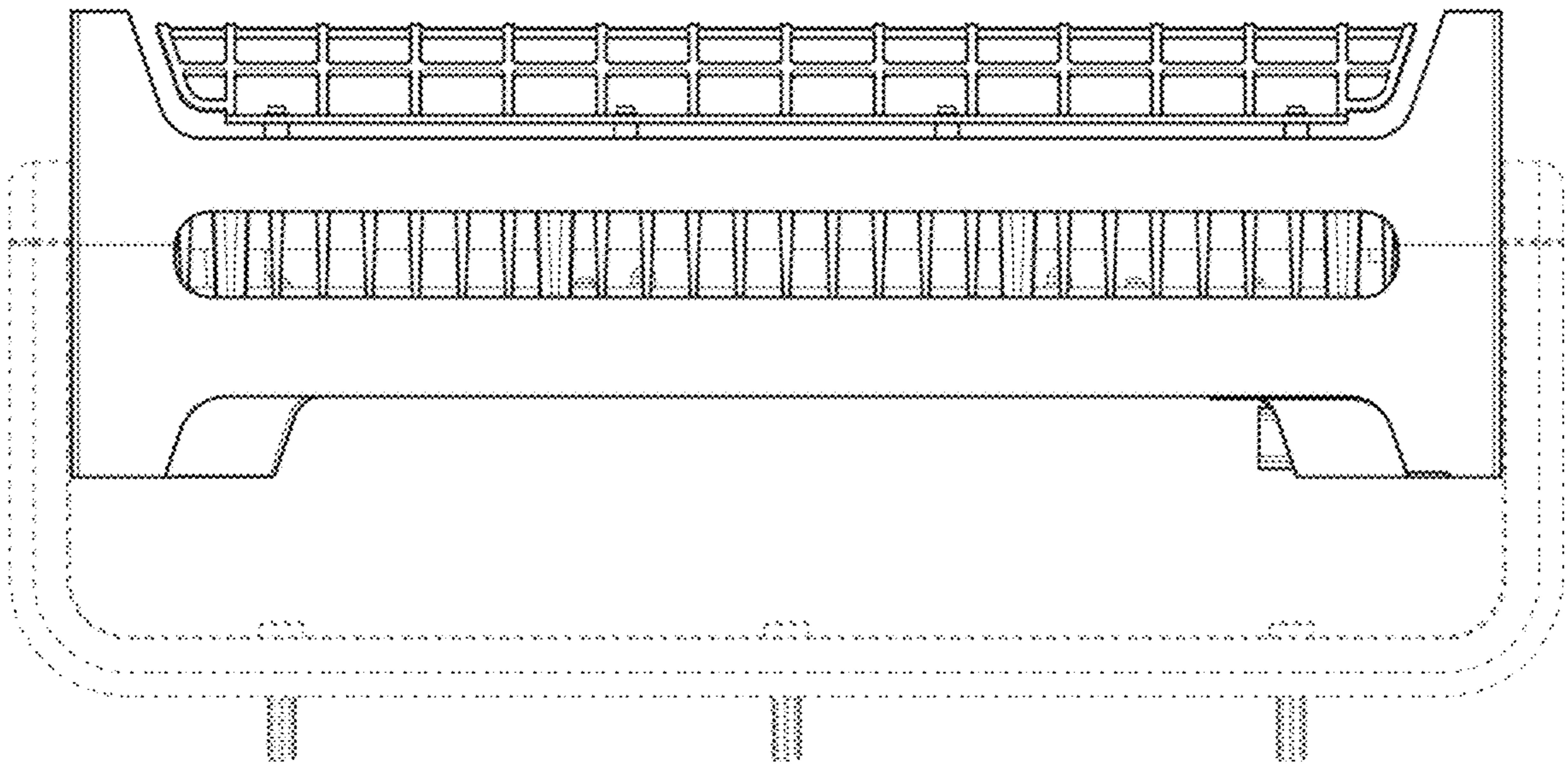
1.1



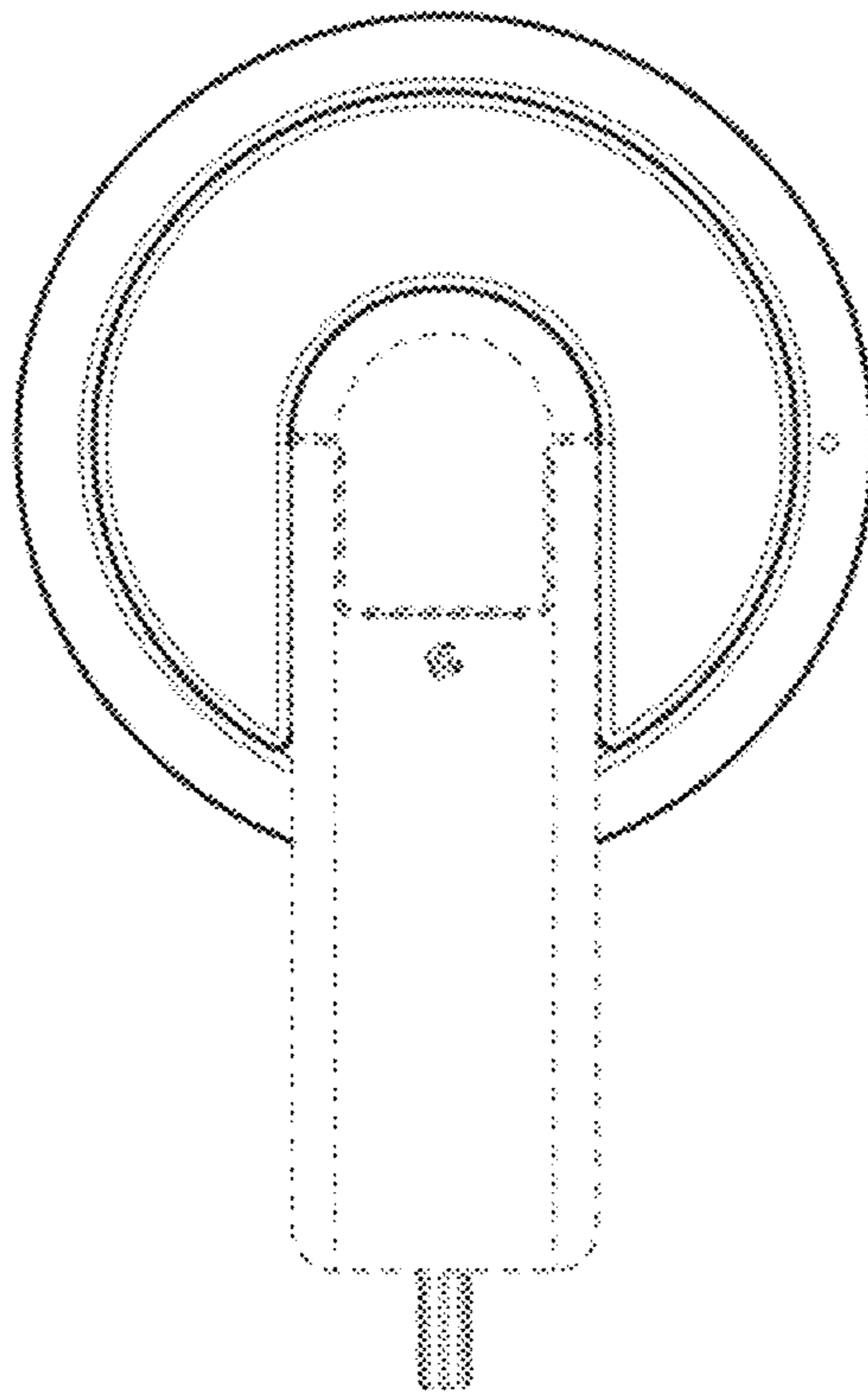
1.2



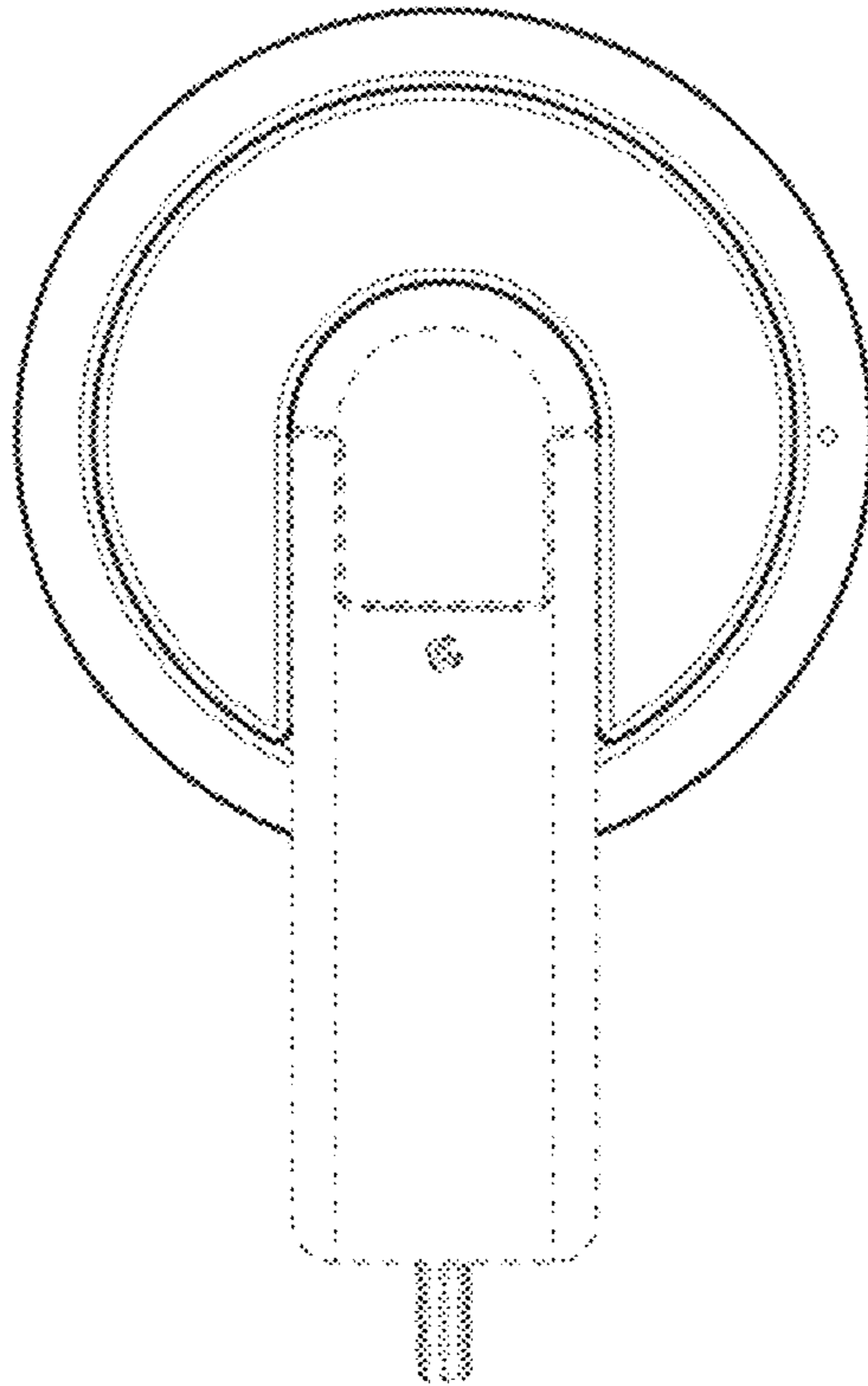
1.3



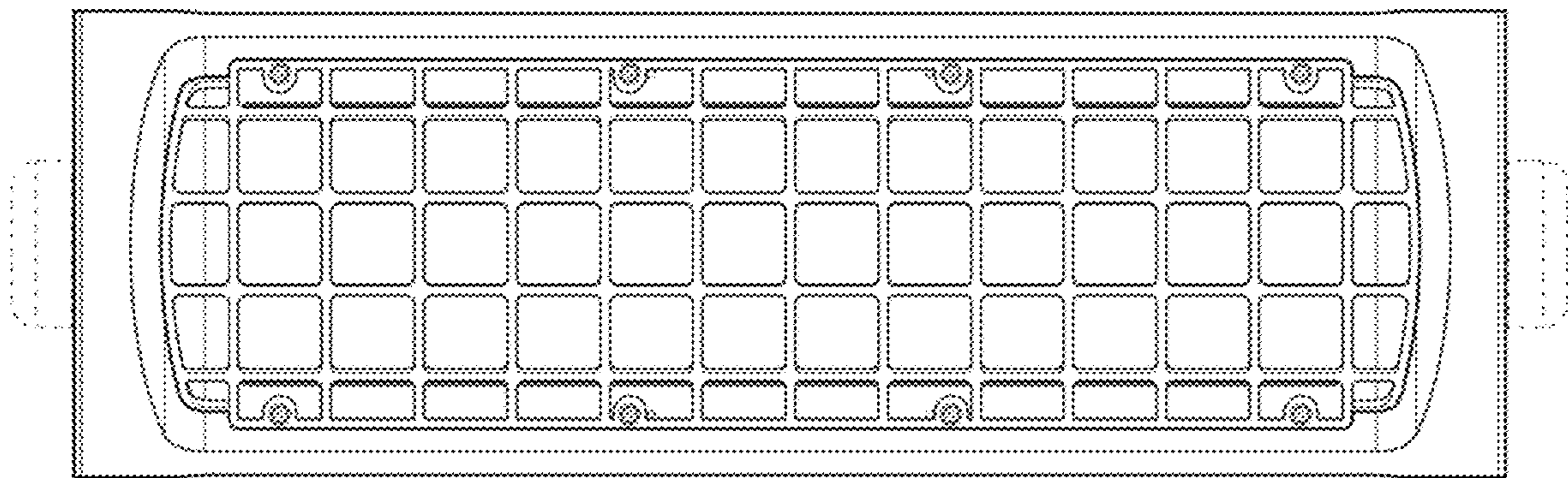
1.4



1.5



1.6



1.7

