



US00D806935S

(12) **United States Design Patent** (10) **Patent No.:** **US D806,935 S**  
**Lee et al.** (45) **Date of Patent:** **\*\* Jan. 2, 2018**

(54) **LIGHTING FIXTURE**

(71) Applicant: **PHILIPS LIGHTING HOLDING B.V.**, Eindhoven (NL)

(72) Inventors: **Stephen Lee**, Londonderry, NH (US); **Peter Swai**, Wakefield, MA (US); **Zachary Robert Wessner**, Salem, NH (US); **Timothy Jordan**, Lexington, MA (US); **Benjamin Daniel Sweet-Block**, Arlington, MA (US); **Kalyan Pisupati**, Reading, MA (US)

(73) Assignee: **PHILIPS LIGHTING HOLDING B.V.**, Eindhoven (NL)

(\*\*) Term: **15 Years**

(21) Appl. No.: **35/501,830**

(22) Filed: **Oct. 18, 2016**

(80) **Hague Agreement Data**

Int. Filing Date: **Oct. 18, 2016**  
Int. Reg. No.: **DM/093045**  
Int. Reg. Date: **Oct. 18, 2016**  
Int. Reg. Pub. Date: **Nov. 4, 2016**

(30) **Foreign Application Priority Data**

Apr. 25, 2016 (EM) ..... 003091503-0005

(51) **LOC (11) Cl.** ..... **26-05**

(52) **U.S. Cl.**  
USPC ..... **D26/119**

(58) **Field of Classification Search**

USPC ..... D26/72, 89, 119  
CPC .. F21S 8/04; F21V 15/02; F21V 21/03; F21V 29/20; F21V 29/2212  
See application file for complete search history.

(56) **References Cited**

U.S. PATENT DOCUMENTS

D244,715 S \* 6/1977 Fierro ..... D26/119  
D331,634 S \* 12/1992 Browne ..... D26/119  
D359,139 S \* 6/1995 Kaczmarek ..... D26/119  
D375,381 S \* 11/1996 Carr ..... D26/119  
D422,374 S \* 4/2000 Spitler ..... D26/119

\* cited by examiner

*Primary Examiner* — Zenia Bennett

(57) **CLAIM**

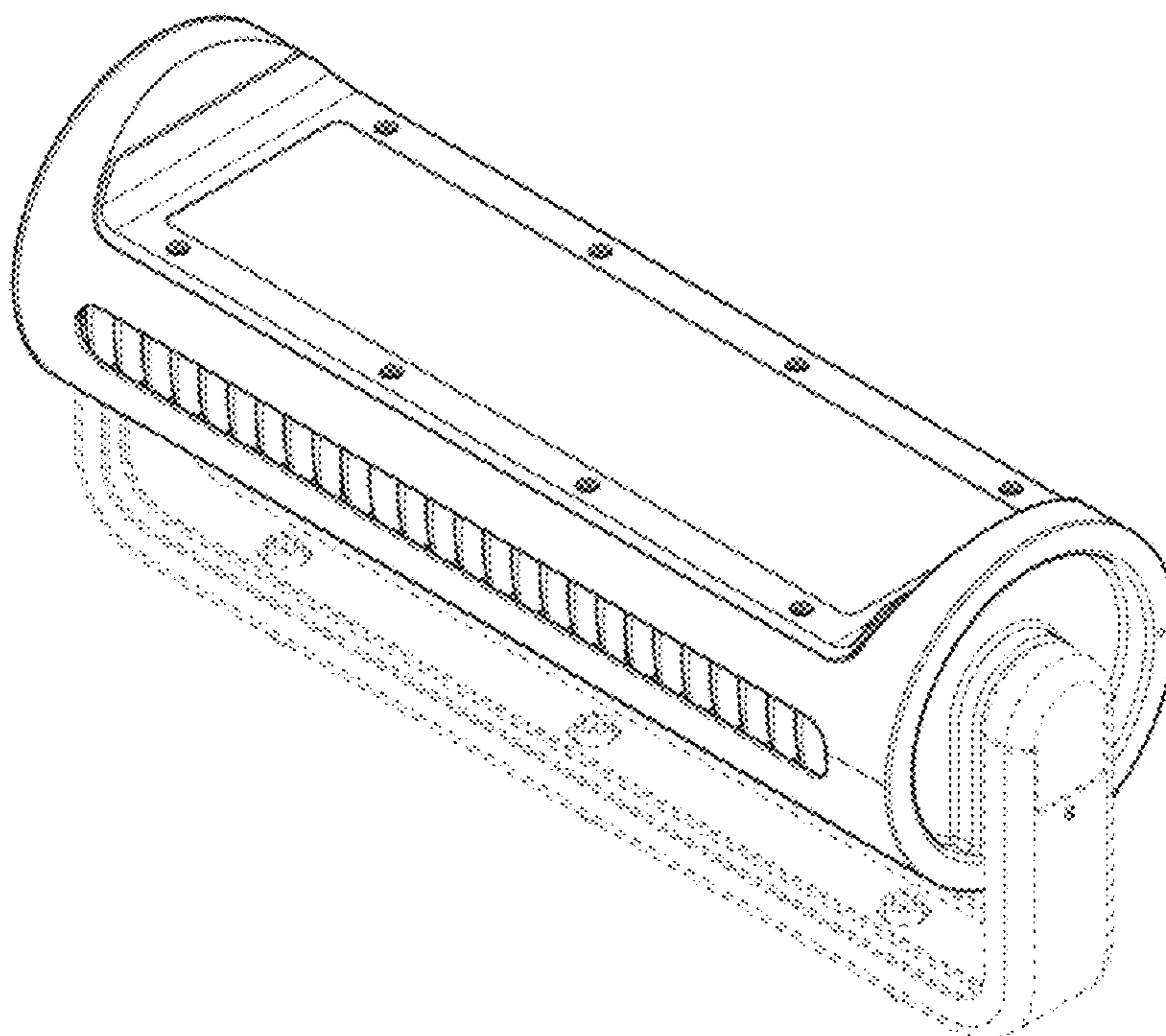
The ornamental design for a lighting fixture, as shown and described.

**DESCRIPTION**

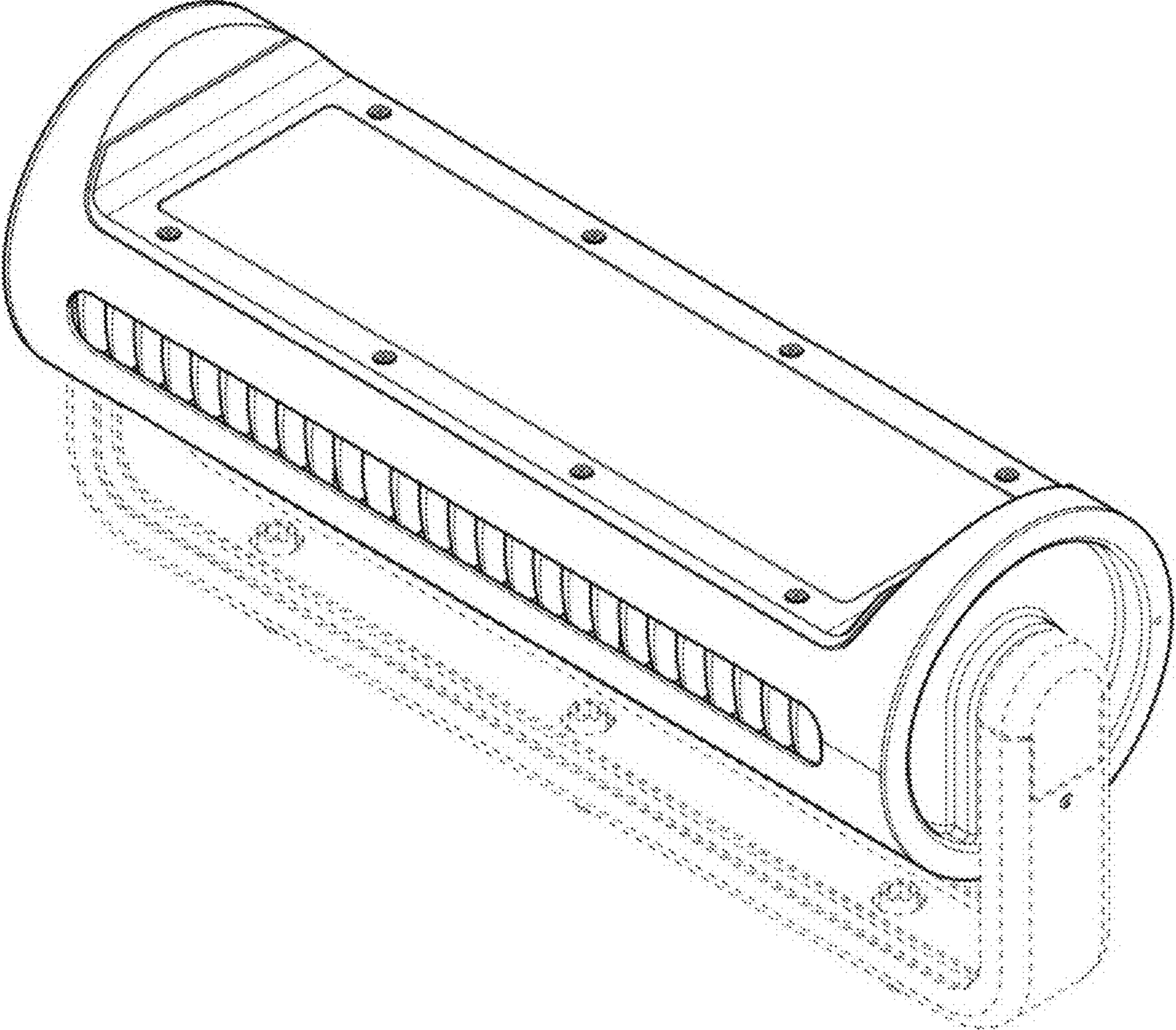
- 1. Lighting fixture
- 1.1 : Perspective
- 1.2 : Front
- 1.3 : Back
- 1.4 : Right
- 1.5 : Left
- 1.6 : Top
- 1.7 : Bottom

The broken lines in the drawing are for illustrative purposes only and form no part of the claimed design.

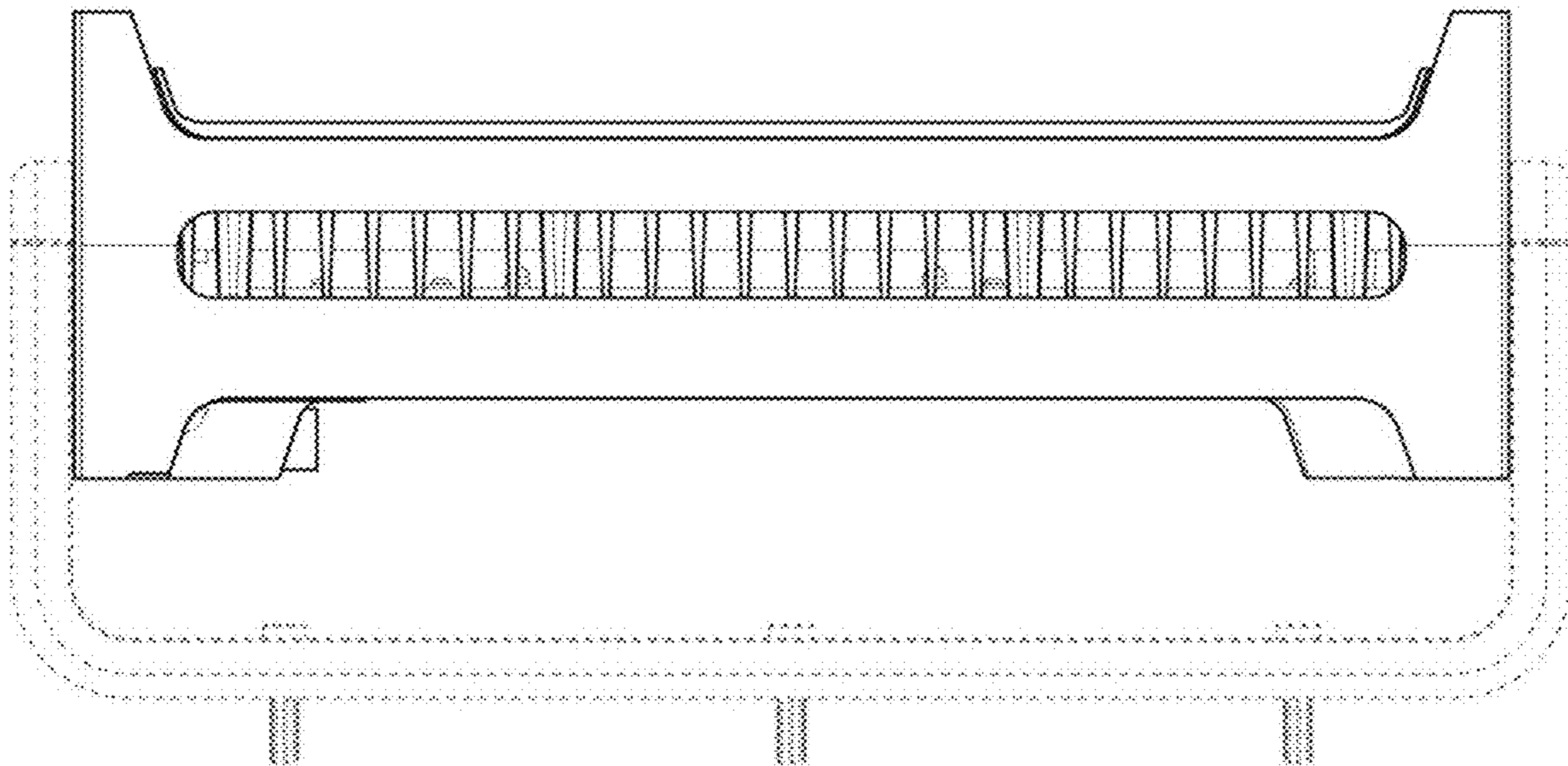
**1 Claim, 7 Drawing Sheets**



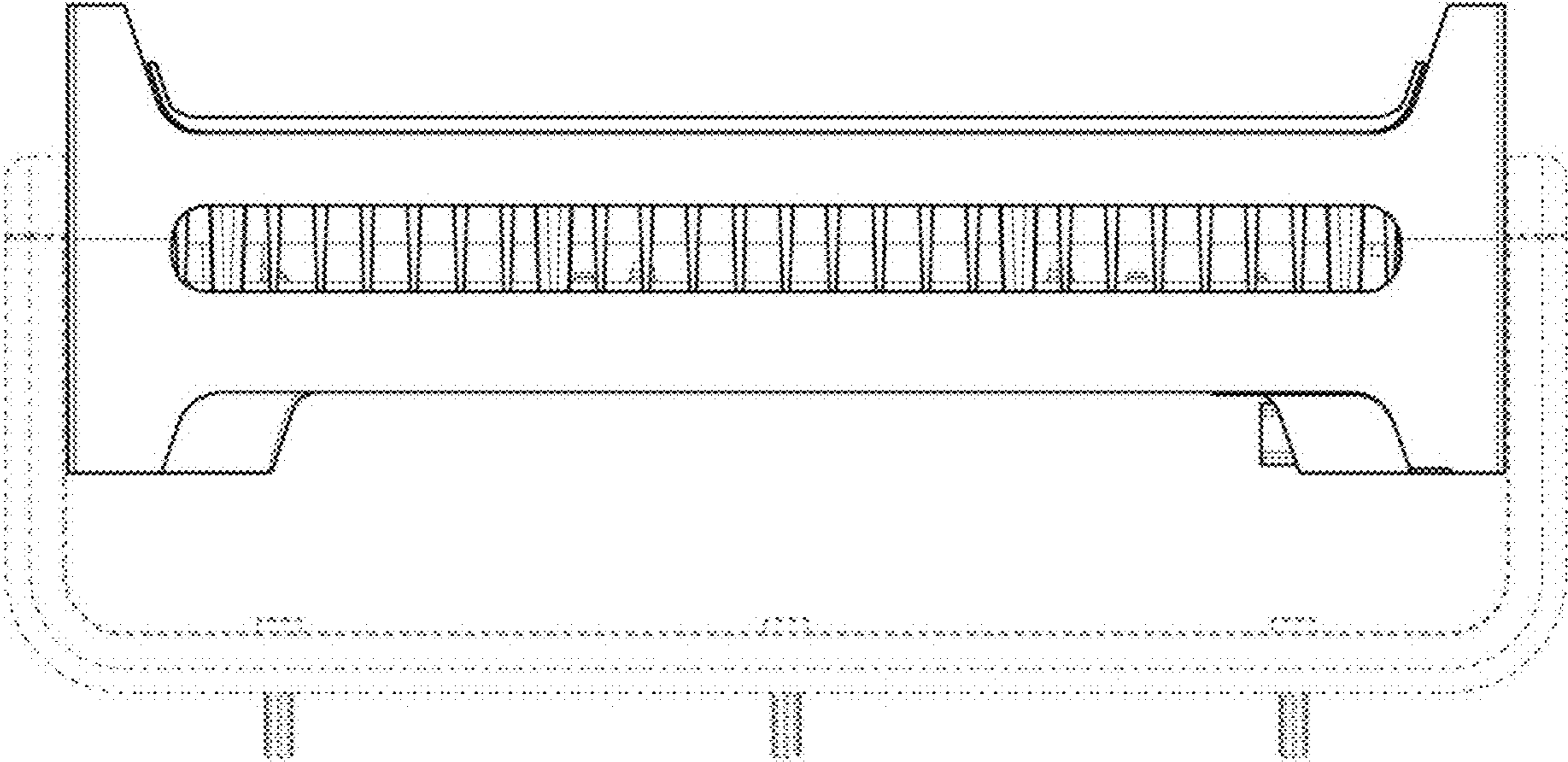
1.1



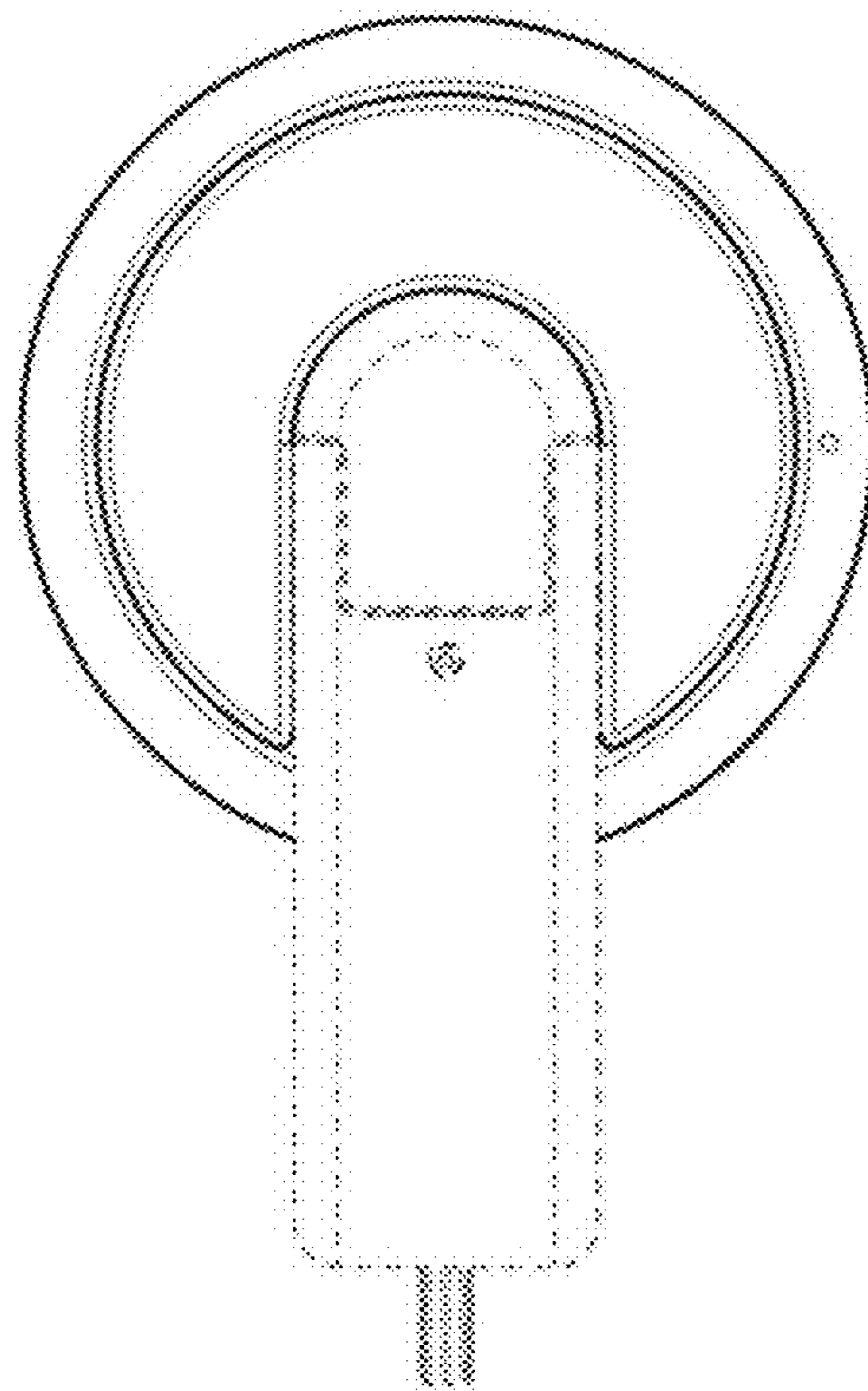
1.2



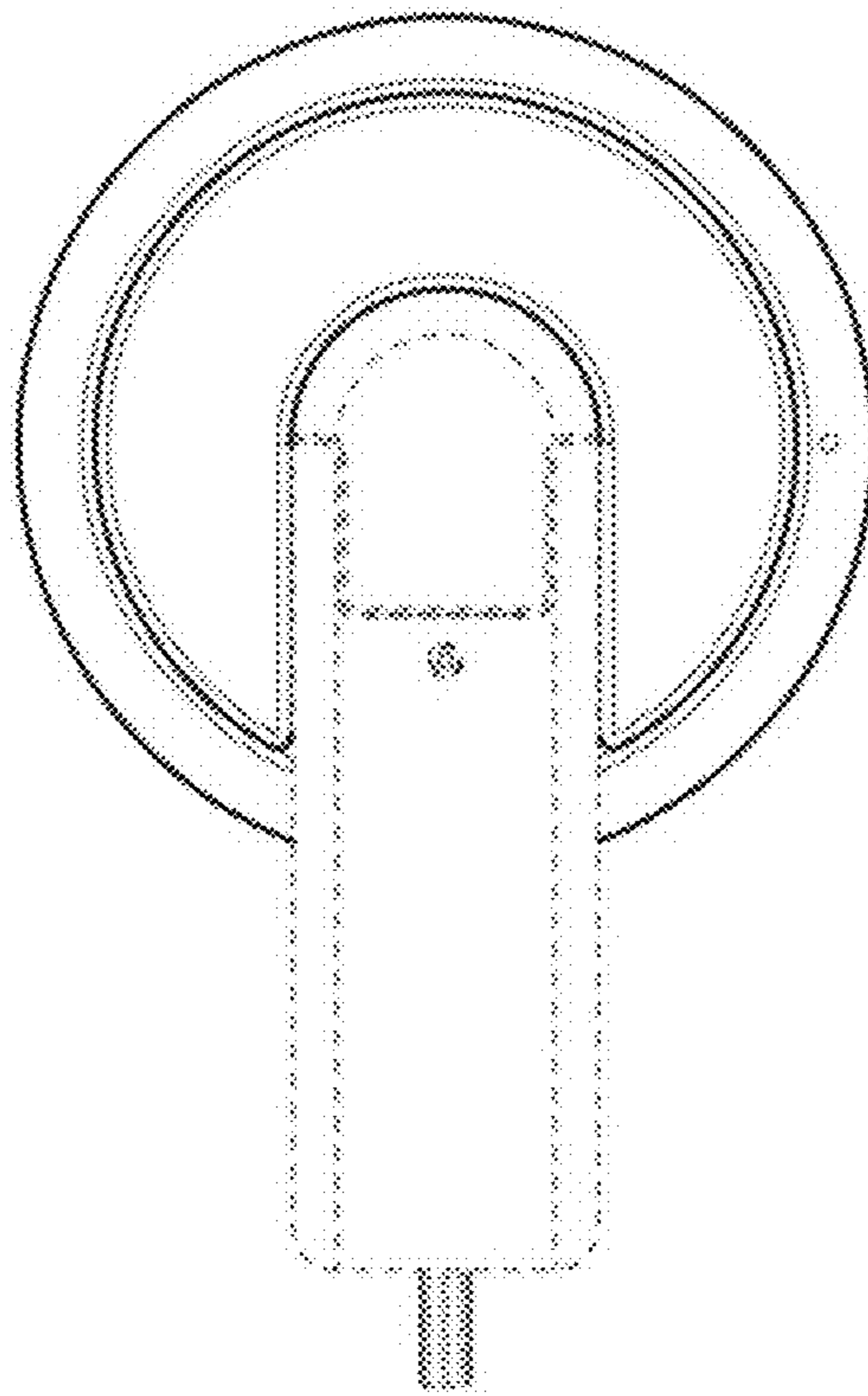
1.3



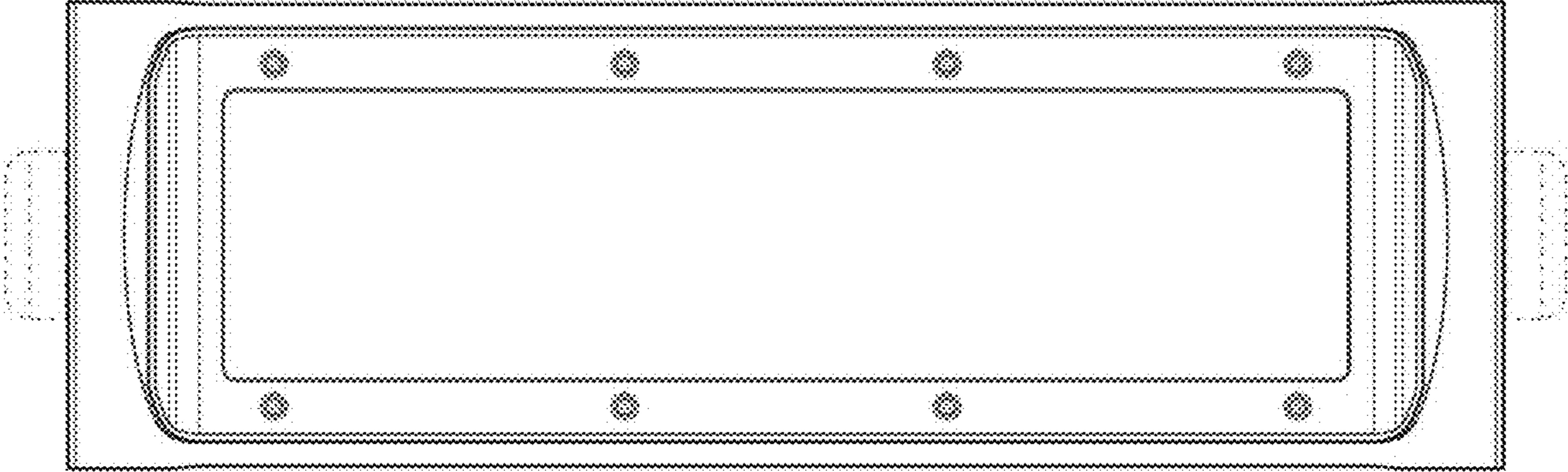
1.4



1.5



1.6



1.7

