



US00D806934S

(12) **United States Design Patent**
Lee et al.

(10) **Patent No.:** **US D806,934 S**
(45) **Date of Patent:** **** Jan. 2, 2018**

(54) **LIGHTING FIXTURE**

CPC .. F21S 8/04; F21V 15/02; F21V 21/03; F21V 29/20; F21V 29/2212

(71) Applicant: **PHILIPS LIGHTING HOLDING B.V.**, Eindhoven (NL)

See application file for complete search history.

(72) Inventors: **Stephen Lee**, Londonderry, NH (US); **Peter Swai**, Wakefield, MA (US); **Zachary Robert Wessner**, Salem, NH (US); **Timothy Jordan**, Lexington, MA (US); **Benjamin Daniel Sweet-Block**, Arlington, MA (US)

(56) **References Cited**

U.S. PATENT DOCUMENTS

D244,715 S *	6/1977	Fierro	D26/119
D331,634 S *	12/1992	Browne	D26/119
D359,139 S *	6/1995	Kaczmarek	D26/119
D375,381 S *	11/1996	Carr	D26/119
D422,374 S *	4/2000	Spitler	D26/119

(73) Assignee: **PHILIPS LIGHTING HOLDING B.V.**, Eindhoven (NL)

* cited by examiner

(**) Term: **15 Years**

Primary Examiner — Zenia Bennett

(21) Appl. No.: **35/501,831**

(57) **CLAIM**

(22) Filed: **Oct. 18, 2016**

The ornamental design for a lighting fixture, as shown and described.

(80) **Hague Agreement Data**

Int. Filing Date: **Oct. 18, 2016**
Int. Reg. No.: **DM/093046**
Int. Reg. Date: **Oct. 18, 2016**
Int. Reg. Pub. Date: **Nov. 4, 2016**

DESCRIPTION

(30) **Foreign Application Priority Data**

Apr. 25, 2016 (EM) 003091503-0002

(51) **LOC (11) Cl.** **26-05**

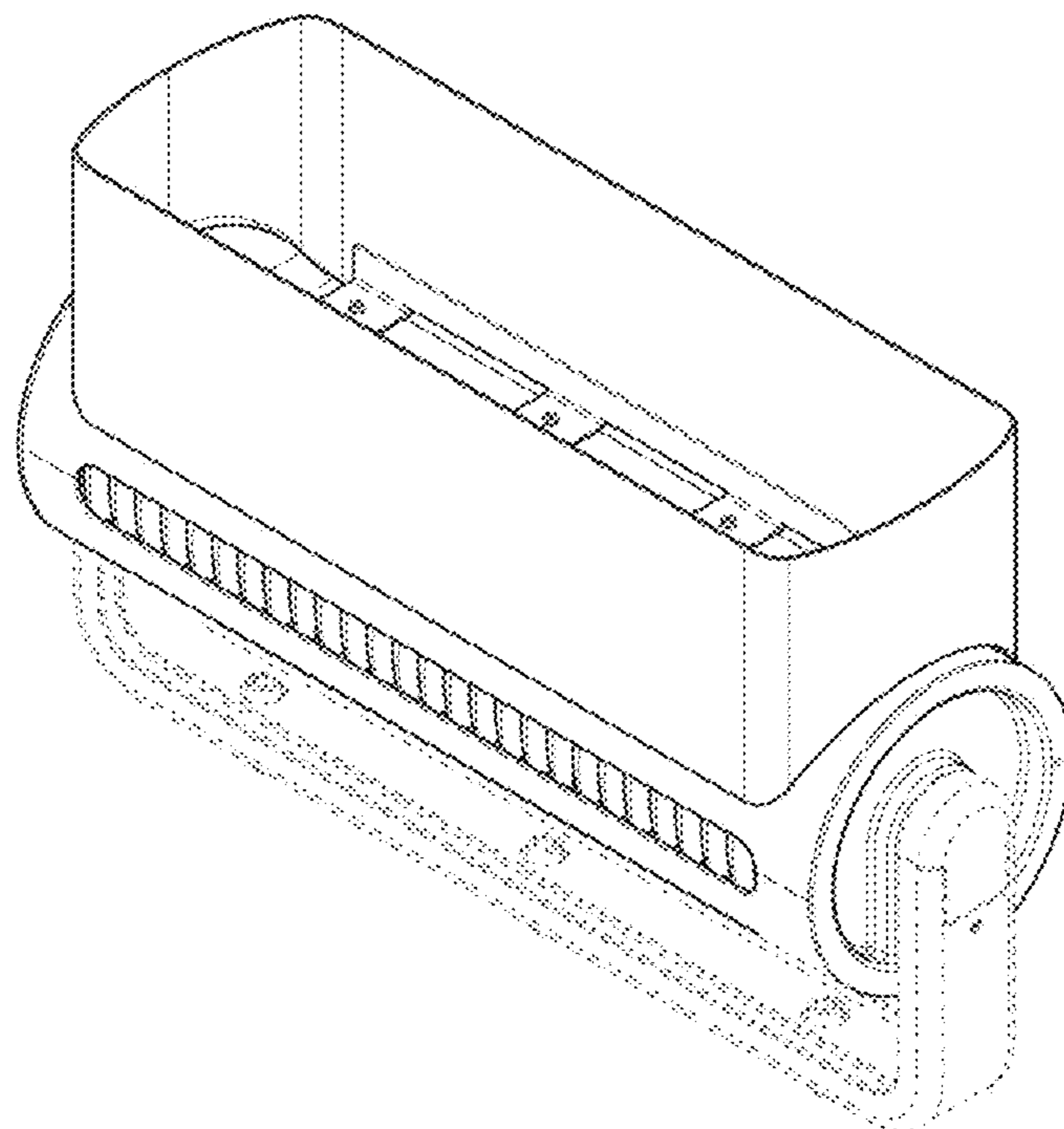
(52) **U.S. Cl.**
USPC **D26/118**

(58) **Field of Classification Search**
USPC D26/72, 89, 118, 119

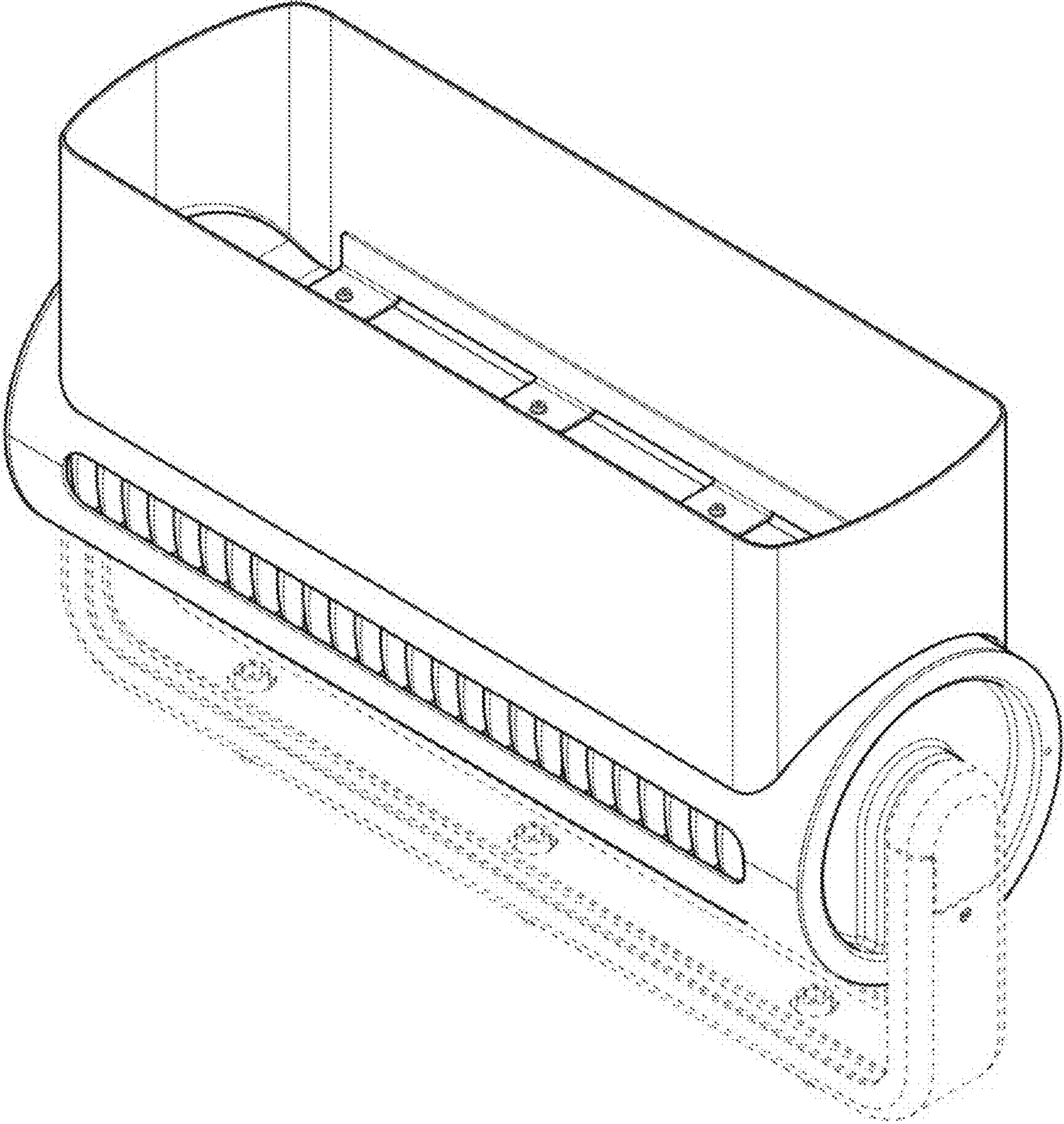
- 1. Lighting fixture
- 1.1 : Perspective
- 1.2 : Front
- 1.3 : Back
- 1.4 : Right
- 1.5 : Left
- 1.6 : Top
- 1.7 : Bottom

The broken lines in the drawing are for illustrative purposes only and form no part of the claimed design.

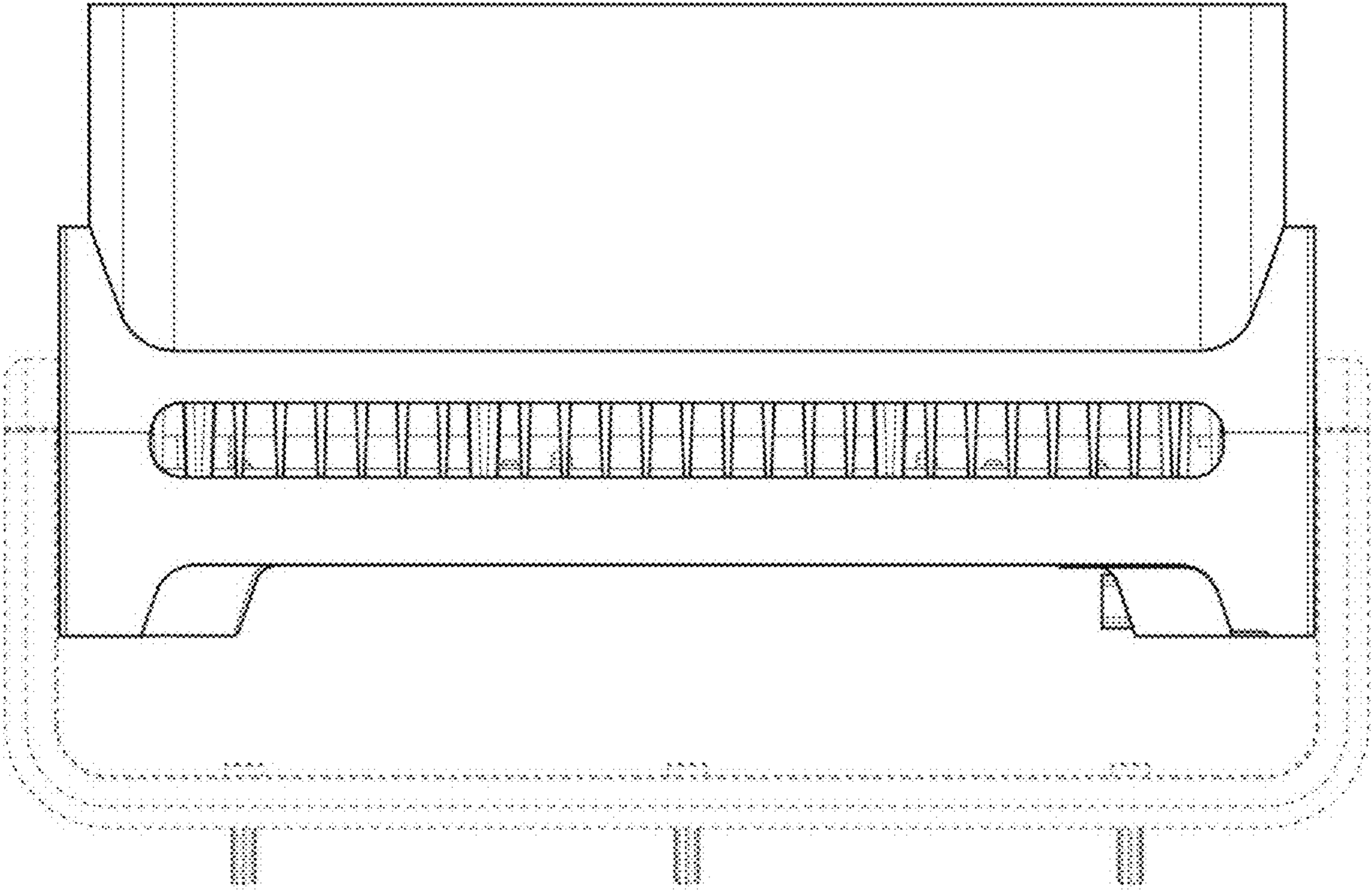
1 Claim, 7 Drawing Sheets



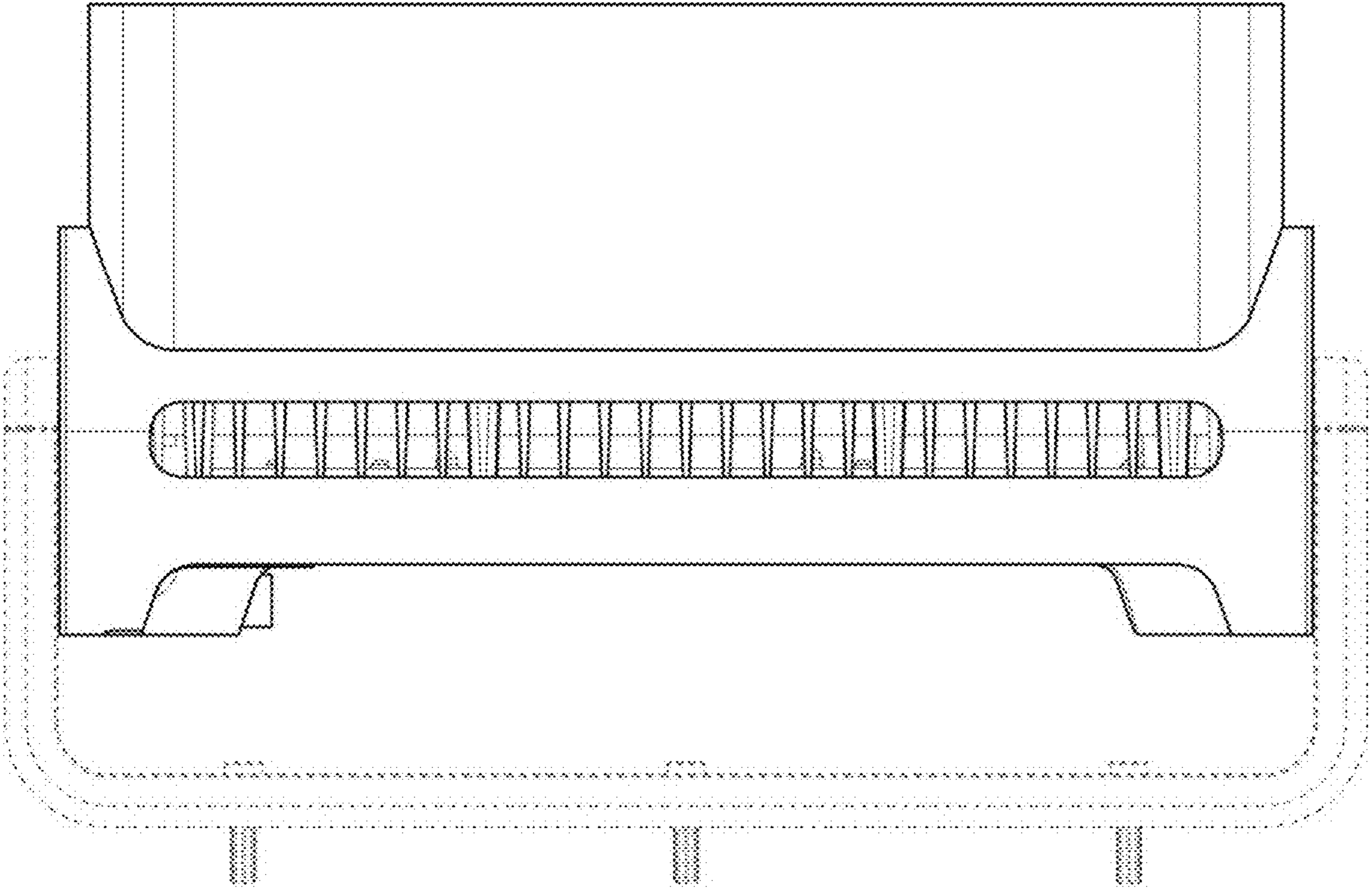
1.1



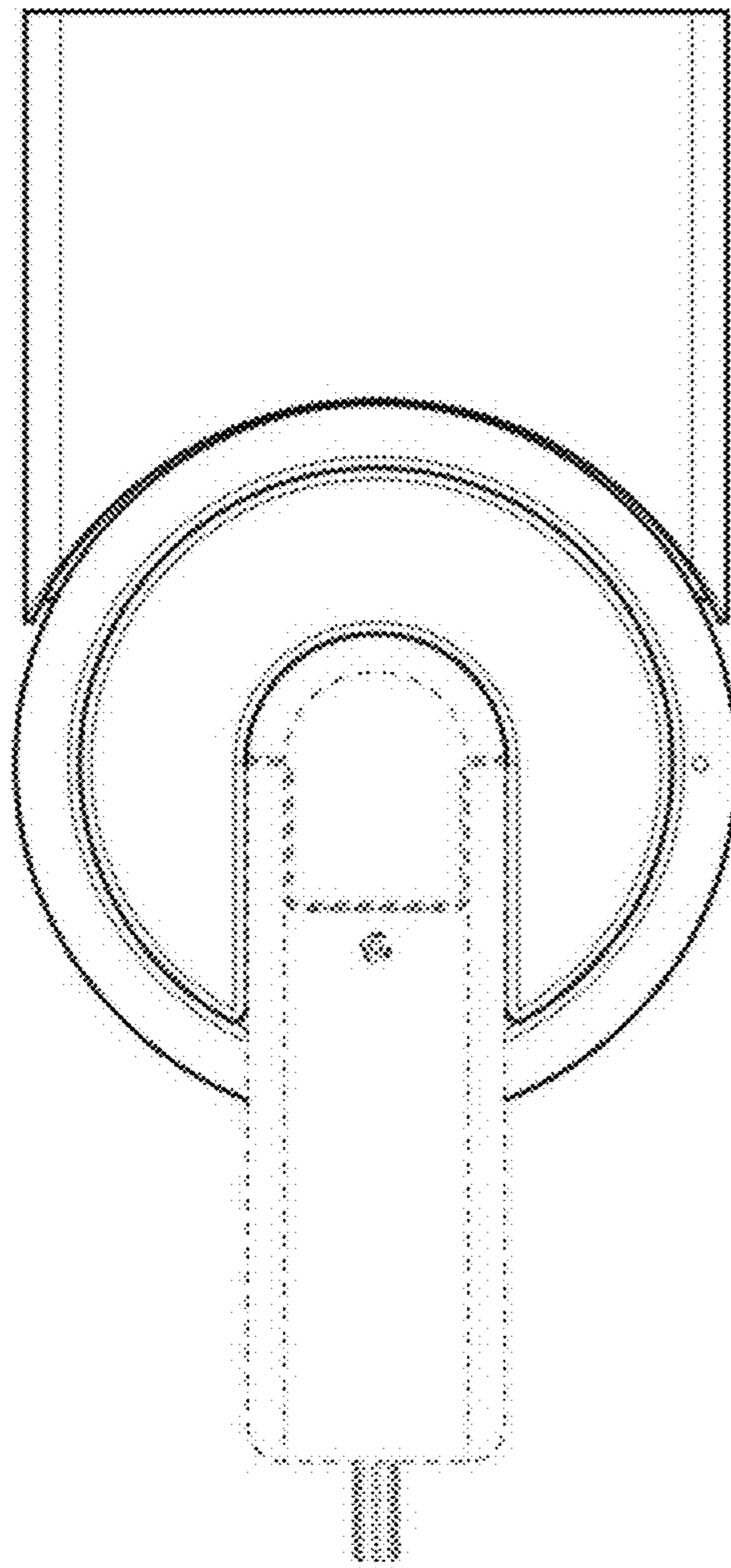
1.2



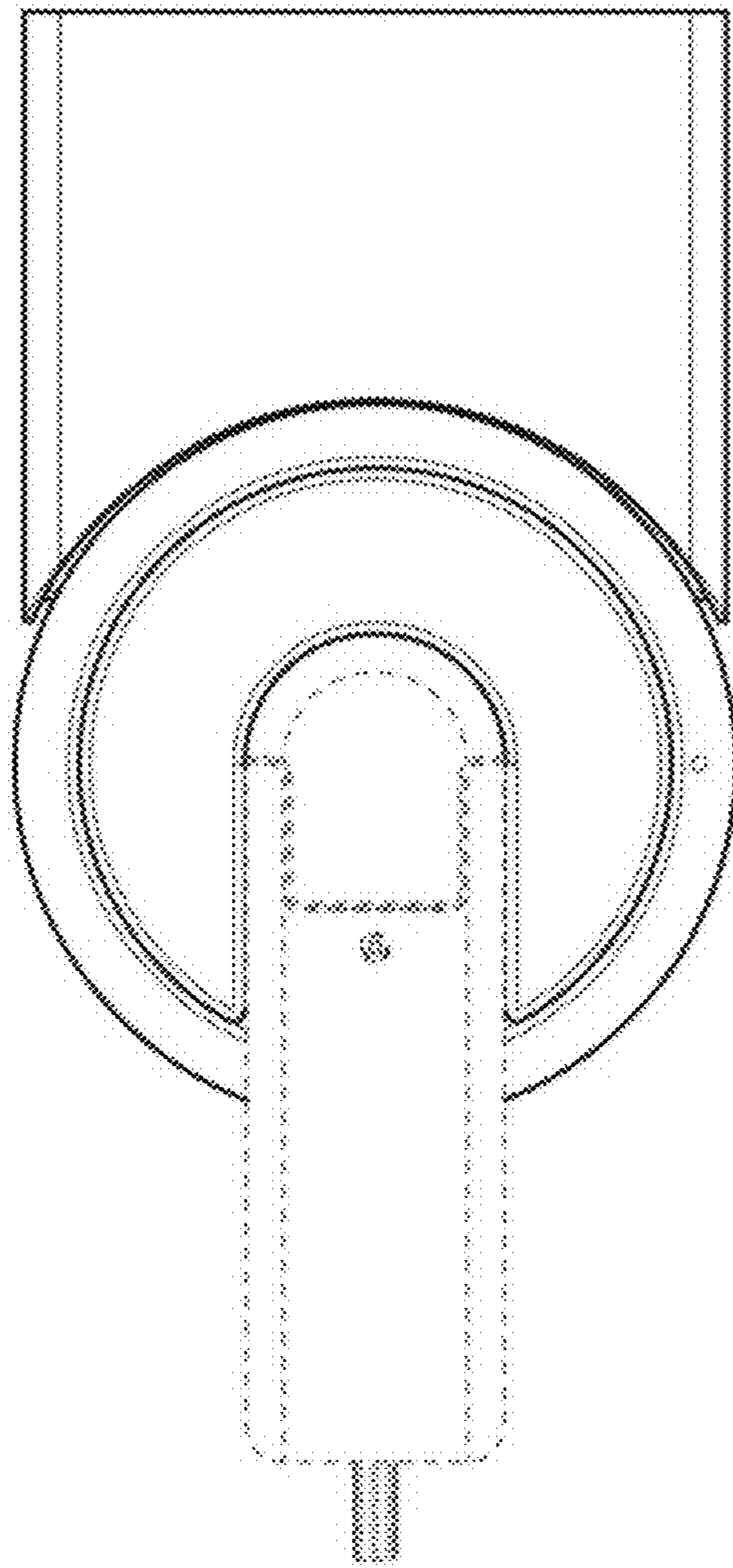
1.3



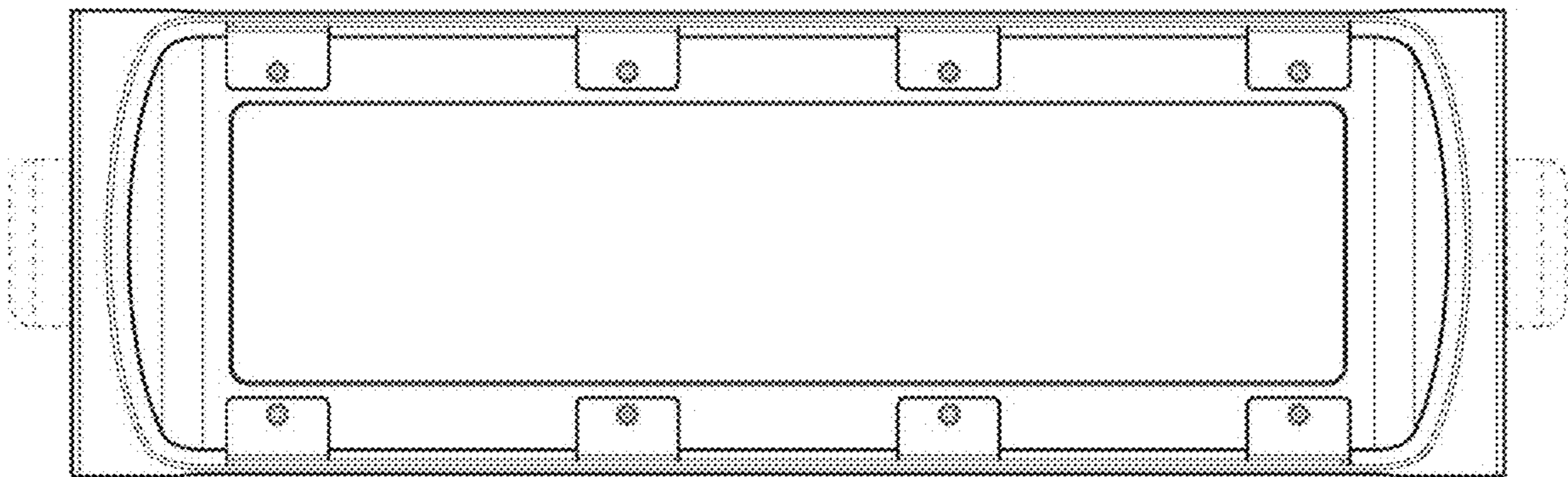
1.4



1.5



1.6



1.7

