



US00D806933S

(12) **United States Design Patent**  
**Hui**

(10) **Patent No.:** **US D806,933 S**

(45) **Date of Patent:** **\*\* Jan. 2, 2018**

- (54) **FLOATING SOLAR LIGHT**
- (71) Applicant: **Compurobot Technology Company,**  
Dongguan (CN)
- (72) Inventor: **Wing-Tak Hui,** Hong Kong (CN)
- (73) Assignee: **COMPUROBOT TECHNOLOGY**  
**CO.,** Dongguan (CN)
- (\*\*) Term: **15 Years**

D644,986 S *	9/2011	Ross	.....	D13/102
D669,848 S *	10/2012	Andresen	.....	D13/102
D697,023 S *	1/2014	Fallon	.....	D13/102
D715,731 S *	10/2014	Nook	.....	D13/102
D733,322 S *	6/2015	Walczak	.....	D13/102
D734,248 S *	7/2015	Nook	.....	D13/102
D743,329 S *	11/2015	Aiken	.....	D13/102
D756,907 S *	5/2016	Secard	.....	D13/102
D783,522 S *	4/2017	Cameron	.....	D13/102
D786,190 S *	5/2017	Li	.....	D13/102
D788,027 S *	5/2017	Gibson	.....	D13/102

\* cited by examiner

- (21) Appl. No.: **29/573,240**
- (22) Filed: **Aug. 3, 2016**
- (51) **LOC (11) Cl.** ..... **13-02**
- (52) **U.S. Cl.**  
USPC ..... **D26/102**
- (58) **Field of Classification Search**  
USPC ..... D13/102; D26/1, 24  
CPC ..... Y02E 10/50; H02J 7/355; H02S 10/40;  
H01L 31/18; H01L 31/022433; H01L  
31/0224; H01L 31/0475; H01L 31/042  
See application file for complete search history.

*Primary Examiner* — Brian N. Vinson  
(74) *Attorney, Agent, or Firm* — Weiss & Moy, P.C.;  
Jeffrey D. Moy

(57) **CLAIM**

The floating solar light, as shown and described.

**DESCRIPTION**

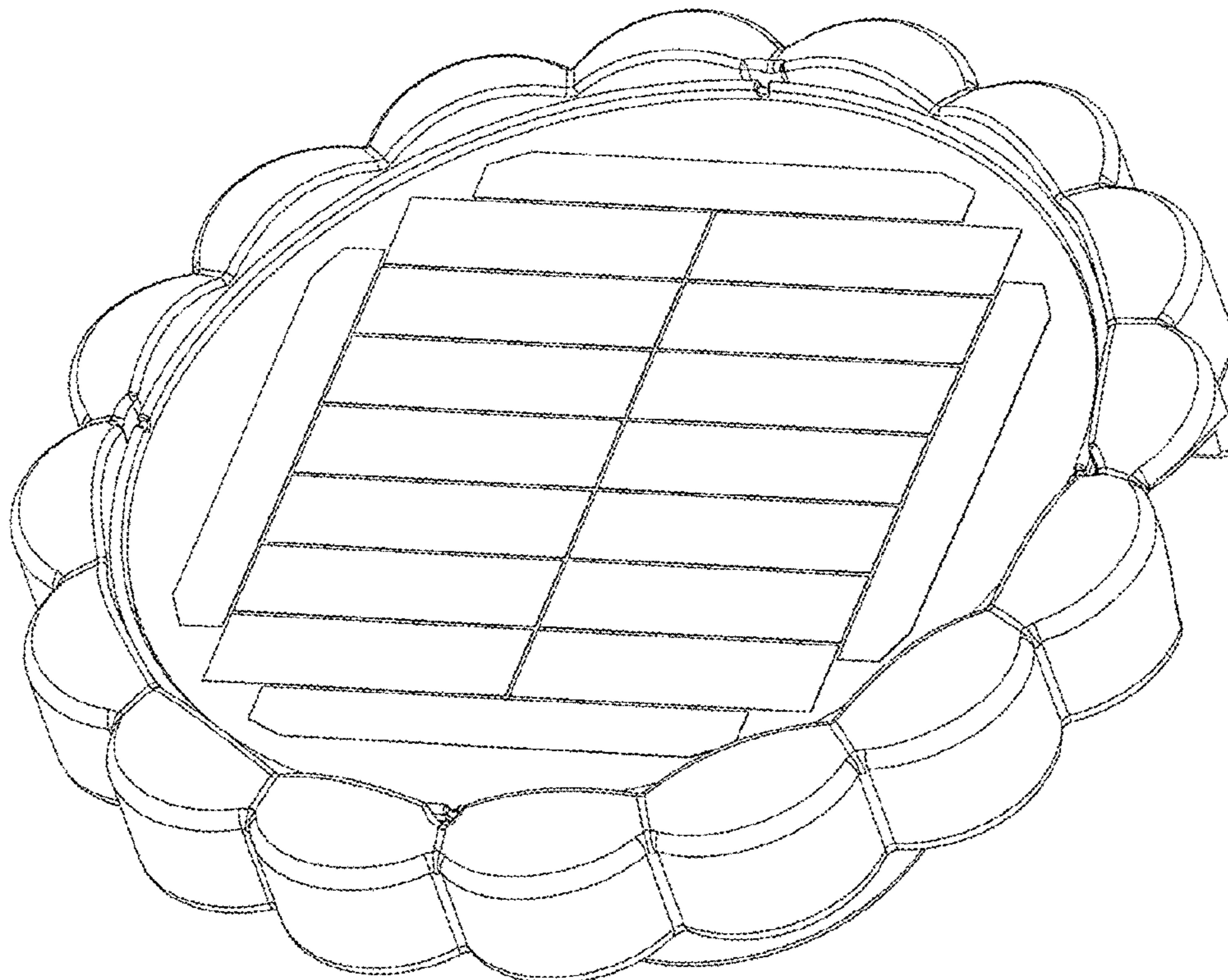
FIG. 1 is a perspective view of a floating solar light;  
FIG. 2 is a front view of a floating solar light;  
FIG. 3 is a rear view of a floating solar light;  
FIG. 4 is a left-side view of a floating solar light;  
FIG. 5 is a right-side view of a floating solar light;  
FIG. 6 is a top plan view of a floating solar light; and,  
FIG. 7 is a bottom plan view of a floating solar light.

(56) **References Cited**

**U.S. PATENT DOCUMENTS**

D534,488 S *	1/2007	Rosene	.....	D13/102
D555,084 S *	11/2007	Sharma	.....	D13/102

**1 Claim, 7 Drawing Sheets**



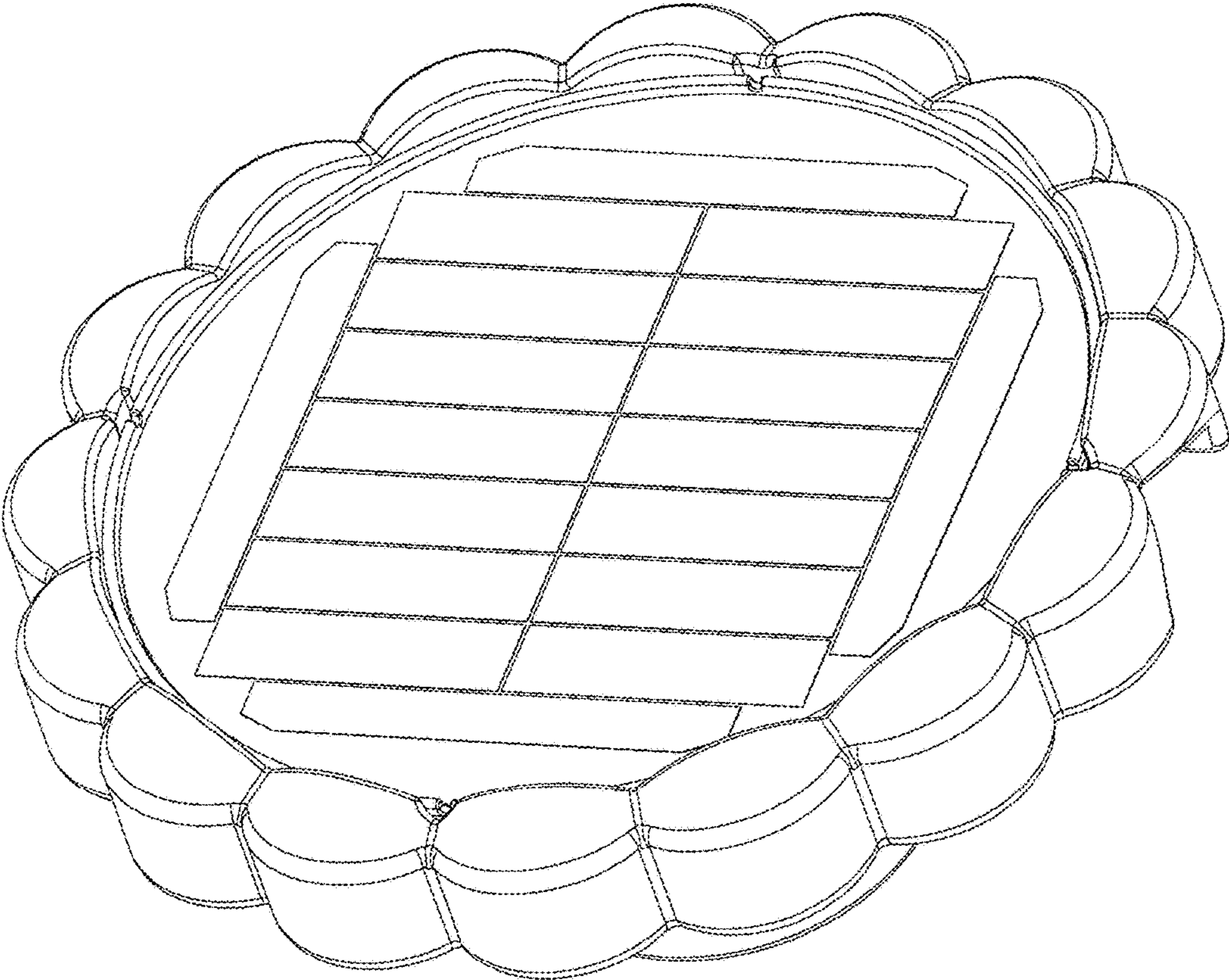


FIG. 1

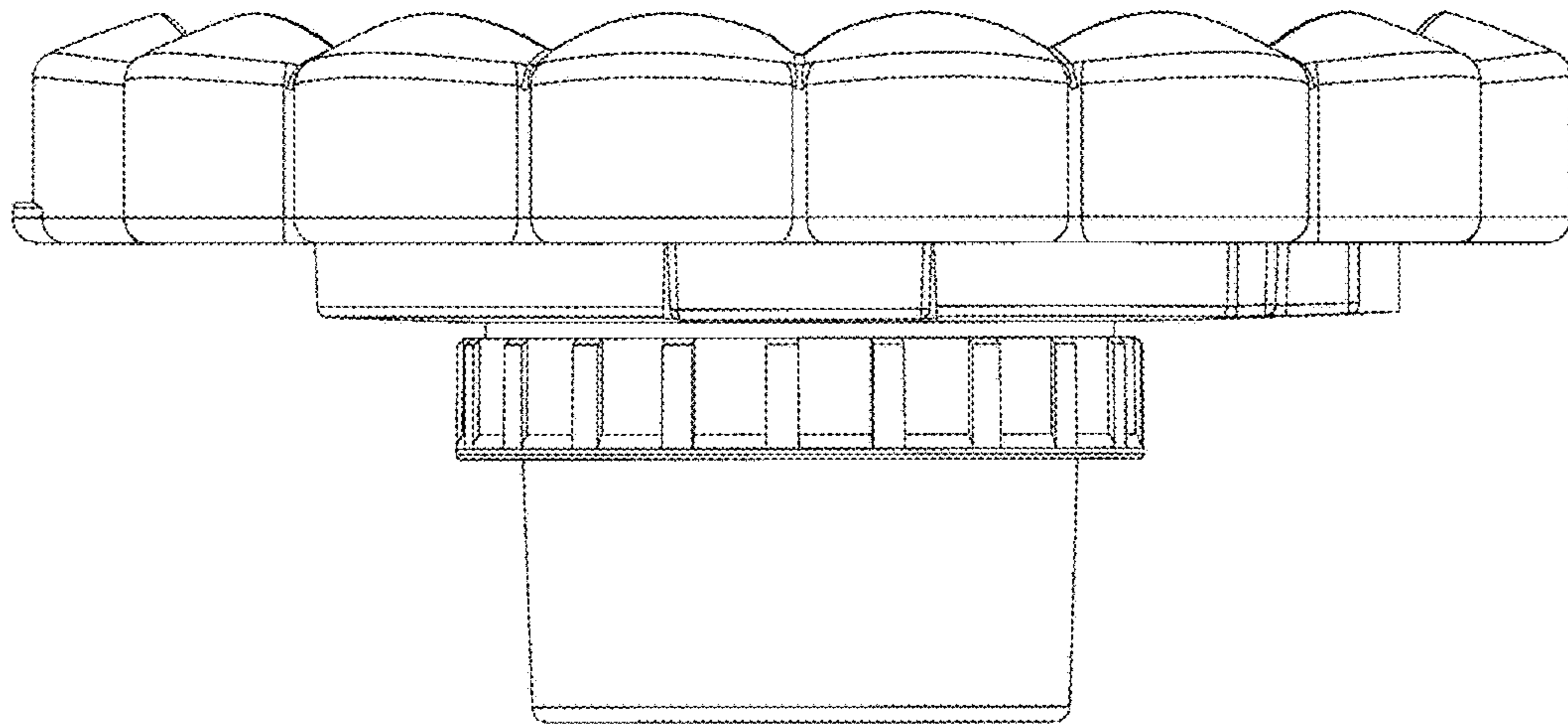


FIG. 2

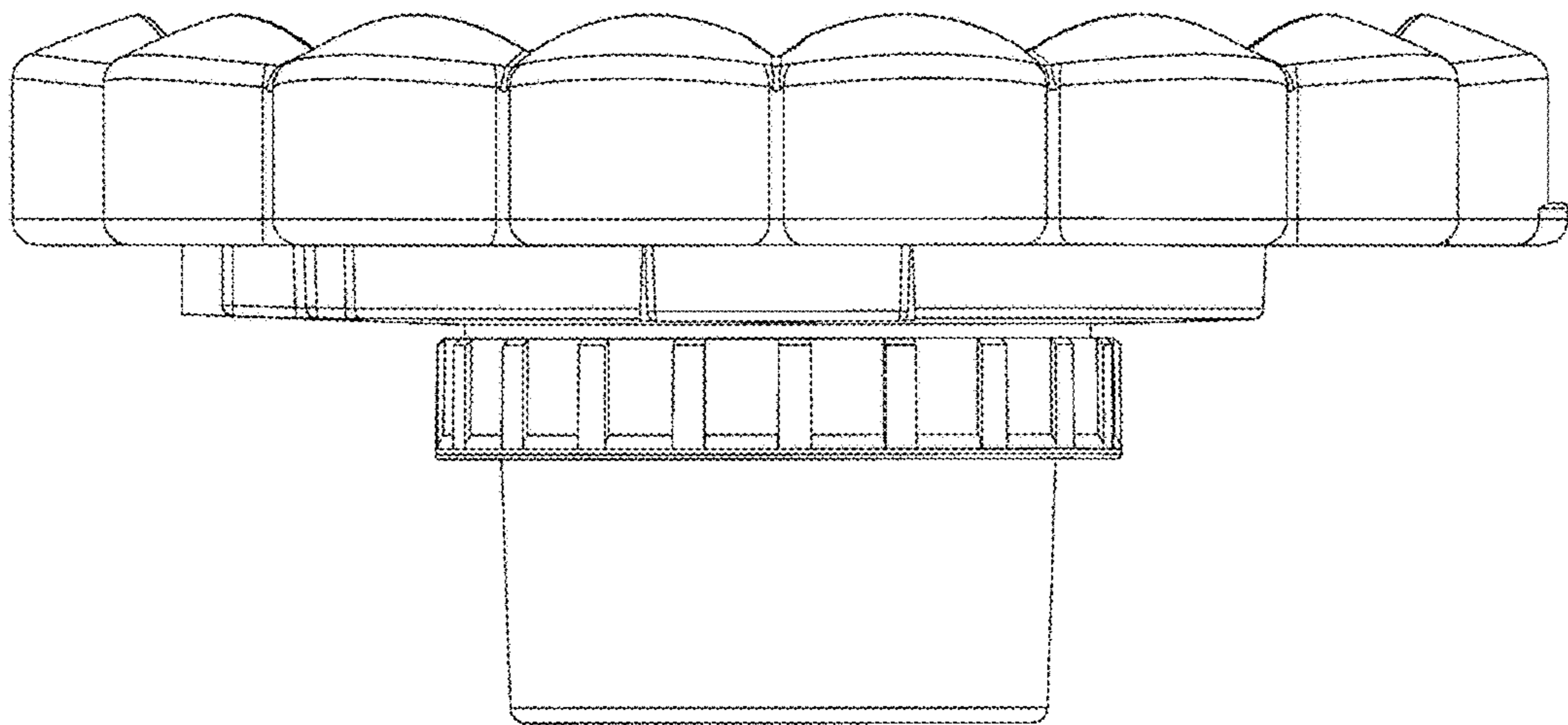


FIG. 3

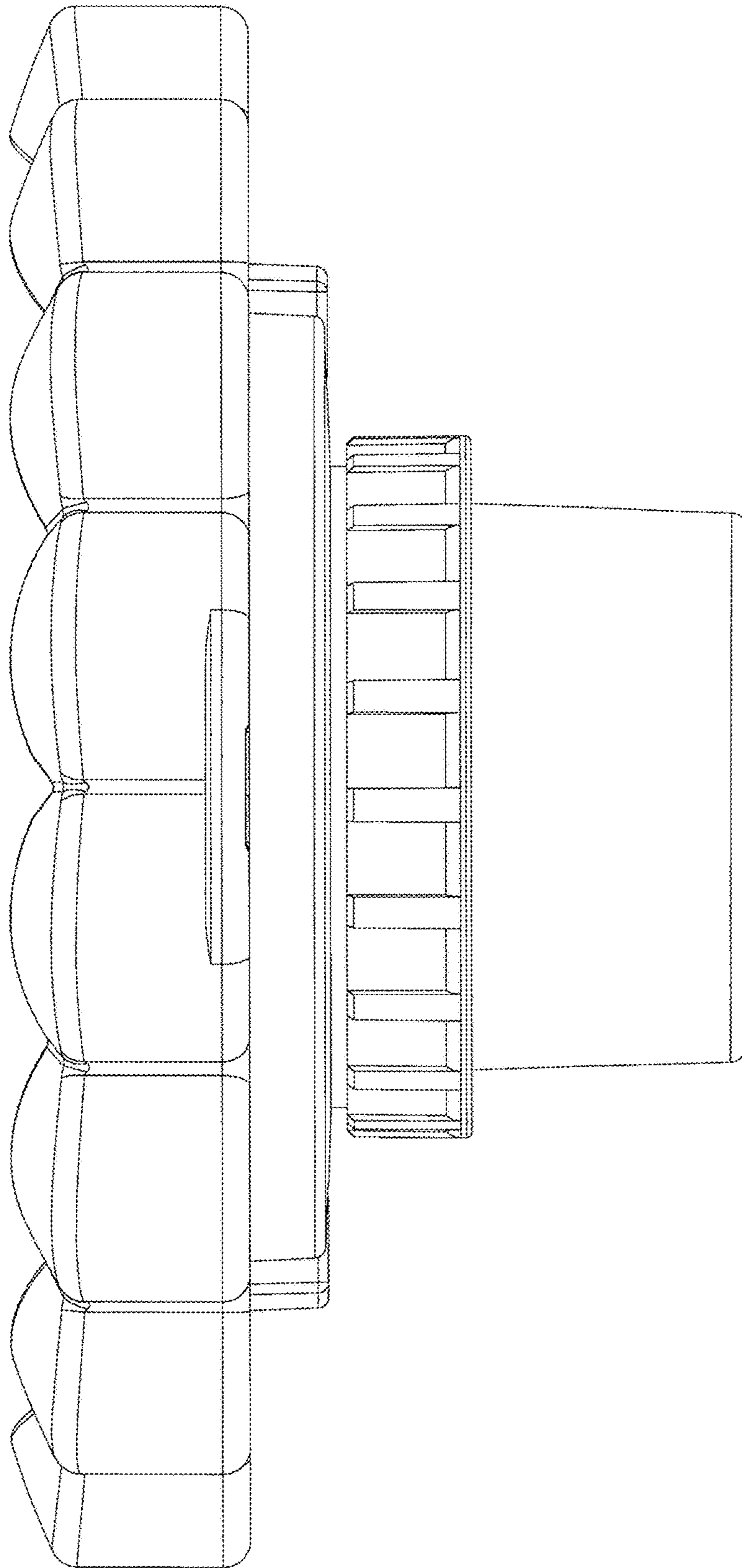


FIG. 4

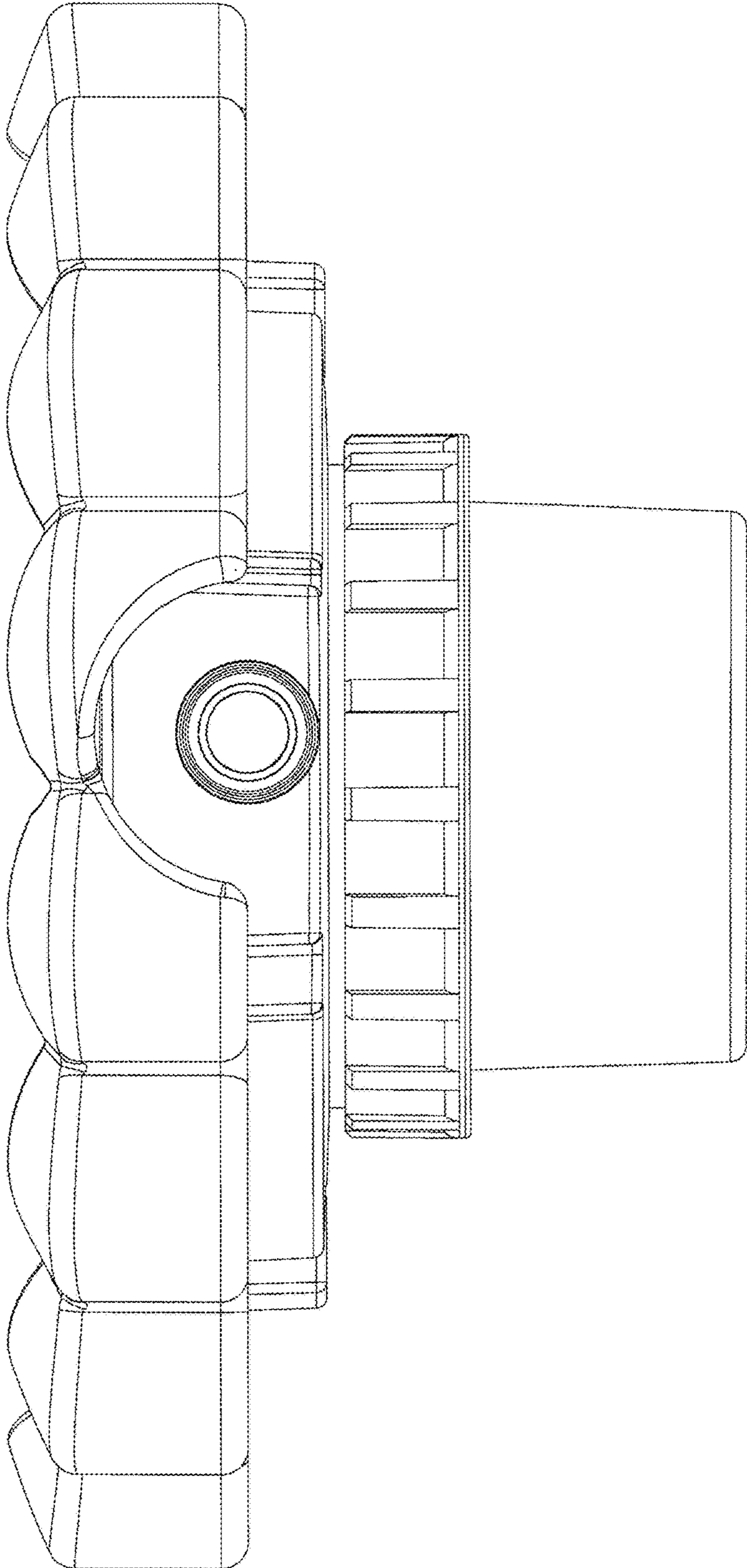


FIG. 5

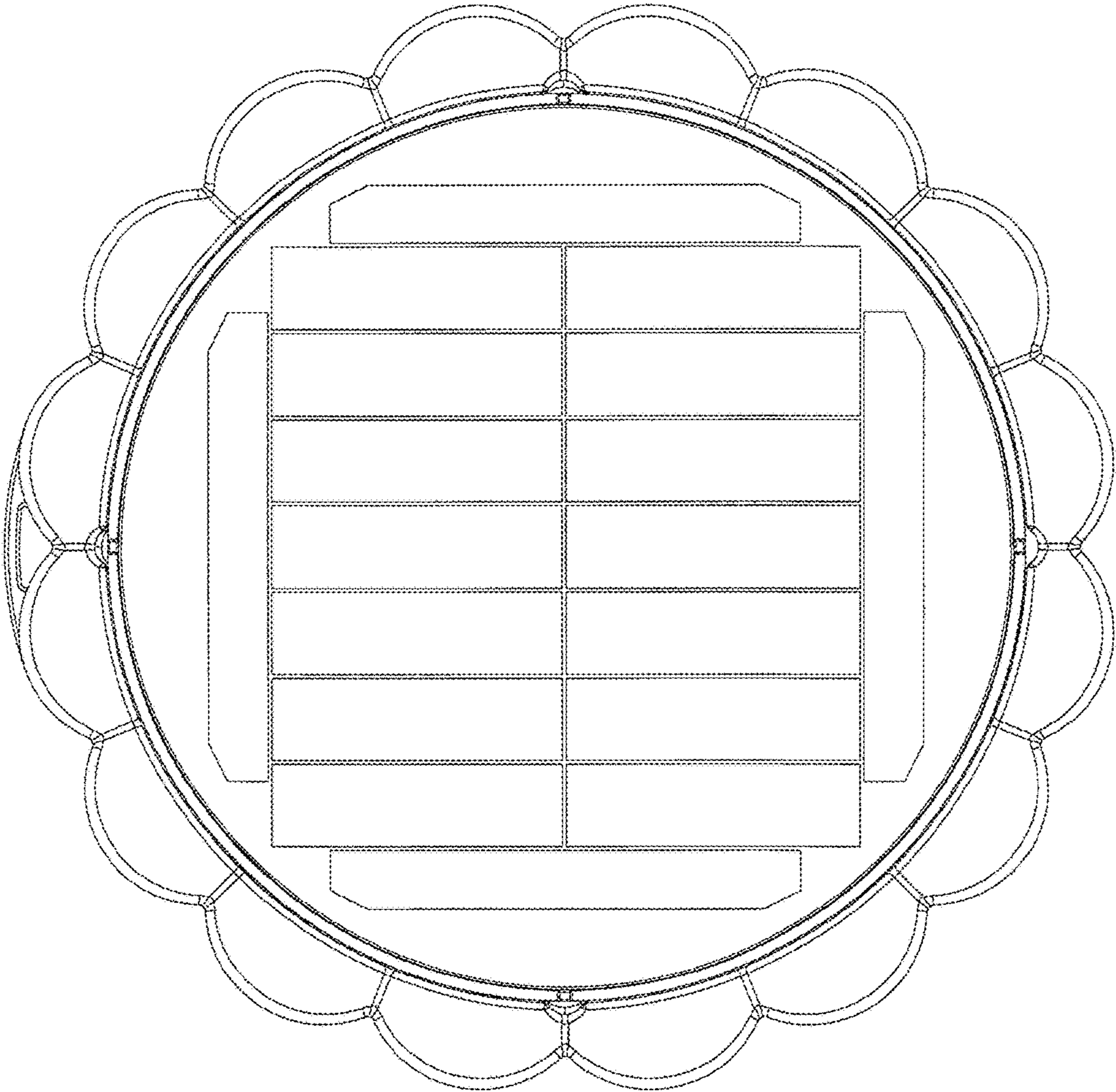


FIG. 6

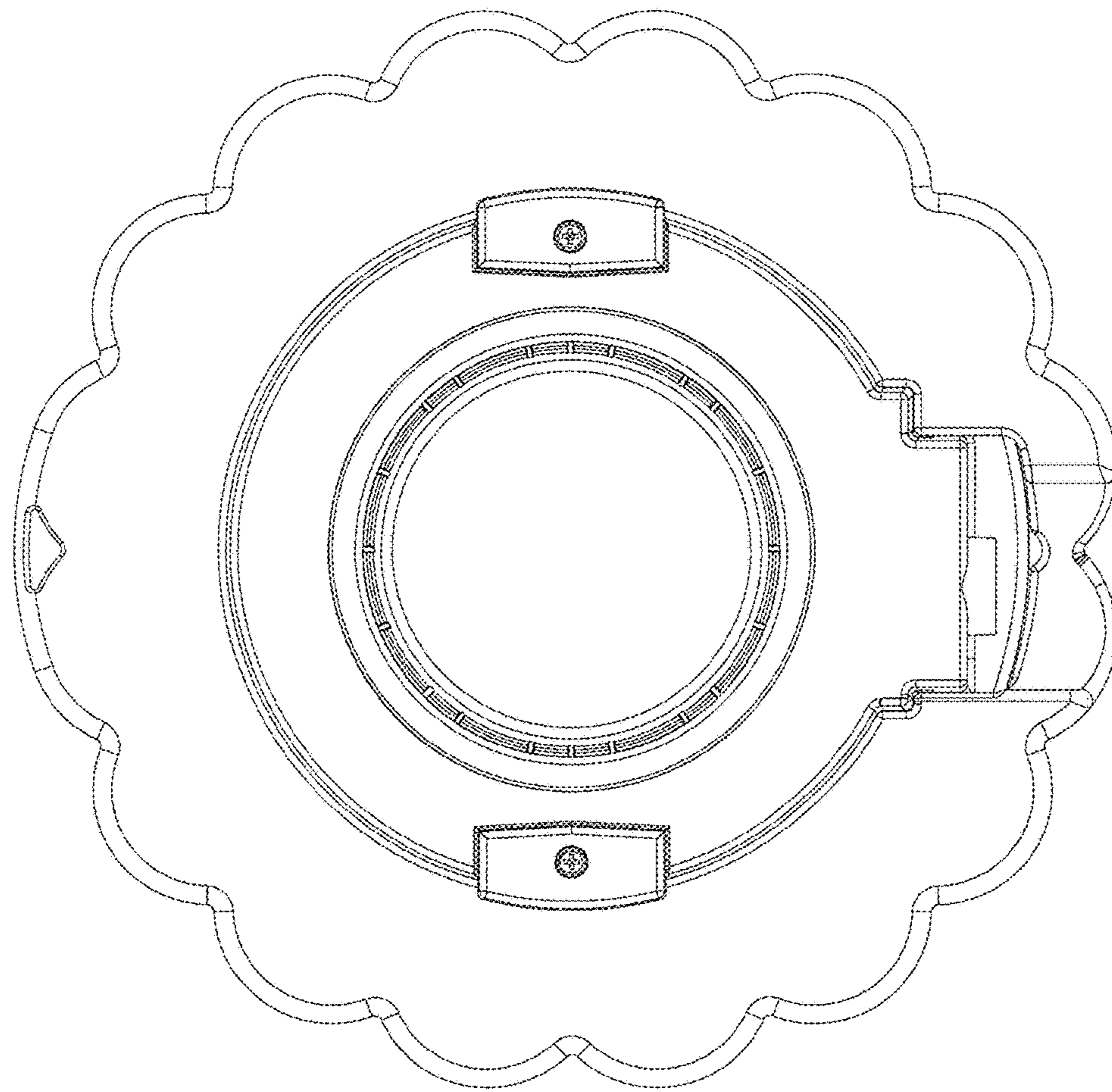


FIG. 7