



US00D806930S

(12) **United States Design Patent**  
**Santoro et al.**

(10) **Patent No.:** **US D806,930 S**  
(45) **Date of Patent:** **\*\* Jan. 2, 2018**

- (54) **SUSPENDED LUMINAIRE** 4,669,033 A \* 5/1987 Lee ..... F21S 8/00  
362/217.07
- (71) Applicant: **Fluxwerx Illumination Inc.**, Delta D294,067 S \* 2/1988 Ambasz ..... D26/76  
(CA) D480,830 S \* 10/2003 Sieczkowski ..... D26/118  
D499,834 S \* 12/2004 Yu ..... D26/118
- (72) Inventors: **Scott Santoro**, Delta (CA); **Julien** D558,379 S \* 12/2007 Citterio ..... D26/76  
**Mainguy**, Vancouver (CA) D605,329 S \* 12/2009 Watt ..... D26/118  
D617,935 S \* 6/2010 Miletich ..... D26/76
- (73) Assignee: **Fluxwerx Illumination Inc.**, Surrey D641,910 S \* 7/2011 Kong ..... D26/76  
(CA) D646,426 S \* 10/2011 Wolk ..... D26/85  
D654,208 S \* 2/2012 Marquardt ..... D26/85  
(Continued)

(\*\*) Term: **15 Years**

(21) Appl. No.: **29/552,993**

(22) Filed: **Jan. 27, 2016**

(51) **LOC (11) Cl.** ..... **26-03**

(52) **U.S. Cl.**  
USPC ..... **D26/90**

(58) **Field of Classification Search**  
USPC ..... D26/68, 72, 76, 90, 118  
CPC ... F21V 5/008; F21V 5/02; F21V 7/04; F21V  
7/041; F21V 7/043; F21V 7/045; F21V  
7/046; F21V 7/048; F21V 7/05; F21V  
7/06; F21V 7/07; F21V 7/08; F21V 7/09;  
F21S 8/04; F21S 8/06; F21S 8/061; F21S  
8/063; F21S 8/068

See application file for complete search history.

(56) **References Cited**

**U.S. PATENT DOCUMENTS**

- D110,198 S \* 6/1938 Stewart ..... D26/76
- 2,269,182 A \* 1/1942 Claspy ..... F21V 17/00  
362/361
- 2,277,433 A \* 3/1942 Guth ..... F21V 5/02  
362/356
- D141,068 S \* 5/1945 Maurette ..... D26/76
- D180,537 S \* 6/1957 Stevens ..... D26/76
- 3,009,054 A \* 11/1961 Thomas ..... F21S 8/06  
362/223
- 3,745,325 A \* 7/1973 Harvey ..... F21V 7/08  
359/359

**OTHER PUBLICATIONS**

Fold by Fluxwerx—online brochure © 016 found at fluxwerx.com, visited May 16, 2017. (7 pages).\*

*Primary Examiner* — Clare E Heflin

(74) *Attorney, Agent, or Firm* — Oyen Wiggs Green & Mutala LLP

(57) **CLAIM**

The ornamental design for a suspended luminaire, as shown and described.

**DESCRIPTION**

FIG. 1 is a top view of the suspended luminaire showing our new design;

FIG. 2 is a left side view thereof, the right side being a mirror image;

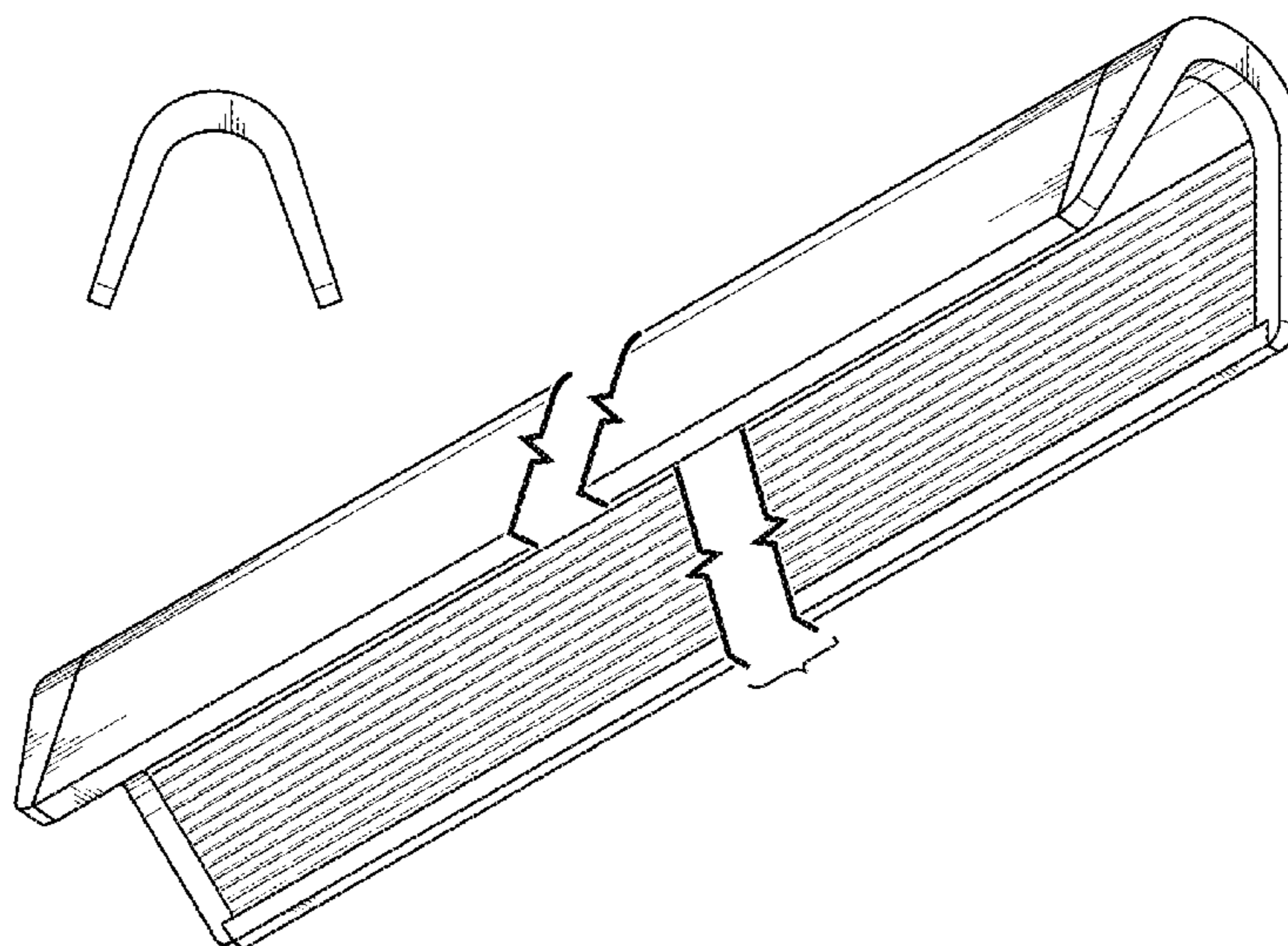
FIG. 3 is a front view thereof, the rear view being a mirror image;

FIG. 4 is a bottom view thereof; and,

FIG. 5 is a bottom front right perspective view thereof, the bottom rear left perspective view being a mirror image.

The suspended luminaire is shown with symbolic break lines along its width. The appearance of any portion of the article between the break lines forms no part of the claimed design.

**1 Claim, 2 Drawing Sheets**



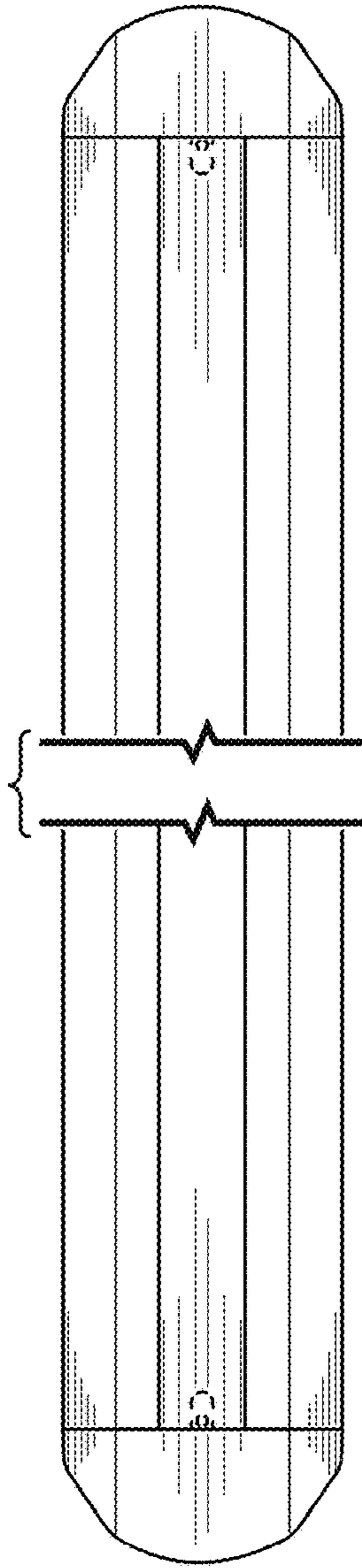
(56)

**References Cited**

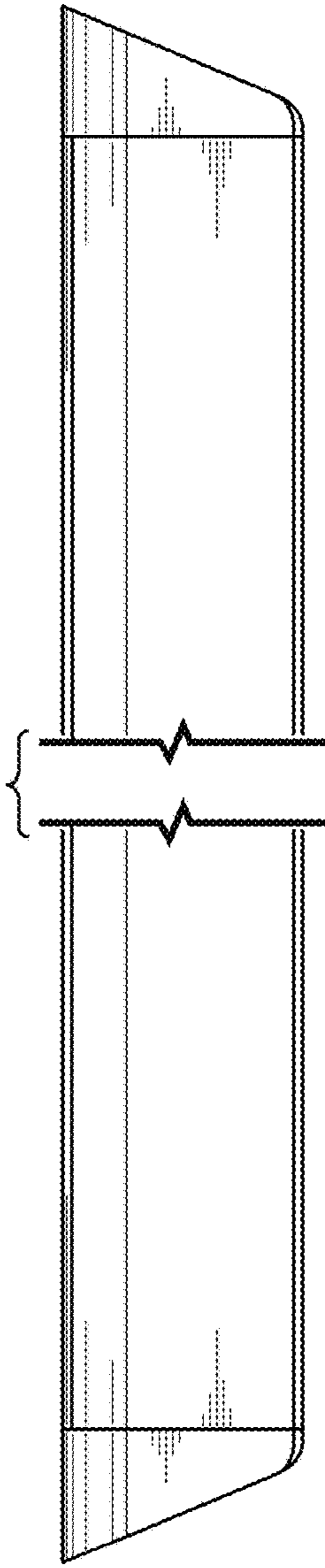
U.S. PATENT DOCUMENTS

D664,282	S *	7/2012	Santoro	.....	D26/76
D695,445	S *	12/2013	Panchisin	.....	D26/118
D731,700	S *	6/2015	Santoro	.....	D26/118
D738,563	S *	9/2015	Martins	.....	D26/118
D740,479	S *	10/2015	Beno	.....	D26/118
D774,682	S *	12/2016	Chen	.....	D26/85
2005/0157498	A1 *	7/2005	Dicken	.....	E04B 9/32 362/277
2007/0194874	A1 *	8/2007	Bowman	.....	H01F 27/02 336/120
2016/0091169	A1 *	3/2016	Sun	.....	F21V 17/104 362/346

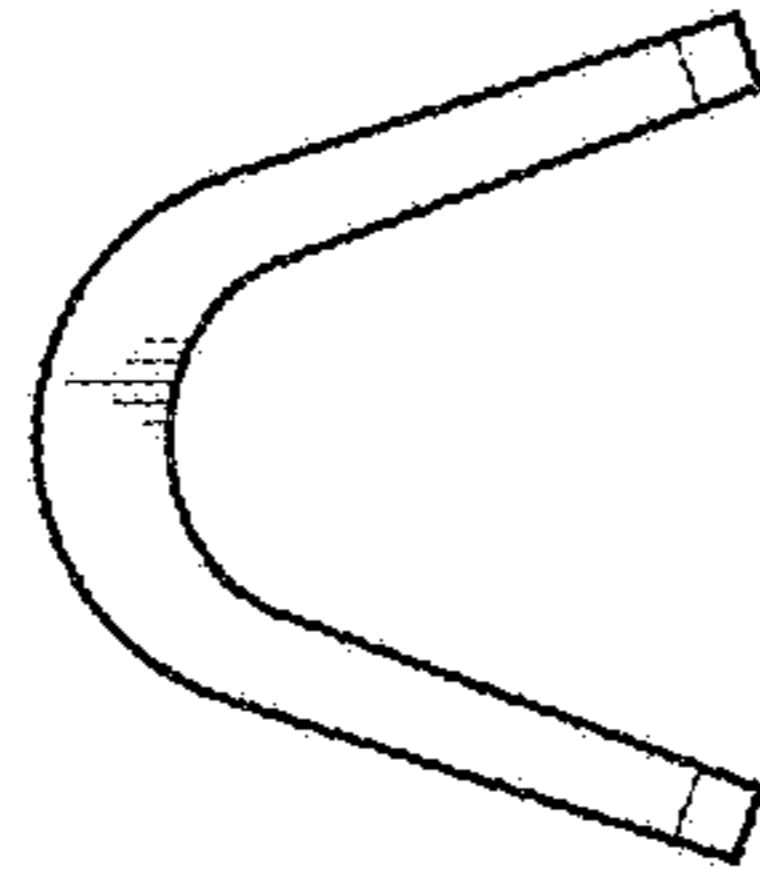
\* cited by examiner



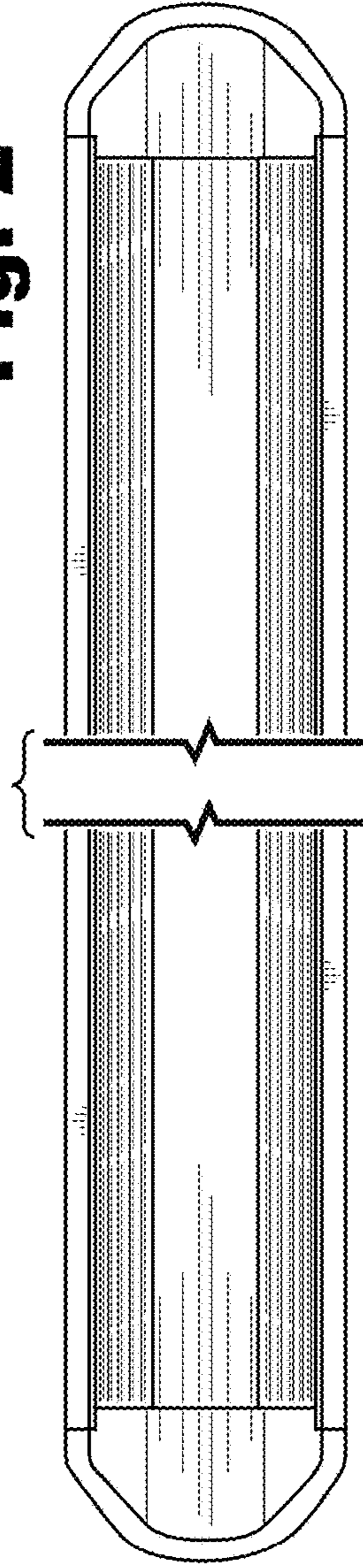
**Fig. 1**



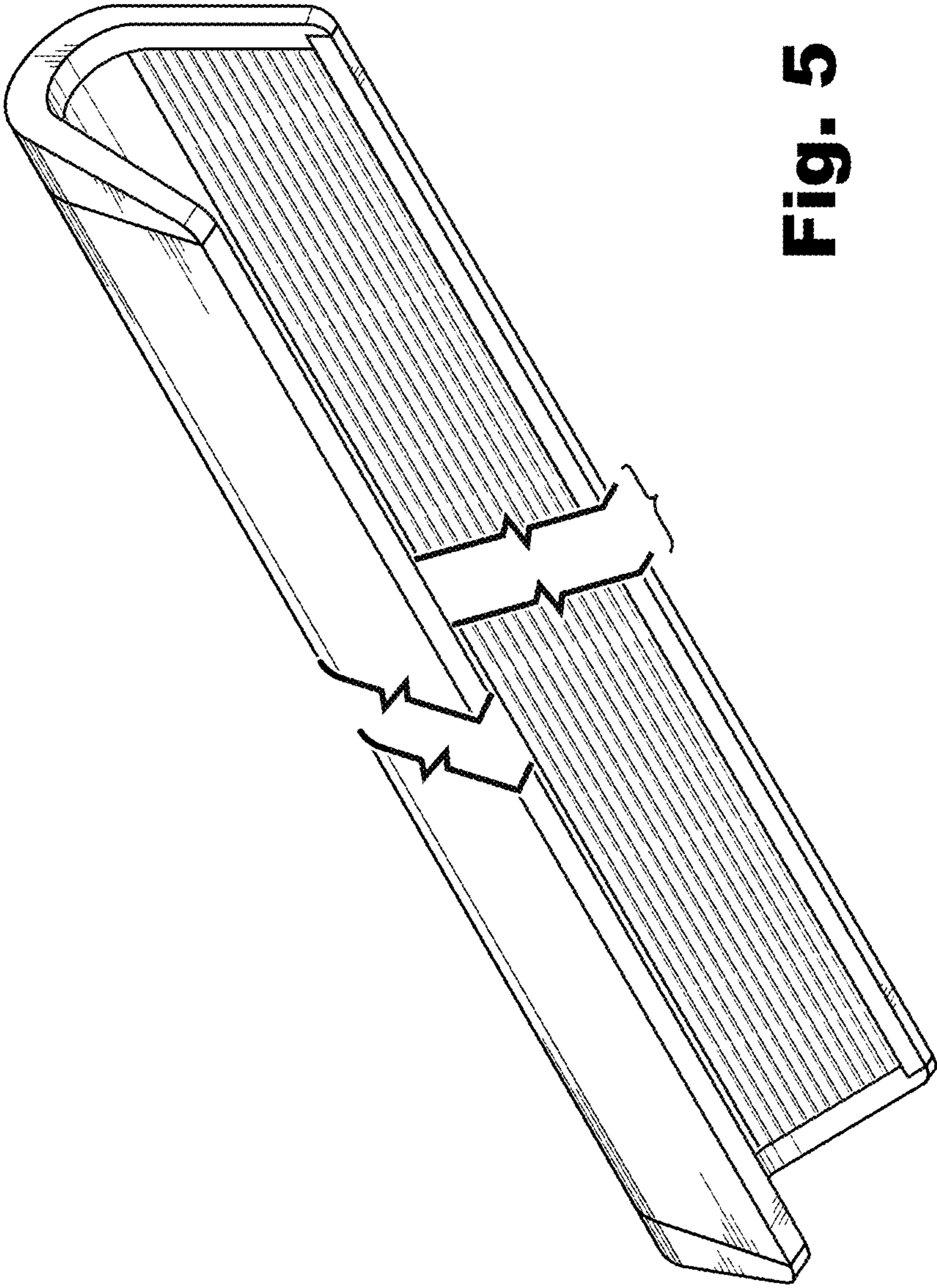
**Fig. 2**



**Fig. 3**



**Fig. 4**



**Fig. 5**