



US00D806929S

(12) **United States Design Patent** (10) **Patent No.:** **US D806,929 S**
Clark (45) **Date of Patent:** **** Jan. 2, 2018**

(54) **LIGHT FIXTURE**

(56) **References Cited**

(71) Applicant: **3form, LLC**, Salt Lake City, UT (US)

U.S. PATENT DOCUMENTS

(72) Inventor: **Bruce Clark**, Redmond, WA (US)

D97,213 S	11/1869	Stone	
D101,033 S	3/1870	Glatthar et al.	
D101,034 S	3/1870	Glatthar et al.	
D136,518 S	3/1873	Hofstetter	
D166,671 S	8/1875	Jernigan	
1,963,218 A	6/1934	Wakefield	
3,385,963 A	5/1968	Washick	
D264,136 S *	4/1982	Castiglioni	D26/85
4,799,526 A	1/1989	Reeves	
5,226,724 A	7/1993	Kanarek	
5,532,073 A *	7/1996	Hirata	H01M 8/247 429/460

(73) Assignee: **3Form, LLC**, Salt Lake City, UT (US)

(**) Term: **15 Years**

(21) Appl. No.: **29/560,673**

(22) Filed: **Apr. 8, 2016**

5,532,912 A	7/1996	Bendit	
5,662,412 A	9/1997	Glendmyer	
D387,459 S	12/1997	Cool	
5,702,180 A	12/1997	Huang	
5,758,588 A	6/1998	Orfali	
5,989,015 A *	11/1999	Guerin	F23D 14/02 239/555
6,025,549 A	2/2000	Harris	
6,302,566 B1	10/2001	Cohon	
D508,580 S	8/2005	Norris et al.	
6,964,507 B2	11/2005	Mohacsi	
D523,328 S *	6/2006	Ramos	D8/382
D523,771 S *	6/2006	Kwan	D11/30
D525,384 S	7/2006	Waycaster	
D525,738 S	7/2006	Waycaster	
D536,468 S	2/2007	Crosby	
D541,970 S	5/2007	Blackman	
D559,994 S *	1/2008	Nagakubo	D24/232
D566,320 S *	4/2008	Kim	D26/88
7,504,159 B1	3/2009	Suare	
D591,444 S	4/2009	Beno et al.	
D592,793 S	5/2009	Chandler	
D595,888 S	7/2009	Sabernig	
D596,452 S *	7/2009	Komorski	D7/387
D600,394 S	9/2009	Ambruster	
D603,083 S	10/2009	Trumble	
D605,333 S *	12/2009	Miranda	D26/88
7,766,536 B2	8/2010	Peifer	
D641,520 S *	7/2011	Grajcar	D26/152
D653,794 S	2/2012	Friedman	
D665,525 S *	8/2012	Patterson	D26/86
D666,354 S *	8/2012	Bracher	D26/143
D668,371 S *	10/2012	Alpaslan	D26/72
D671,676 S *	11/2012	Komarov	D26/88
D676,587 S	2/2013	Fisher	
D676,996 S	2/2013	Gismondi	
D684,294 S	6/2013	Goodson	

Related U.S. Application Data

(63) Continuation-in-part of application No. 14/646,232, filed as application No. PCT/US2013/070236 on Nov. 15, 2013, now Pat. No. 9,644,820, application No. 29/560,673, which is a continuation-in-part of application No. 14/912,396, filed as application No. PCT/US2014/065816 on Nov. 14, 2014, application No. 29/560,673, filed on Nov. 6, 2017, which is a continuation-in-part of application No. 14/677,890, filed as application No. PCT/US2015/033014 on Aug. 13, 2015.

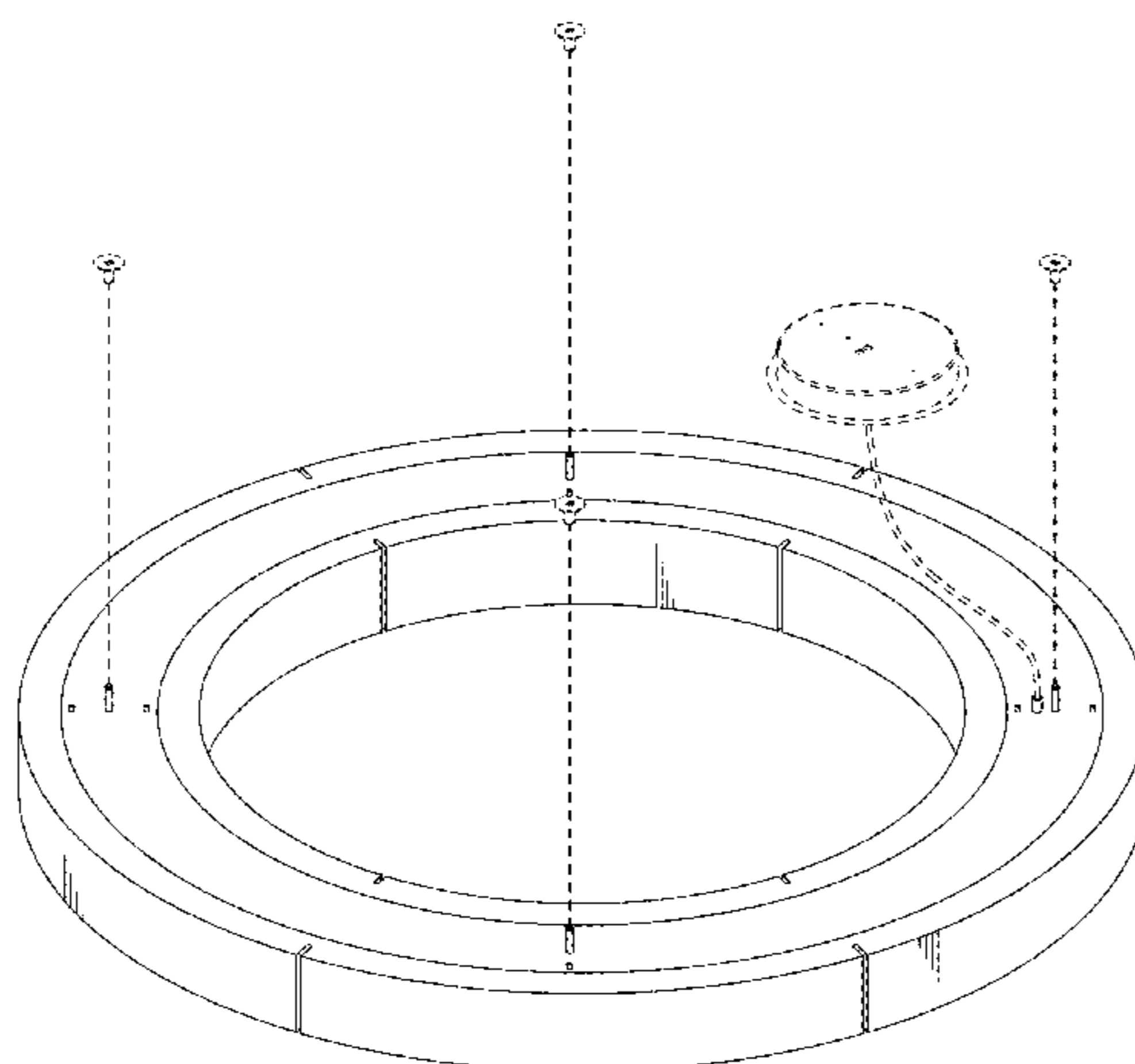
(60) Provisional application No. 62/004,081, filed on May 28, 2015.

(51) **LOC (11) Cl.** **26-05**

(52) **U.S. Cl.**
USPC **D26/88**

(58) **Field of Classification Search**
USPC D26/26, 27, 40, 42, 43, 60, 70, 72,
D26/74-84, 88-91, 104, 106, 113, 119,
D26/120, 122, 137, 135, 152, 153;
D10/111-115; D13/134; D14/473;
D25/126-135
CPC F21S 2/00; F21S 4/20; F21S 8/00; F21S
8/02; F21S 8/031; F21S 8/035; F21S
8/037; F21S 9/00; F21V 21/005; F21V
33/00

See application file for complete search history.



D686,363	S	7/2013	Smith	
D687,589	S *	8/2013	Wick	D26/90
8,517,845	B2 *	8/2013	Shin	F16F 15/126 403/12
D692,391	S *	10/2013	Kim	D13/154
D697,662	S	1/2014	Patterson	
D698,983	S *	2/2014	Rampolla	D26/88
8,714,775	B2 *	5/2014	Bracher	F21S 8/061 362/249.01
D708,391	S	7/2014	Coury	
D709,235	S *	7/2014	Chu	D26/65
D716,486	S	10/2014	Martin	
D728,145	S	4/2015	Shiqiang	
9,028,114	B2	5/2015	Smith	
D745,206	S	12/2015	Clark	
D760,420	S	6/2016	Tomlinson	
D761,991	S	7/2016	Clark	
D764,095	S	8/2016	Clark	
D768,905	S *	10/2016	Sonneman	D26/88
D768,906	S *	10/2016	Sonneman	D26/88
D773,099	S *	11/2016	Sonneman	D26/84
D774,239	S	12/2016	Pardo	
D783,197	S	4/2017	Arndt	
D786,481	S *	5/2017	Wiedemer	D26/81
9,644,820	B2	5/2017	Clark	
D791,385	S *	7/2017	Sonneman	D26/84
D791,401	S *	7/2017	Sonneman	D26/152
D792,006	S *	7/2017	Sonneman	D26/88
D792,633	S *	7/2017	Sonneman	D26/84
D797,977	S *	9/2017	Farzan	D26/74
D797,982	S *	9/2017	Sonneman	D26/88
2001/0046621	A1 *	11/2001	Colli, Jr.	H01M 2/32 429/65
2002/0071281	A1	6/2002	Dickson	
2004/0027830	A1 *	2/2004	Chen	F21V 1/12 362/352
2010/0149791	A1	7/2010	McCane et al.	
2011/0170294	A1 *	7/2011	Mier-Langner	F21S 8/02 362/294
2012/0081919	A1	4/2012	Parker	
2013/0094225	A1	4/2013	Leichner	
2014/0022759	A1	1/2014	Li	
2014/0153257	A1	6/2014	Smith	
2014/0334178	A1 *	11/2014	Zharov	G09F 13/0404 362/549
2015/0300605	A1 *	10/2015	Clark	F21V 1/22 362/367
2016/0061429	A1	3/2016	Waalkes	
2016/0245488	A1 *	8/2016	Clark	F21S 2/00
2016/0281940	A1 *	9/2016	Kim	F21K 9/20
2017/0138561	A1	5/2017	Van Strander	

FOREIGN PATENT DOCUMENTS

JP	2003217332	7/2003
JP	2011159472	8/2011
KR	2020100007653	7/2010
KR	2020120007760	11/2012
WO	2013006790	1/2013
WO	2013058961	4/2013
WO	2014081621	5/2014
WO	2015073907	5/2015
WO	2015184156	12/2015

OTHER PUBLICATIONS

Light in the Box (available online Dec. 30, 2014) Retrieved from the internet Mar. 16, 2017, retrieved from the internet URL: https://www.amazon.com/LightInTheBox-RingHome-Chandeliers-Lighting-110-120V/dp/B00RL1N79W/ref=pd_bxgy_60_img_3?encoding=UTF8&pd_rd_i=B00RL1N79W&pd_rd_r=0K15VB464BCF6J7RV59C&pd_rd_w=3rhz3&pd_rd_wg=r7IJv&psc=1&refRID=0K15VB4.*

Light art (available online Oct. 21, 2013) Retrieved from the internet Mar. 16, 2017, retrieved from the internet URL: www.youtube.com (search "Lightart.com").*

Tine eye reference (available online Oct. 8, 2014) Retrieved from the internet Mar. 23, 2017, retrieved from the internet URL: <https://tineye.com/search/cb9bd08581564e1b2247fa8b78f73b92f57cc422/> Refernce internet site URL: <https://www.architonic.com/en/product/henge-light-ring-medium/1149533>.*

Ring shade 32 LED Pendant (available online Mar. 28, 2015) Retrieved from the internet Apr. 8, 2017, retrieved from the internet URL: <https://web-beta.archive.org/web/20150328234600/http://www.sonnemanawayoflight.com/ringshade32Iedpendant-p-922.html>.*

Notice of Allowance for U.S. Appl. No. 15/076,852 dated Oct. 11, 2017.

Non-Final Office Action for U.S. Appl. No. 29/530,073 dated Sep. 1, 2017.

Office Action for U.S. Appl. No. 29/560,681 dated Jun. 15, 2017.

Modern Square LED Chandelier Lighting (available online Sep. 22, 2015) Retrieved from the internet Jun. 2, 2017, retrieved from the internet URL: https://www.amazon.com/VONN-VMC31620AL-Chandelier-Lighting-Adjustable/dp/B0150G45GE/ref=sr_1_2?ie=UTF8&qid=1498172914&sr=8-2&keywords=Modern+Square+LED+Chandelier+Lighting.

Modern Two-Tier LED Chandelier (available online Sep. 22, 2015) Retrieved from the internet Jun. 2, 2017, retrieved from the internet URL: https://www.amazon.com/VONN-VMC31710SW-Two-Tier-Chandelier-Adjustable/dp/B0150G4J8S/ref=pd_sbs_60_2?encoding=UTF8&pd_rd_i=B0150G4J8S&pd_rd_r=9GZ57EM9VFSJZMQW1ERC&pd_rd_w=XsCRS&pd_rd_wg=VbWDy&psc=1&refRID=9GZ7CM9VFSJZ.

Astro D-Light wall Light (available online) Retrieved from the internet Jun. 2, 2017, retrieved from the internet URL: <https://www.lovelights.co.uk/led-lighting-G17/astro-d-light-led-wall-light-p22295>.

Office Action in U.S. Appl. No. 15/076,852 dated Jun. 2, 2017.

International Search Report & Written Opinion for application No. PCT/US14/65816 dated Feb. 19, 2015.

International Search Report & Written Opinion for application No. PCT/US2015/033014 dated Sep. 8, 2015.

International Search Report & Written Opinion for application No. PCT/US2013/070236 dated Mar. 11, 2014.

Office Action in U.S. Appl. No. 14/767,890 dated May 12, 2017.

Office Action in U.S. Appl. No. 14/646,232 dated Dec. 15, 2016.

Ex Parte Quayle Action for U.S. Appl. No. 29/481,765 dated May 9, 2016.

Ex Parte Quayle Action for U.S. Appl. No. 29/545,539 dated May 23, 2016.

Office Action for U.S. Appl. No. 29/481,765 dated Oct. 16, 2015.

Requirement for Restriction for U.S. Appl. No. 29/530,073 dated May 30, 2017.

Office Action for U.S. Appl. No. 14/646,232 dated May 2, 2016.

* cited by examiner

Primary Examiner — Garth Rademaker
Assistant Examiner — Richard Kearney
 (74) *Attorney, Agent, or Firm* — Workman Nydegger

(57) CLAIM

The ornamental design for a light fixture, as shown and described.

DESCRIPTION

FIG. 1 is a top perspective view of a light fixture;
 FIG. 2 is a bottom perspective view thereof;
 FIG. 3 is a top plan view thereof;
 FIG. 4 is a bottom plan view thereof; and,
 FIG. 5 is an elevation view thereof.

The broken lines depicted in FIGS. 1-6 illustrate portions of the light fixture that form no part of the claimed design.

1 Claim, 5 Drawing Sheets

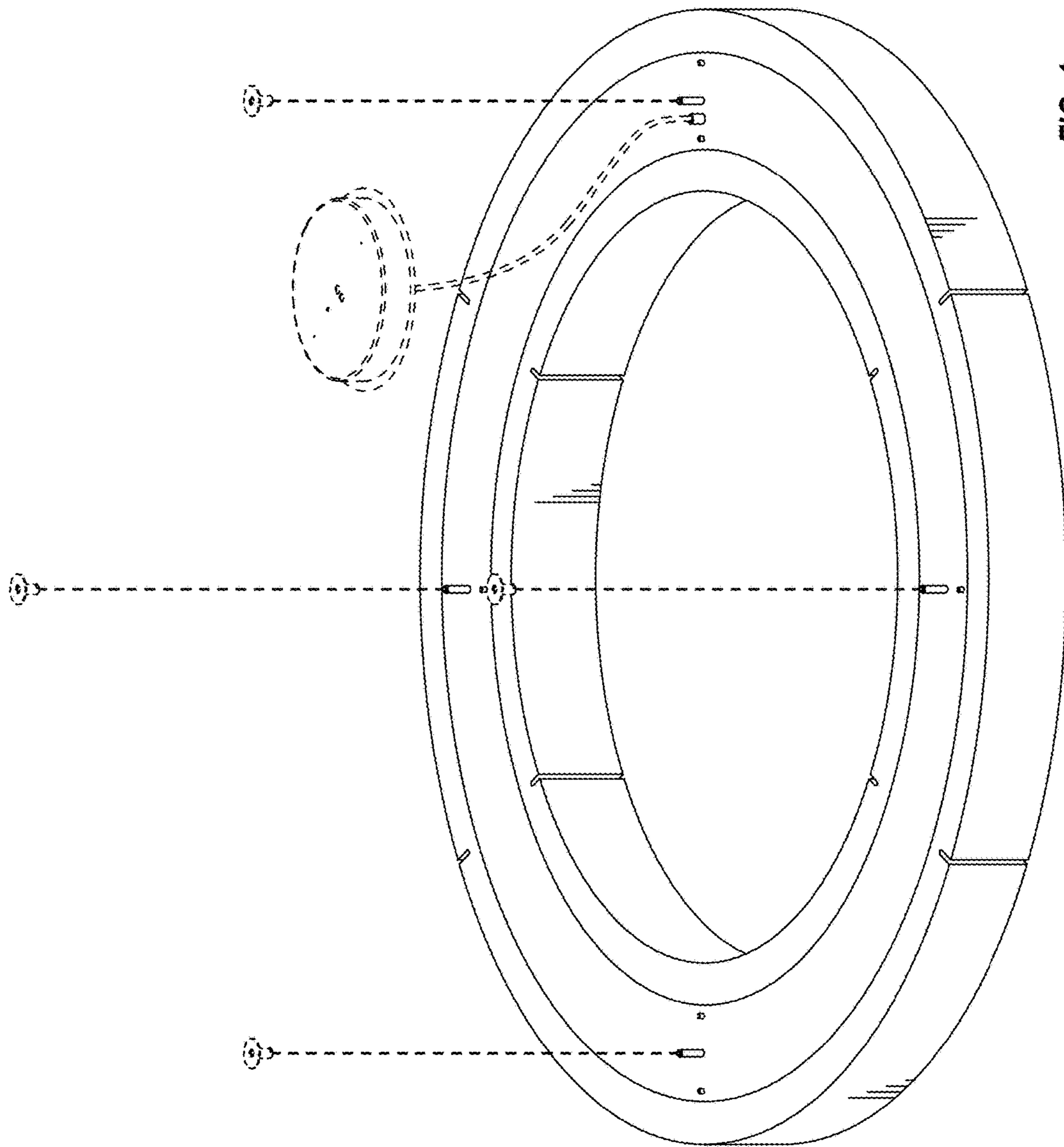


FIG. 1

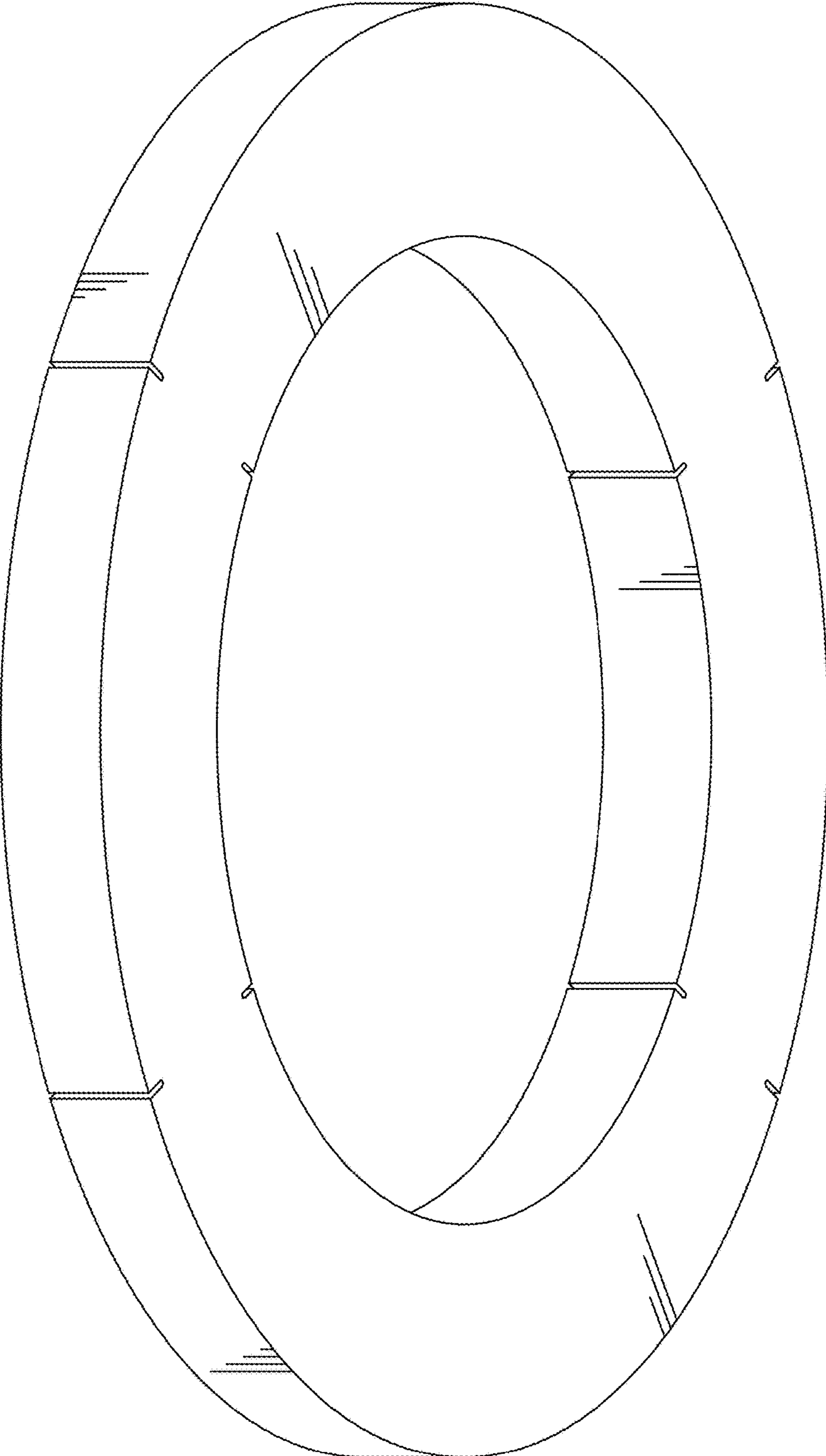


FIG. 2

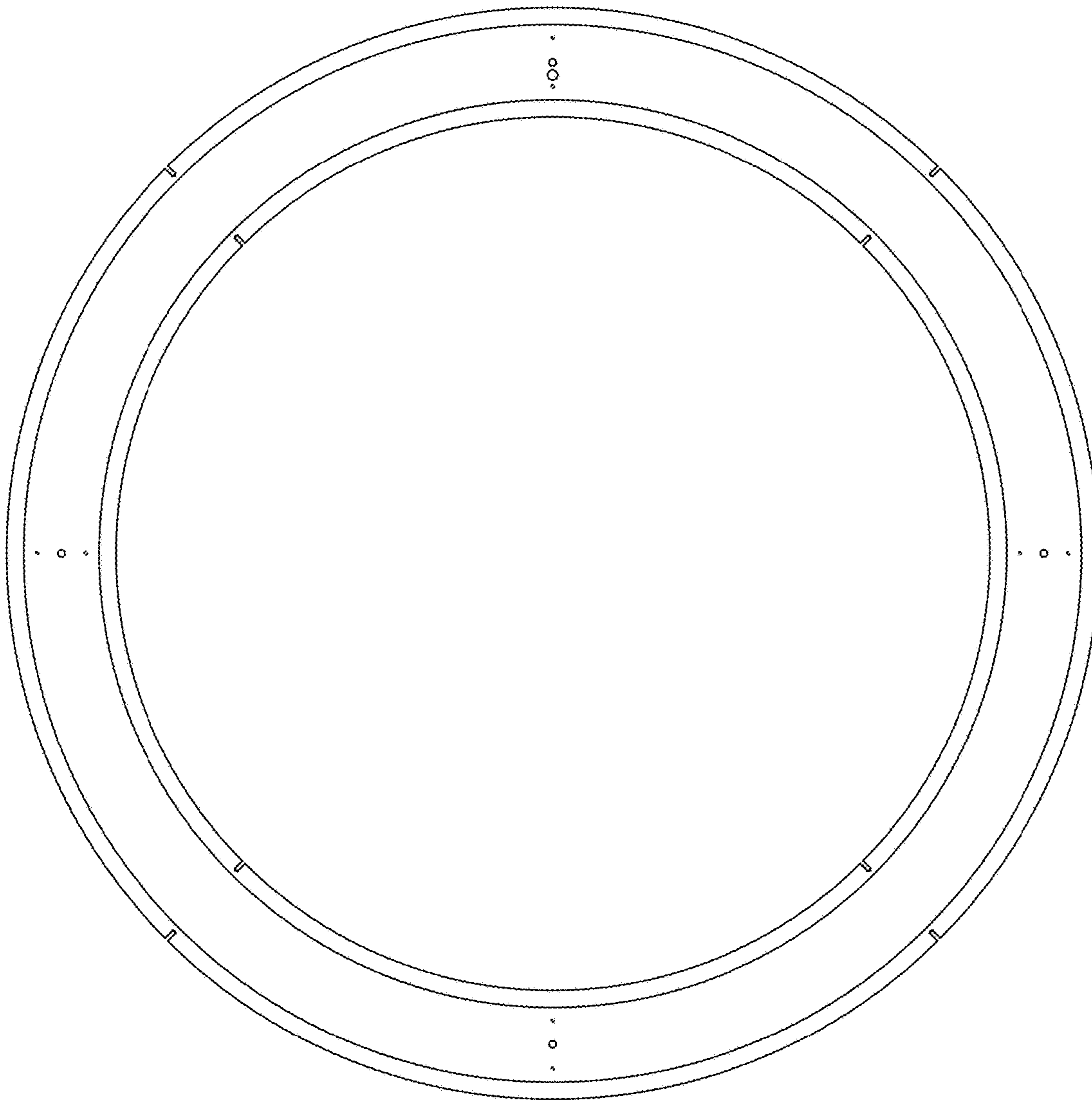


FIG. 3

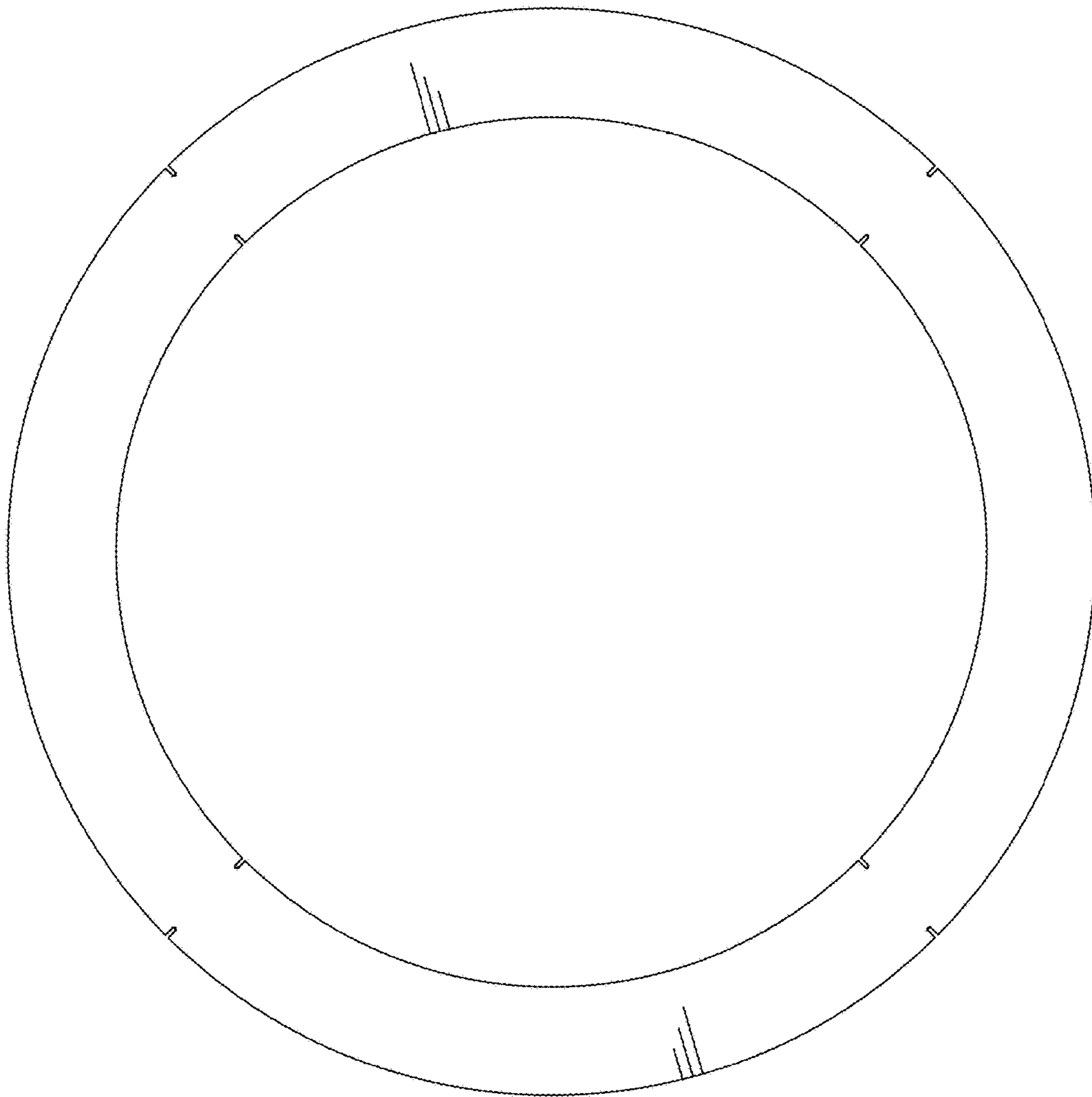


FIG. 4

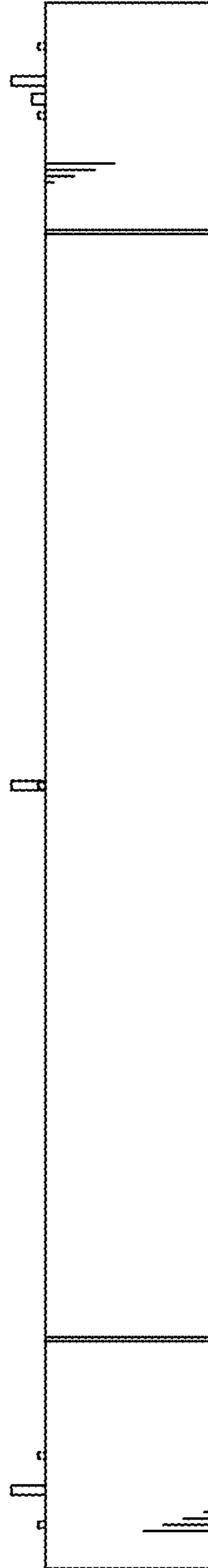


FIG. 5