



US00D806926S

(12) **United States Design Patent**
Goetz-Schaefer

(10) **Patent No.:** **US D806,926 S**

(45) **Date of Patent:** **** Jan. 2, 2018**

(54) **LUMINAIRE**

(71) Applicant: **ZUMTOBEL LIGHTING GMBH,**
Lemgo (DE)

(72) Inventor: **Katharina Goetz-Schaefer,** Bad
Salzufflen (DE)

(73) Assignee: **ZUMTOBEL LIGHTING GMBH,**
Lemgo (DE)

(**) Term: **15 Years**

(21) Appl. No.: **29/559,061**

(22) Filed: **Mar. 24, 2016**

(30) **Foreign Application Priority Data**

Sep. 24, 2015 (EM) 002 778 613

(51) **LOC (11) Cl.** **26-04**

(52) **U.S. Cl.**
USPC **D26/76**

(58) **Field of Classification Search**
USPC D26/2, 3, 26, 27, 40, 42, 43, 60, 70, 72,
D26/74-83, 88, 89, 91, 104, 106, 113,
D26/119, 120, 122, 137, 135, 152, 153
CPC F21S 2/00; F21S 4/20; F21S 8/00; F21S
8/02; F21S 8/031; F21S 8/035; F21S
8/037; F21S 9/00; F21V 21/005; F21V
33/00

See application file for complete search history.

(56) **References Cited**

U.S. PATENT DOCUMENTS

D205,302 S * 7/1966 Wince D26/71
5,226,724 A * 7/1993 Kanarek F21S 2/00
362/151
6,431,726 B1 * 8/2002 Barton F21V 17/007
362/217.05
D520,667 S * 5/2006 Jae-Sung D26/25
D521,675 S * 5/2006 Chen D26/76

D602,189 S * 10/2009 Zambelli D26/76
D667,157 S * 9/2012 Ferguson D26/76
D667,585 S * 9/2012 Yamazaki D26/80
D709,636 S * 7/2014 Murata D26/72
D766,487 S * 9/2016 Cai D26/76
2015/0354795 A1 * 12/2015 Ladstaetter F21S 2/00
362/217.05
2016/0327252 A1 * 11/2016 Ray F21V 21/008
2017/0051894 A1 * 2/2017 Farrell F21V 15/015

OTHER PUBLICATIONS

Slot light infinity (available online Sep. 29, 2015) Retrieved from
the internet Mar. 3, 2017, retrieved from the internet URL:
<https://www.zumtobel.com/gb-en/products/slotlightinfinity.html>.*

* cited by examiner

Primary Examiner — Garth Rademaker

Assistant Examiner — Richard Kearney

(74) *Attorney, Agent, or Firm* — Scully Scott Murphy and
Presser; Frank Digiglio

(57) **CLAIM**

The ornamental design for a luminaire, as shown and
described.

DESCRIPTION

FIG. 1 shows a back, bottom, right side perspective view of
a luminaire;

FIG. 2 shows a back, bottom, left side perspective view
thereof;

FIG. 3 shows a back elevation view thereof;

FIG. 4 shows a front elevation view thereof;

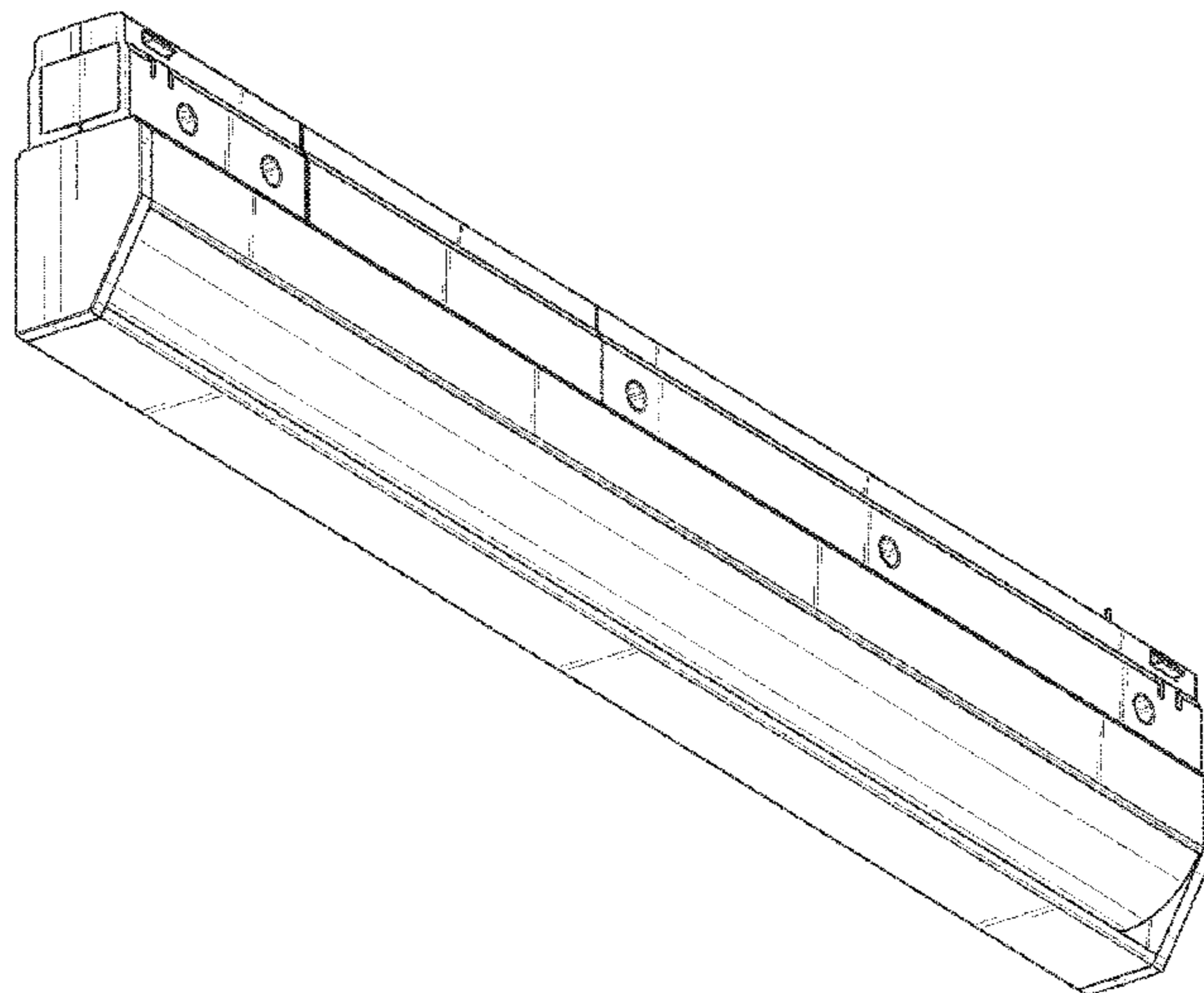
FIG. 5 shows a side elevation view thereof;

FIG. 6 shows a bottom plan view thereof; and,

FIG. 7 shows a top plan view thereof.

The broken line showing of a luminaire is included for the
purpose of illustrating portions of the article that form no
part of the claimed design.

1 Claim, 7 Drawing Sheets



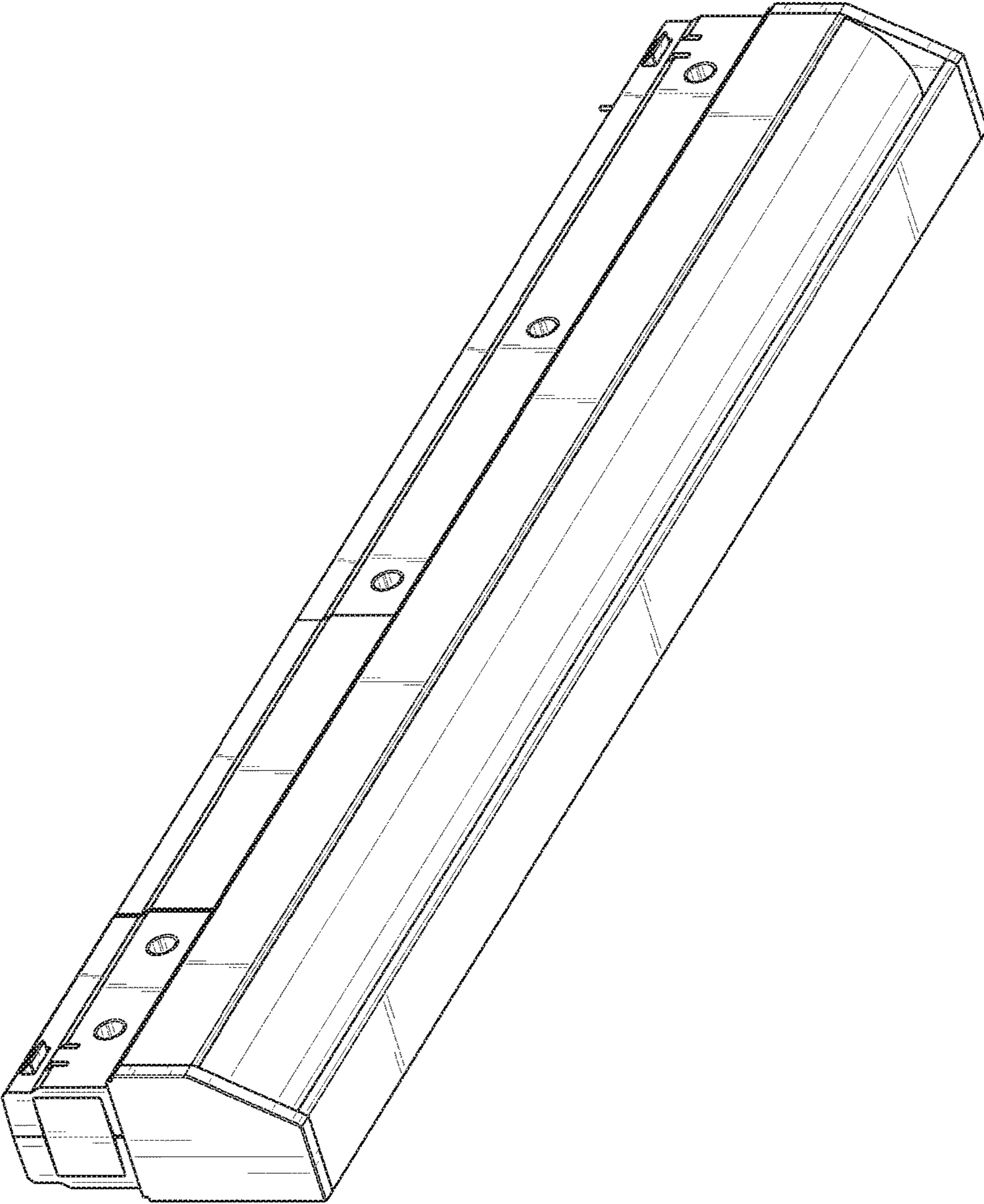


FIG. 1

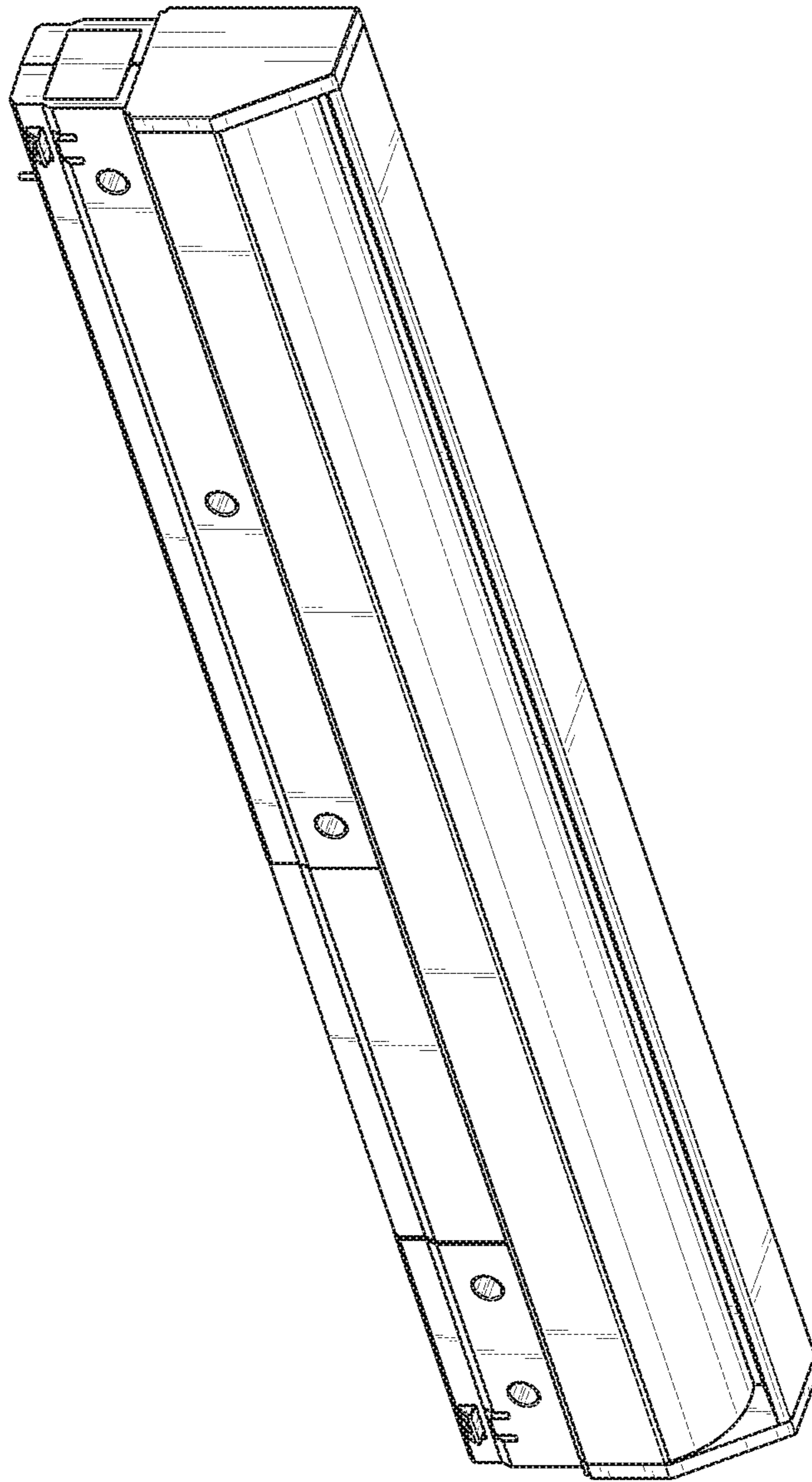


FIG. 2

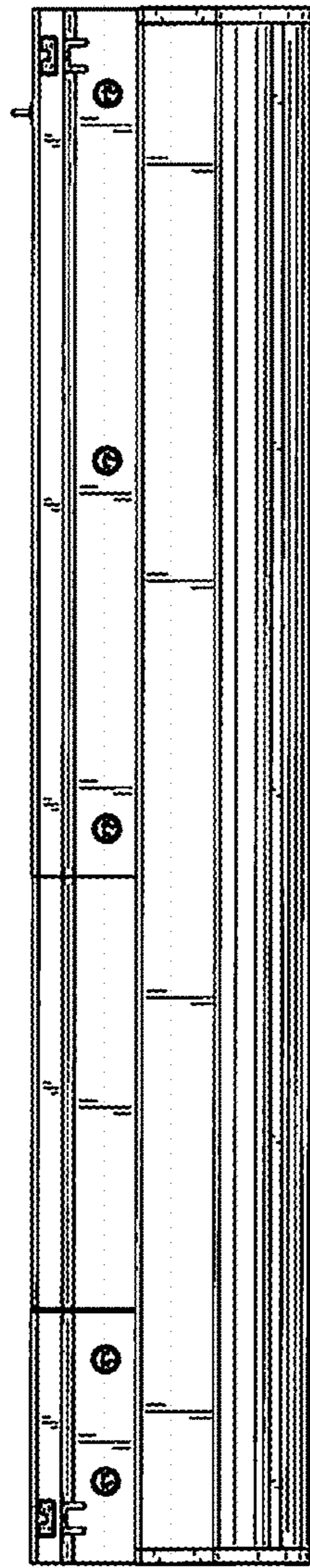


FIG. 3

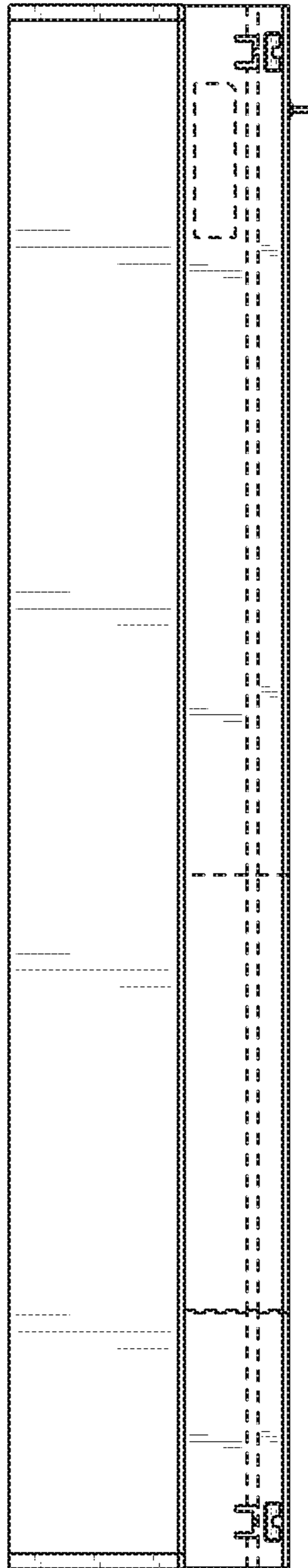


FIG. 4

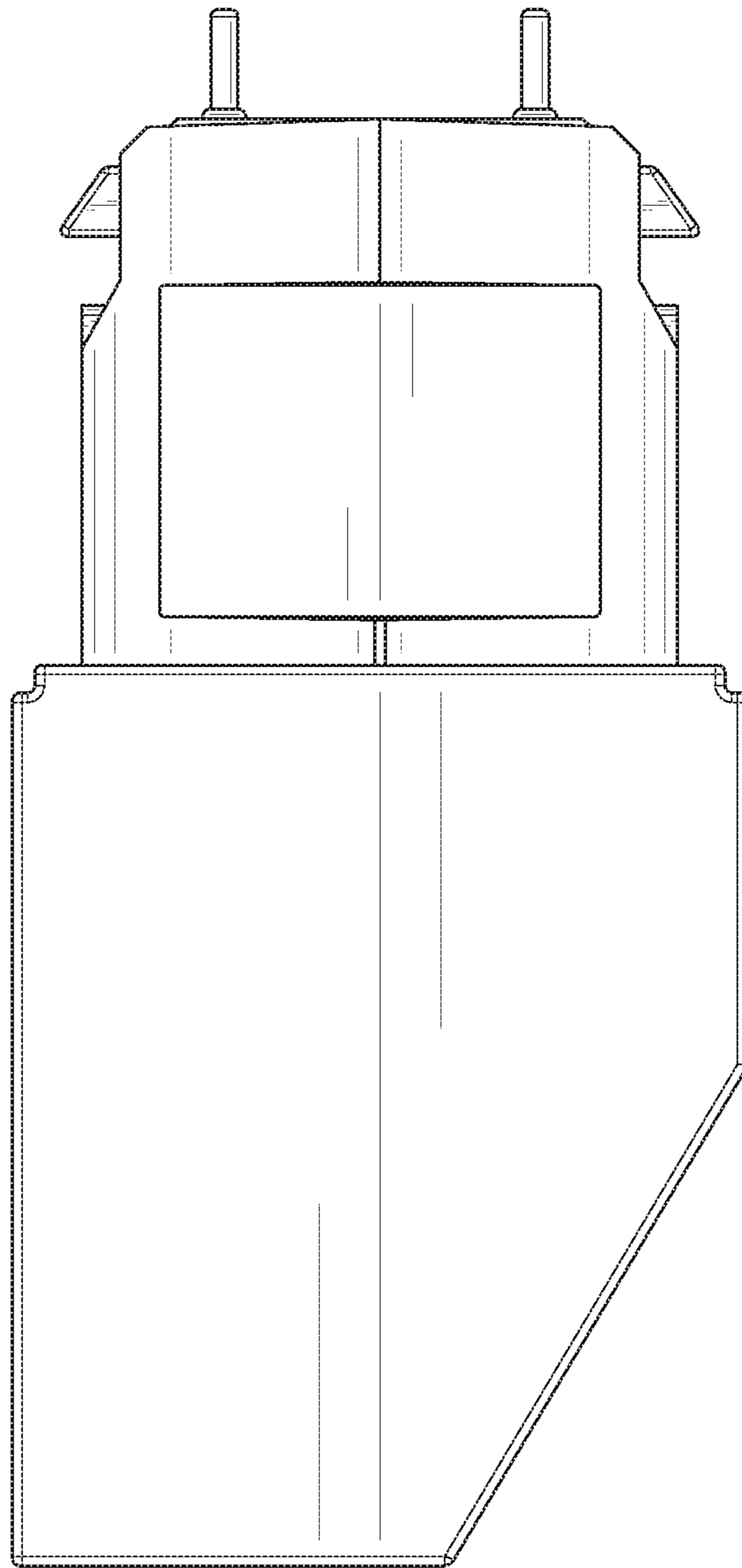


FIG. 5

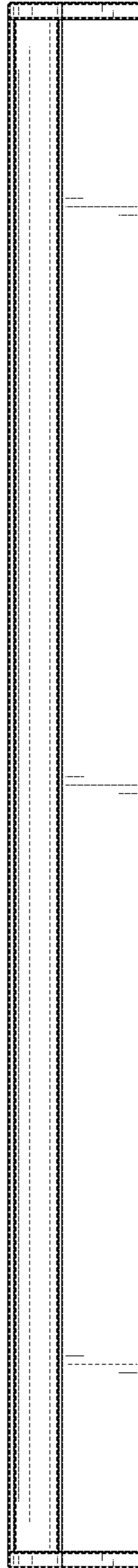


FIG. 6

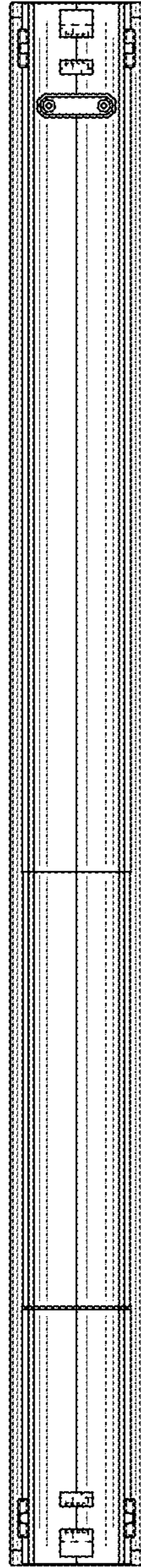


FIG. 7