



US00D806925S

(12) **United States Design Patent**
Hirano et al.

(10) **Patent No.:** **US D806,925 S**

(45) **Date of Patent:** **** Jan. 2, 2018**

(54) **SPOT LIGHT**

D633,241 S * 2/2011 Piano D26/63
D694,925 S * 12/2013 Fukasawa D26/63
D700,727 S * 3/2014 Fukasawa D26/63

(71) Applicant: **MINEBEA CO., LTD.**, Nagano (JP)

* cited by examiner

(72) Inventors: **Tetsuyuki Hirano**, Setagaya (JP);
Masayoshi Hosogai, Fuchu (JP)

Primary Examiner — Brian N. Vinson

(73) Assignee: **MINEBEA MITSUMI INC.**, Nagano (JP)

(74) *Attorney, Agent, or Firm* — Pearne & Gordon LLP

(**) Term: **15 Years**

(57) **CLAIM**

The ornamental design for a spot light, as shown and described.

(21) Appl. No.: **29/566,967**

DESCRIPTION

(22) Filed: **Jun. 3, 2016**

FIG. 1 is a front, top and left side perspective view of a spot light showing our new design;

(30) **Foreign Application Priority Data**

Dec. 8, 2015 (JP) 2015-027402

FIG. 2 is a rear, bottom and left side perspective view thereof;

(51) **LOC (11) Cl.** **26-03**

FIG. 3 is a front elevational view thereof;

(52) **U.S. Cl.**
USPC **D26/65**

FIG. 4 is a rear elevational view thereof;

(58) **Field of Classification Search**
USPC D26/1, 24, 61, 63, 65, 85, 92
CPC F21V 21/14; F21V 15/01; F21V 14/02;
F21V 21/30; F21V 21/00; F21V 14/00;
F21S 8/00; F21S 8/003; F21S 8/043;
F21Y 2105/001

FIG. 5 is a right side elevational view thereof;

See application file for complete search history.

FIG. 6 is a left side elevational view thereof;

(56) **References Cited**

U.S. PATENT DOCUMENTS

D326,331 S * 5/1992 Riccadelli D26/63
D331,294 S * 11/1992 Wereley D26/63
D552,779 S * 10/2007 Starck D26/63

FIG. 7 is a top plan view thereof;

FIG. 8 is a bottom plan view thereof;

FIG. 9 is another front, top and left side perspective view thereof showing a state in which a lens portion is retreated;

FIG. 10 is another front, top and left side perspective view thereof showing a state in which a lens portion is advanced; and,

FIG. 11 is a perspective view of the spot light attached to a rail installed on a ceiling and showing a state in which an arm and lighting portion of the design are rotated.

The broken lines in FIG. 11 depict environmental subject matter only and the broken lines form no part of the claimed design.

1 Claim, 7 Drawing Sheets

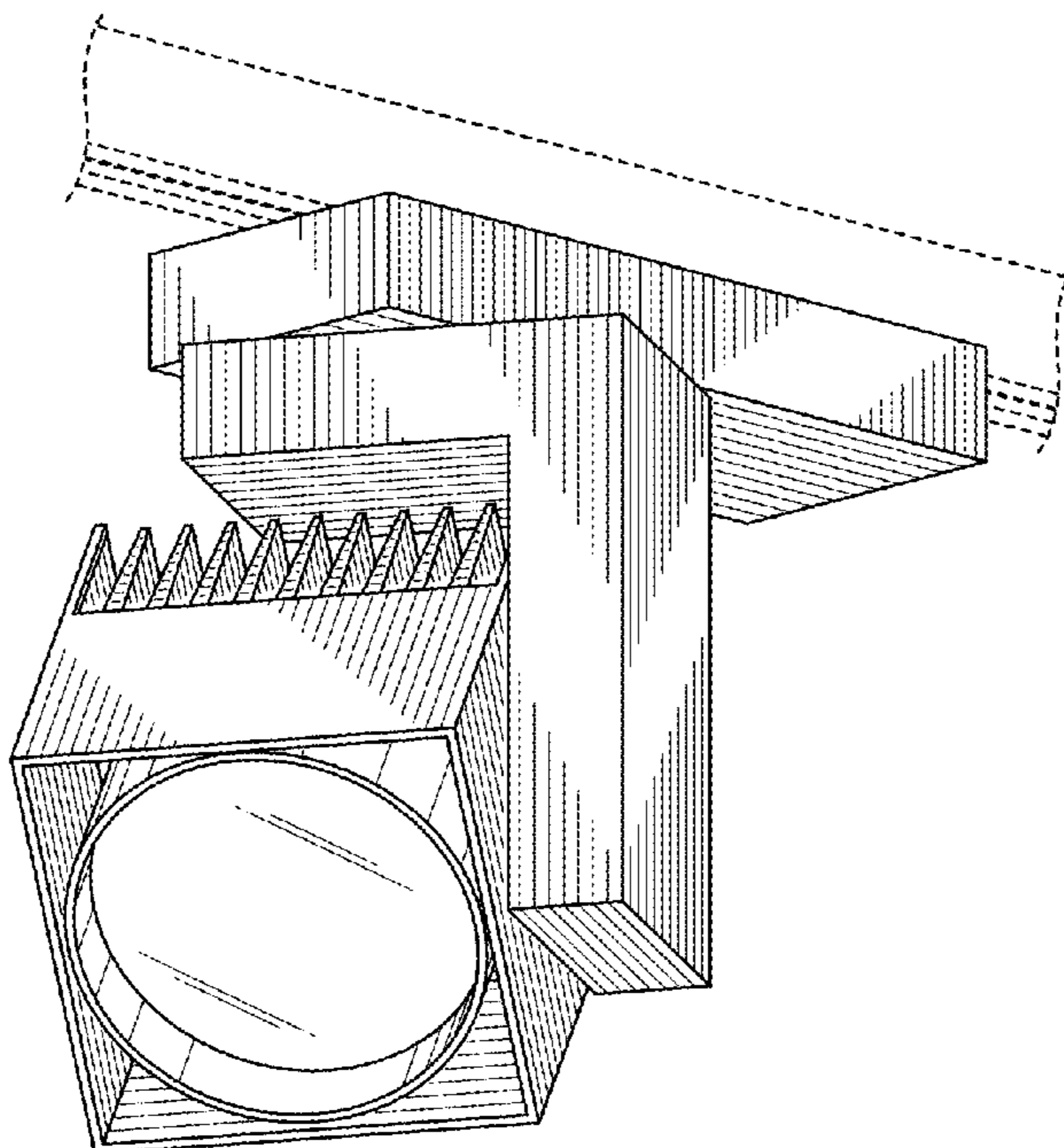


FIG. 1

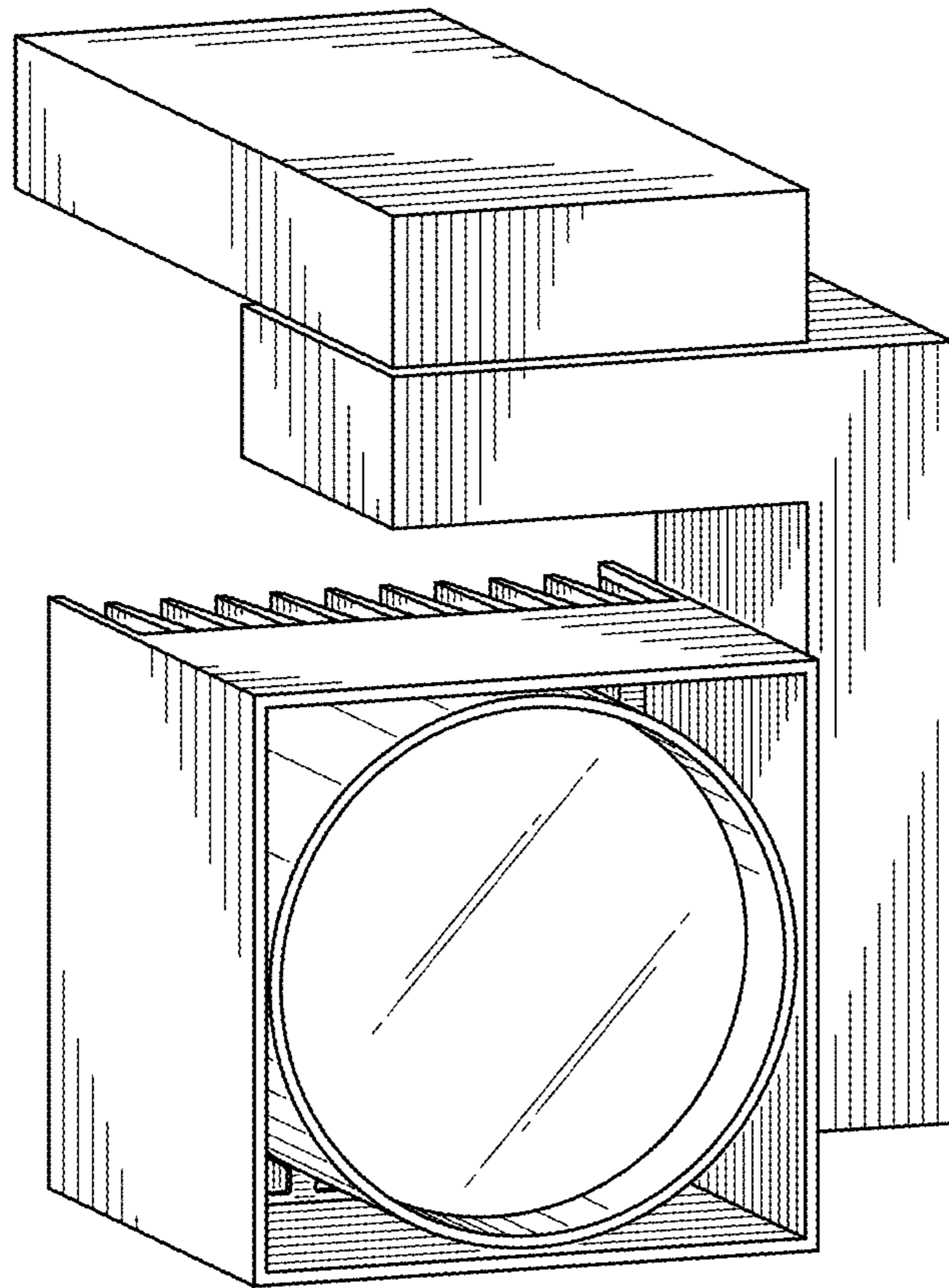


FIG. 2

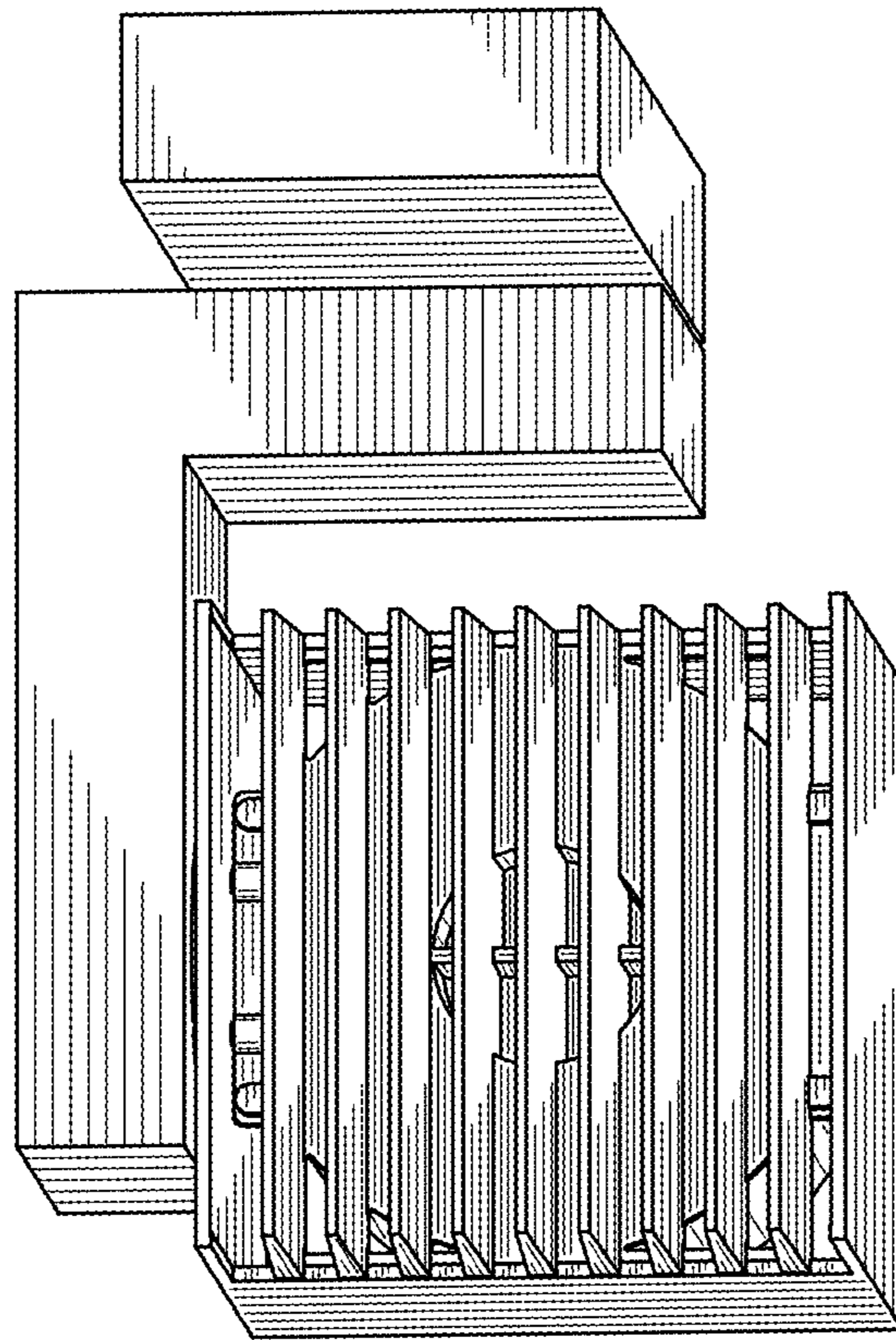


FIG. 3

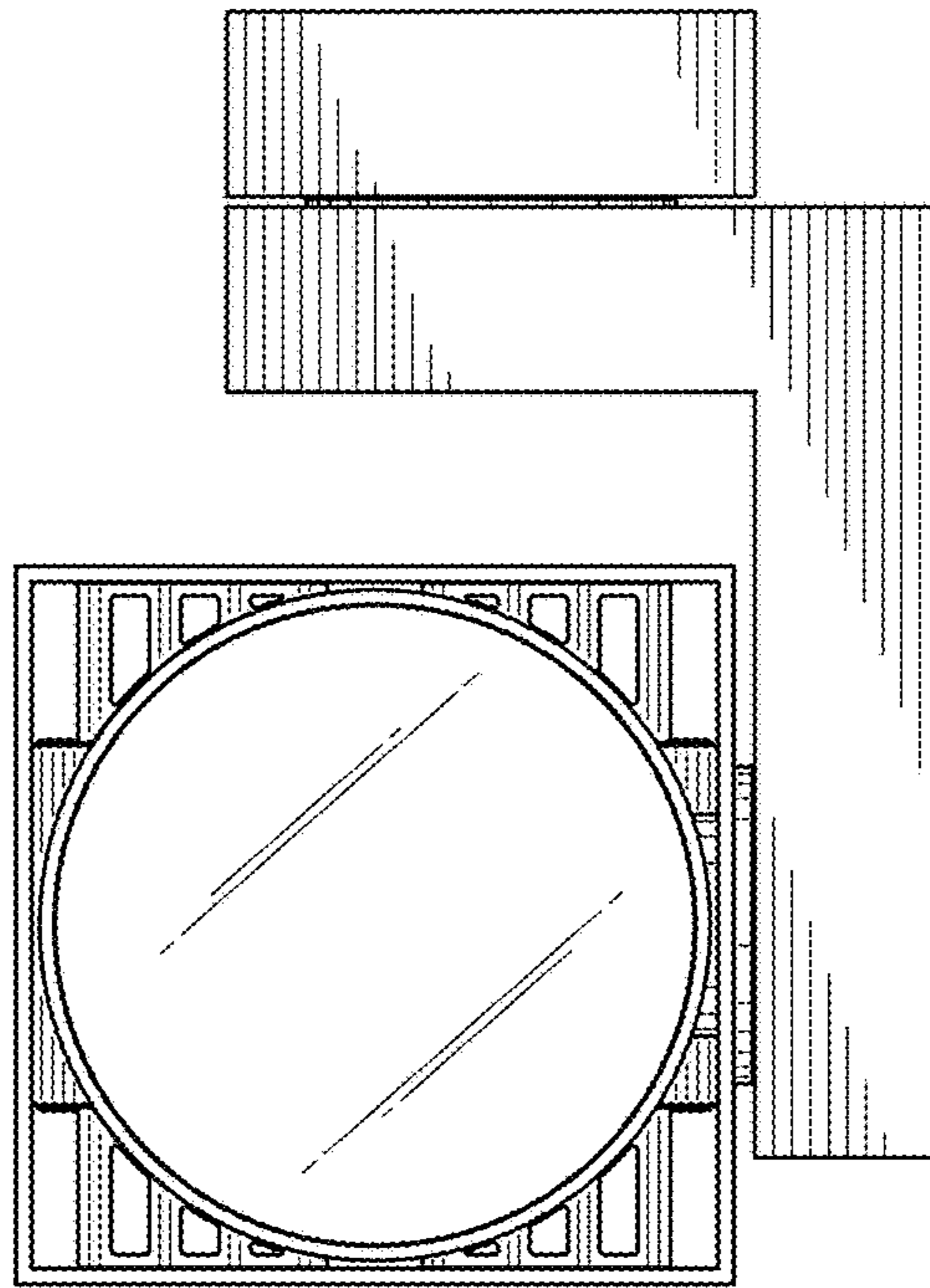


FIG. 4

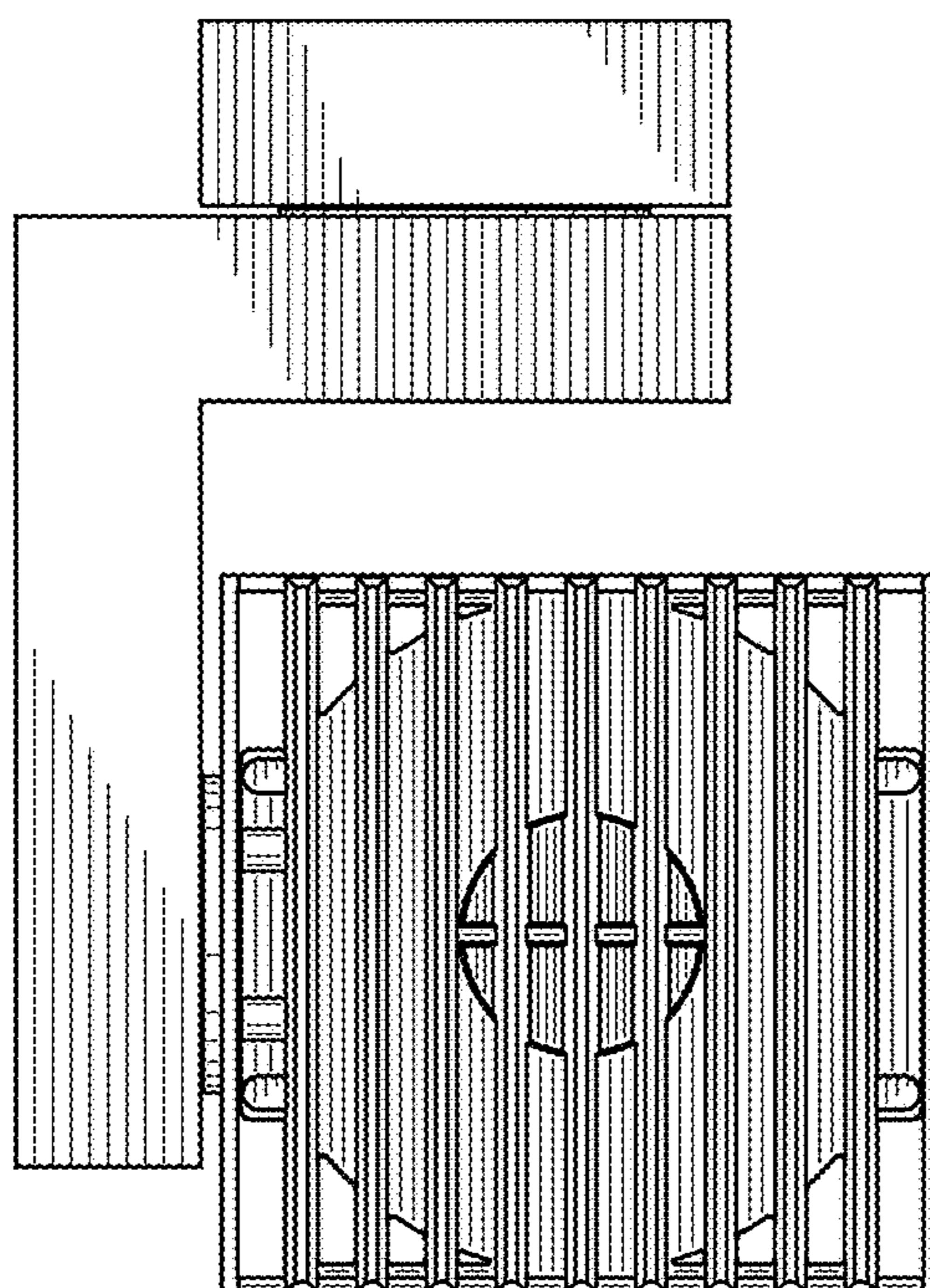


FIG. 5

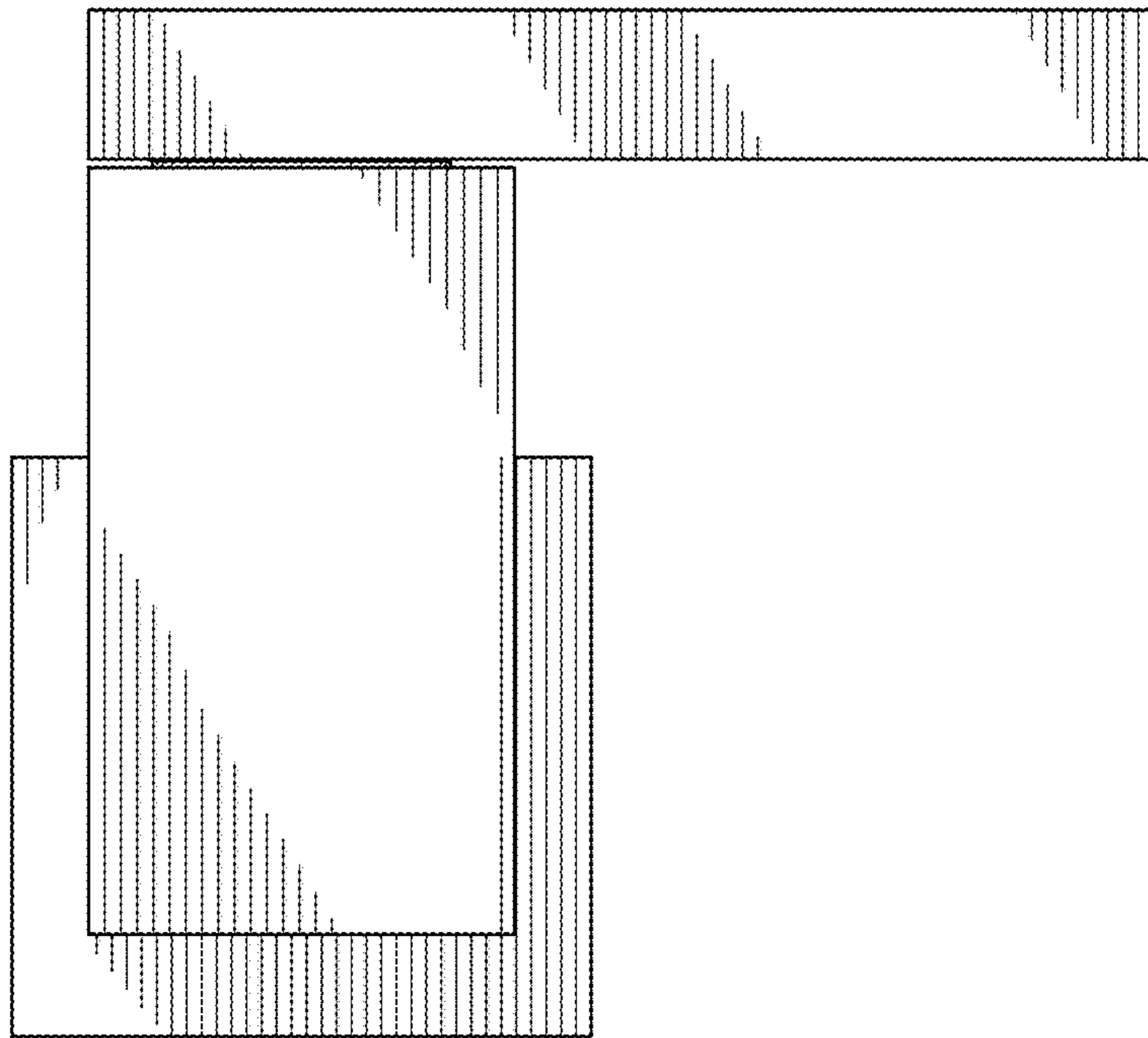


FIG. 6

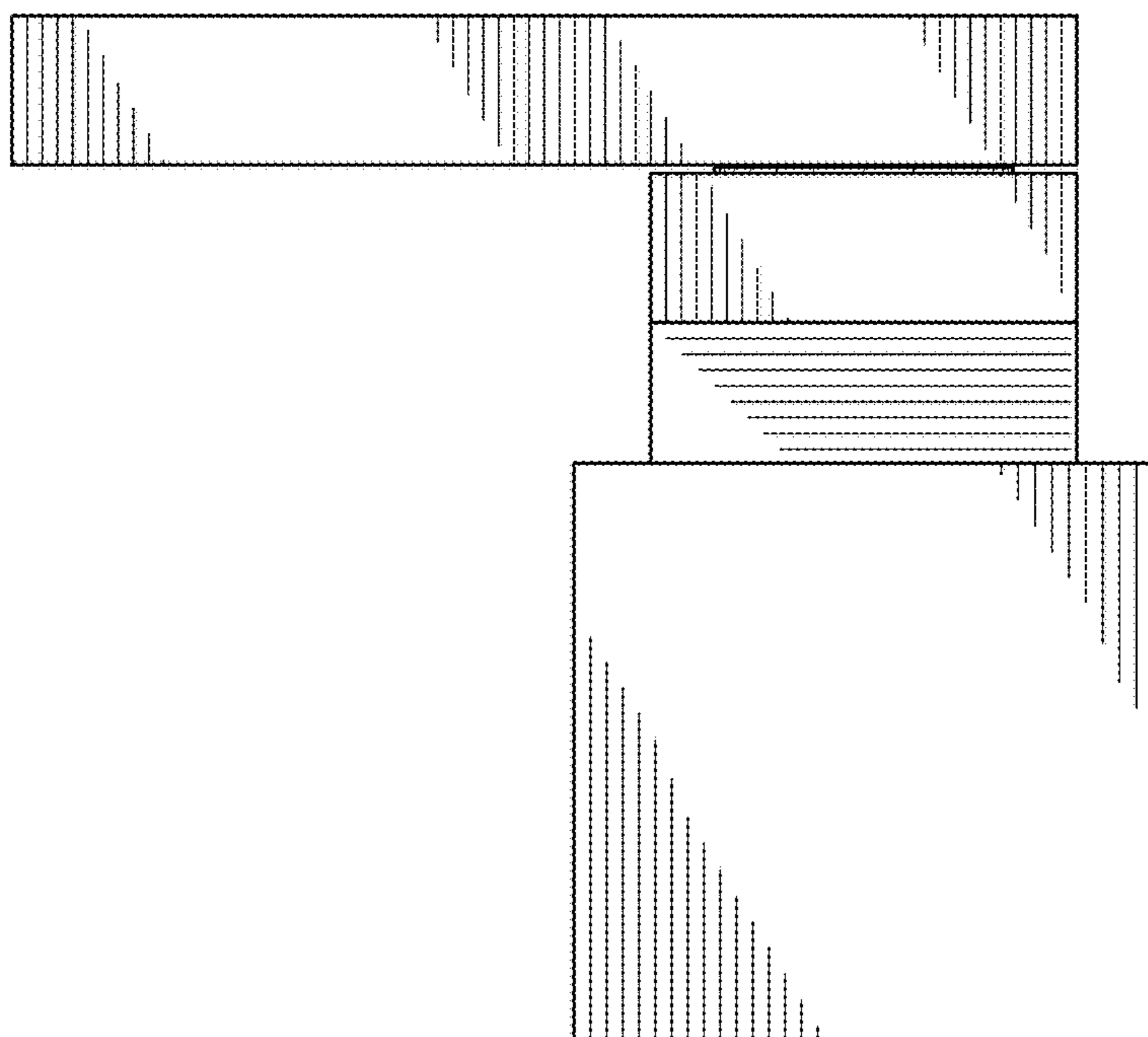


FIG. 7

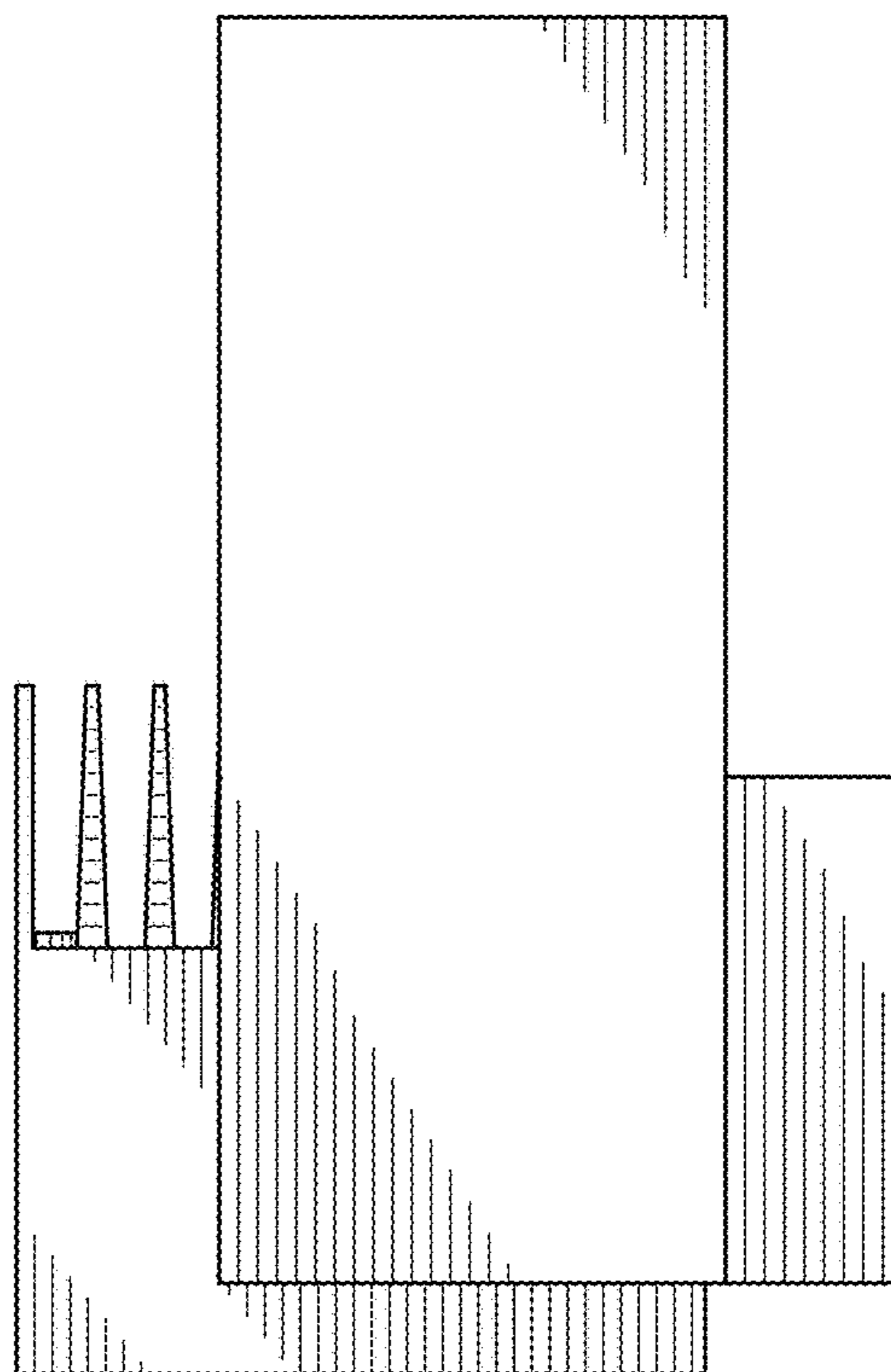


FIG. 8

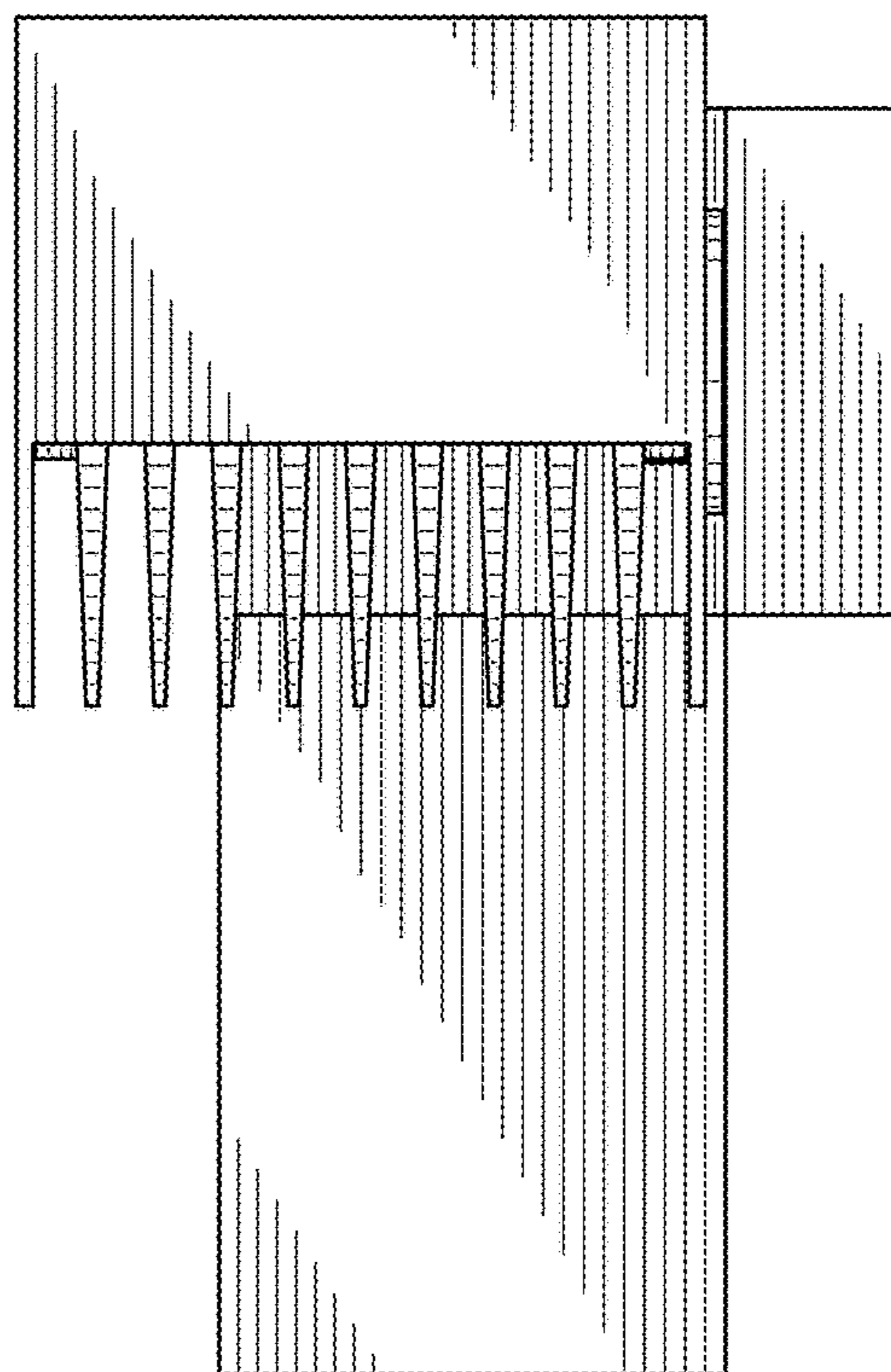


FIG. 9

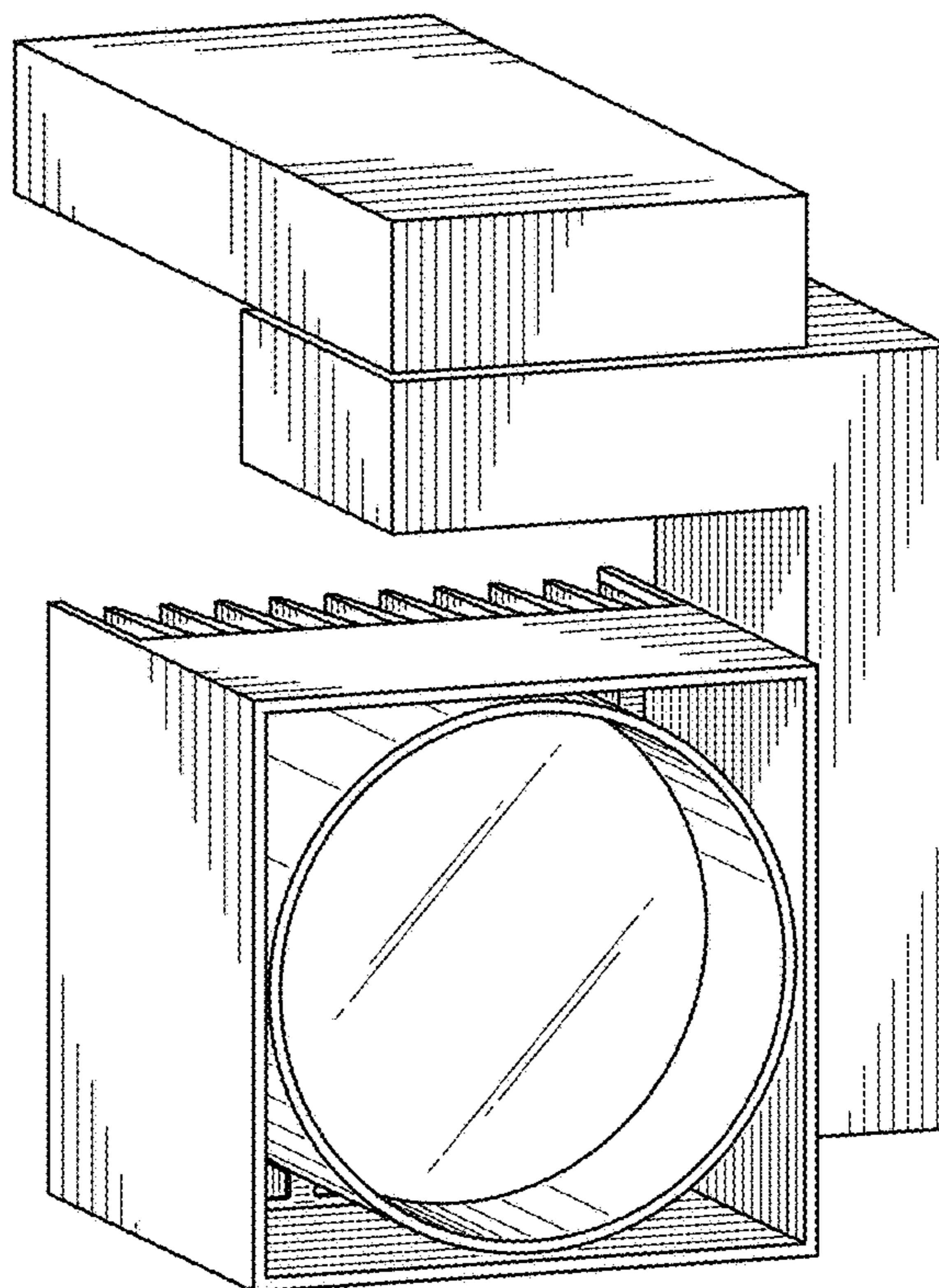


FIG. 10

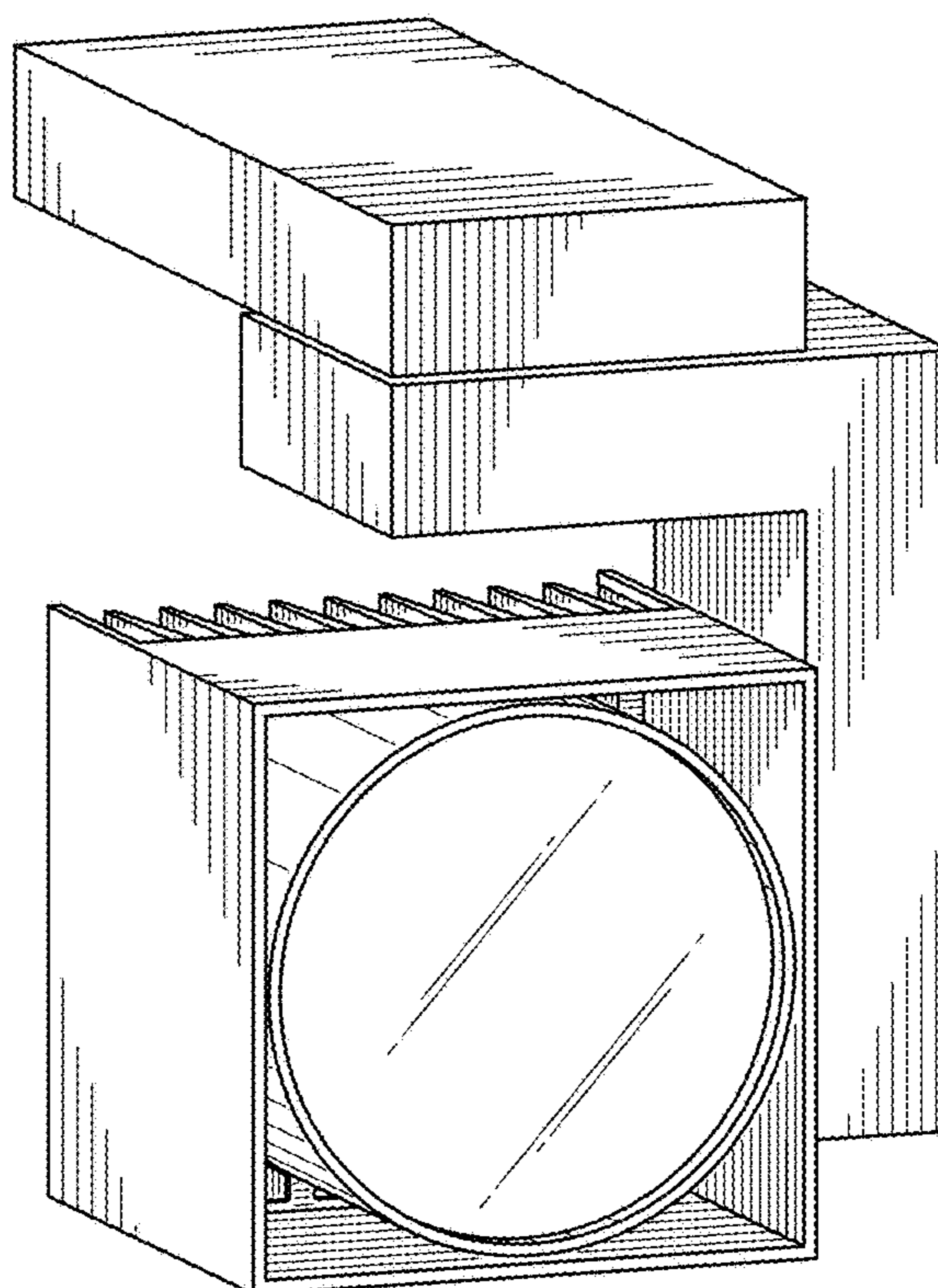


FIG. 11

