



US00D806923S

(12) **United States Design Patent**
Koshiba

(10) **Patent No.:** **US D806,923 S**

(45) **Date of Patent:** **** Jan. 2, 2018**

(54) **WORK LIGHT**

(71) Applicant: **GENTOS CO., LTD.**, Tokyo (JP)

(72) Inventor: **Keita Koshiba**, Tokyo (JP)

(73) Assignee: **GENTOS CO., LTD.**, Tokyo (JP)

(**) Term: **15 Years**

(21) Appl. No.: **29/566,877**

(22) Filed: **Jun. 3, 2016**

(30) **Foreign Application Priority Data**

Apr. 12, 2016 (JP) 2016-008060

(51) **LOC (11) Cl.** **26-02**

(52) **U.S. Cl.**
USPC **D26/42**

(58) **Field of Classification Search**
USPC D26/37, 38, 40, 42, 44, 46, 51
CPC F21L 2003/00; F21L 4/00; F21L 4/005;
F21L 4/02; F21L 4/025; F21L 4/027;
F21L 4/04; F21L 4/08; F21L 2005/00;
F21L 7/00; F21L 11/00; F21L 13/00;
F21L 13/04; F21L 13/08; F21L 14/02;
F21L 17/00; F21L 19/00

See application file for complete search history.

(56) **References Cited**

U.S. PATENT DOCUMENTS

D311,067 S * 10/1990 Chabria D26/46
D485,364 S * 1/2004 Lee D24/217

D502,276 S * 2/2005 Kovacik D26/44
D604,435 S * 11/2009 Kingston D26/37
D684,283 S * 6/2013 Zhou D26/49
D694,446 S * 11/2013 Zhou D26/42
D698,056 S * 1/2014 Forbes D26/42
D698,959 S * 2/2014 Shen D26/46
D703,357 S * 4/2014 Grandadam D26/44
D731,687 S * 6/2015 Haws D26/46
D752,792 S * 3/2016 Grandadam D26/42
D757,971 S * 5/2016 Kovacik D26/37
D765,898 S * 9/2016 Caito D26/42

* cited by examiner

Primary Examiner — Lakiya Rogers

Assistant Examiner — Carissa C Fitts

(74) *Attorney, Agent, or Firm* — Im IP Law; C. Andrew Im

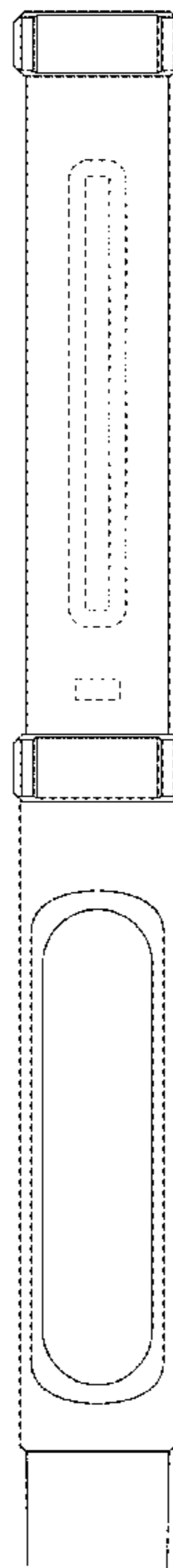
(57) **CLAIM**

The ornamental design for a work light, as shown and described.

DESCRIPTION

FIG. 1 is a front view of a work light showing my new design;
FIG. 2 is a rear view of the work light thereof;
FIG. 3 is a top view of the work light thereof;
FIG. 4 is a bottom view of the work light thereof;
FIG. 5 is a left side view of the work light thereof; and,
FIG. 6 is a right side view of the work light thereof.
The broken lines show portions of the article not claimed and forms no part of the claimed design.

1 Claim, 6 Drawing Sheets



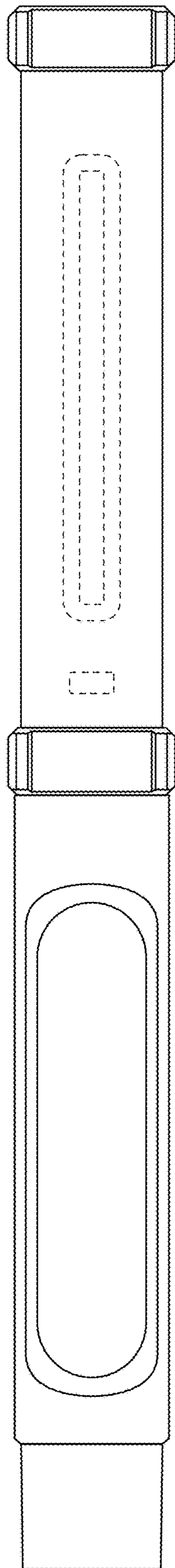


FIG. 1

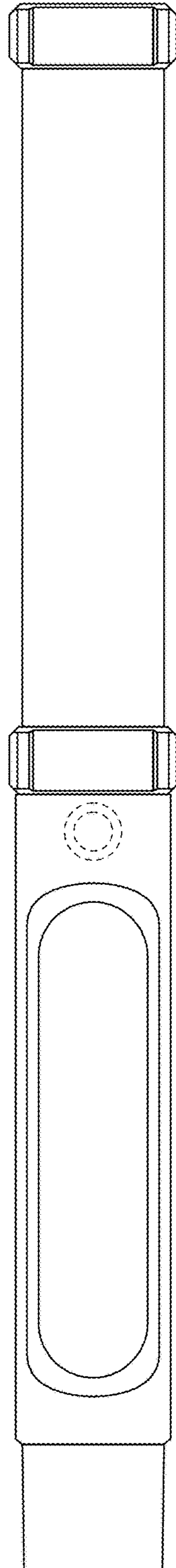


FIG. 2

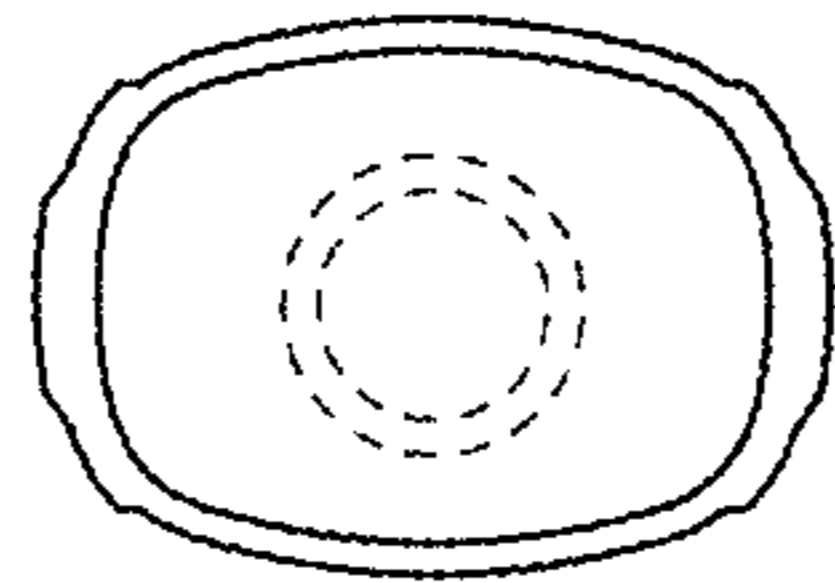


FIG. 3

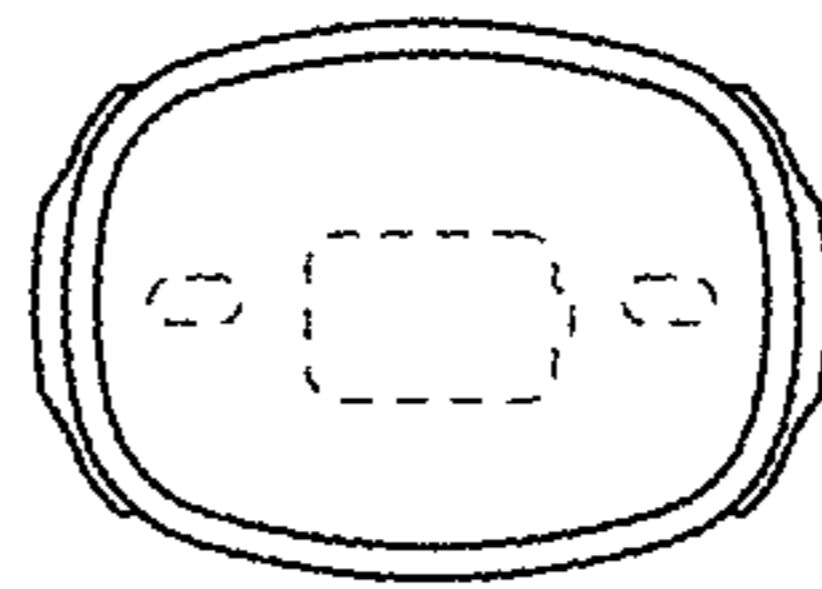


FIG. 4

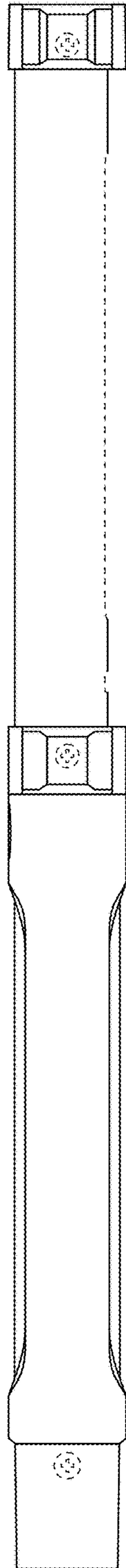


FIG. 5

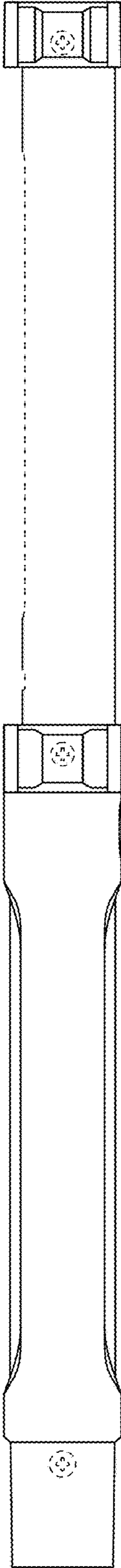


FIG. 6