



US00D806922S

(12) **United States Design Patent**
Pedersen

(10) **Patent No.:** **US D806,922 S**
(45) **Date of Patent:** **** Jan. 2, 2018**

- (54) **PATIO LANTERN**
- (71) Applicant: **GLOSTER FURNITURE LIMITED,**
Bristol (GB)
- (72) Inventor: **Henrik Pedersen, Aarhus C (DK)**
- (73) Assignee: **GLOSTER FURNITURE LIMITED,**
Bristol (GB)
- (**) Term: **15 Years**
- (21) Appl. No.: **29/505,791**

D452,029 S *	12/2001	Chen	D26/72
D506,017 S *	6/2005	Chen	D26/40
D537,967 S *	3/2007	Lo	D26/40
D548,865 S *	8/2007	Meoli	D26/40
D612,084 S *	3/2010	Hillard	D26/40
D616,579 S *	5/2010	Lloyd	D26/44
D617,480 S *	6/2010	DeBrunner	D26/40
D627,090 S *	11/2010	Sanoner	D26/40
D687,591 S *	8/2013	Chilton	D26/37
D706,968 S *	6/2014	McDonough	D26/41
D718,598 S *	12/2014	Moreau	D8/71
D728,835 S *	5/2015	Metlen	D26/41
D741,530 S *	10/2015	Snyder	D26/41
D773,704 S *	12/2016	Pardo	D26/41

* cited by examiner

- (22) Filed: **Feb. 10, 2016**
- (51) **LOC (11) Cl.** **26-02**
- (52) **U.S. Cl.**
USPC **D26/41**
- (58) **Field of Classification Search**
USPC D26/37, 38, 40, 41, 42, 46, 50, 51, 71,
D26/72
CPC F21L 2003/00; F21L 4/00; F21L 4/005;
F21L 4/02; F21L 4/025; F21L 4/027;
F21L 4/04; F21L 4/08; F21L 2005/00;
F21L 7/00; F21L 11/00; F21L 13/00;
F21L 13/04; F21L 13/08; F21L 14/02;
F21L 17/00; F21L 19/00
See application file for complete search history.

Primary Examiner — Lakiya Rogers
Assistant Examiner — Carissa C Fitts
 (74) *Attorney, Agent, or Firm* — Ladas & Parry LLP

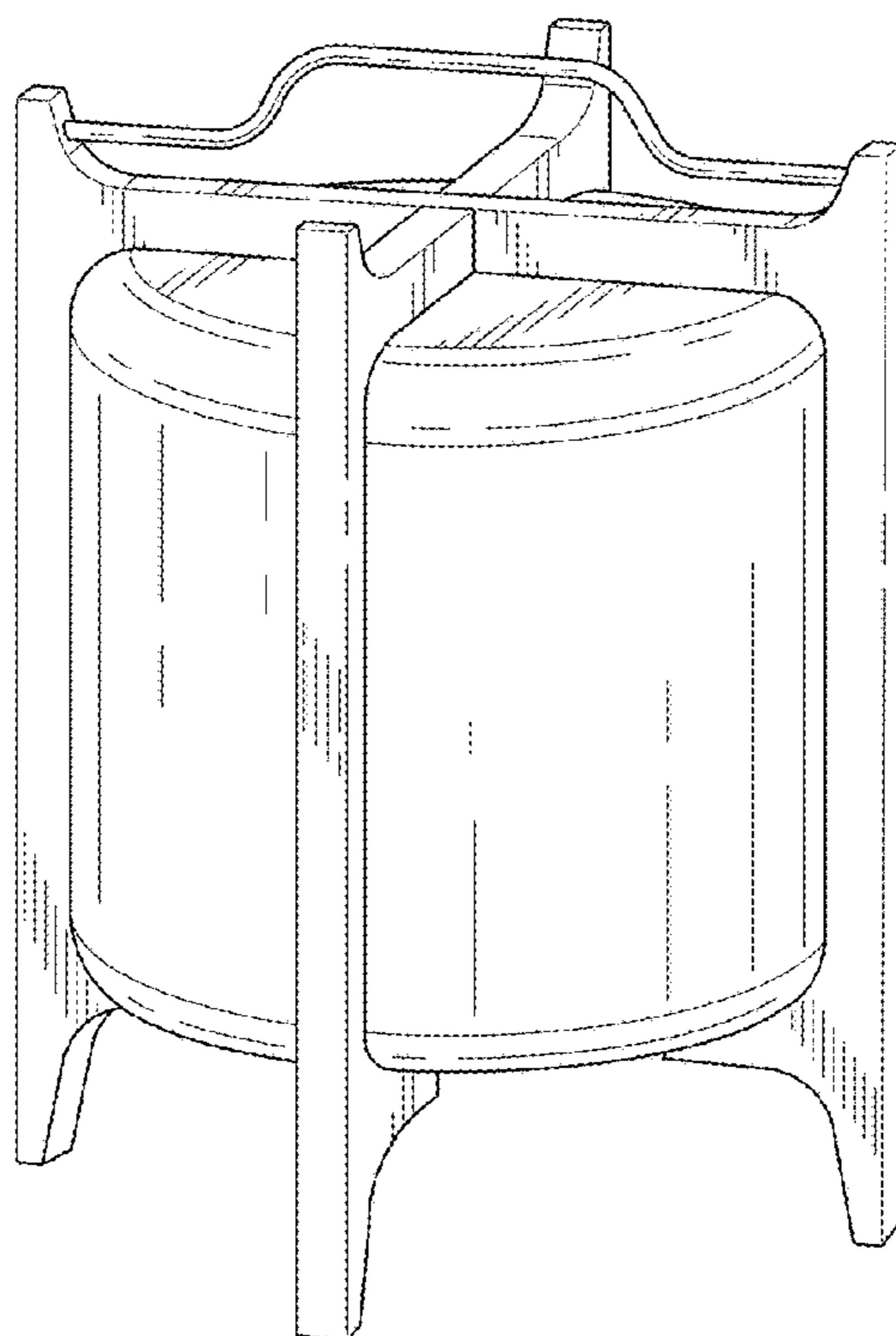
(57) **CLAIM**
 The ornamental design for a patio lantern, as shown.

DESCRIPTION

FIG. 1 is a top, right, front perspective view of a patio lantern, showing my new design.
 FIG. 2 is a bottom front perspective thereof;
 FIG. 3 is a top plan view thereof;
 FIG. 4 is a bottom plan view thereof;
 FIG. 5 is a front elevation thereof;
 FIG. 6 is a rear elevation thereof;
 FIG. 7 is a left side elevation thereof; and,
 FIG. 8 is a right side elevation thereof.

- (56) **References Cited**
 U.S. PATENT DOCUMENTS
 D87,543 S * 8/1932 Recker D26/41
 D422,725 S * 4/2000 Leonard D26/37

1 Claim, 4 Drawing Sheets



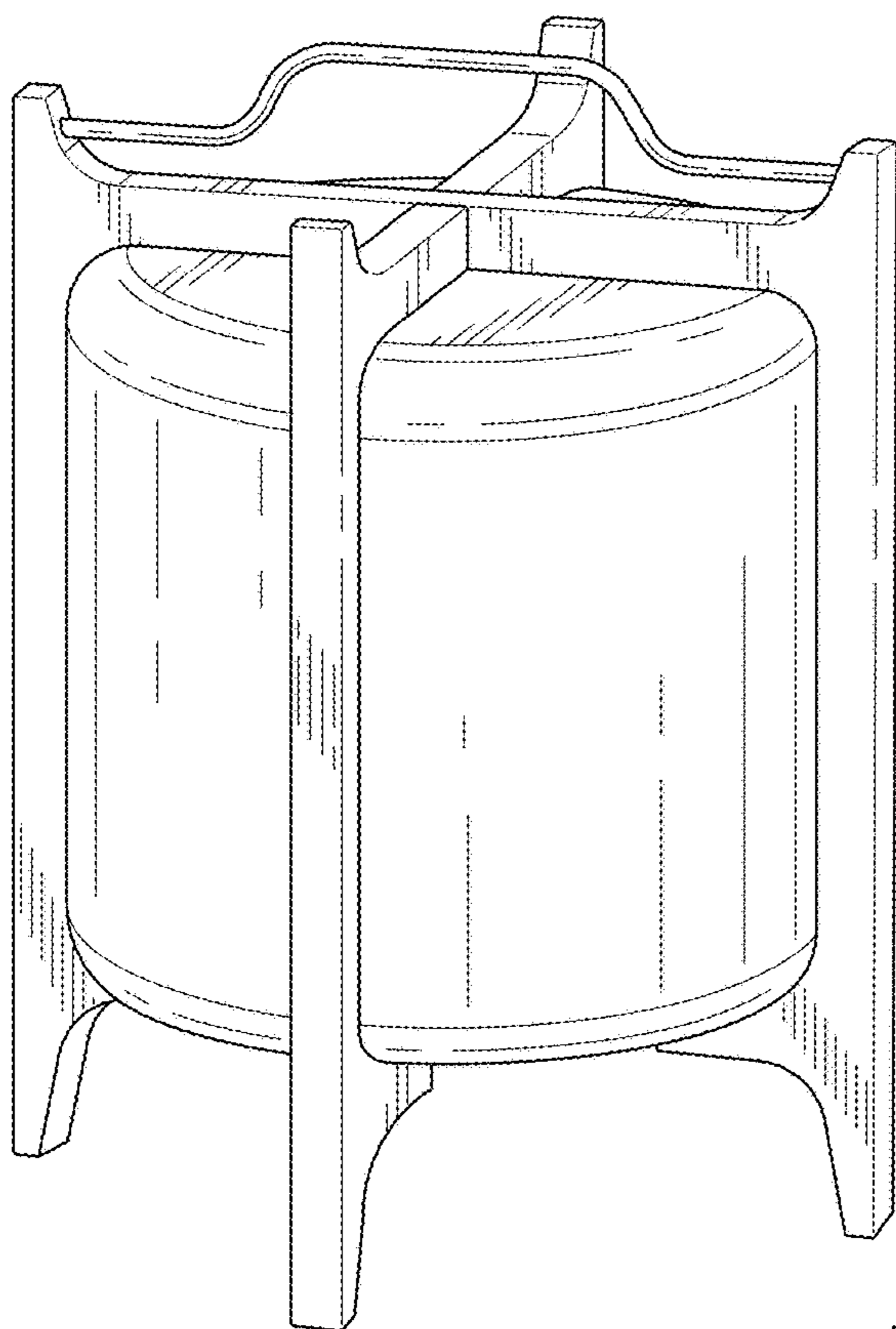


FIG. 1

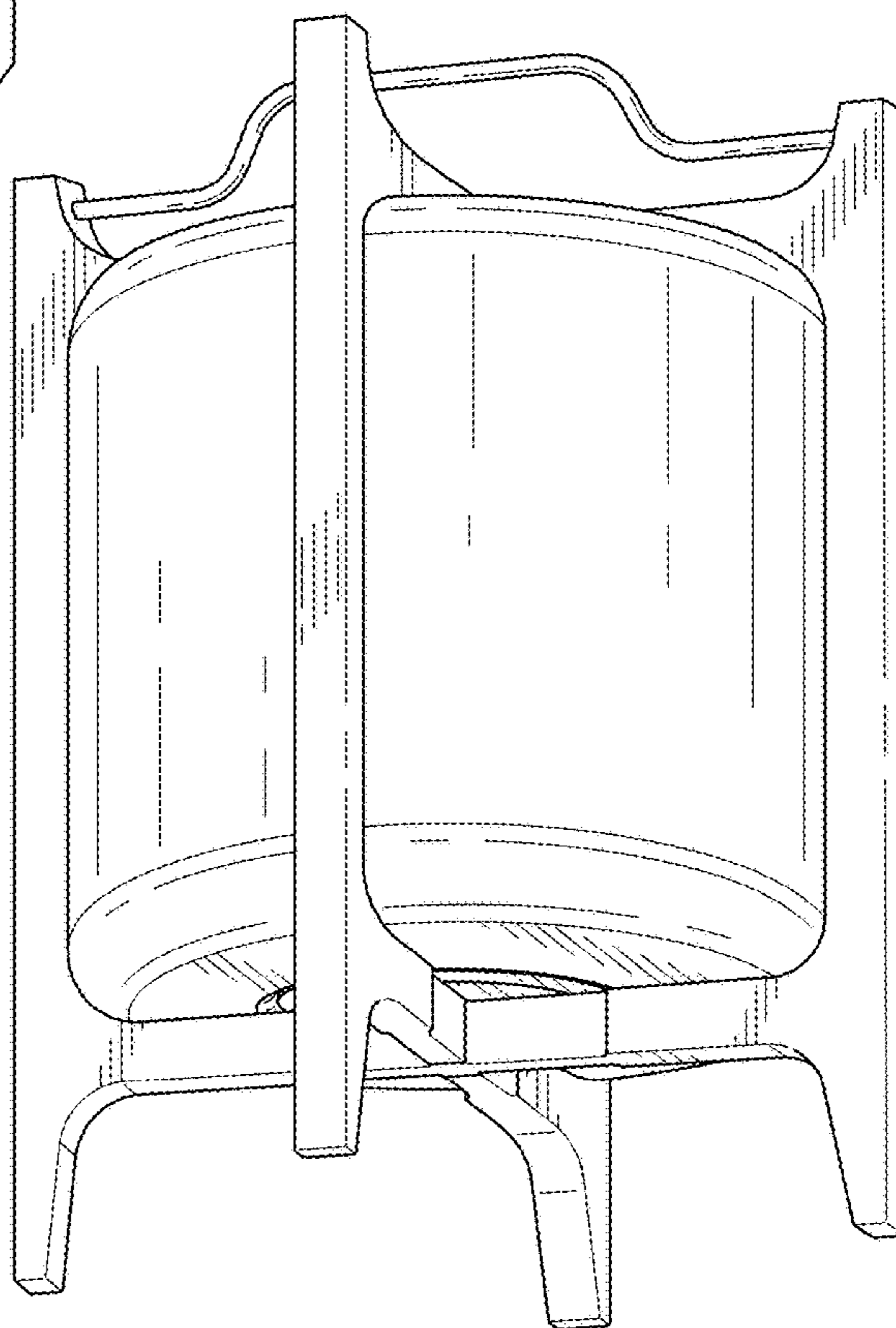


FIG. 2

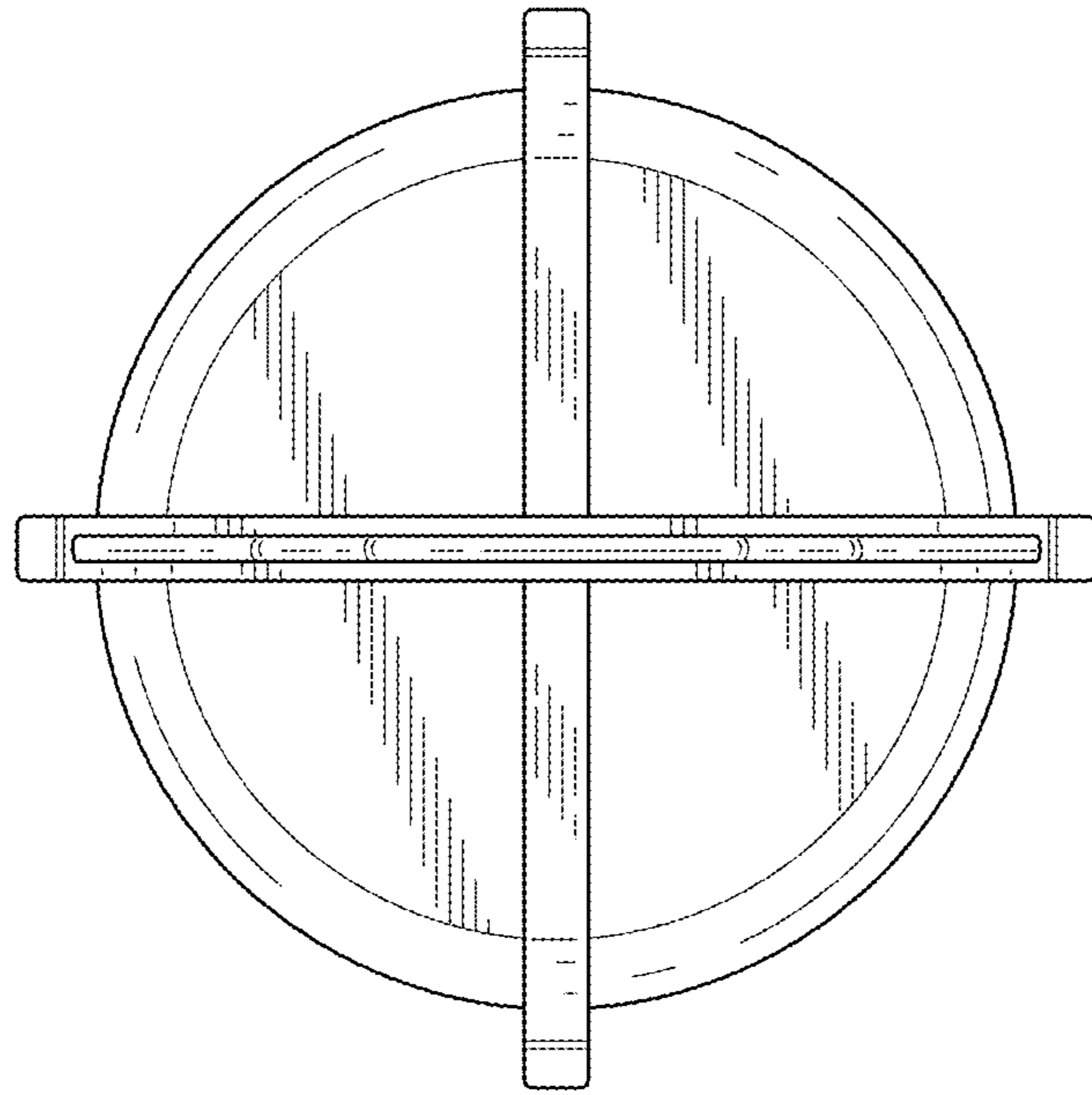


FIG. 3

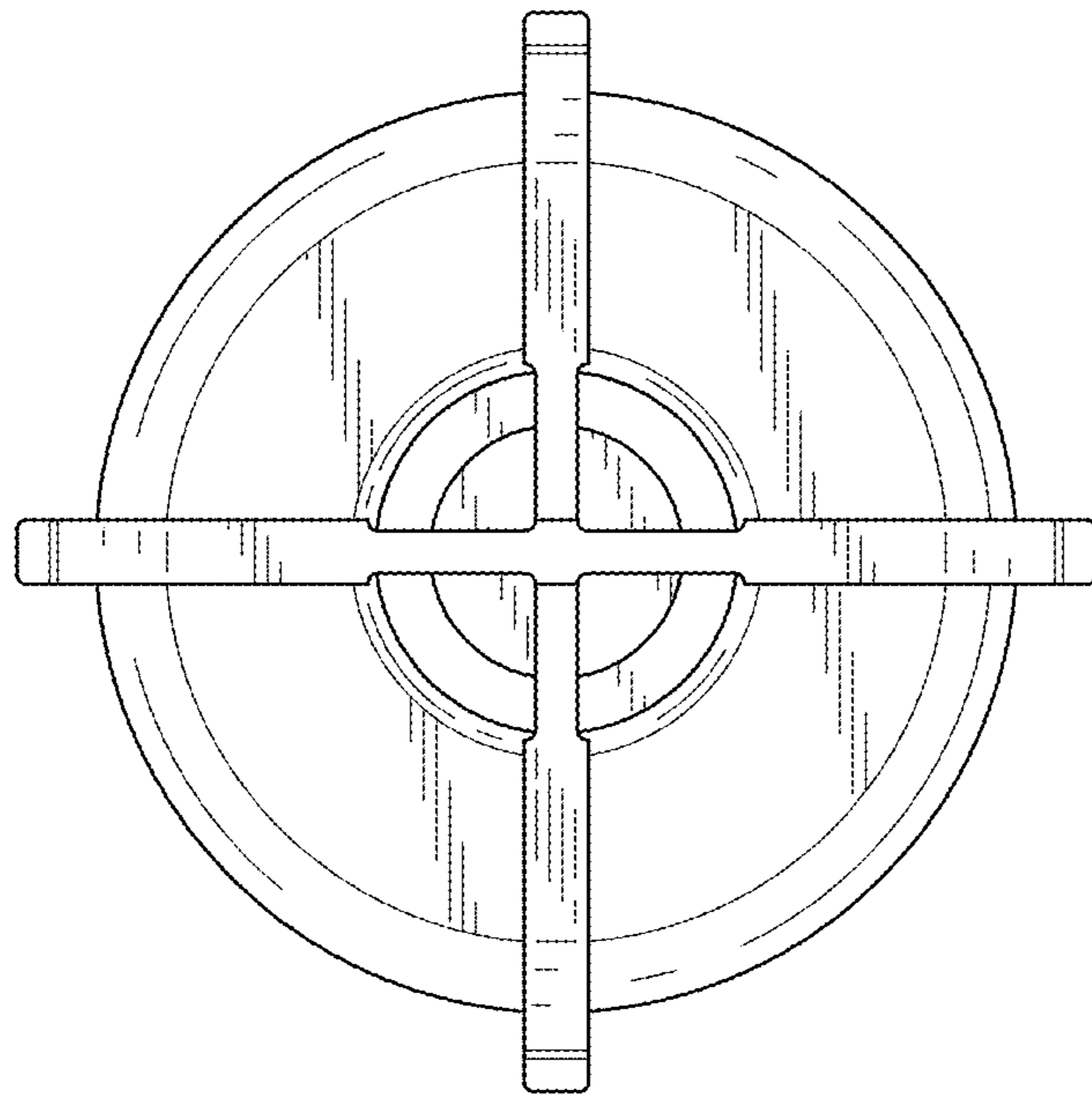


FIG. 4

FIG. 5

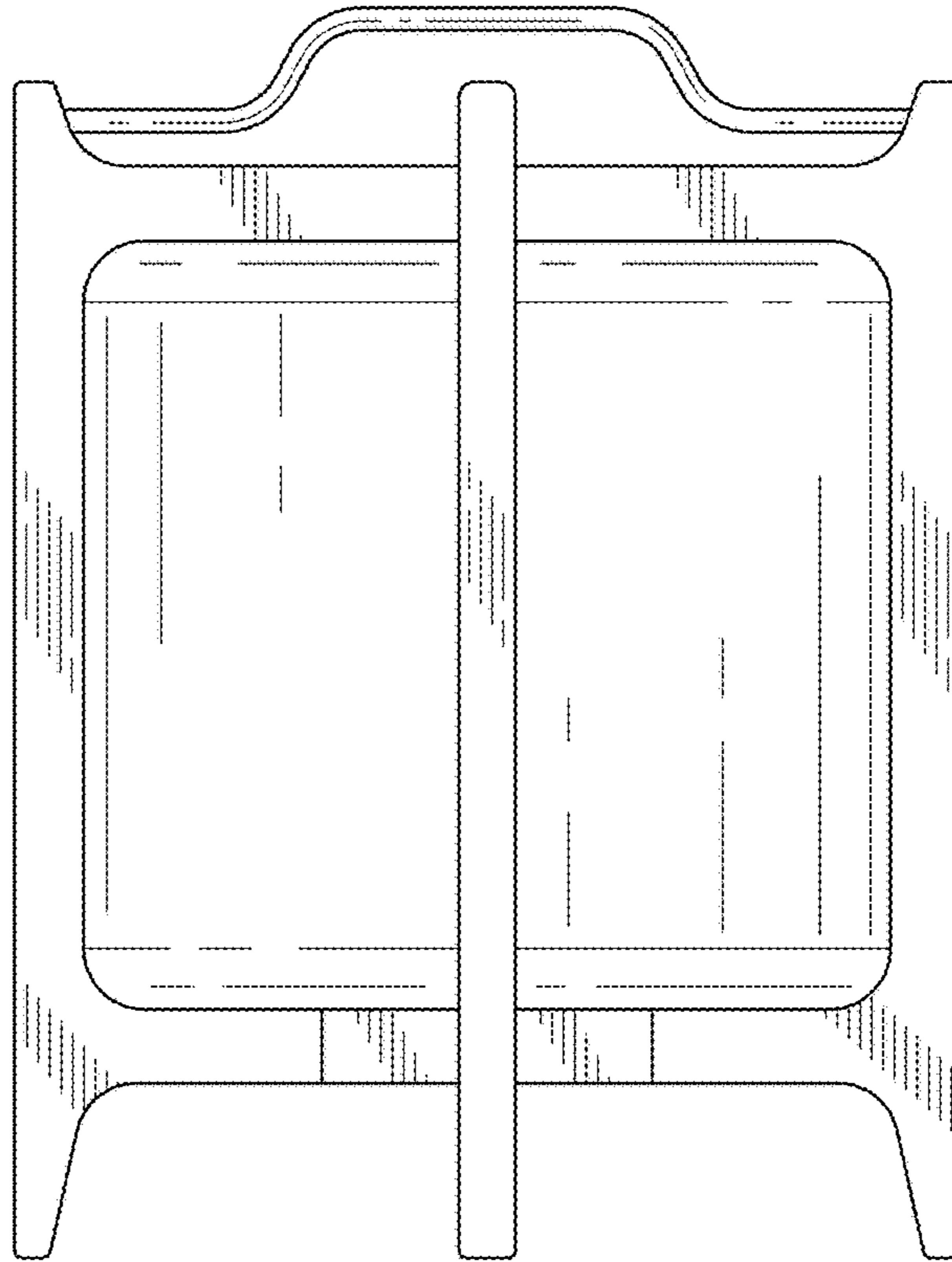


FIG. 6

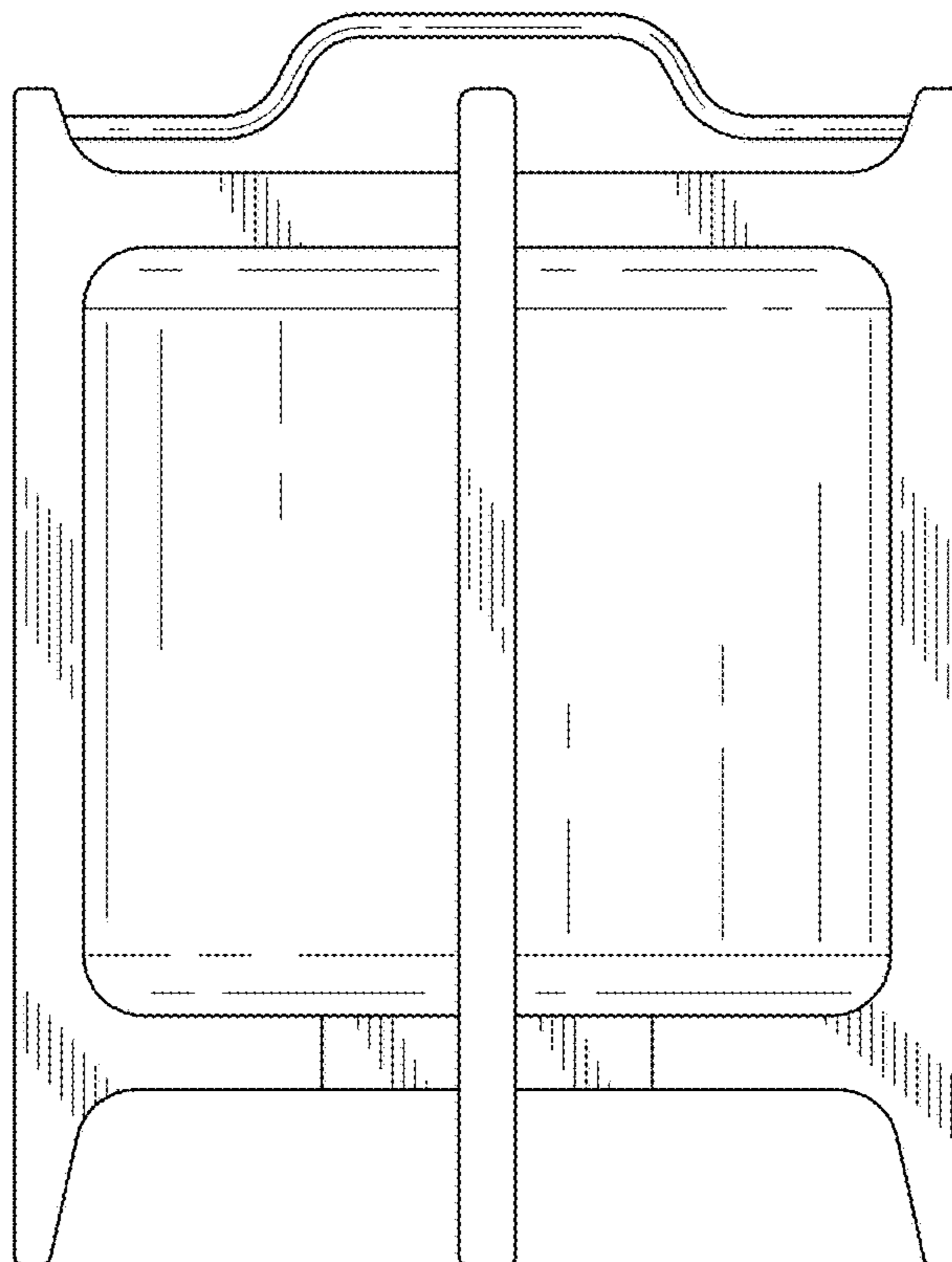


FIG. 7

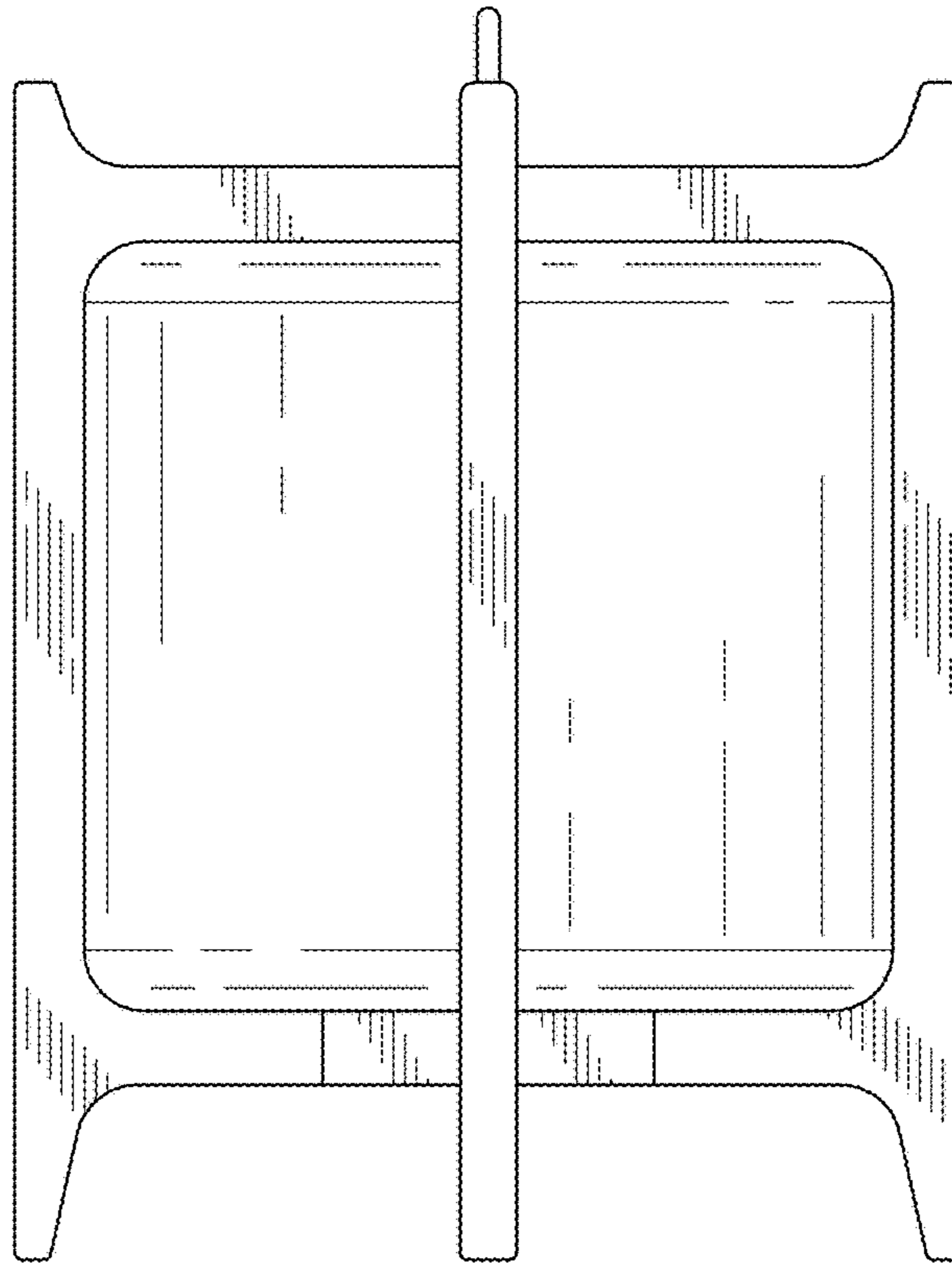


FIG. 8

