



US00D806921S

(12) **United States Design Patent**
Ryu et al.

(10) **Patent No.:** **US D806,921 S**
(45) **Date of Patent:** **** Jan. 2, 2018**

(54) **HEADLAMP FOR VEHICLES**
(71) Applicant: **LG ELECTRONICS INC.**, Seoul (KR)
(72) Inventors: **Daihyung Ryu**, Seoul (KR); **Youngkook Seo**, Seoul (KR); **Jinhee Kim**, Seoul (KR)
(73) Assignee: **LG ELECTRONICS INC.**, Seoul (KR)
(**) Term: **15 Years**
(21) Appl. No.: **35/501,433**
(22) Filed: **Feb. 25, 2016**

3,594,569 A * 7/1971 Cranmore B60Q 1/0683
362/419
3,959,643 A * 5/1976 Munoz F21S 48/10
362/217.06
3,979,622 A * 9/1976 Rijnders H01K 9/08
313/117
4,586,116 A * 4/1986 Kasboske F21S 48/1131
362/293
D304,621 S * 11/1989 Schmidt D26/36
D304,622 S * 11/1989 Schmidt D26/36
D304,861 S * 11/1989 Schmidt D26/29
D492,801 S * 7/2004 Metros D26/28
D493,552 S * 7/2004 Metros D26/28
D564,683 S * 3/2008 Roach D26/28
D647,225 S * 10/2011 Conway D26/2
D675,354 S * 1/2013 Sakai D26/28
D683,869 S * 6/2013 Schmeckpeper D26/28
D709,644 S * 7/2014 Hovind D26/139
D741,527 S * 10/2015 Hammoud D26/28

(Continued)

(80) **Hague Agreement Data**
Int. Filing Date: **Feb. 25, 2016**
Int. Reg. No.: **DM/090336**
Int. Reg. Date: **Feb. 25, 2016**
Int. Reg. Pub. Date: **Aug. 26, 2016**

Primary Examiner — Rhea Shields
(74) *Attorney, Agent, or Firm* — Birch, Stewart, Kolasch & Birch, LLP

(30) **Foreign Application Priority Data**
Aug. 27, 2015 (KR) 30-2015-0043211
(51) **LOC (11) Cl.** **26-06**
(52) **U.S. Cl.**
USPC **D26/28**
(58) **Field of Classification Search**
USPC D26/28, 139, 39, 36, 29, 2; 362/336,
362/343, 419, 217.06, 293; 313/117
CPC F21S 48/1233; F21S 48/10; F21S 48/1131;
H01K 9/08
See application file for complete search history.

(57) **CLAIM**

The ornamental design for a headlamp for vehicles, as shown and described.

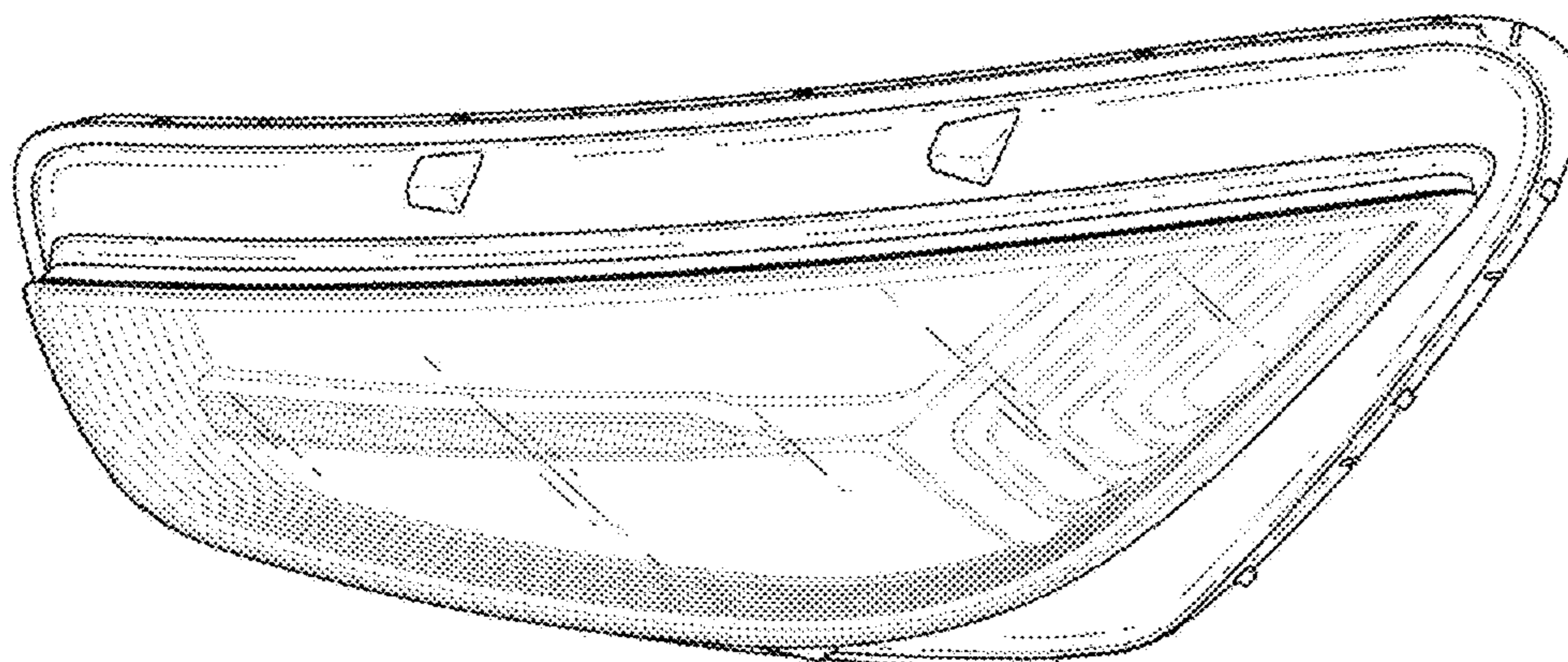
DESCRIPTION

- 1. Headlamp for vehicles
- 1.1 : Perspective
- 1.2 : Front
- 1.3 : Back
- 1.4 : Perspective
- 1.5 : Perspective
- 1.6 : Top
- 1.7 : Bottom

The gist of the present ornamental design is a combination of shape and pattern of headlamp for vehicles, as shown and described.

(56) **References Cited**
U.S. PATENT DOCUMENTS
1,862,078 A * 6/1932 Falge F21S 48/1233
362/336
2,518,505 A * 8/1950 Teele, Jr. B60Q 1/14
362/343

1 Claim, 7 Drawing Sheets



(56)

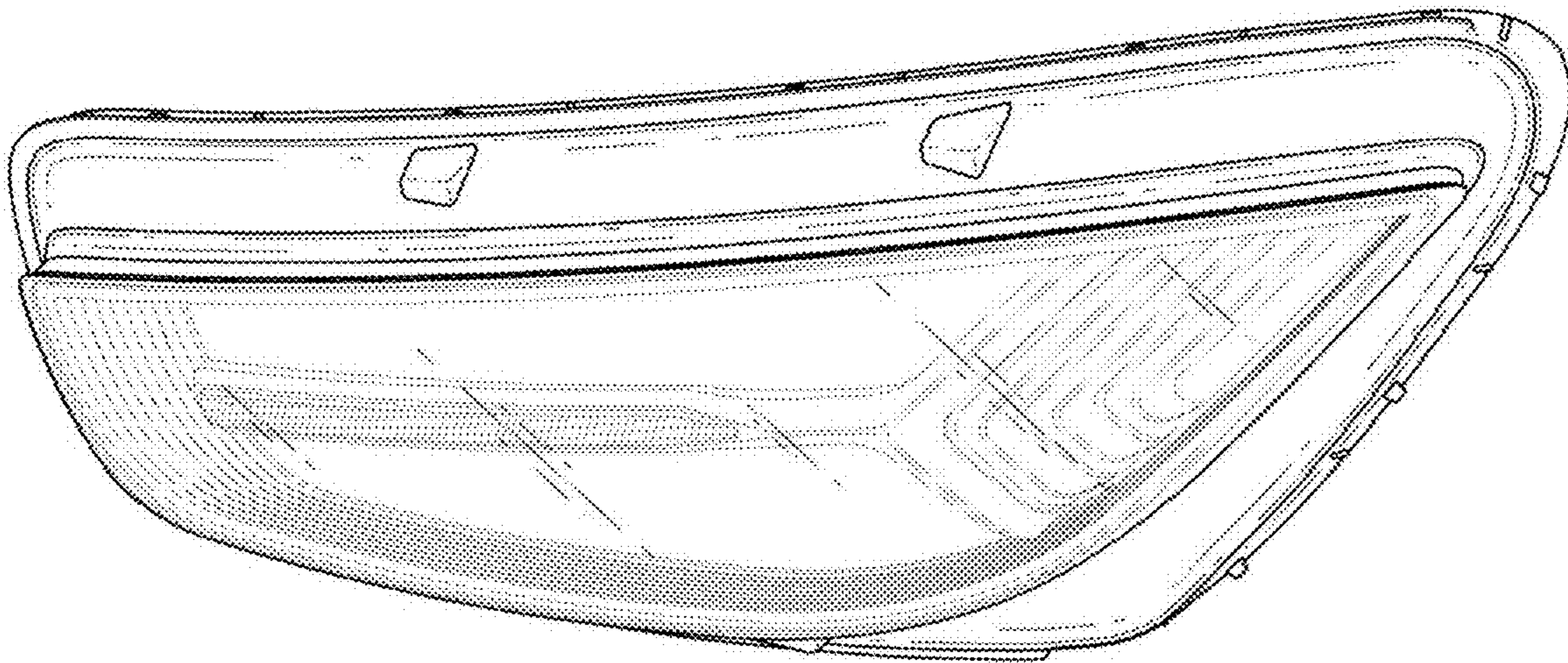
References Cited

U.S. PATENT DOCUMENTS

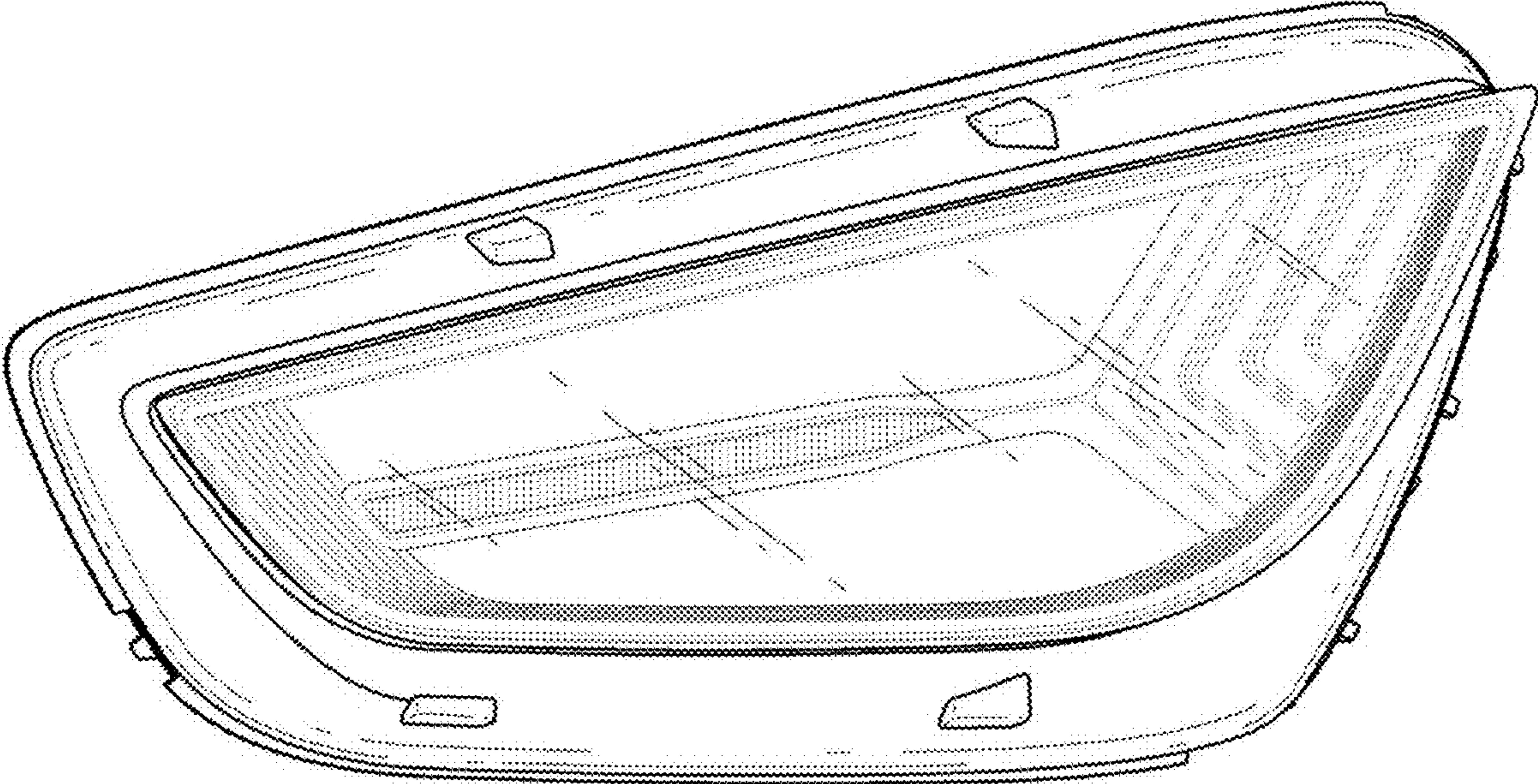
D745,726	S	*	12/2015	McMahan	D26/28
D747,515	S	*	1/2016	McMahan	D26/28
D748,302	S	*	1/2016	Ahn	D26/28
D752,785	S	*	3/2016	Horiuchi	D26/28
D752,788	S	*	3/2016	Kuwahara	D26/28
D753,325	S	*	4/2016	Diephuis	D26/28
D760,930	S	*	7/2016	Fisker	D26/28
D773,701	S	*	12/2016	Liu	D26/28
D775,378	S	*	12/2016	Hatton	D26/28
D776,843	S	*	1/2017	McCabe	D26/28
D777,360	S	*	1/2017	Kozub	D26/28
D778,469	S	*	2/2017	Ito	D26/28
D778,470	S	*	2/2017	Ito	D26/28
D780,959	S	*	3/2017	Curic	D26/28
D783,868	S	*	4/2017	Munakata	D26/28
D784,579	S	*	4/2017	Cheng	D26/28
D785,830	S	*	5/2017	Park	D26/28
D788,337	S	*	5/2017	Koshiba	D26/39
D788,339	S	*	5/2017	Koshiba	D26/39
D794,229	S	*	8/2017	Barry	D26/28

* cited by examiner

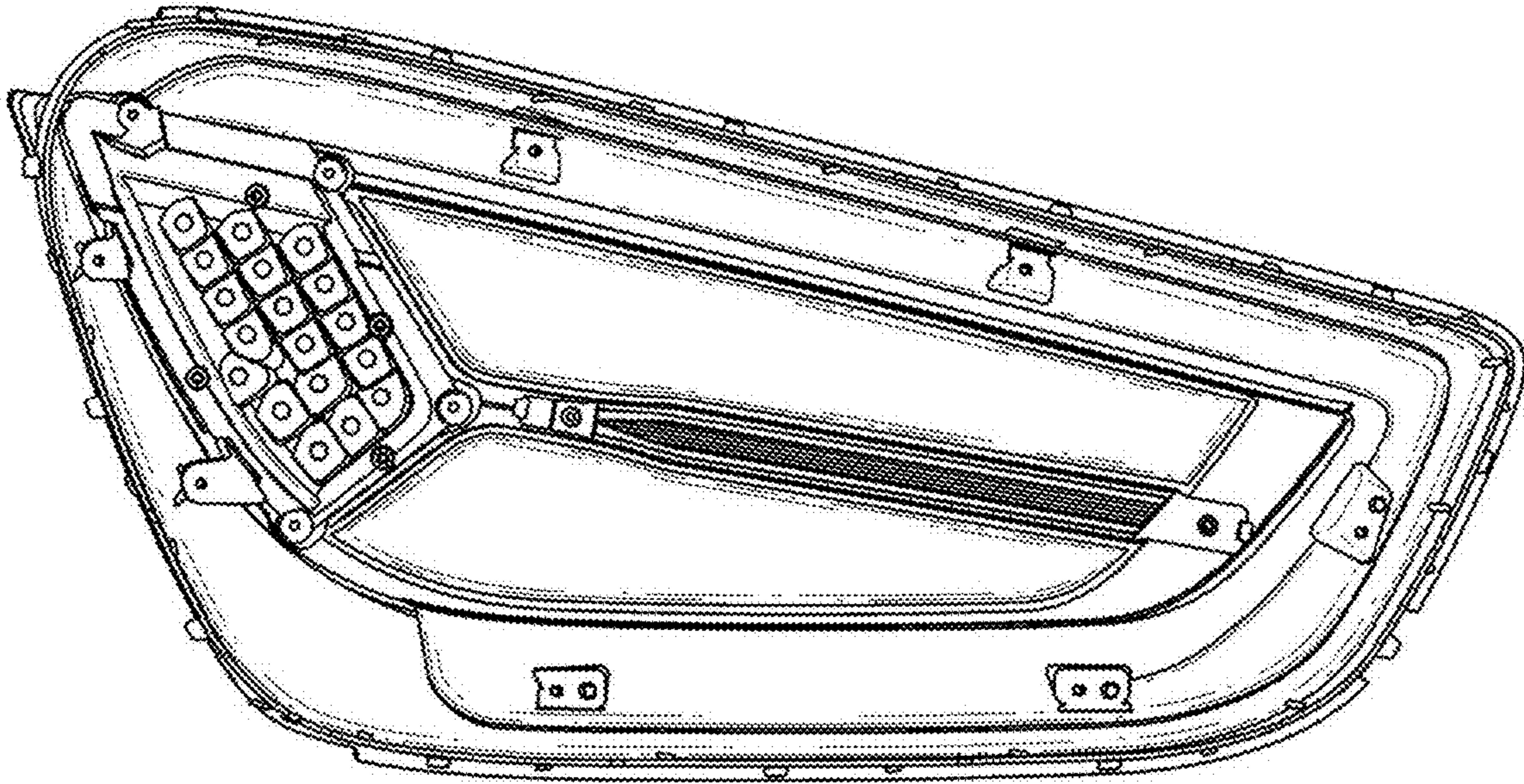
1.1



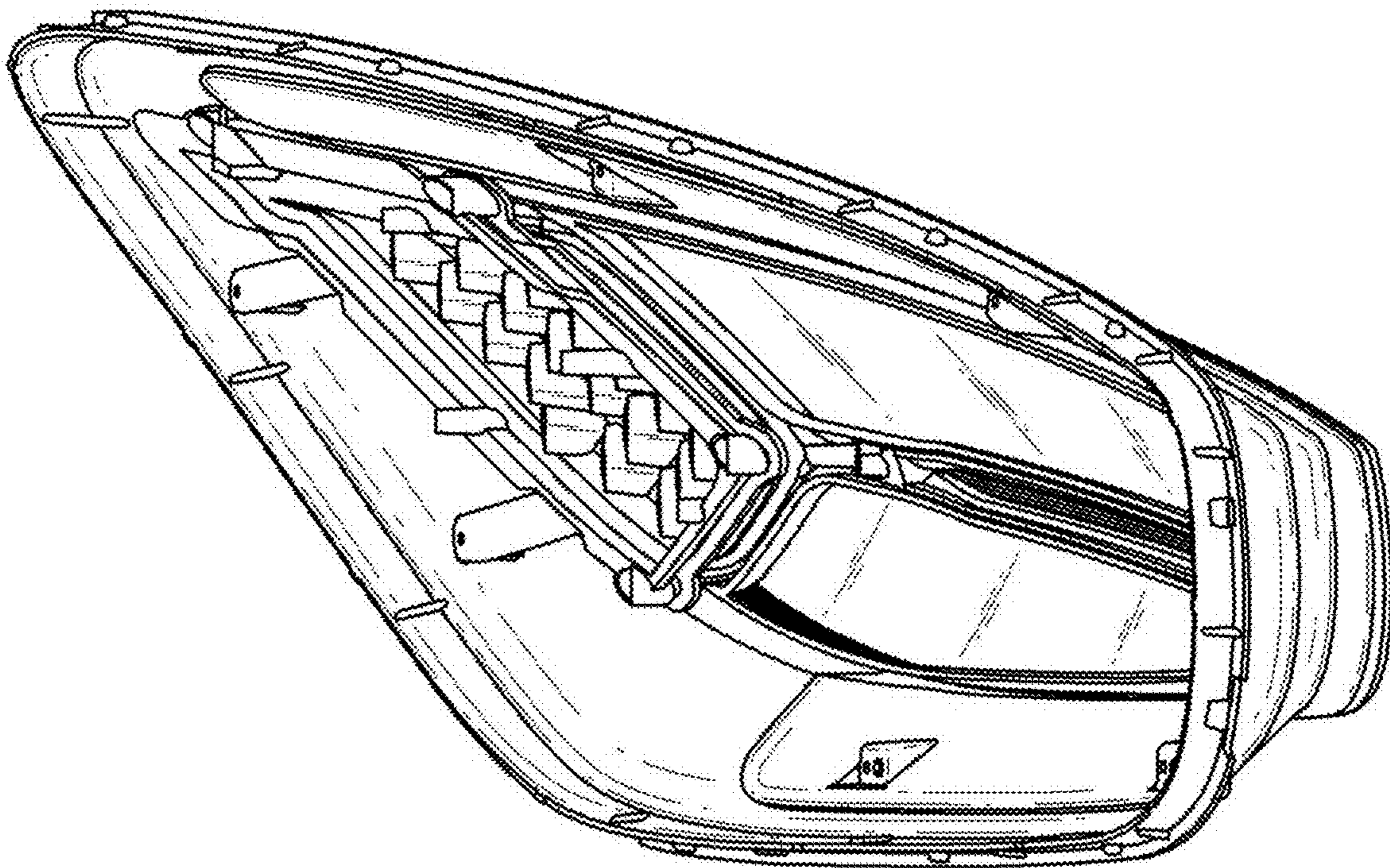
1.2



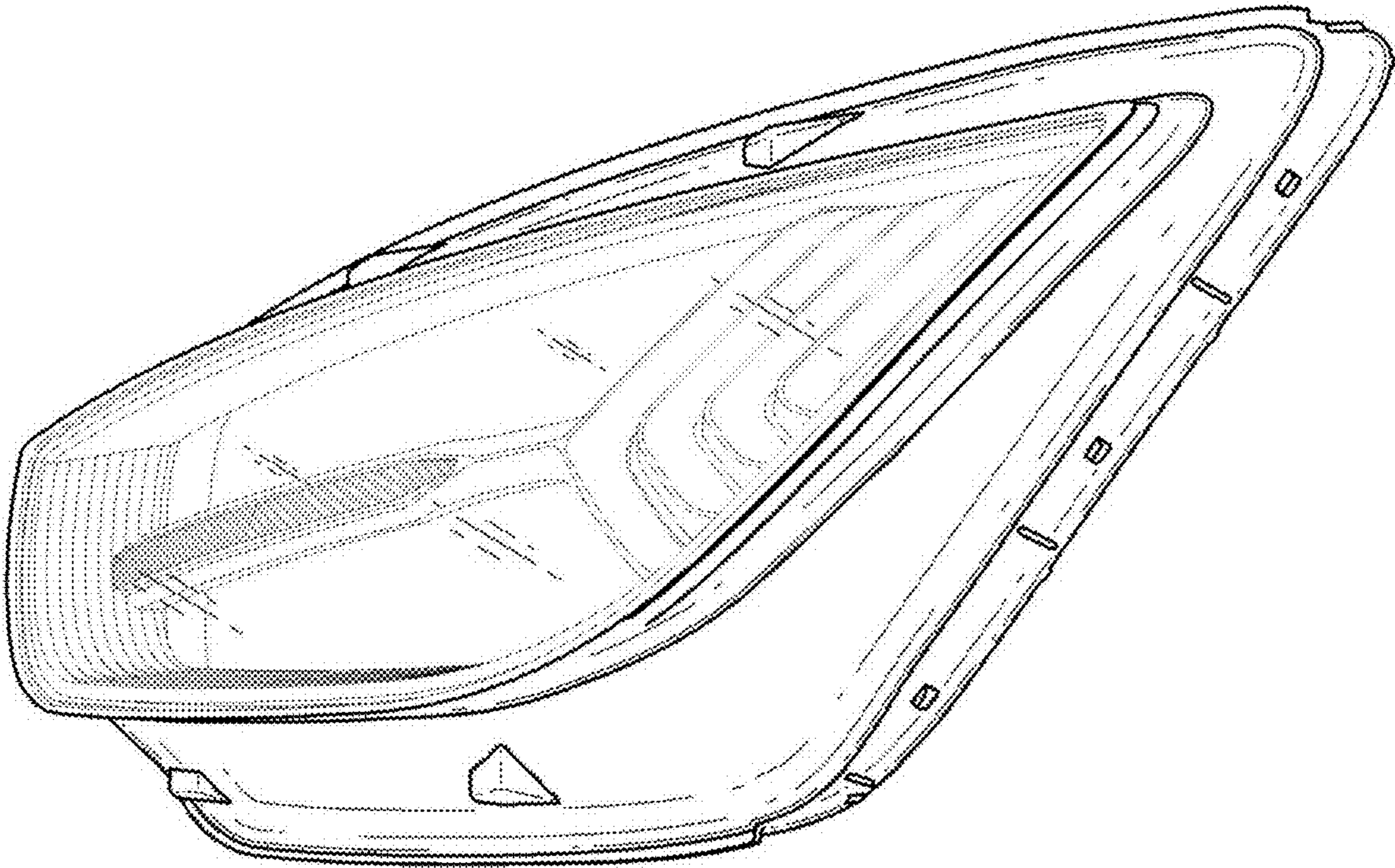
1.3



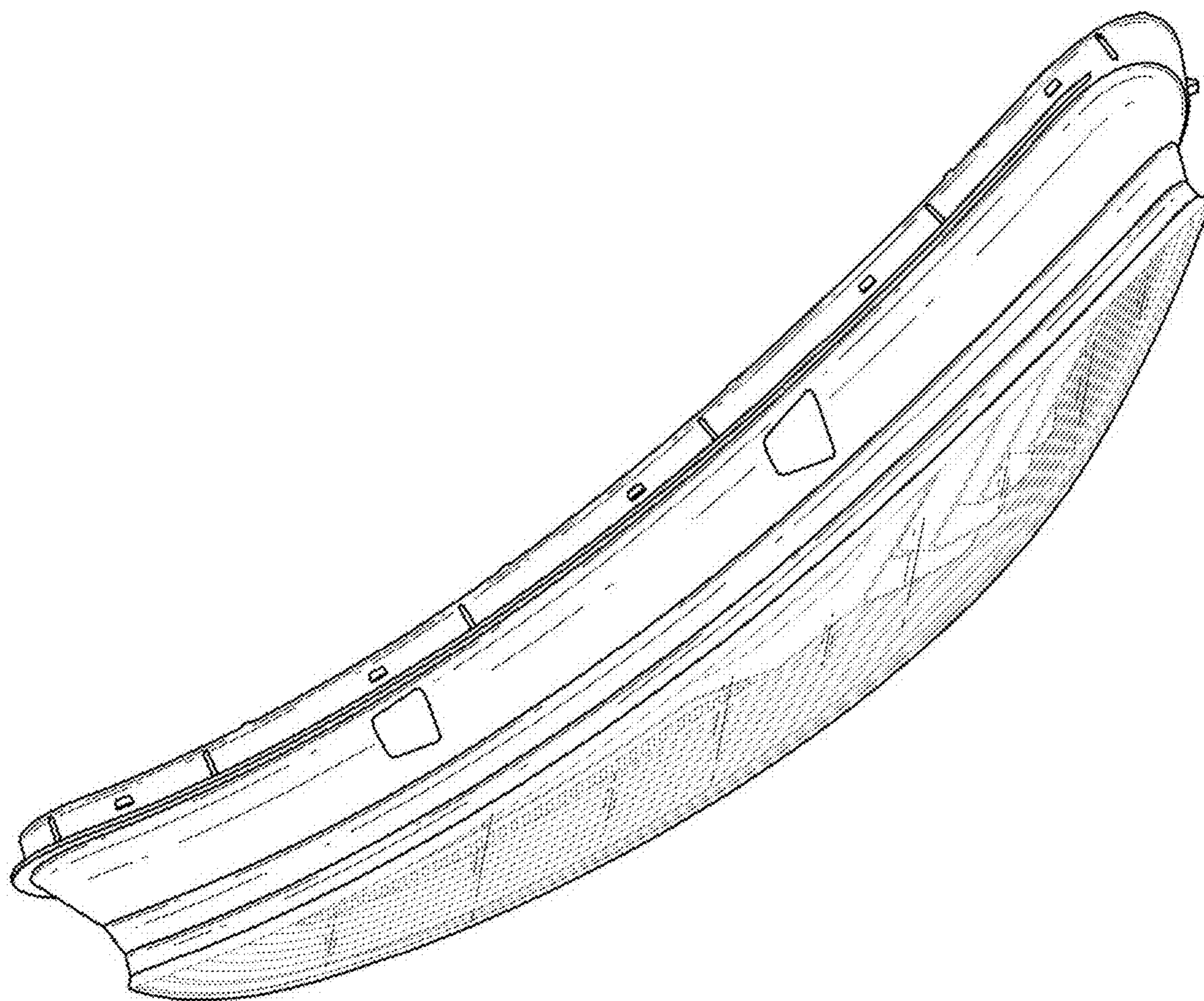
1.4



1.5



1.6



1.7

