



US00D806920S

(12) **United States Design Patent** (10) **Patent No.:** **US D806,920 S**
Bucher et al. (45) **Date of Patent:** **** Jan. 2, 2018**

(54) **VEHICLE TAIL LAMP**

(71) Applicant: **Ford Global Technologies, LLC**,
Dearborn, MI (US)
(72) Inventors: **George Bucher**, Dearborn, MI (US);
Dean Carbis, Bloomfield Hills, MI
(US); **Jesse Diephuis**, West Bloomfield,
MI (US)
(73) Assignee: **Ford Global Technologies, LLC**,
Dearborn, MI (US)
(**) Term: **15 Years**

(21) Appl. No.: **29/583,119**
(22) Filed: **Nov. 2, 2016**
(51) **LOC (11) Cl.** **26-06**
(52) **U.S. Cl.**
USPC **D26/28**
(58) **Field of Classification Search**
USPC D26/28-36; 362/80-83, 267-269,
362/459-468, 475-478, 485-487
CPC B60Q 1/02; B60Q 1/04; F21S 48/00; F21S
48/10; F21S 48/115; F21S 48/225; F21S
48/1233; F21S 48/1266; F21S 48/1388;
F21S 48/2268; F21V 21/04
See application file for complete search history.

(56) **References Cited**

U.S. PATENT DOCUMENTS

D498,013 S * 11/2004 Pfeiffer D26/28
D523,976 S * 6/2006 Pfeiffer D26/28
D539,450 S * 3/2007 Pfeiffer D26/28
D549,363 S * 8/2007 Pfeiffer D26/28
D686,764 S * 7/2013 Hamilton D26/28

FOREIGN PATENT DOCUMENTS

CN 20113030946.8 3/2012
CN 201130309747.2 3/2012

OTHER PUBLICATIONS

Brad Anderson <http://www.carscoops.com/2016/02/ford-ecosport-tipped-to-reach-us-shores.html> Ford EcoSport Tipped to Reach US Shores, dated Feb. 13, 2016.
Unknown <http://www.2017suv.net/2018-ford-ecosport-release-2017-in-usa/> 2018 Ford EcoSport Release 2017 in USA dated Feb. 20, 2016.
Brandon Turkus <http://www.autoblog.com/2016/04/25/ford-ecosport-spy-shots-us/> Ford EcoSport spotted in US with Escape-inspired face dated Apr. 2016.
Unknown <http://www.oncars.in/car-news/spoted-2017-ford-ecosport-reveals-front-facia-india-launch-by-next-year/10372>
Spotted: 2017 Ford EcoSport reveals front facia; India launch by next year dated Apr. 28, 2016.

* cited by examiner

Primary Examiner — Marcus Jackson

(74) *Attorney, Agent, or Firm* — James Dottavio

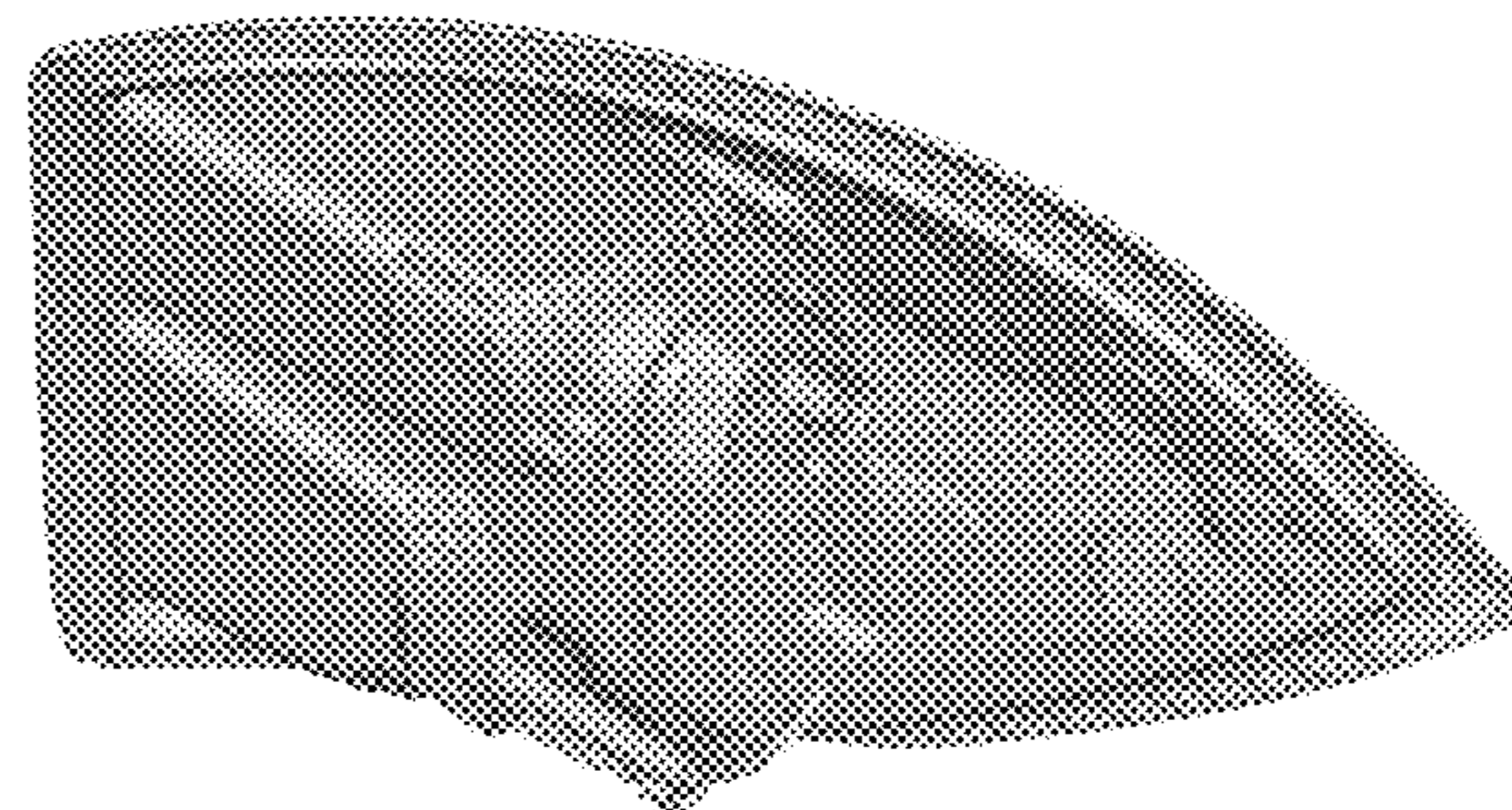
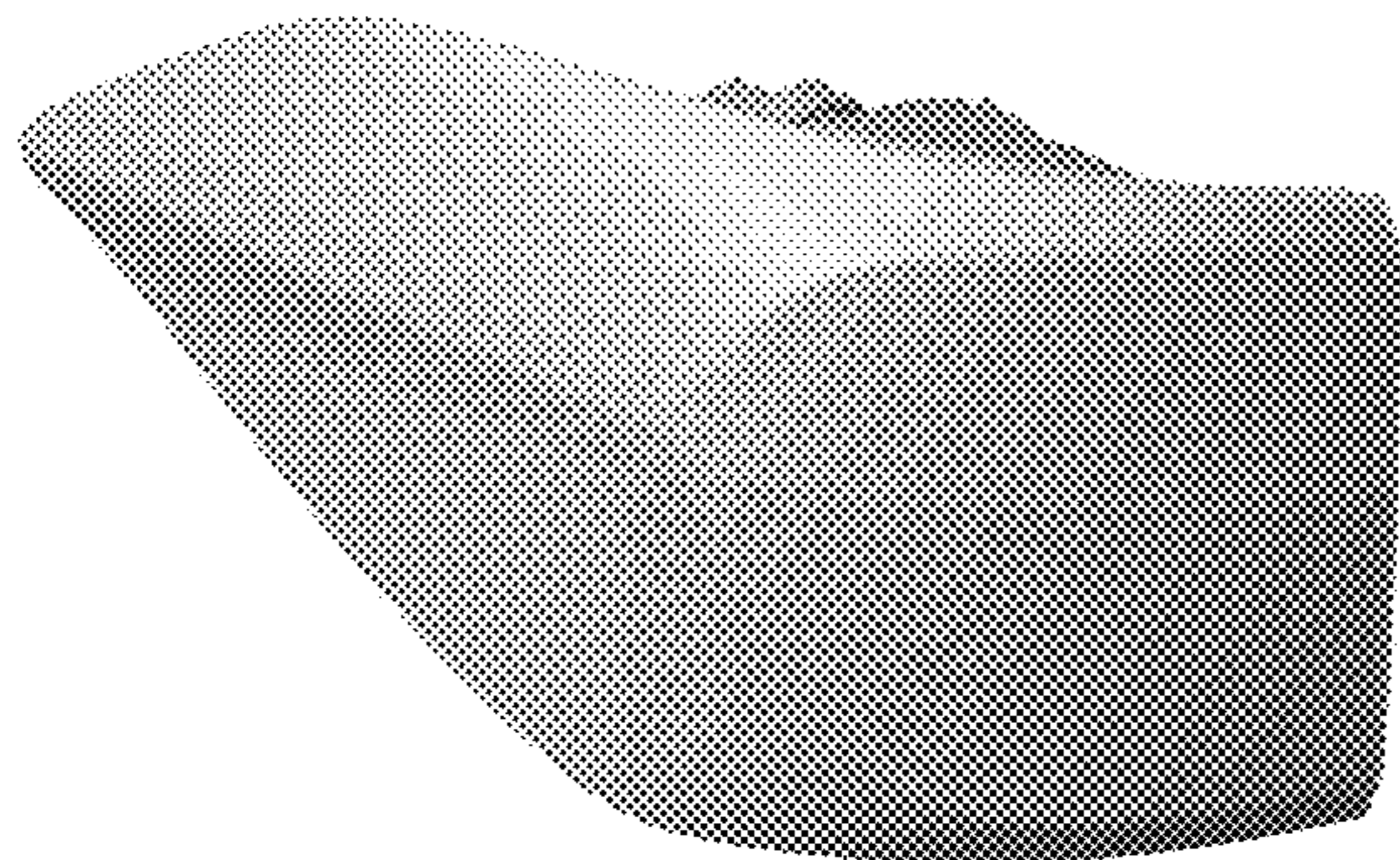
(57) **CLAIM**

The ornamental design for a vehicle tail lamp, as shown.

DESCRIPTION

FIG. 1 is a top front perspective view of the first embodiment of a vehicle tail lamp, showing our new design; FIG. 2 is a bottom front perspective view thereof; FIG. 3 is a top rear perspective view thereof; FIG. 4 is a front elevational view thereof; FIG. 5 is a rear elevational view thereof; FIG. 6 is a left side elevational view thereof; FIG. 7 is a right side elevational view thereof; FIG. 8 is a top plan view thereof; and, FIG. 9 is a bottom plan view thereof. The second embodiment of the vehicle tail lamp is mirror image of the embodiment disclosed in FIGS. 1 through 9, and is not shown.

1 Claim, 9 Drawing Sheets



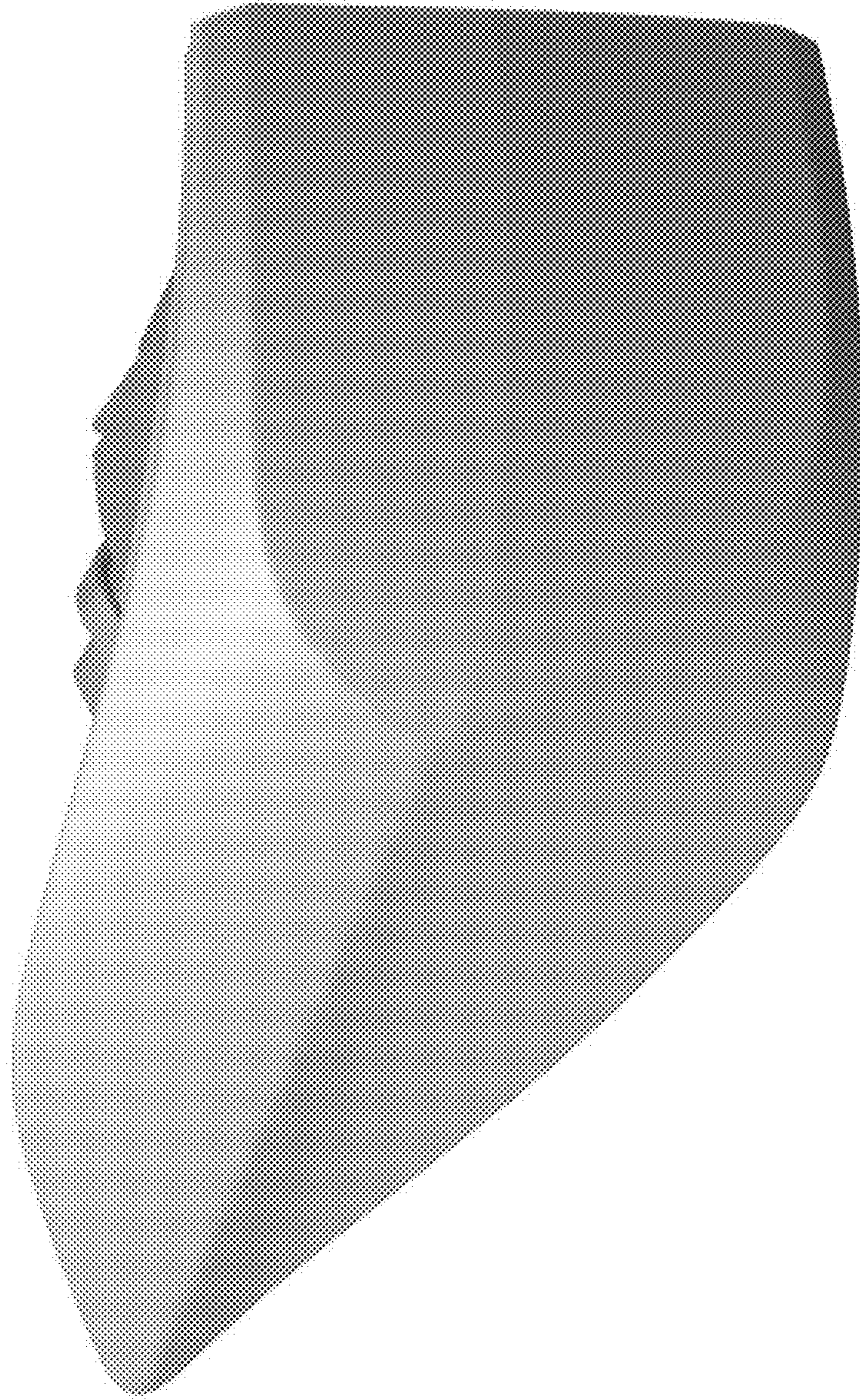


Figure 1

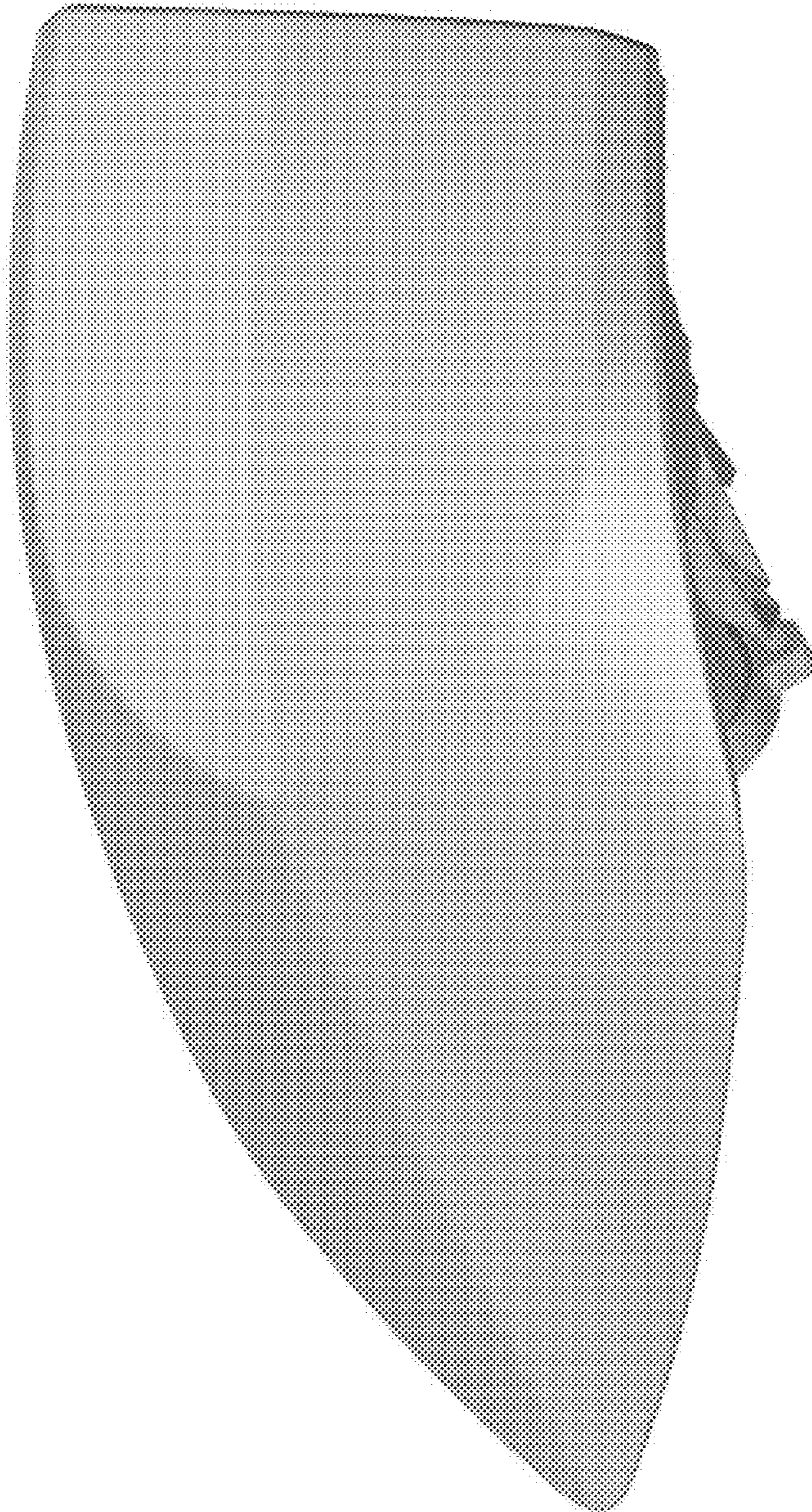


Figure 2

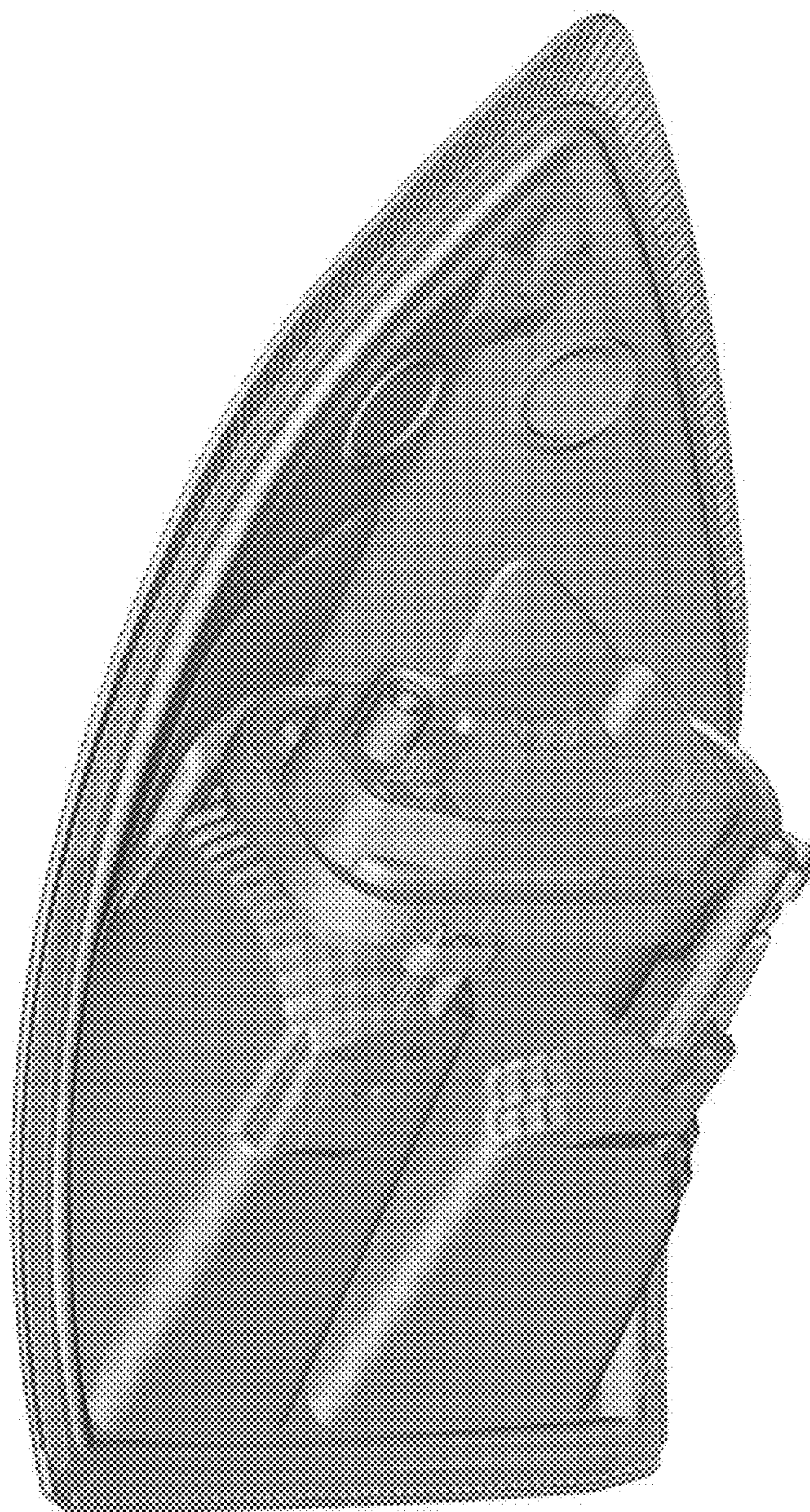


Figure 3

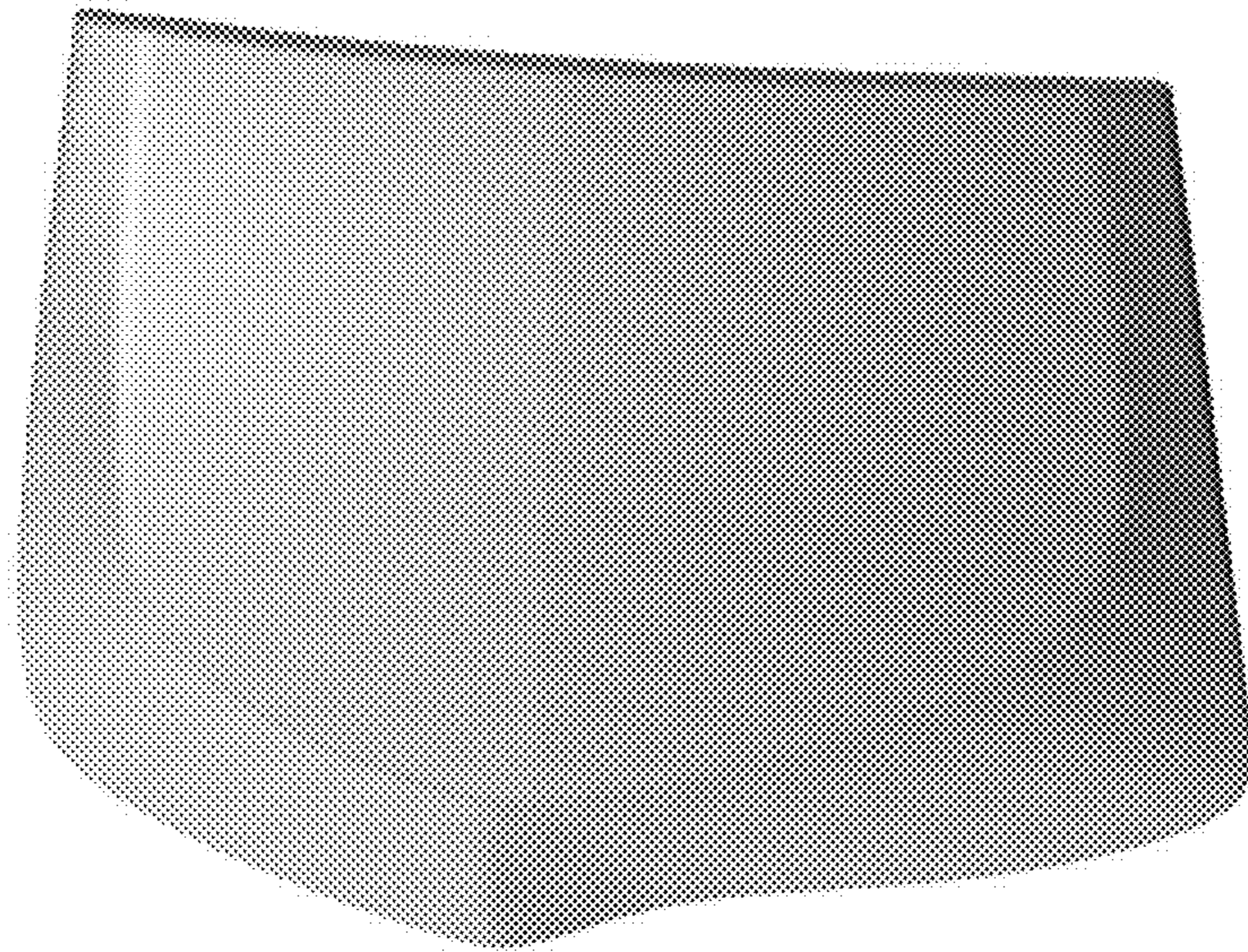


Figure 4

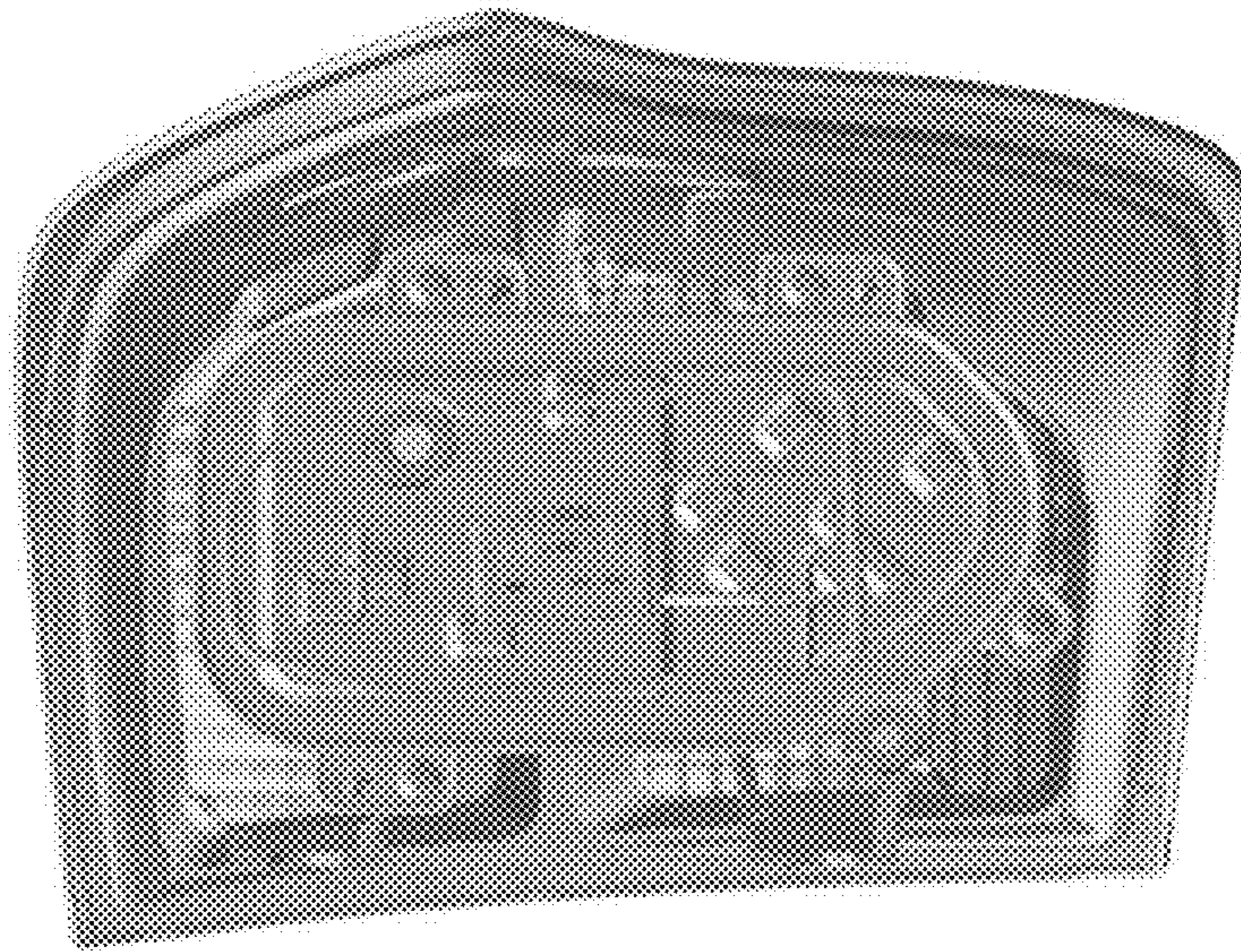


Figure 5

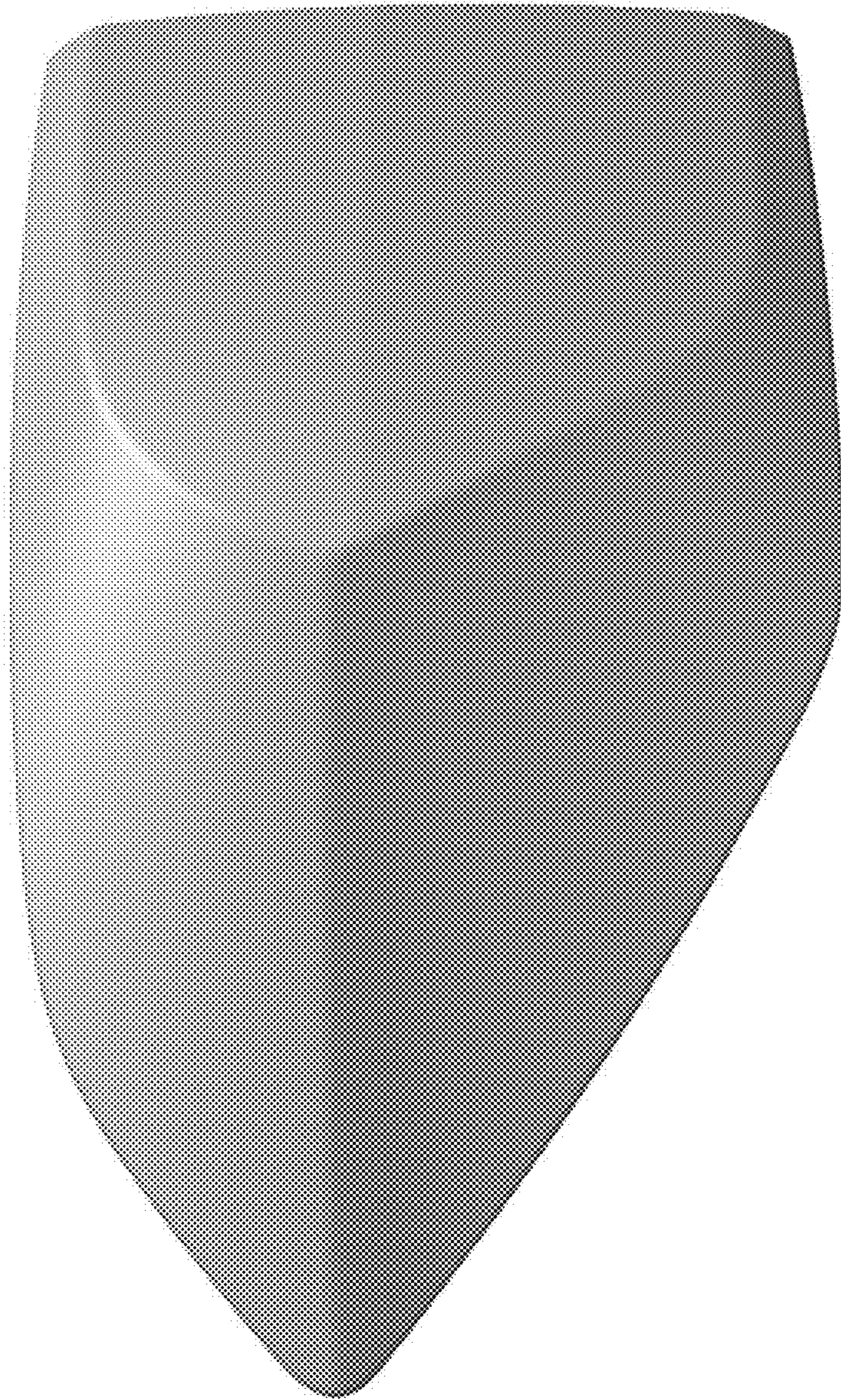


Figure 6

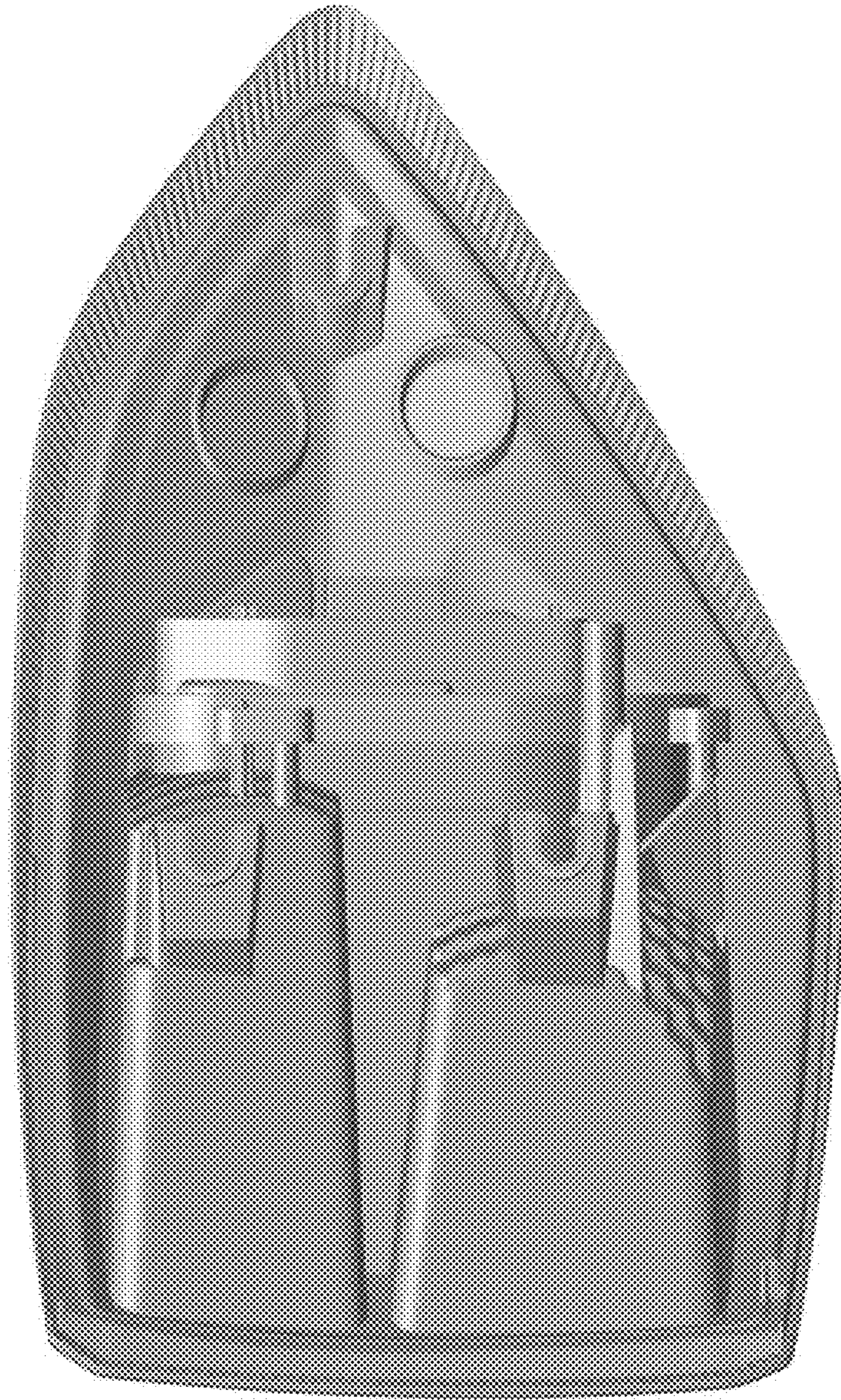


Figure 7

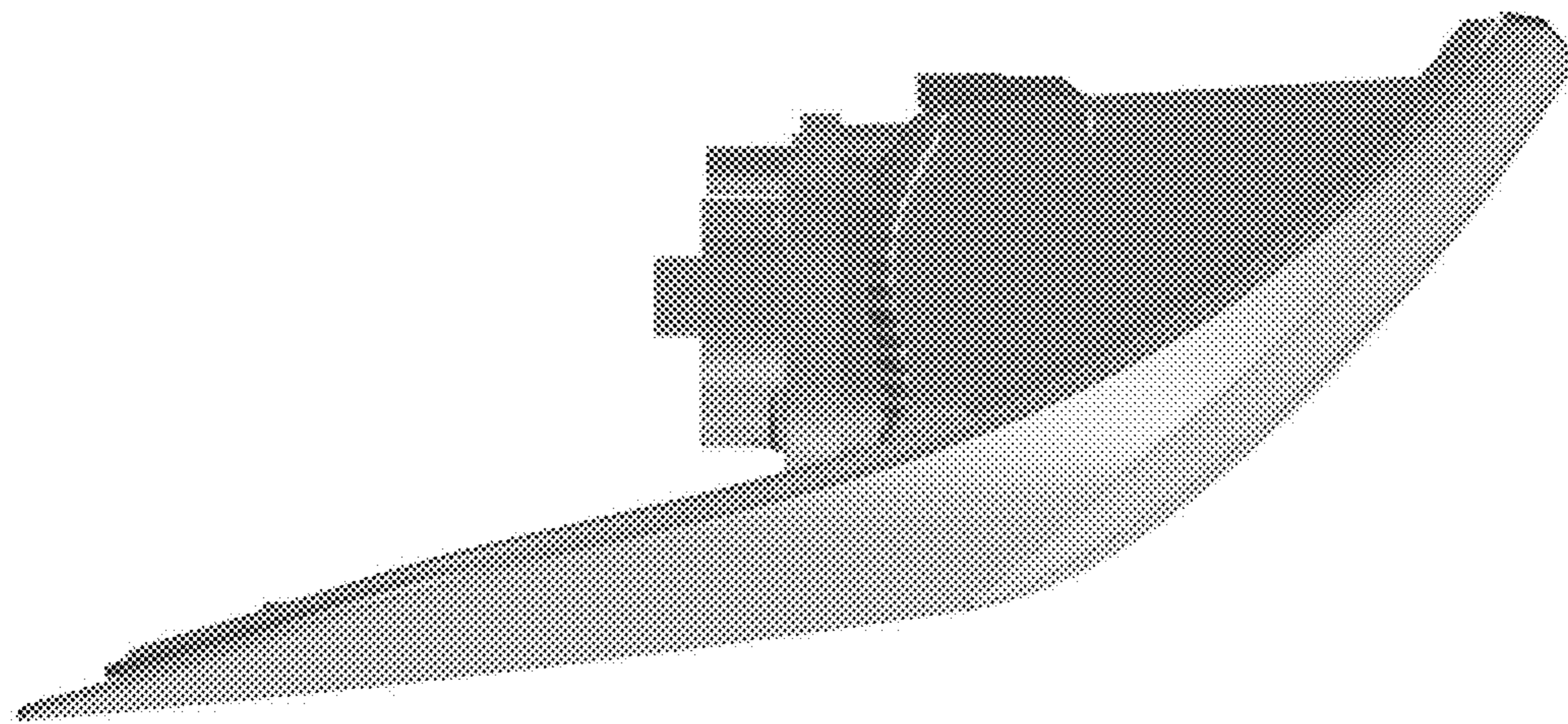


Figure 8

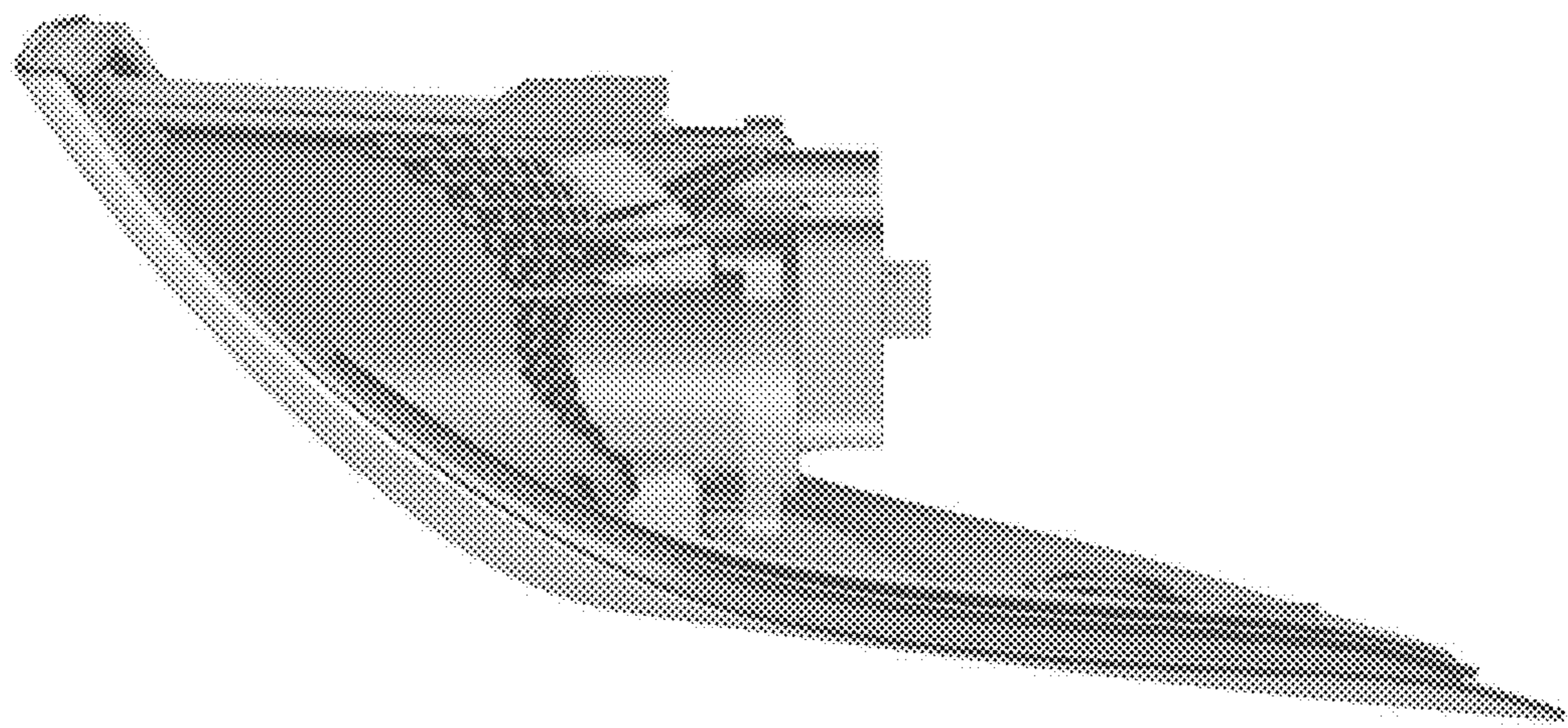


Figure 9