



US00D806918S

(12) **United States Design Patent**
Koizumi et al.

(10) **Patent No.:** **US D806,918 S**
(45) **Date of Patent:** **** Jan. 2, 2018**

(54) **REAR COMBINATION LAMP FOR AN
AUTOMOBILE**

(71) Applicant: **Nissan Motor Co., Ltd.**, Yokohama,
Kanagawa (JP)

(72) Inventors: **Kenichiro Koizumi**, San Diego, CA
(US); **Tadashi Katou**, Kanagawa (JP)

(73) Assignee: **Nissan Motor Co., Ltd.**, Yokohama
(JP)

(**) Term: **15 Years**

(21) Appl. No.: **29/573,294**

(22) Filed: **Aug. 4, 2016**

(30) **Foreign Application Priority Data**

Feb. 5, 2016 (JP) 2016-002482

(51) **LOC (11) Cl.** **26-06**

(52) **U.S. Cl.**
USPC **D26/28**

(58) **Field of Classification Search**
USPC D26/28–36; 362/80–83, 267–269,
362/459–468, 475–478, 485–487
(Continued)

(56) **References Cited**

U.S. PATENT DOCUMENTS

D476,436 S * 6/2003 Lin D26/28
D497,016 S * 10/2004 Wu D26/28
(Continued)

FOREIGN PATENT DOCUMENTS

JP D1359171 S 5/2009
JP D1418754 S 7/2011
(Continued)

Primary Examiner — Marcus Jackson
(74) *Attorney, Agent, or Firm* — Global IP Counselors,
LLP

(57) **CLAIM**

The ornamental design for a rear combination lamp for an automobile, as shown and described.

DESCRIPTION

FIG. 1 is a front elevational view of a rear combination lamp for an automobile in accordance with a first embodiment of our new design;

FIG. 2 is a rear elevational view of the rear combination lamp for an automobile in accordance with the first embodiment of our new design of FIG. 1;

FIG. 3 is a top plan view of the rear combination lamp for an automobile in accordance with the first embodiment of our new design of FIGS. 1 and 2;

FIG. 4 is a bottom plan view of the rear combination lamp for an automobile in accordance with the first embodiment of our new design of FIGS. 1 to 3;

FIG. 5 is a right side elevational view of the rear combination lamp for an automobile in accordance with the first embodiment of our new design of FIGS. 1 to 4;

FIG. 6 is a left side elevational view of the rear combination lamp for an automobile in accordance with the first embodiment of our new design of FIGS. 1 to 5; and,

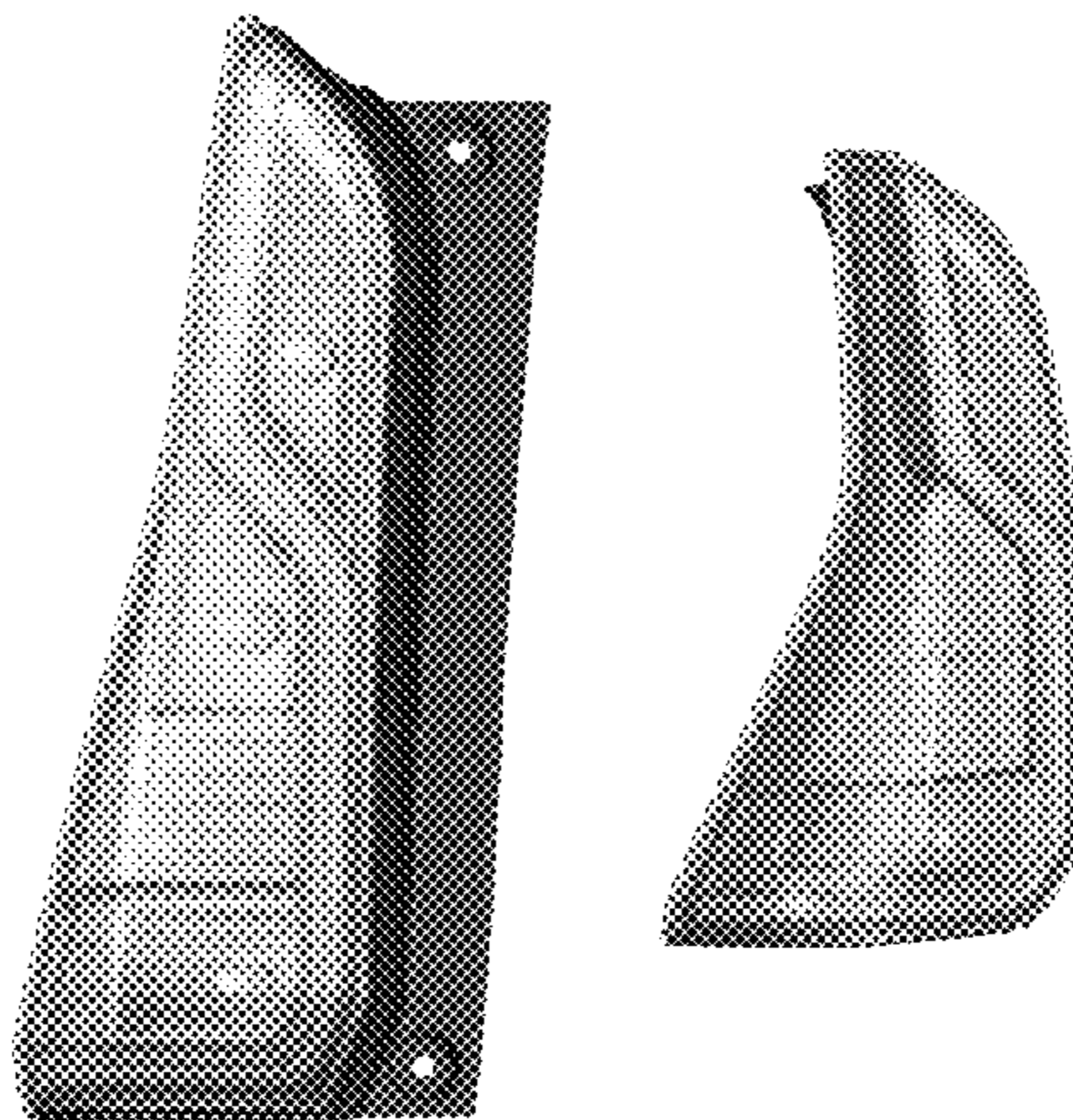
FIG. 7 is a front side perspective view of the rear combination lamp for an automobile in accordance with the first embodiment of our new design of FIGS. 1 to 6.

The rear combination lamp is configured to be mounted to an automobile. The mounting structure and support structure of the rear combination lamp, visible in FIGS. 1 to 7, form no part of the claimed design since the mounting structure and support structure are hidden when the rear combination lamp is mounted to the automobile.

In addition, the appearance of the rear side structures and inside side structures of the rear combination lamp for an automobile as seen in FIGS. 1 to 7 is for purpose of illustrating the boundaries of the exterior surface of the outside of the rear combination lamp for an automobile, and forms no part of the claimed design.

A second embodiment of our new design is identical to the first embodiment except that the second embodiment of our

(Continued)



US D806,918 S

Page 2

new design includes the mirror image of the rear combination lamp for an automobile shown in FIGS. 1 to 7.

1 Claim, 7 Drawing Sheets

(58) Field of Classification Search

CPC F21S 48/00; F21S 48/10; F21S 48/115;
F21S 48/1233; F21S 48/1266; F21S
48/1388; F21S 48/2268; F21V 21/04

See application file for complete search history.

(56) References Cited

U.S. PATENT DOCUMENTS

D625,033 S * 10/2010 Hara D26/28
D637,742 S * 5/2011 Yang D26/28
D717,982 S * 11/2014 Lai D26/28
D731,099 S 6/2015 Thole et al.

D735,911 S 8/2015 O'Donnell et al.
D745,719 S 12/2015 Boniface et al.
D745,725 S 12/2015 McMahan et al.
D747,514 S 1/2016 McMahan et al.
D747,518 S * 1/2016 Lai D26/28
D747,819 S * 1/2016 Thole D26/28
D749,246 S 2/2016 Thole et al.
D749,248 S 2/2016 Schuenemann et al.
D754,895 S * 4/2016 Wheel D26/28

FOREIGN PATENT DOCUMENTS

JP D1403175 S 12/2011
JP D1460147 S 1/2013
JP D1483834 S 11/2013
JP D1499554 S 6/2014
JP D1501262 S 6/2014
JP D1513543 S 12/2014
JP D1526236 S 6/2015
JP D1530640 S 8/2015
JP D1530643 S 8/2015

* cited by examiner

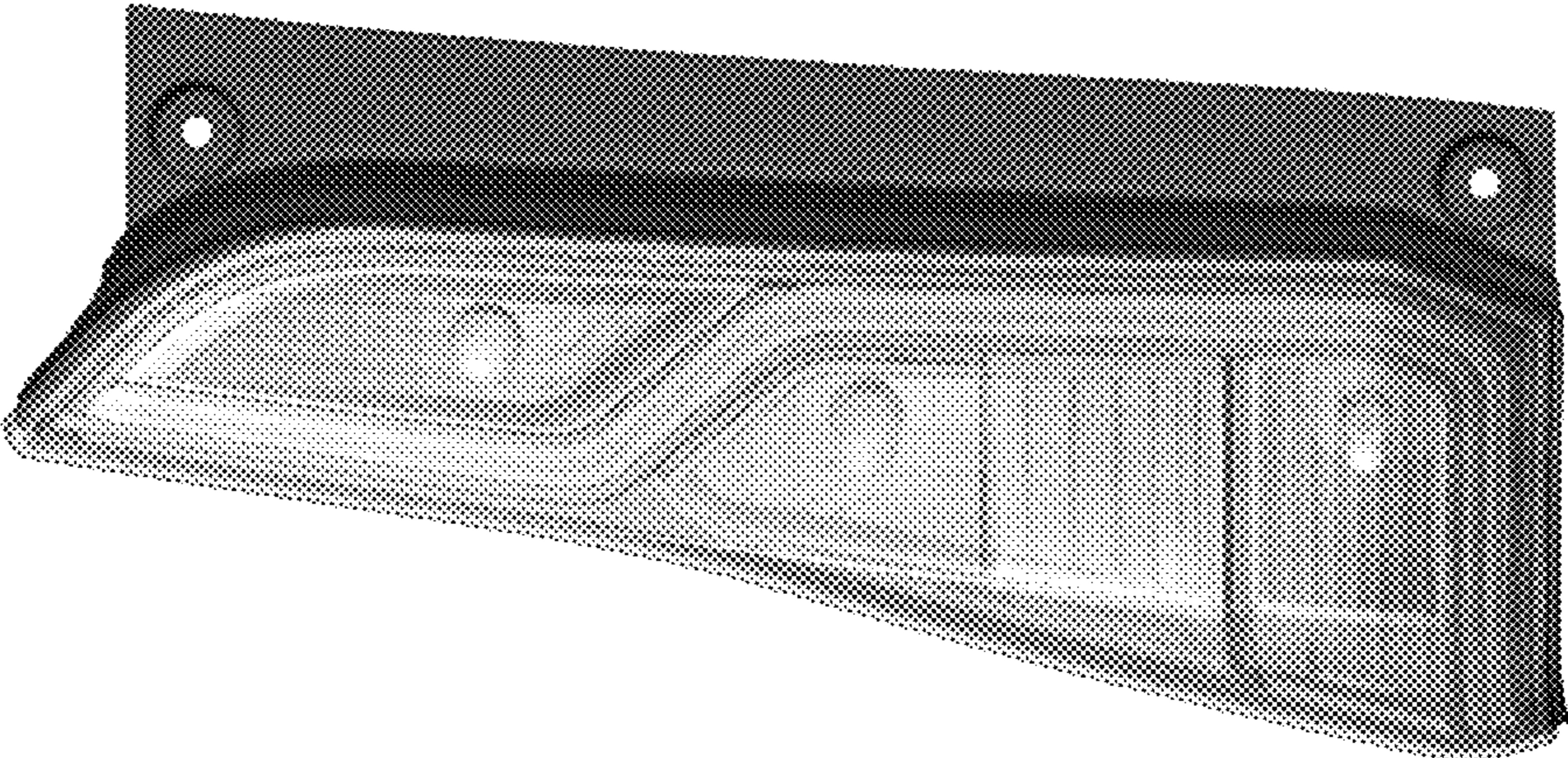


FIG. 1

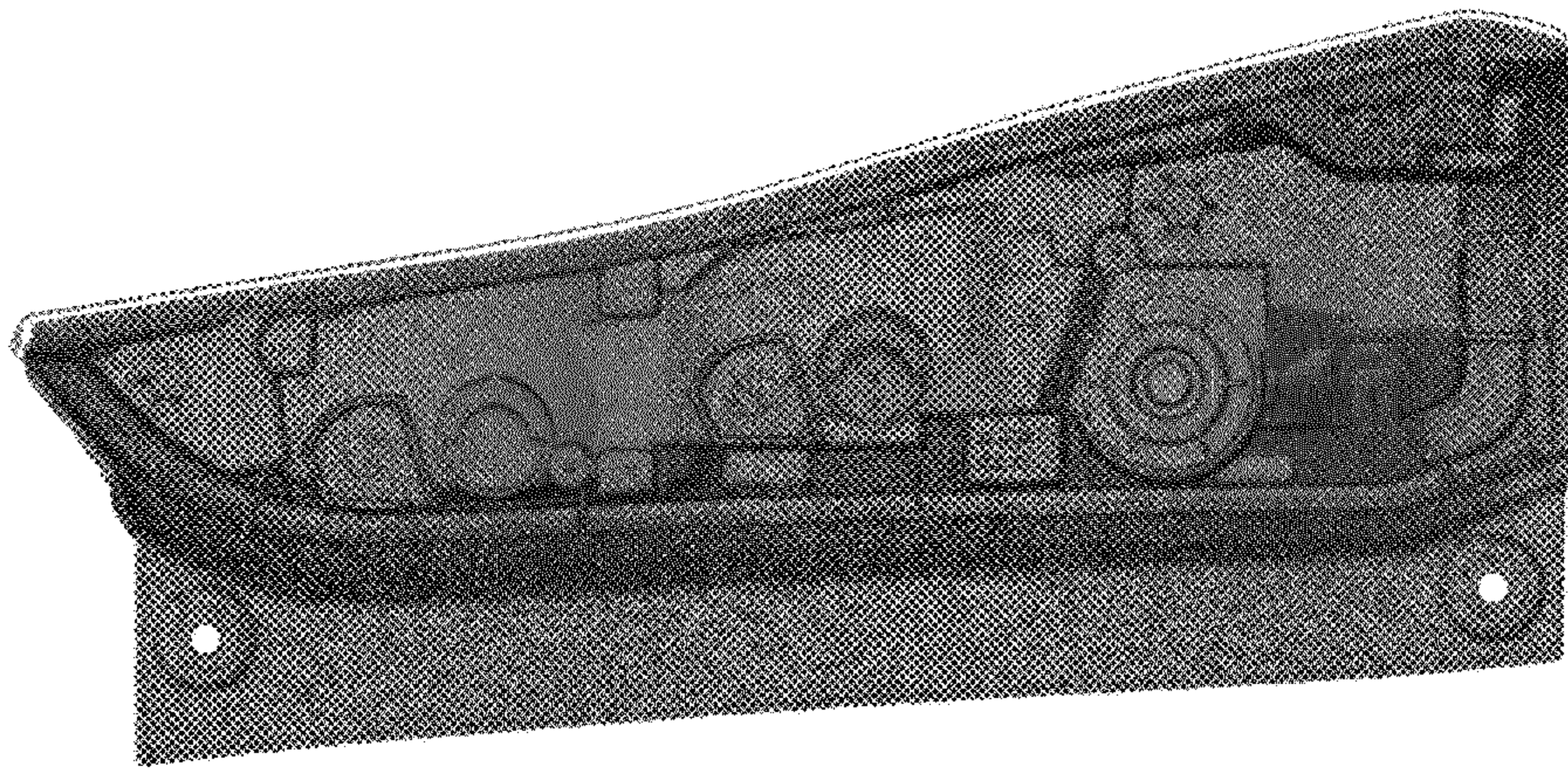


FIG. 2

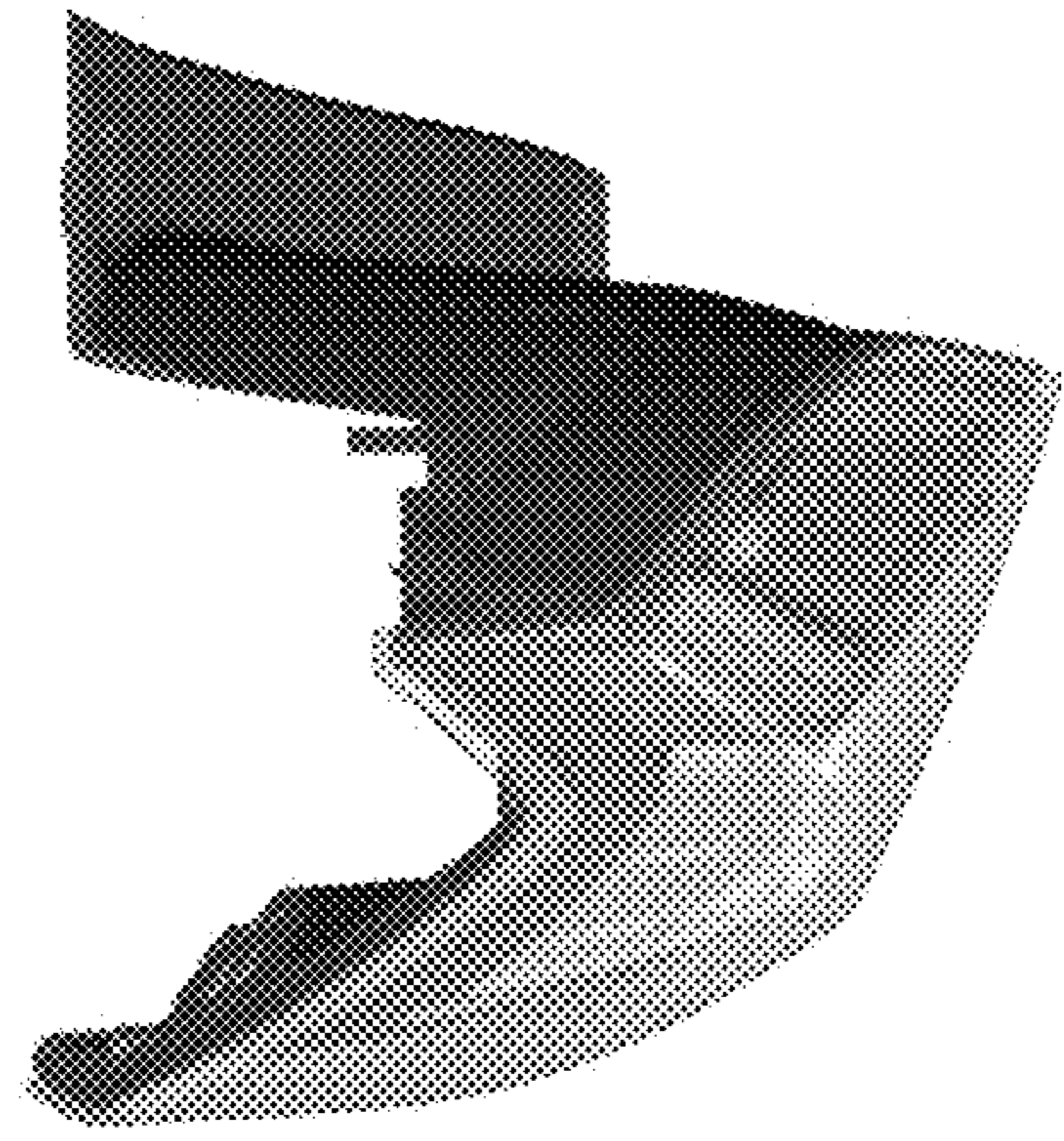


FIG. 3

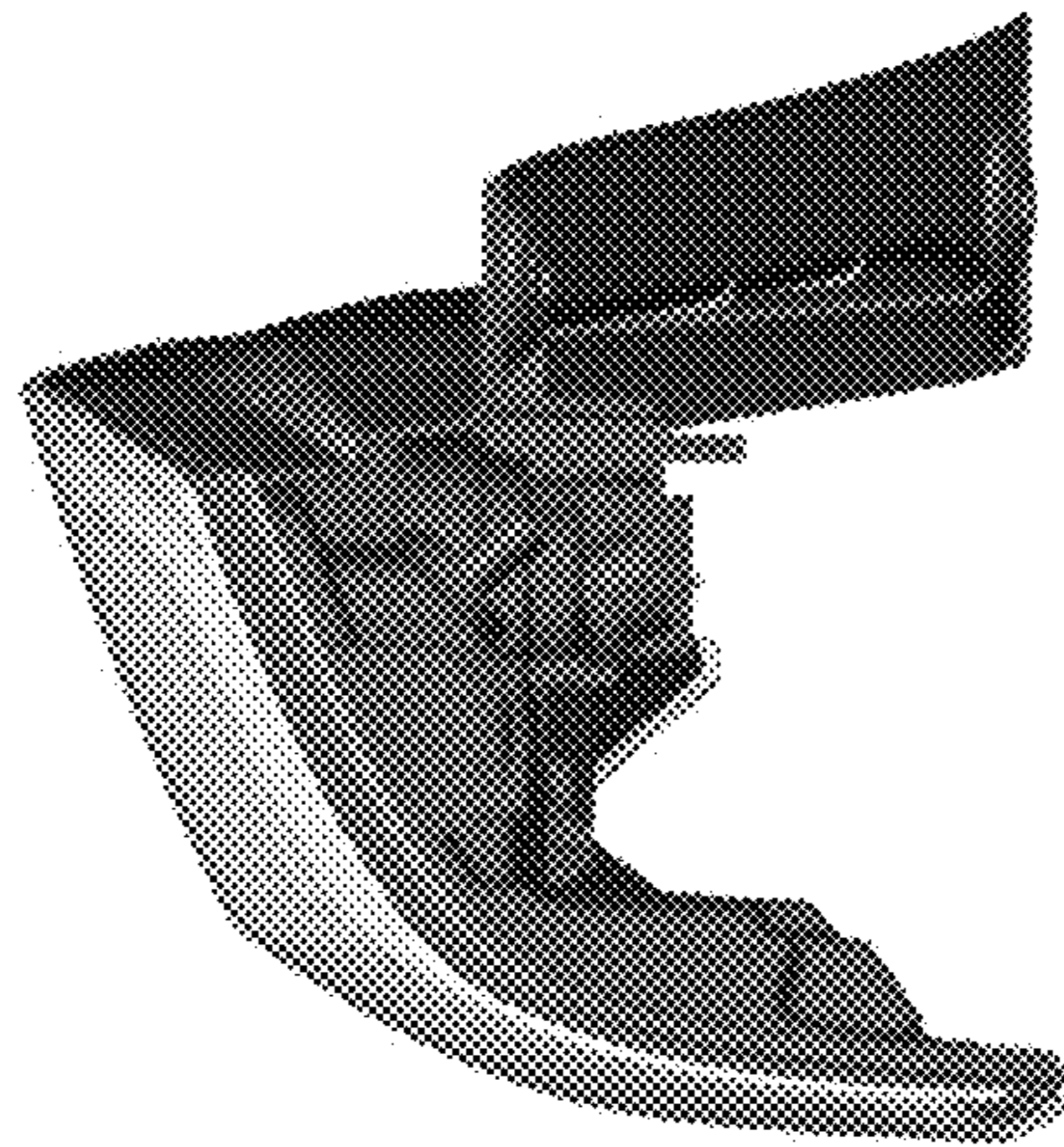


FIG. 4

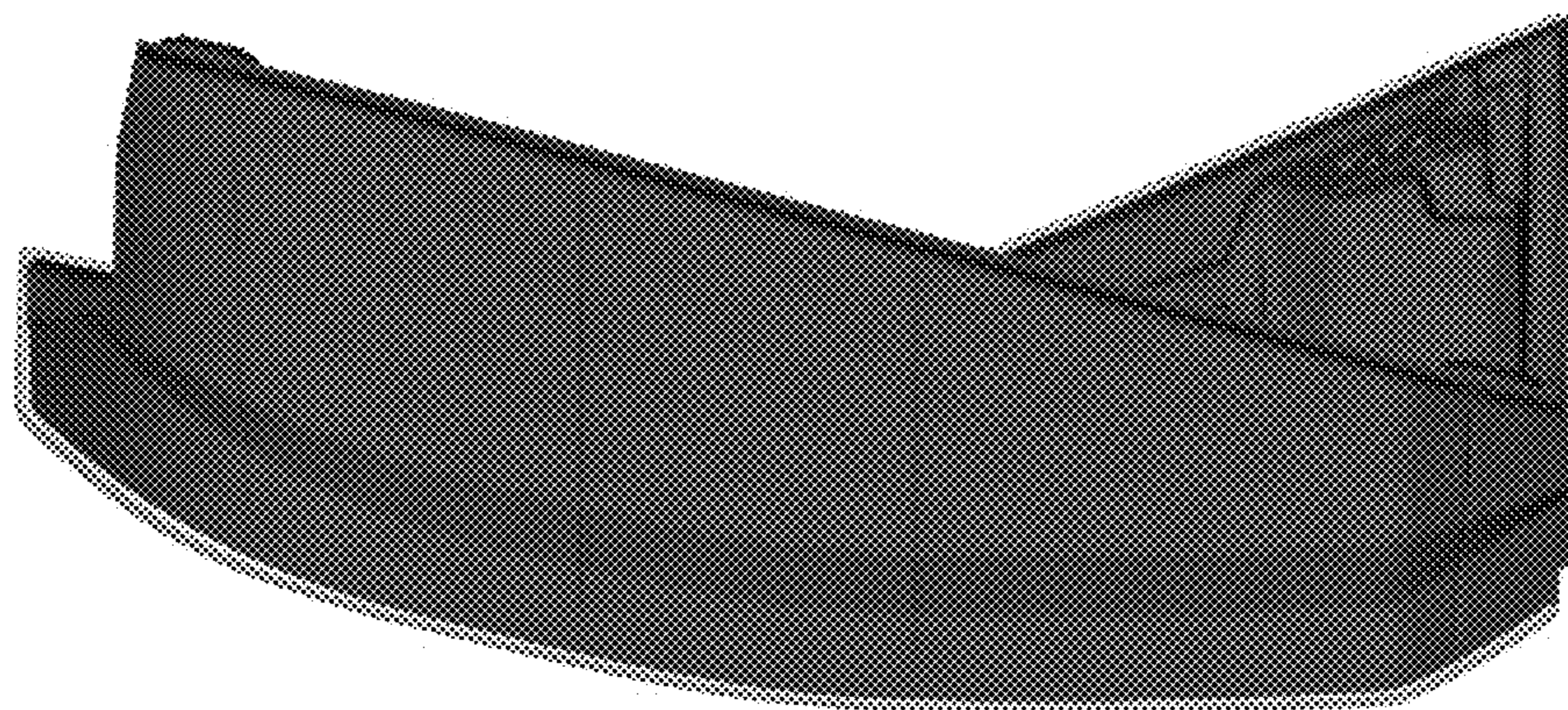


FIG. 5

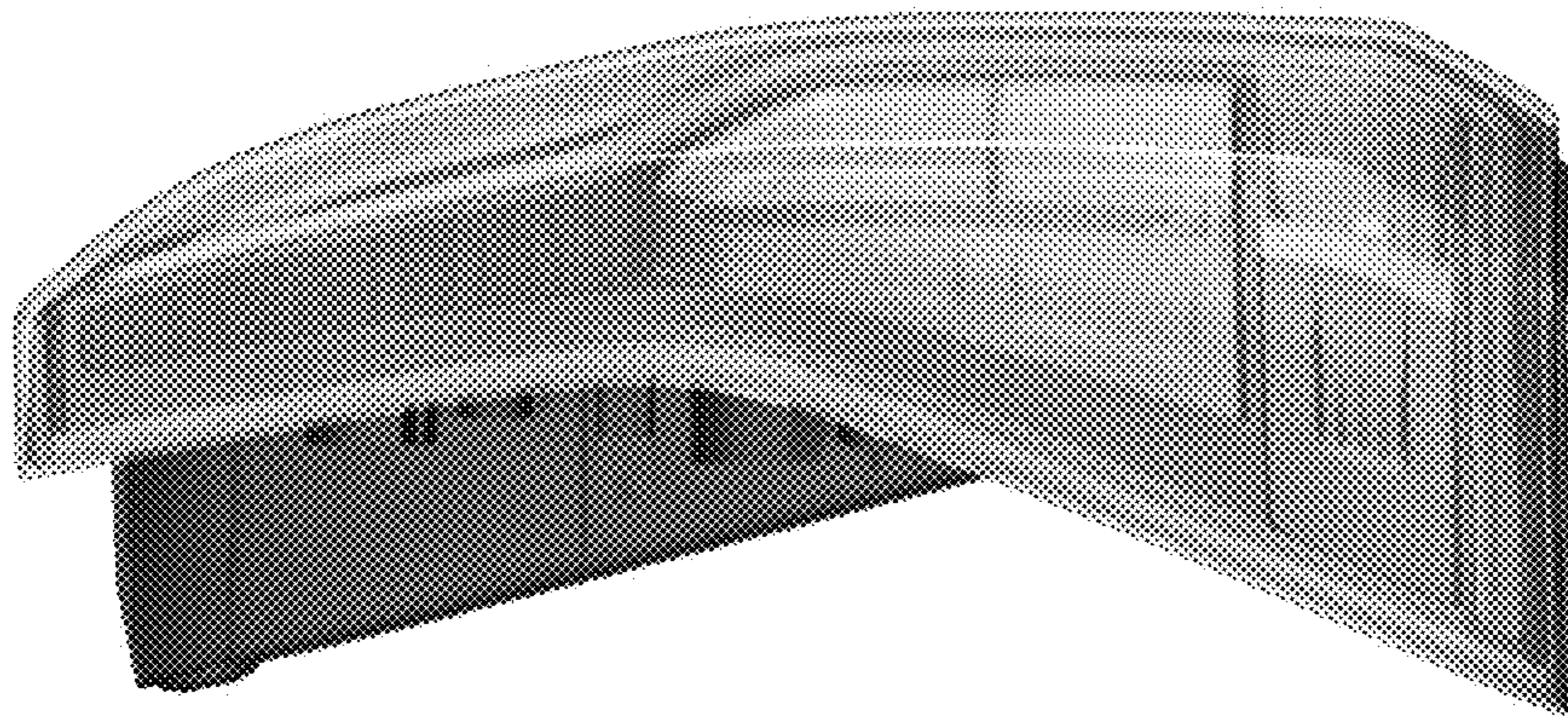


FIG. 6

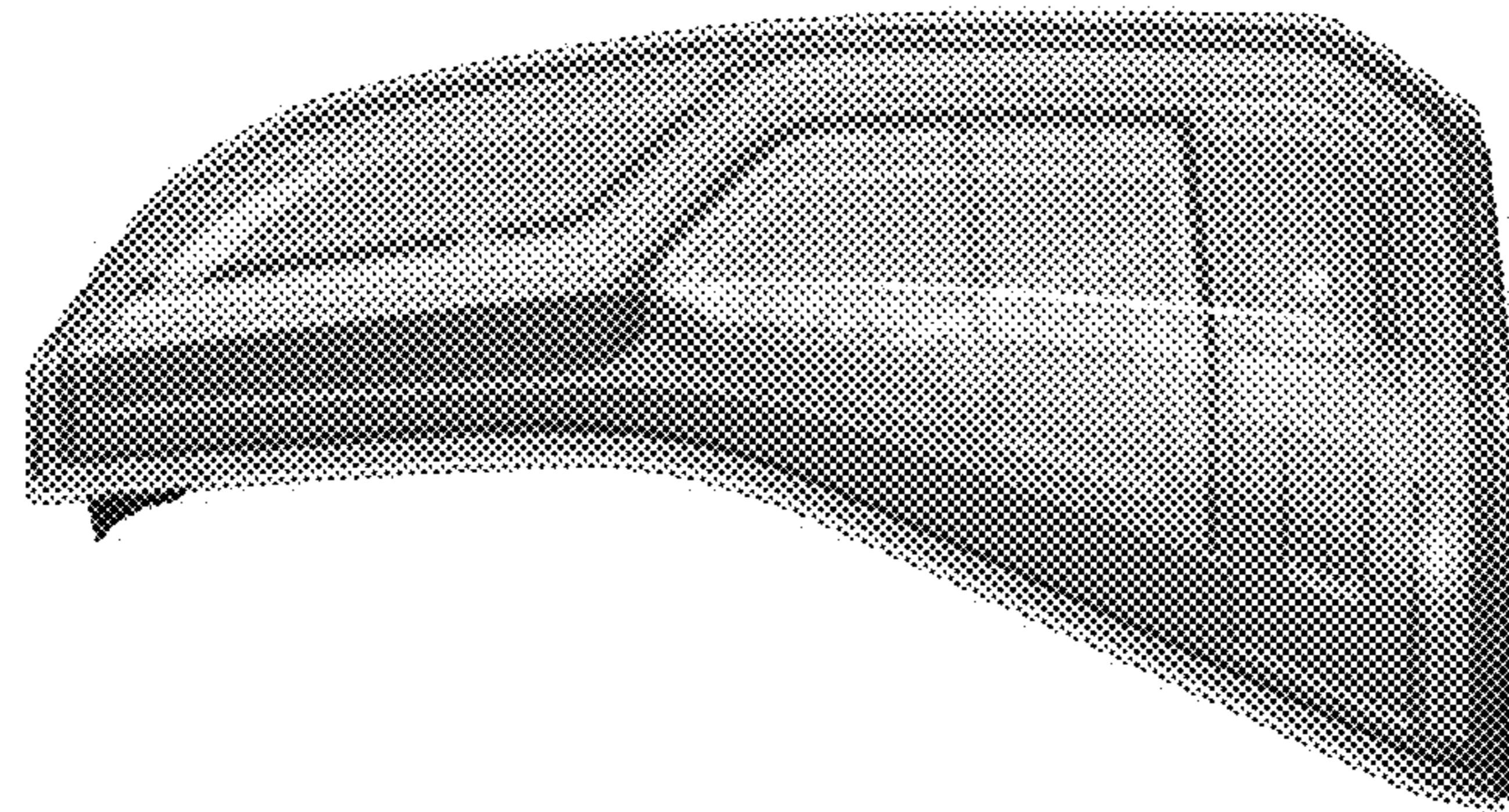


FIG. 7