



US00D806913S

(12) **United States Design Patent** (10) **Patent No.:** **US D806,913 S**
Wang et al. (45) **Date of Patent:** **** Jan. 2, 2018**

(54) **HIGH LUMEN BULB**

CPC F21K 9/135; F21K 9/1375; F21K 9/13
See application file for complete search history.

(71) Applicant: **PHILIPS LIGHTING HOLDING B.V.**, Eindhoven (NL)

(56) **References Cited**

(72) Inventors: **Sherry Wang**, Shanghai (CN); **Yong Jun Yj Hwang**, Shanghai (CN); **Thijmen Galekop**, Shanghai (CN)

U.S. PATENT DOCUMENTS

(73) Assignee: **PHILIPS LIGHTING HOLDING B.V.**, Eindhoven (NL)

D739,967 S *	9/2015	Qin	D26/2
D743,586 S *	11/2015	Bosua	D26/2
D750,287 S *	2/2016	Cai	D26/2
D759,270 S *	6/2016	Cai	D26/2
D759,858 S *	6/2016	Li	D26/2
D780,956 S *	3/2017	Kwong	D26/2
D794,838 S *	8/2017	Chang	D26/2

(**) Term: **15 Years**

* cited by examiner

(21) Appl. No.: **35/501,528**

Primary Examiner — Zenia Bennett

(22) Filed: **Aug. 10, 2016**

(80) **Hague Agreement Data**

(57) **CLAIM**

Int. Filing Date: **Aug. 10, 2016**
Int. Reg. No.: **DM/092323**
Int. Reg. Date: **Aug. 10, 2016**
Int. Reg. Pub. Date: **Sep. 9, 2016**

The ornamental design for a high lumen bulb, as shown and described.

(30) **Foreign Application Priority Data**

DESCRIPTION

Mar. 3, 2016 (EM) 003010966

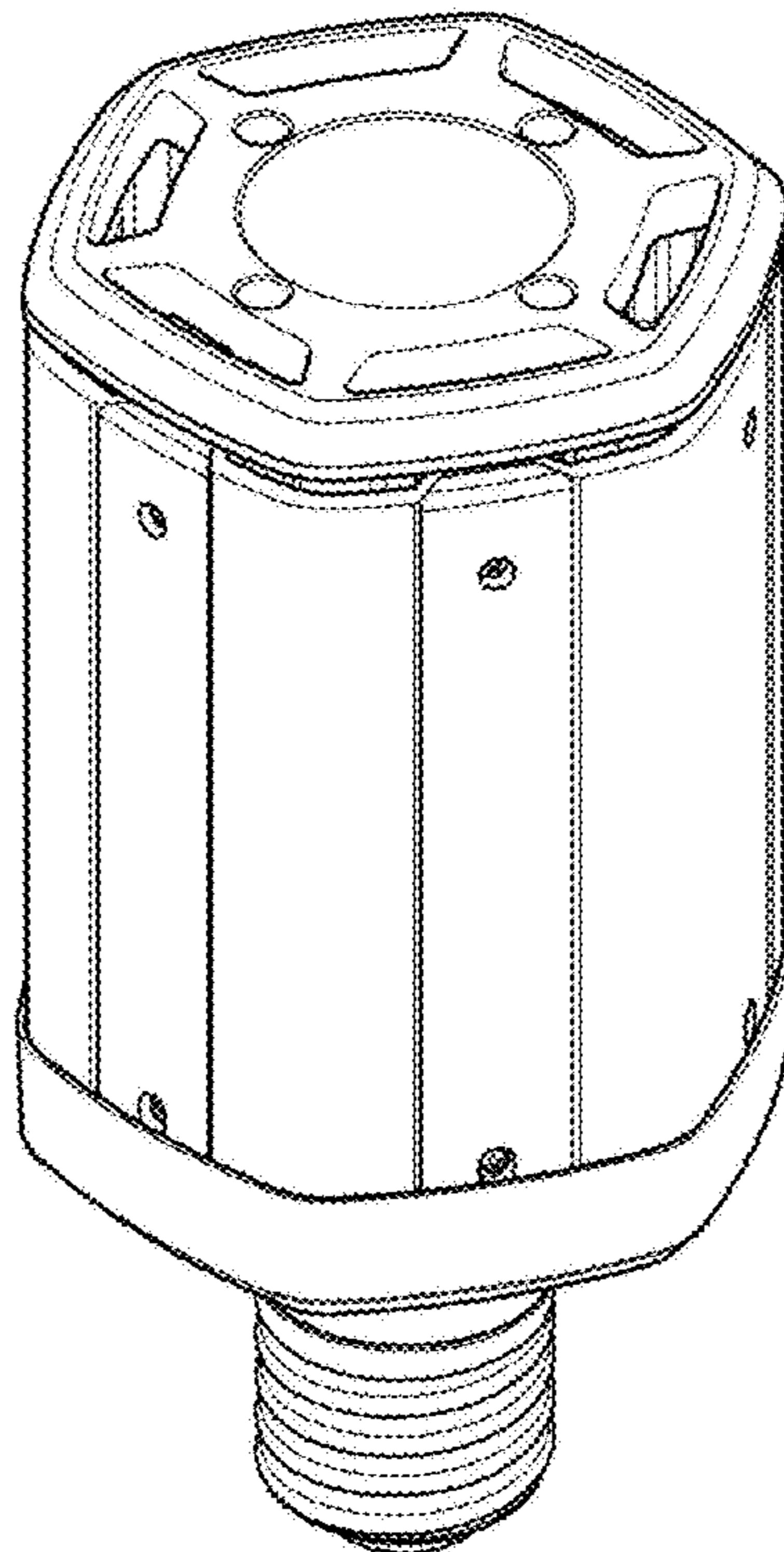
(51) **LOC (11) Cl.** **26-04**

(52) **U.S. Cl.**
USPC **D26/2**

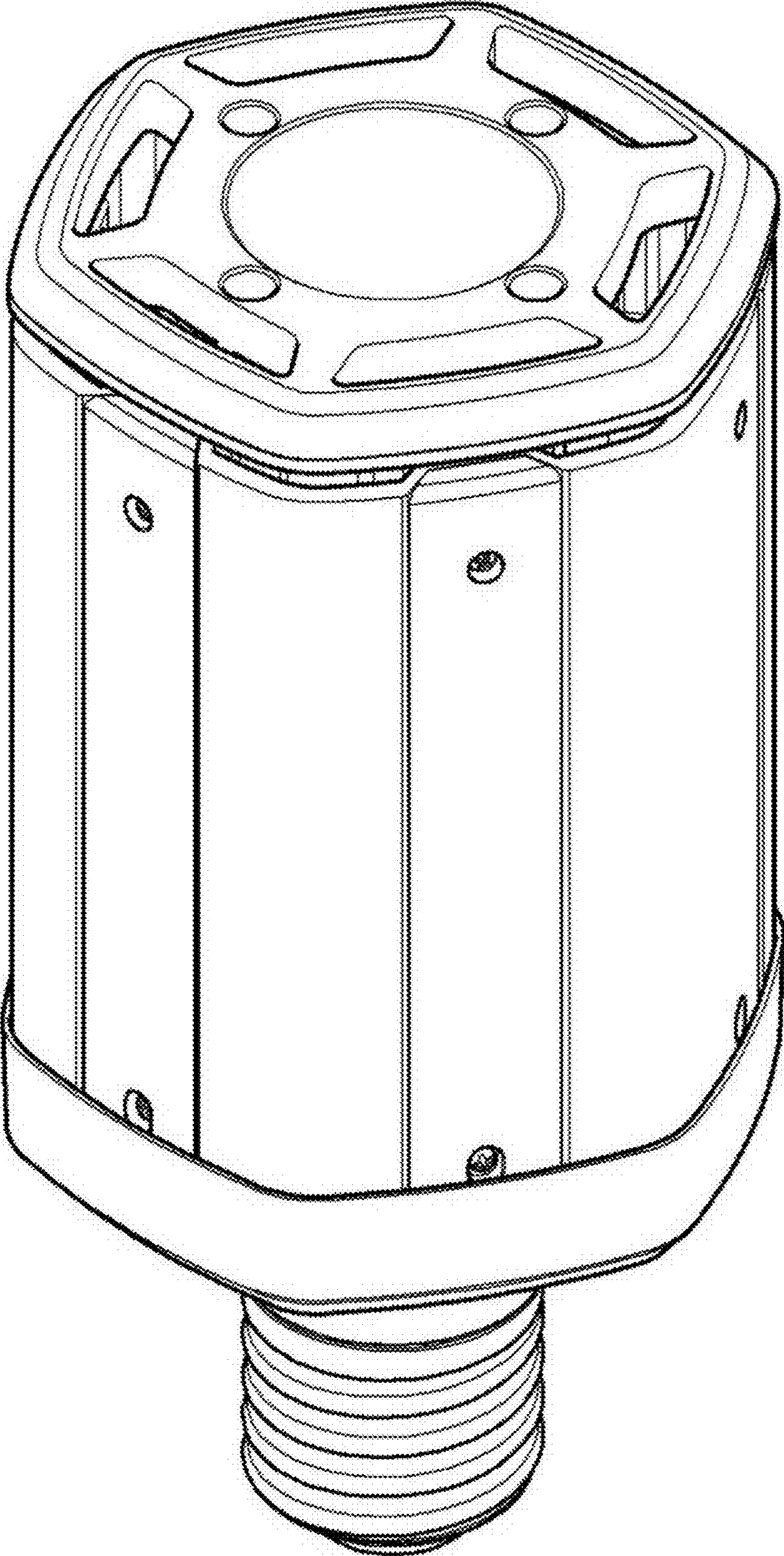
(58) **Field of Classification Search**
USPC D26/1-4, 113, 118; D13/179

- 1. High lumen bulb
- 1.1 : Perspective
- 1.2 : Front
- 1.3 : Back
- 1.4 : Right
- 1.5 : Left
- 1.6 : Top
- 1.7 : Bottom

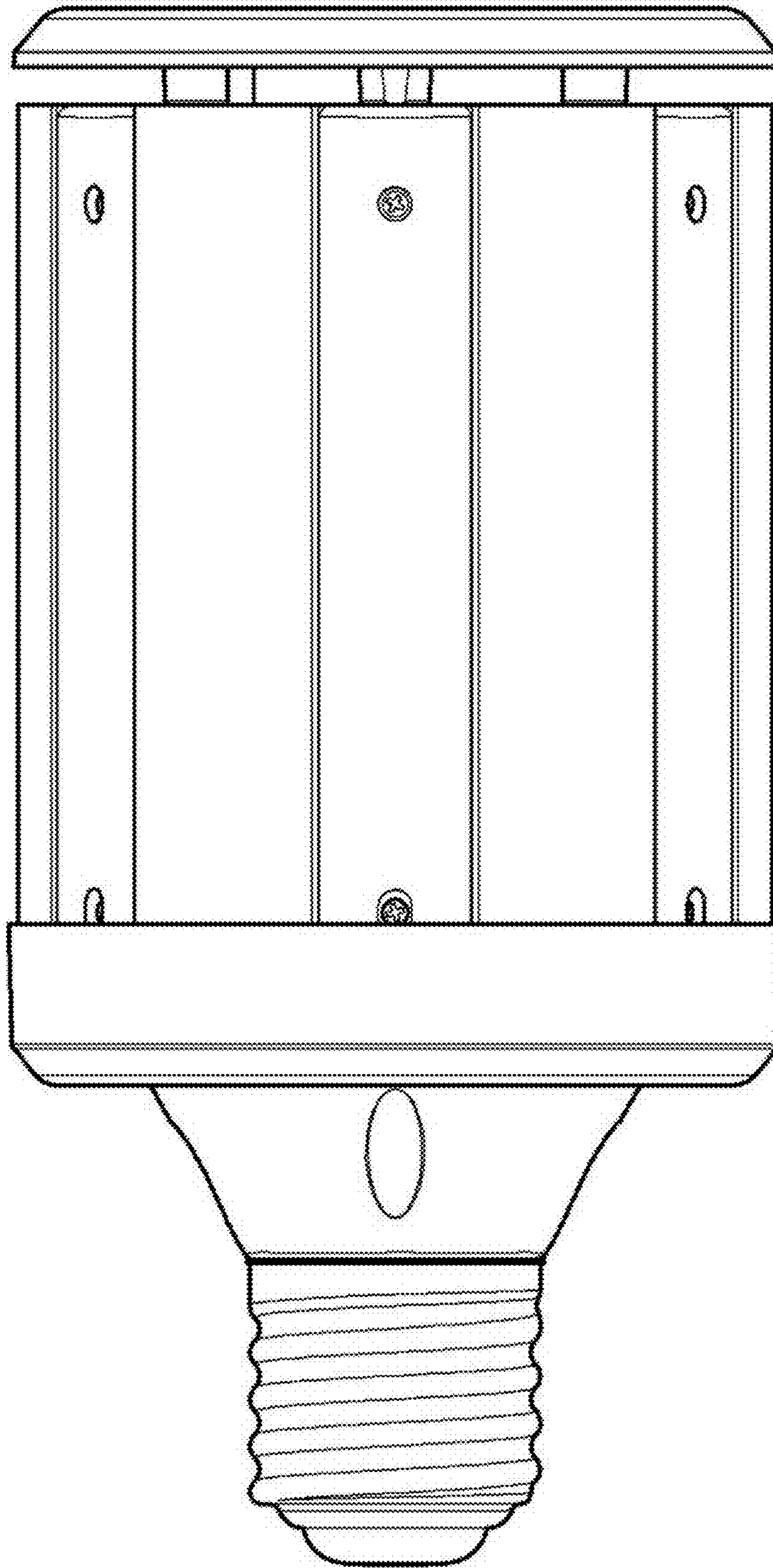
1 Claim, 7 Drawing Sheets



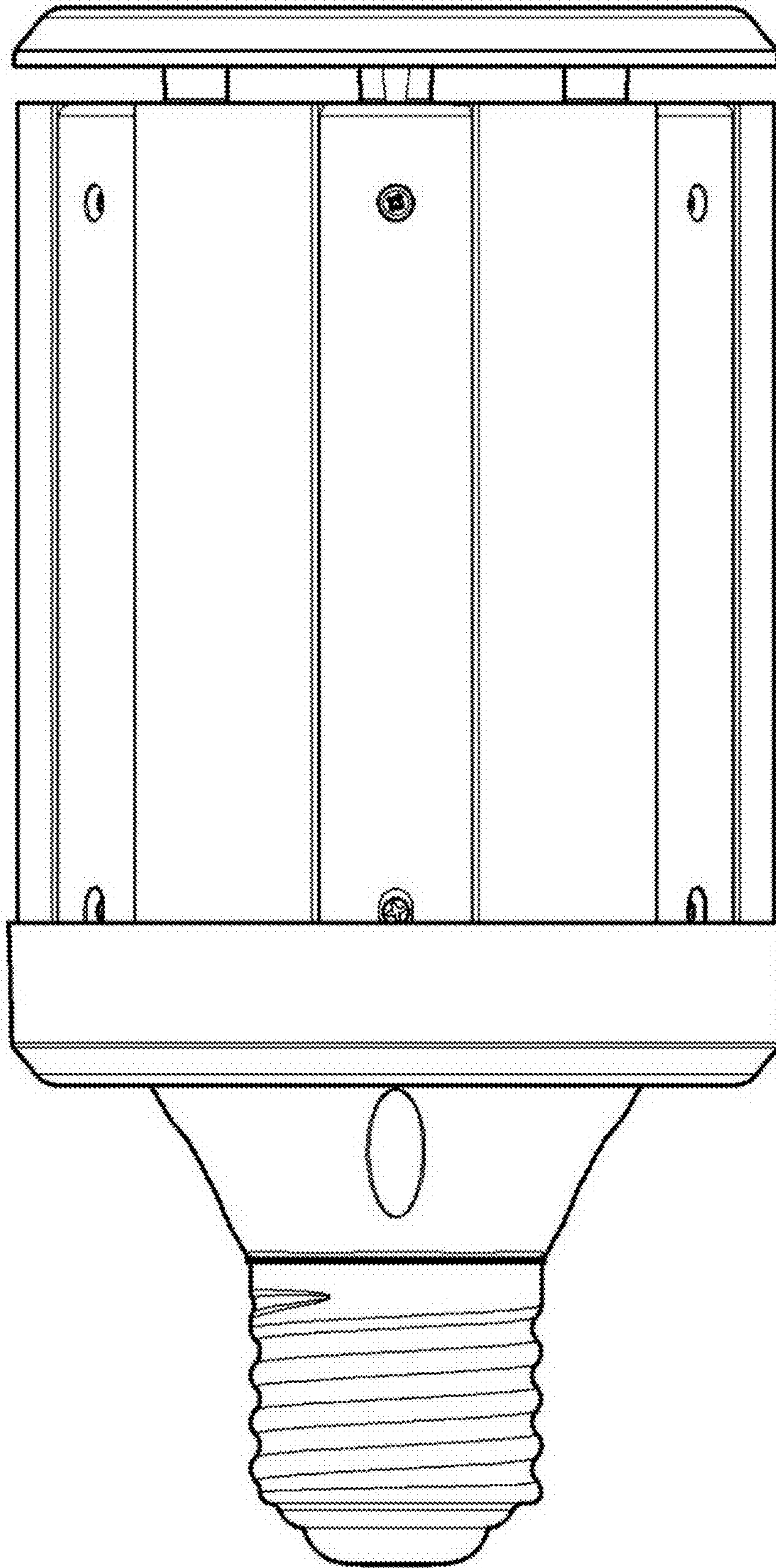
1.1



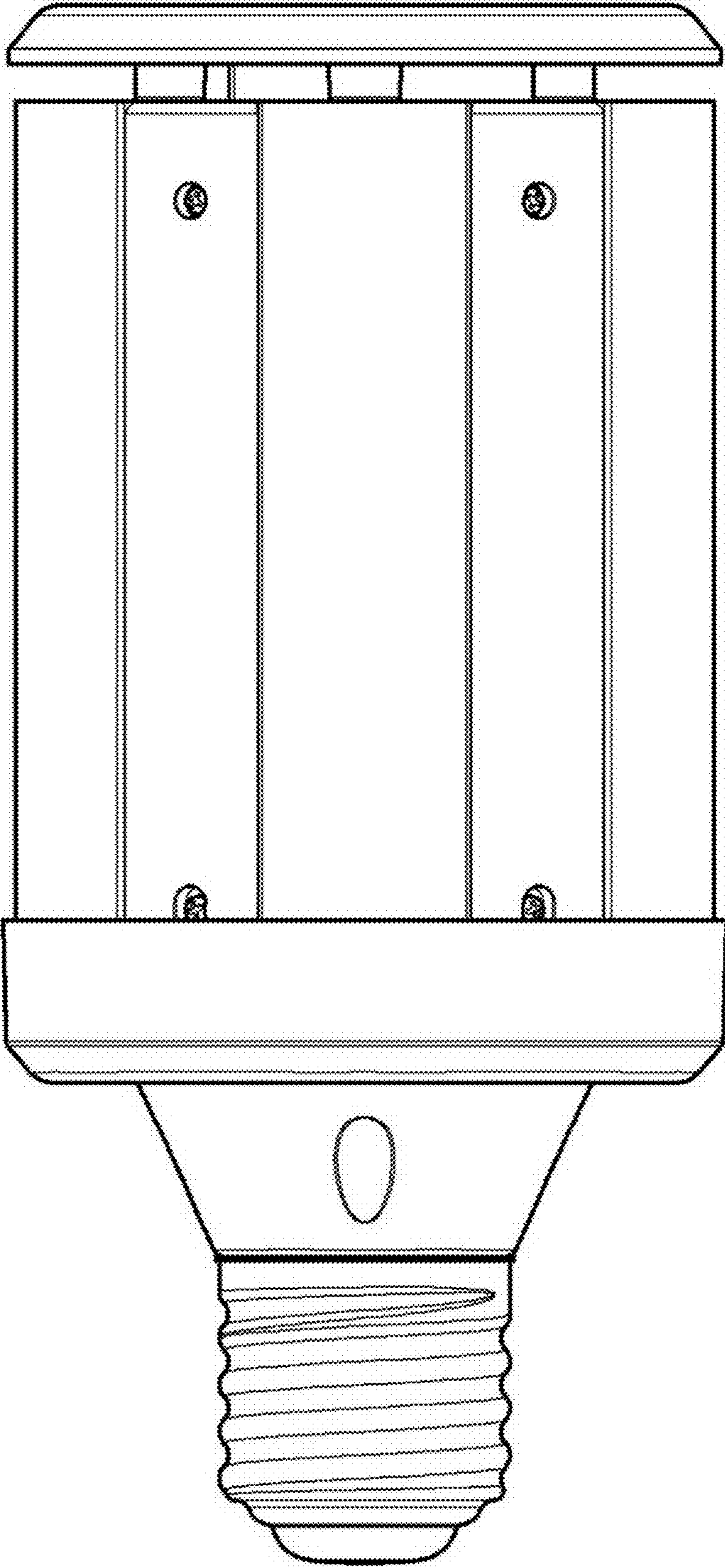
1.2



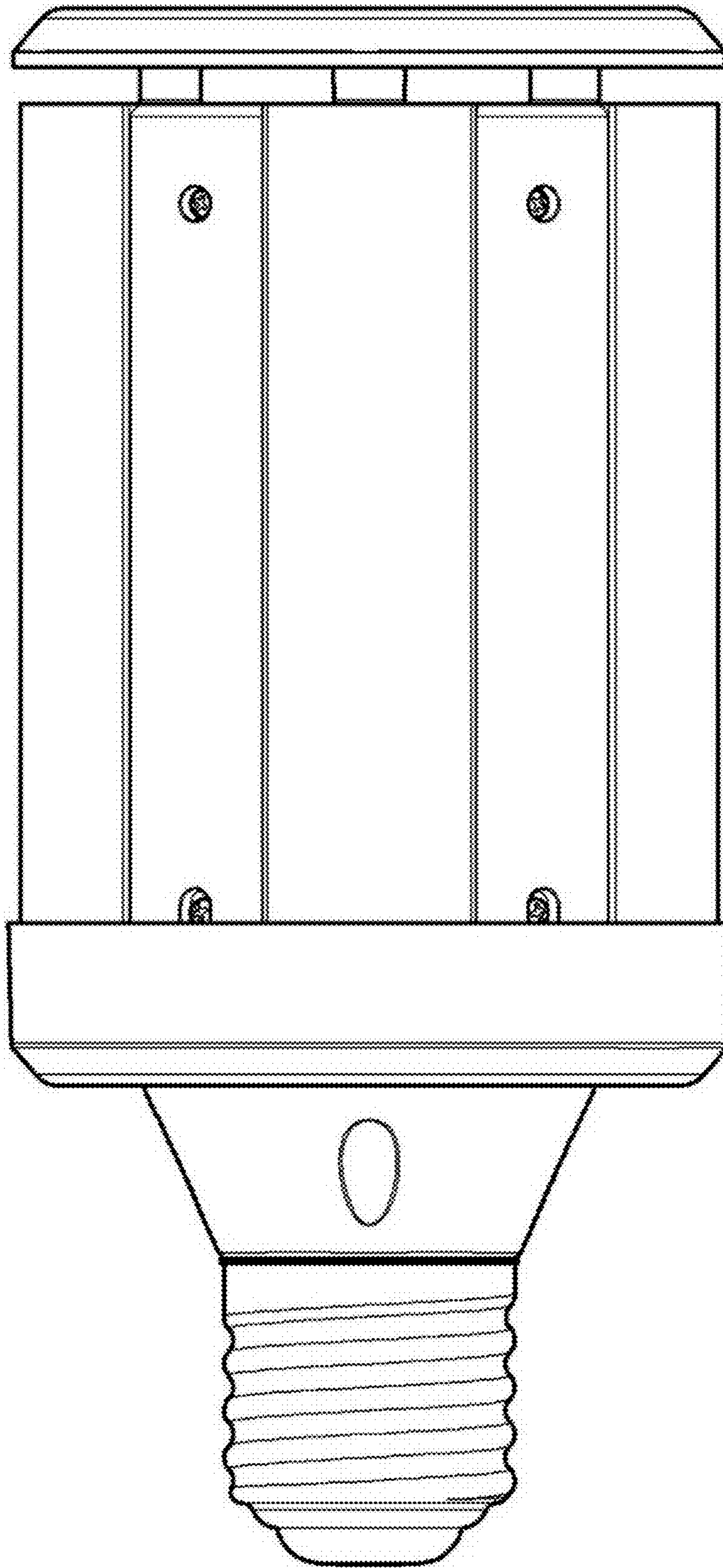
1.3



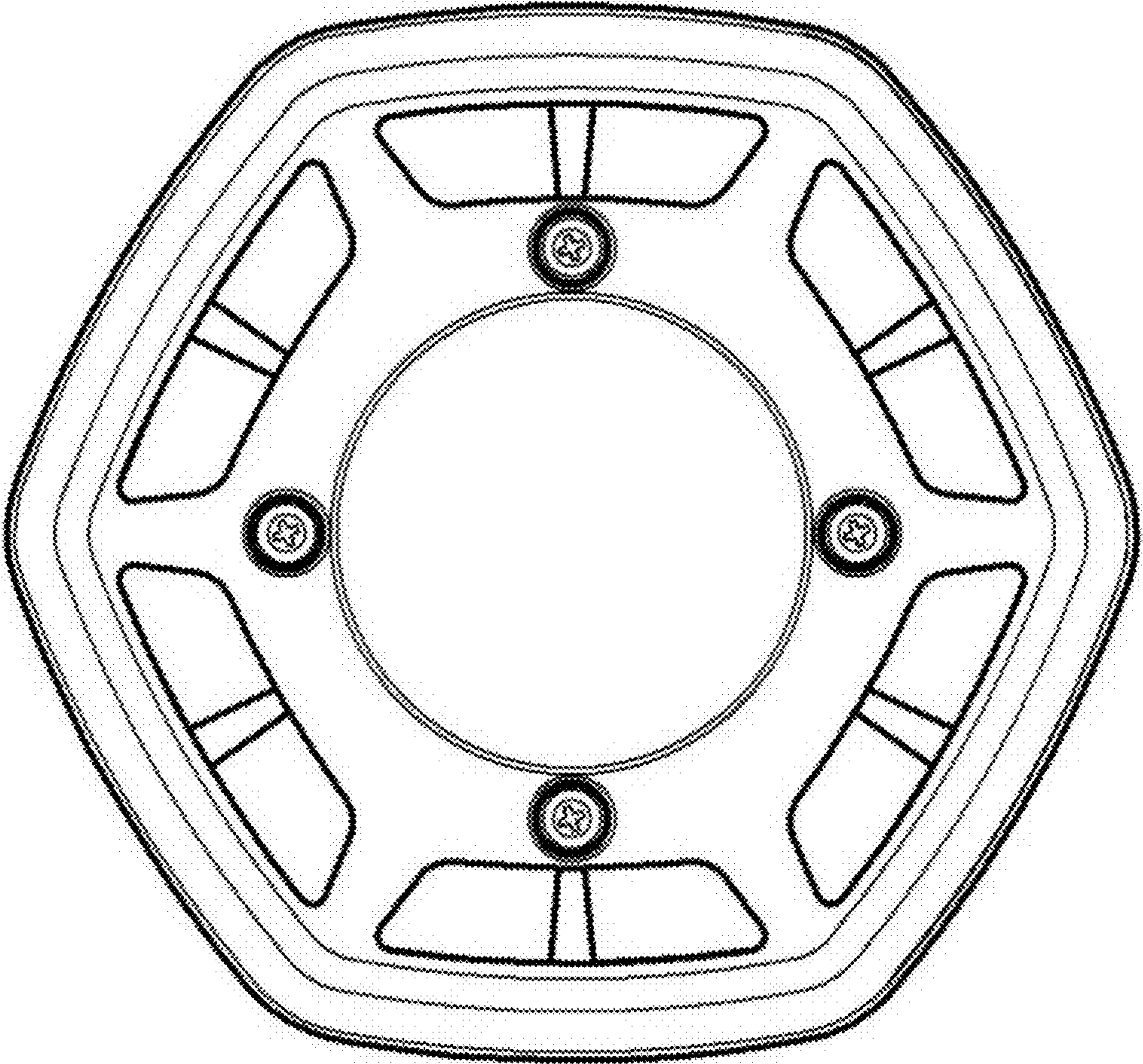
1.4



1.5



1.6



1.7

