



US00D806906S

(12) **United States Design Patent**  
**Kitajima**

(10) **Patent No.:** **US D806,906 S**  
(45) **Date of Patent:** **\*\* Jan. 2, 2018**

(54) **DECORATIVE PANEL**  
(71) Applicant: **OKAMURA CORPORATION**,  
Yokohama-shi, Kanagawa (JP)  
(72) Inventor: **Haruhiko Kitajima**, Yokohama (JP)  
(73) Assignee: **Okamura Corporation**, Yokohama-shi  
(JP)  
(\*\*) Term: **15 Years**

D299,873 S \* 2/1989 Jennings ..... D25/157  
D299,971 S \* 2/1989 Gilbert ..... D25/138  
D316,609 S \* 4/1991 Stocca ..... D25/138  
5,501,888 A \* 3/1996 Hanson ..... B44C 5/08  
156/100  
D464,737 S \* 10/2002 Gulbrandsen ..... D25/58  
D571,936 S \* 6/2008 Juhasz ..... D25/157  
D645,980 S \* 9/2011 Schrom ..... D25/113  
D668,790 S \* 10/2012 Walsh ..... D25/111  
D695,419 S \* 12/2013 Groening ..... D25/103  
D725,293 S \* 3/2015 Walsh ..... D25/111  
D753,845 S \* 4/2016 Walsh ..... D25/103

\* cited by examiner

(21) Appl. No.: **29/541,691**

*Primary Examiner* — Susan Bennett Hattan

(22) Filed: **Oct. 7, 2015**

*Assistant Examiner* — Camelia H Styles

(30) **Foreign Application Priority Data**

(74) *Attorney, Agent, or Firm* — Sughrue Mion, PLLC

Apr. 10, 2015 (JP) ..... 2015-008117

(51) **LOC (11) Cl.** ..... **25-01**

(52) **U.S. Cl.**  
USPC ..... **D25/138**

(58) **Field of Classification Search**  
USPC ..... D5/1-3, 5, 8, 11-12, 15-16, 24, 29, 32,  
D5/43, 47, 53, 54, 58; D25/48.5, 58,  
D25/103, 138, 150, 157, 158  
CPC ... B44C 5/00; B44C 5/08; E06B 3/685; E04B  
1/34; E04B 1/3416; E04B 1/8409; E04B  
7/10; E04B 7/107; E04D 3/30  
See application file for complete search history.

(56) **References Cited**

**U.S. PATENT DOCUMENTS**

D151,799 S \* 11/1948 Sutter ..... D25/108  
D249,966 S \* 10/1978 Marquis ..... D25/161

(57) **CLAIM**

The ornamental design for a decorative panel, as shown and described.

**DESCRIPTION**

FIG. 1 is a perspective view of a decorative panel.  
FIG. 2 is a front elevation view thereof. A rear elevation view is identical to the front elevation view.  
FIG. 3 is a right side elevation view thereof. A left side elevation view is identical to the right side elevation view.  
FIG. 4 is a top plan view thereof.  
FIG. 5 is a bottom plan view thereof.  
FIG. 6 is a cross-sectional view taken along the line 6-6 in FIG. 4; and,  
FIG. 7 is a referential perspective view showing use thereof. The broken lines in FIG. 7 depict unclaimed environment and form no part of the claimed design.

**1 Claim, 7 Drawing Sheets**

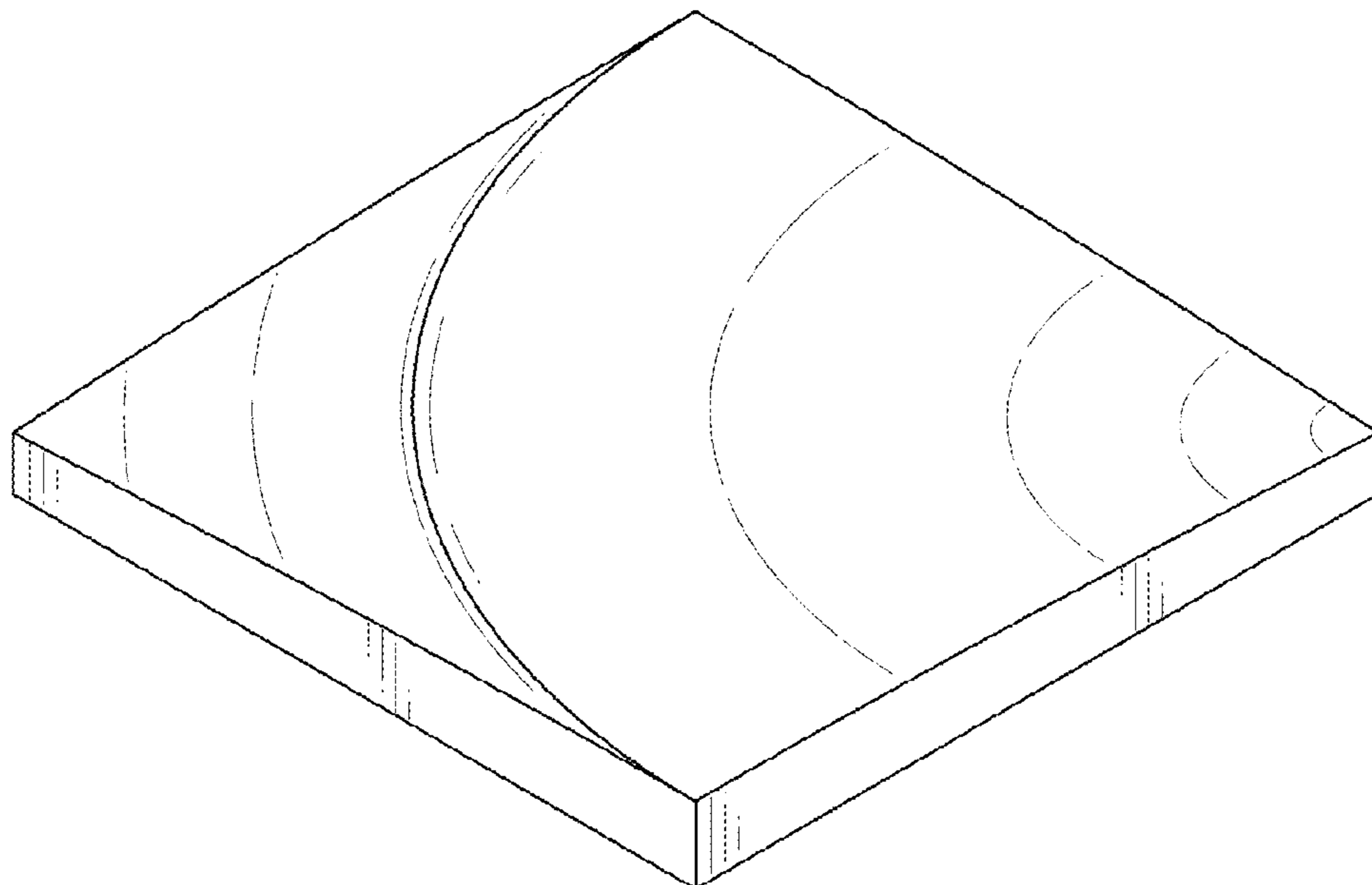


FIG. 1

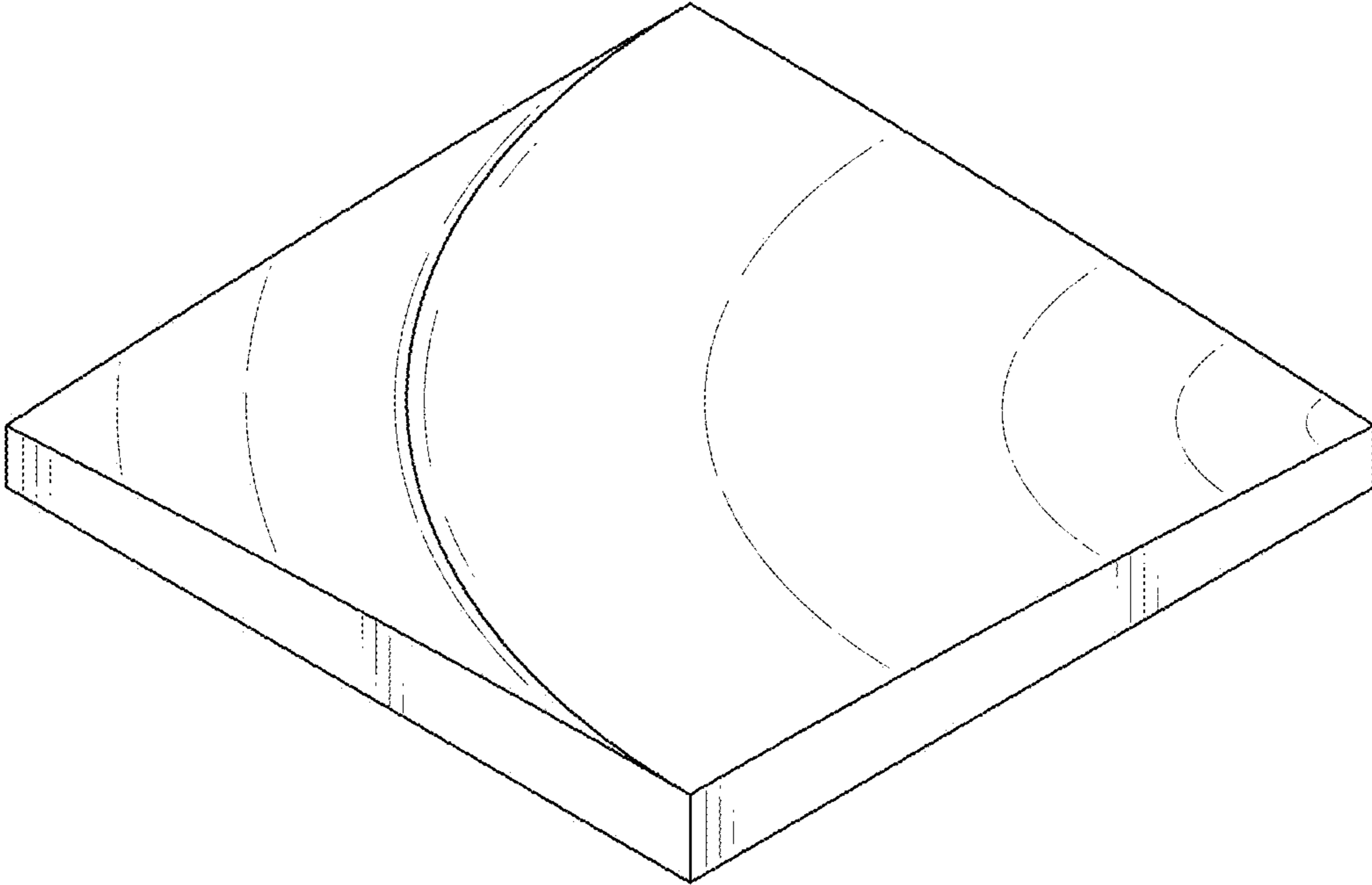


FIG. 2



FIG. 3



FIG. 4

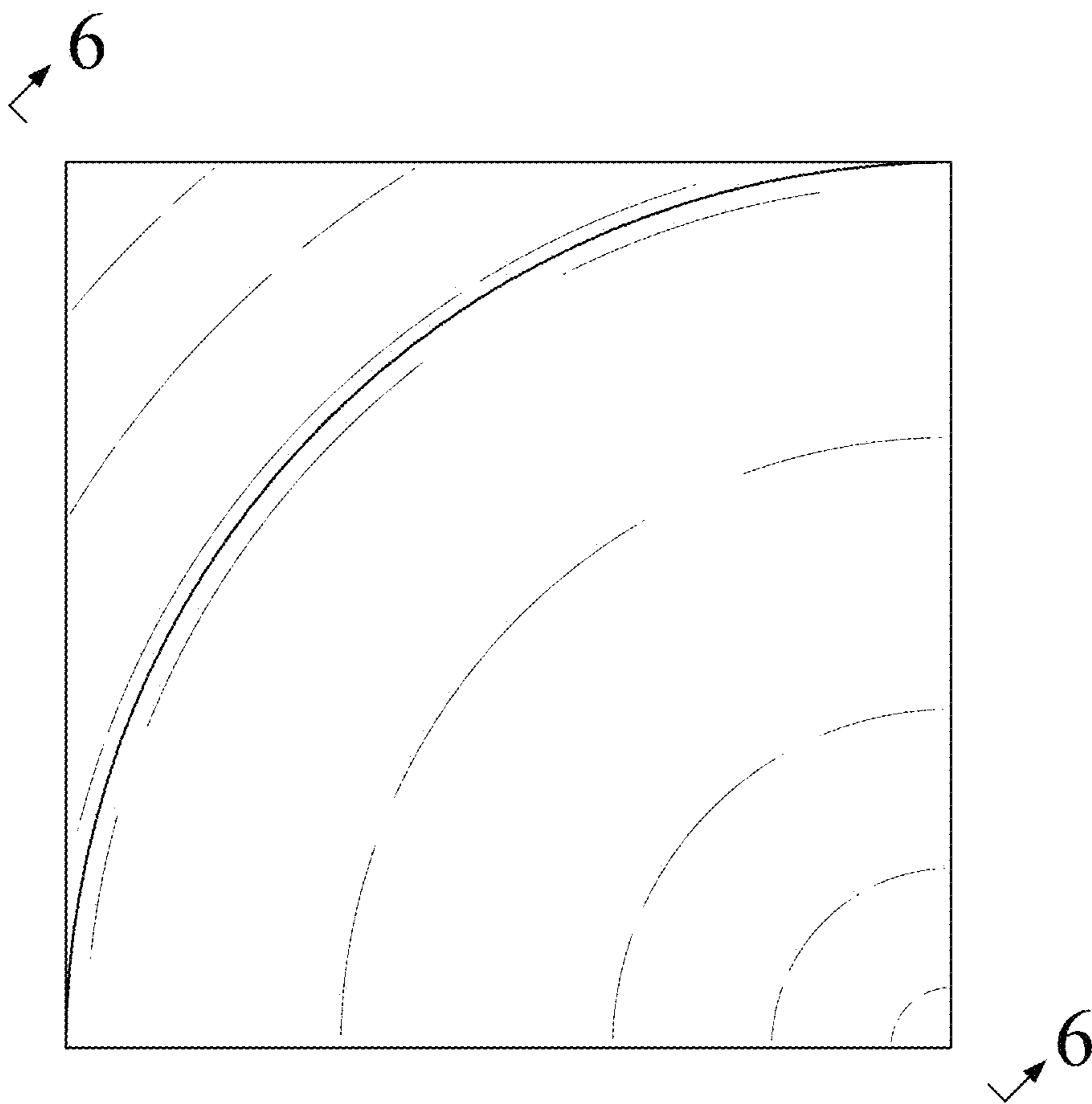


FIG. 5

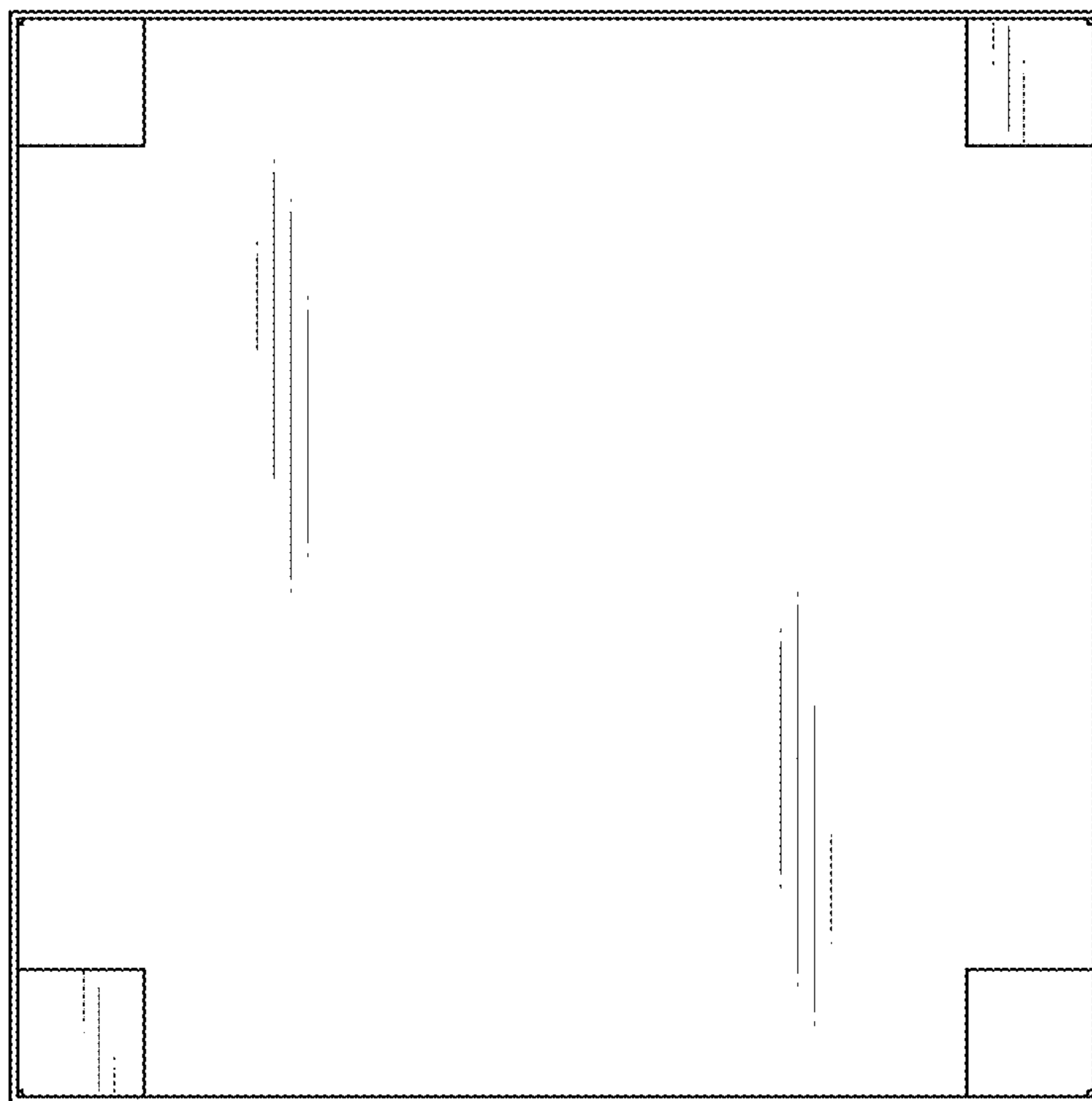


FIG. 6

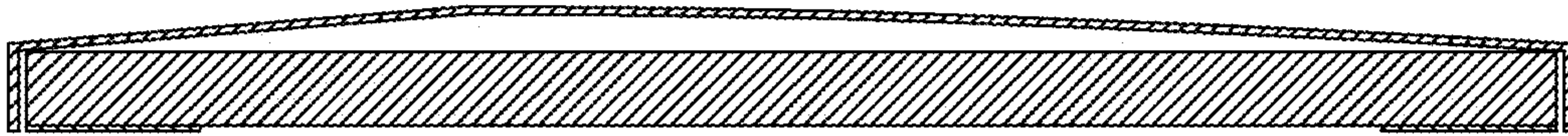


FIG. 7

