



US00D806905S

(12) **United States Design Patent**
Kitajima

(10) **Patent No.:** **US D806,905 S**

(45) **Date of Patent:** **** Jan. 2, 2018**

(54) **DECORATIVE PANEL**

(71) Applicant: **OKAMURA CORPORATION**,
Yokohama-shi, Kanagawa (JP)

(72) Inventor: **Haruhiko Kitajima**, Yokohama (JP)

(73) Assignee: **Okamura Corporation**, Yokohama-shi
(JP)

(**) Term: **15 Years**

(21) Appl. No.: **29/541,690**

(22) Filed: **Oct. 7, 2015**

(30) **Foreign Application Priority Data**

Apr. 10, 2015 (JP) 2015-008119

(51) **LOC (11) Cl.** **25-01**

(52) **U.S. Cl.**
USPC **D25/138**

(58) **Field of Classification Search**
USPC D5/1-3, 5, 8, 11-12, 15-16, 24, 29, 32,
D5/43, 47, 53, 54, 58; D25/48.5, 58,
D25/103, 138, 139, 140, 149, 150, 157,
D25/158, 163
CPC ... B44C 5/00; B44C 5/08; E06B 3/685; E04B
1/34; E04B 1/3416; E04B 1/8409; E04B
7/10; E04B 7/107; E04D 3/30
See application file for complete search history.

(56) **References Cited**

U.S. PATENT DOCUMENTS

- 3,143,194 A * 8/1964 Hart E04B 1/32
428/180
- 3,266,201 A * 8/1966 Christ-Janer E04B 1/3416
52/11
- 3,893,277 A * 7/1975 Constant E04B 7/107
52/630

- D257,742 S * 12/1980 Gerlach D25/157
- 4,753,054 A * 6/1988 Butler A01G 9/1415
47/17
- D739,558 S * 9/2015 Oehl D25/58
- D760,918 S * 7/2016 Bilge D25/138
- D760,920 S * 7/2016 Bilge D25/138

OTHER PUBLICATIONS

[Houzz=https://www.houzz.com/photos/54796231/Uttermost-04052-Maxton-Multi-Faceted-Panels-Set-of-3-contemporary-wall-panels] May 2016.*

* cited by examiner

Primary Examiner — Susan Bennett Hattan

Assistant Examiner — Camelia H Styles

(74) *Attorney, Agent, or Firm* — Sughrue Mion, PLLC

(57) **CLAIM**

The ornamental design for a decorative panel, as shown and described.

DESCRIPTION

FIG. 1 is a perspective view of a decorative panel.
 FIG. 2 is a front elevation view thereof.
 FIG. 3 is a rear elevation view thereof.
 FIG. 4 is a right side elevation view thereof. A left side elevation view is a mirror image of the right side elevation view.
 FIG. 5 is a top plan view thereof.
 FIG. 6 is a bottom plan view thereof.
 FIG. 7 is a cross-sectional view taken along the line 7-7 in FIG. 5; and,
 FIG. 8 is a referential perspective view showing use thereof. The broken lines in FIG. 8 depict unclaimed environment and form no part of the claimed design.

1 Claim, 8 Drawing Sheets

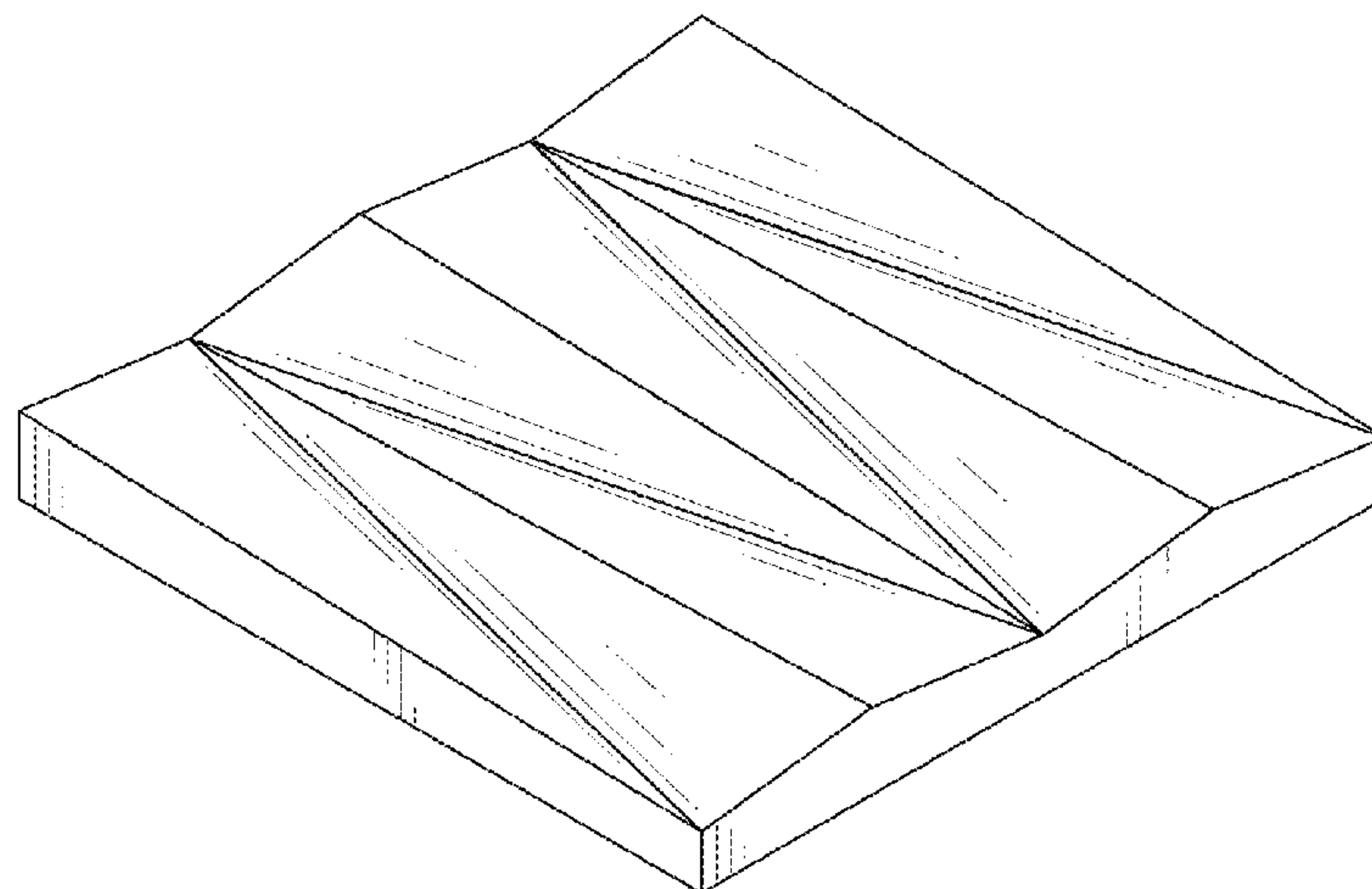


FIG. 1

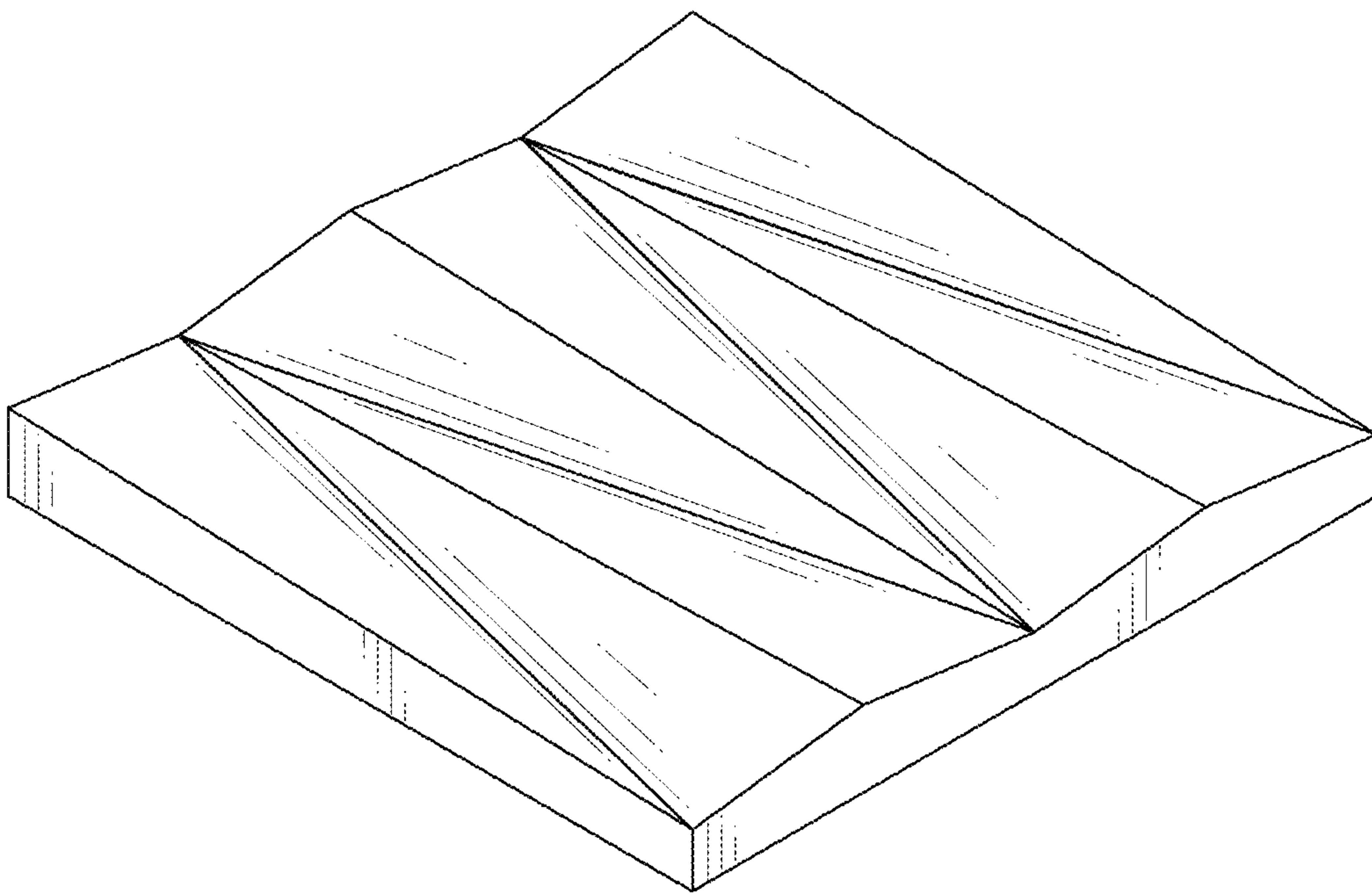


FIG. 2

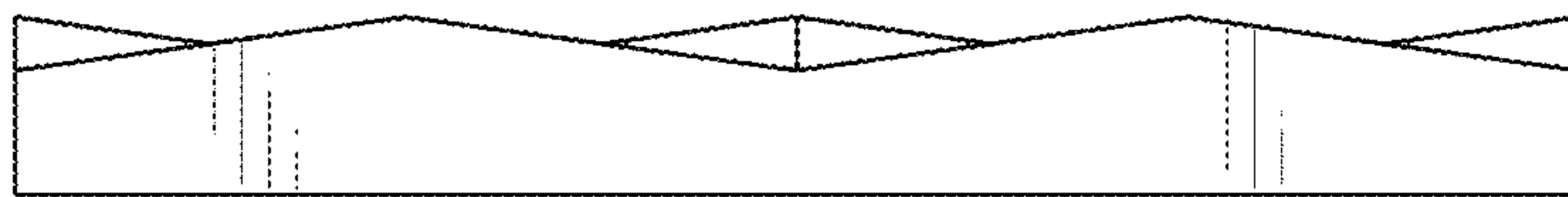


FIG. 3



FIG. 4

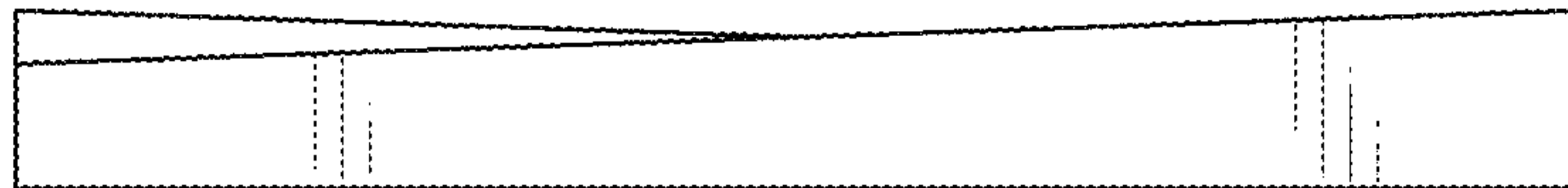


FIG. 5

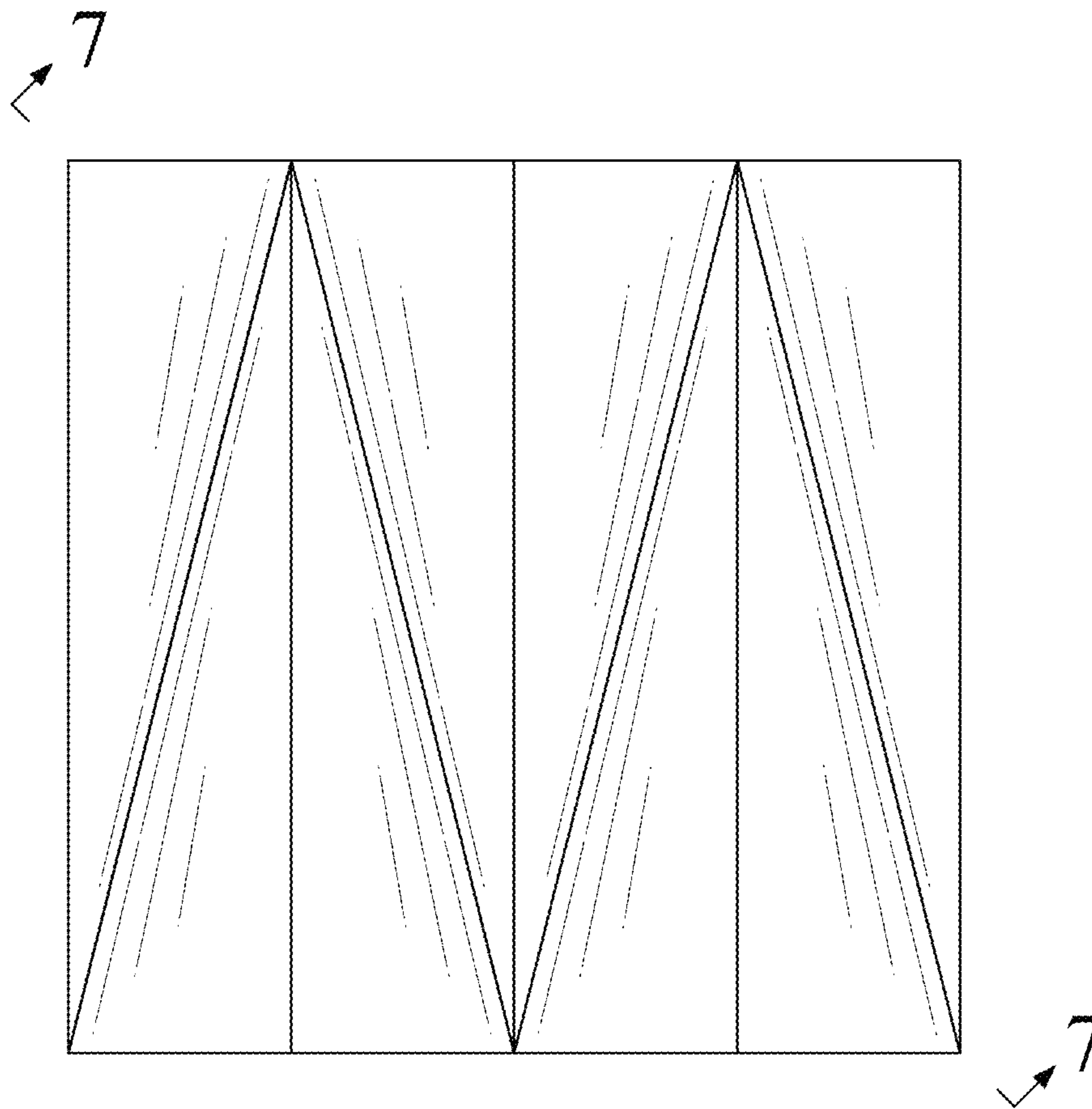


FIG. 6

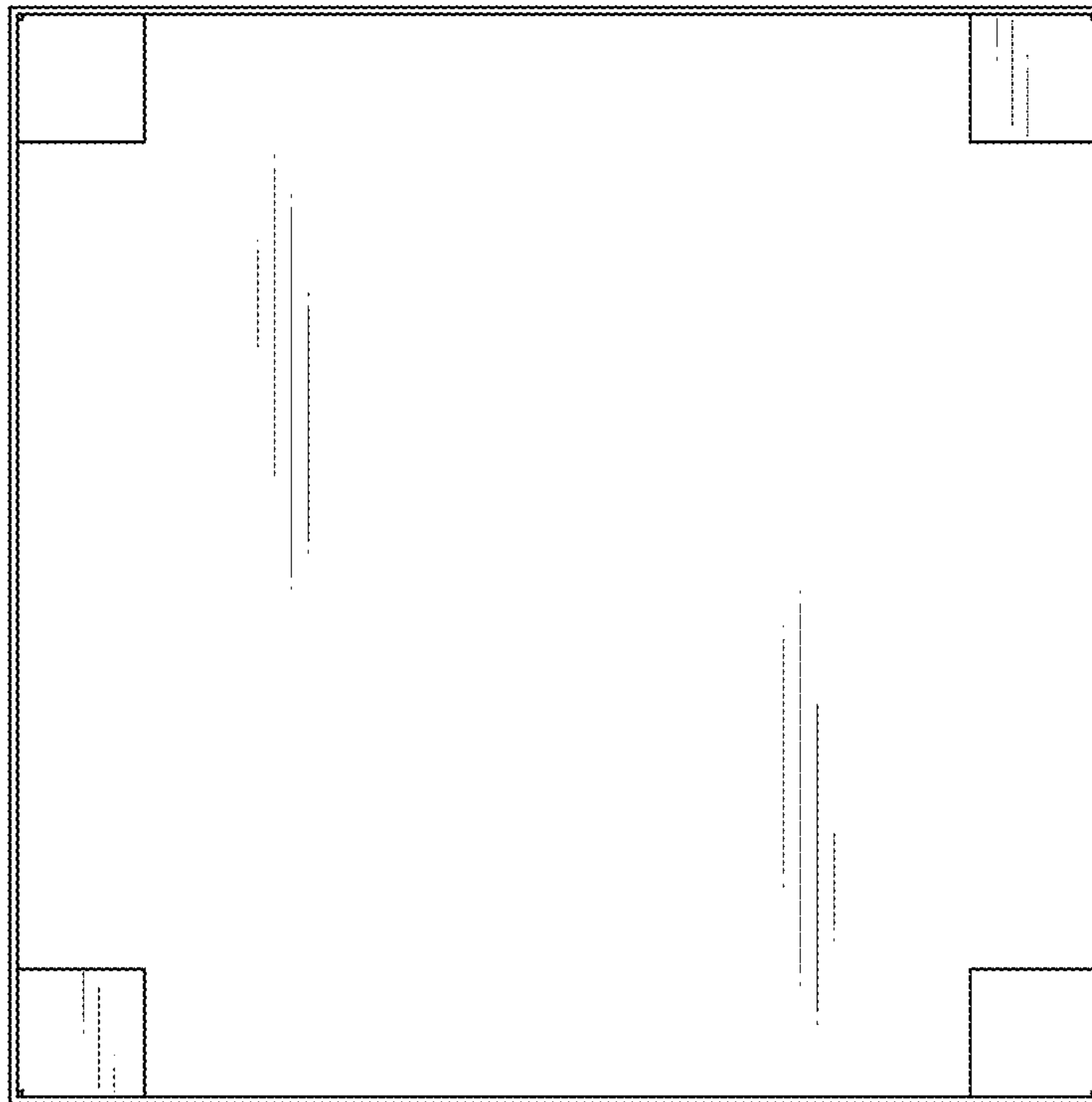


FIG. 7

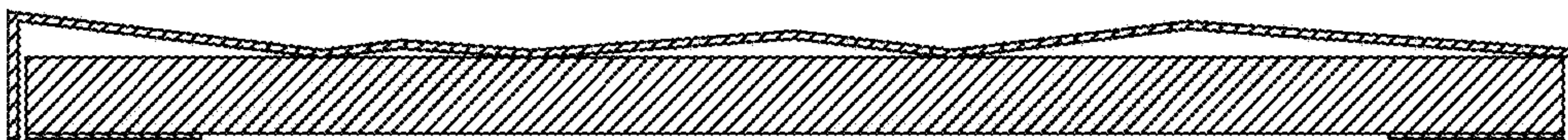


FIG. 8

