

US00D806904S

(12) **United States Design Patent** (10) **Patent No.:** **US D806,904 S**  
**DeBellis** (45) **Date of Patent:** **\*\* Jan. 2, 2018**

(54) **ROOF MOUNTED ELECTRICAL SERVICE STANCHION**

(71) Applicant: **Thomas M. DeBellis**, Canyon Lake, CA (US)

(72) Inventor: **Thomas M. DeBellis**, Canyon Lake, CA (US)

(\*\*) Term: **15 Years**

(21) Appl. No.: **29/574,494**

(22) Filed: **Aug. 16, 2016**

(51) **LOC (11) Cl.** ..... **25-01**

(52) **U.S. Cl.**  
USPC ..... **D25/126**

(58) **Field of Classification Search**  
USPC ..... D25/103-135, 47.1, 48.7, 60, 48.1;  
52/201, 204.5, 204.54, 508, 306, 307,  
52/308; 160/104, 201, 202, 235;  
D26/87; D13/139.5, 123  
CPC ..... E04H 12/2253; E04H 12/003; E04H  
17/1421; E04H 2017/1452; Y10T  
29/49881

See application file for complete search history.

(56) **References Cited**

U.S. PATENT DOCUMENTS

D244,465 S	5/1977	Stoneman	
D349,580 S	8/1994	Sieler et al.	
5,365,620 A *	11/1994	MacLeod	A47K 3/285 4/600
D374,725 S *	10/1996	Conigliaro	D25/126
D448,346 S	9/2001	Hellwig et al.	
D471,644 S *	3/2003	Schaefer	D25/126
D472,650 S *	4/2003	Green	D25/126
D473,518 S	4/2003	Hellwig et al.	
D473,846 S	4/2003	Hellwig et al.	
6,585,221 B1 *	7/2003	Gretz	E04H 12/003 248/156
6,732,985 B1	5/2004	Cantrell	

6,779,764 B1 *	8/2004	Gretz	E04H 12/003 248/156
D507,618 S *	7/2005	Scarpa, III	D21/799.1
D517,483 S	3/2006	Nipke	
7,234,670 B1	6/2007	Gretz et al.	
7,530,550 B2 *	5/2009	Fattori	E04F 11/1812 256/65.05
D608,733 S	1/2010	Smith	
7,802,351 B2 *	9/2010	McGinness	E04H 12/2253 256/65.14
D669,856 S *	10/2012	Rosendahl	D13/139.5
8,371,356 B2 *	2/2013	Manser	E06B 9/17 160/133

(Continued)

*Primary Examiner* — Thomas Johannes  
*Assistant Examiner* — Samantha Q. Lawrence  
(74) *Attorney, Agent, or Firm* — Kirk A. Buhler; Buhler & Associates

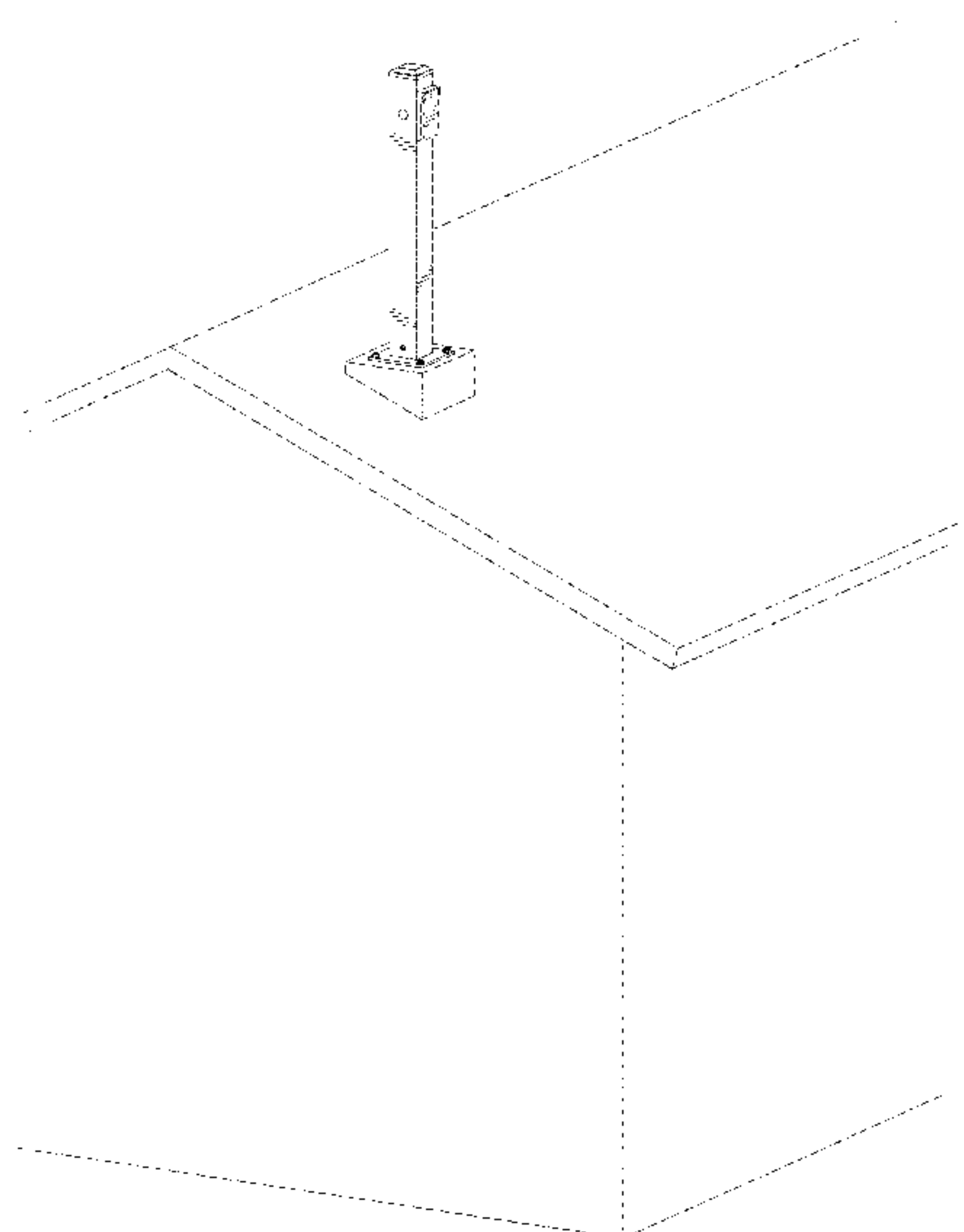
(57) **CLAIM**

The ornamental design for a roof mounted electrical service stanchion, as shown and described.

**DESCRIPTION**

FIG. 1 is a top perspective view of a roof mounted electrical service stanchion showing my new design;  
FIG. 2 is an exploded perspective view thereof;  
FIG. 3 is a front side view thereof;  
FIG. 4 is a rear side view thereof;  
FIG. 5 is a left side view thereof;  
FIG. 6 is a right side view thereof;  
FIG. 7 is a top side view thereof, and,  
FIG. 8 is a bottom side view thereof.  
The broken lines shown in FIG. 1 illustrate environment that form no part of the claimed design. The broken lines shown in FIG. 8 illustrate portions of the roof mounted electrical service stanchion that form no part of the claimed design.

**1 Claim, 5 Drawing Sheets**



(56)

**References Cited**

U.S. PATENT DOCUMENTS

8,827,332 B2 *	9/2014	Balay .....	E05B 47/0603
			160/201
D718,241 S	11/2014	Gretz	
D761,733 S	7/2016	Sumwalt et al.	
D762,177 S	7/2016	Sumwalt et al.	

\* cited by examiner

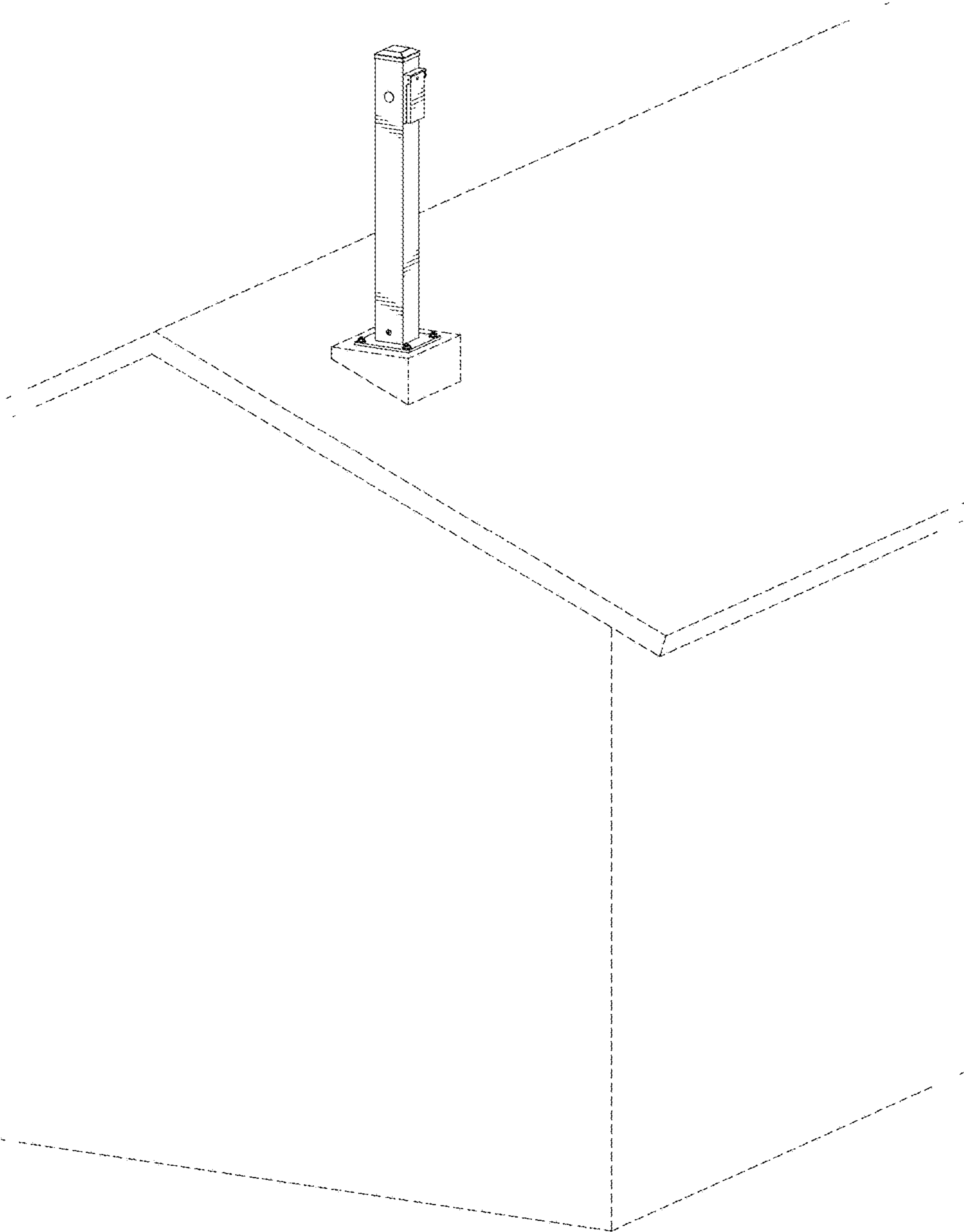
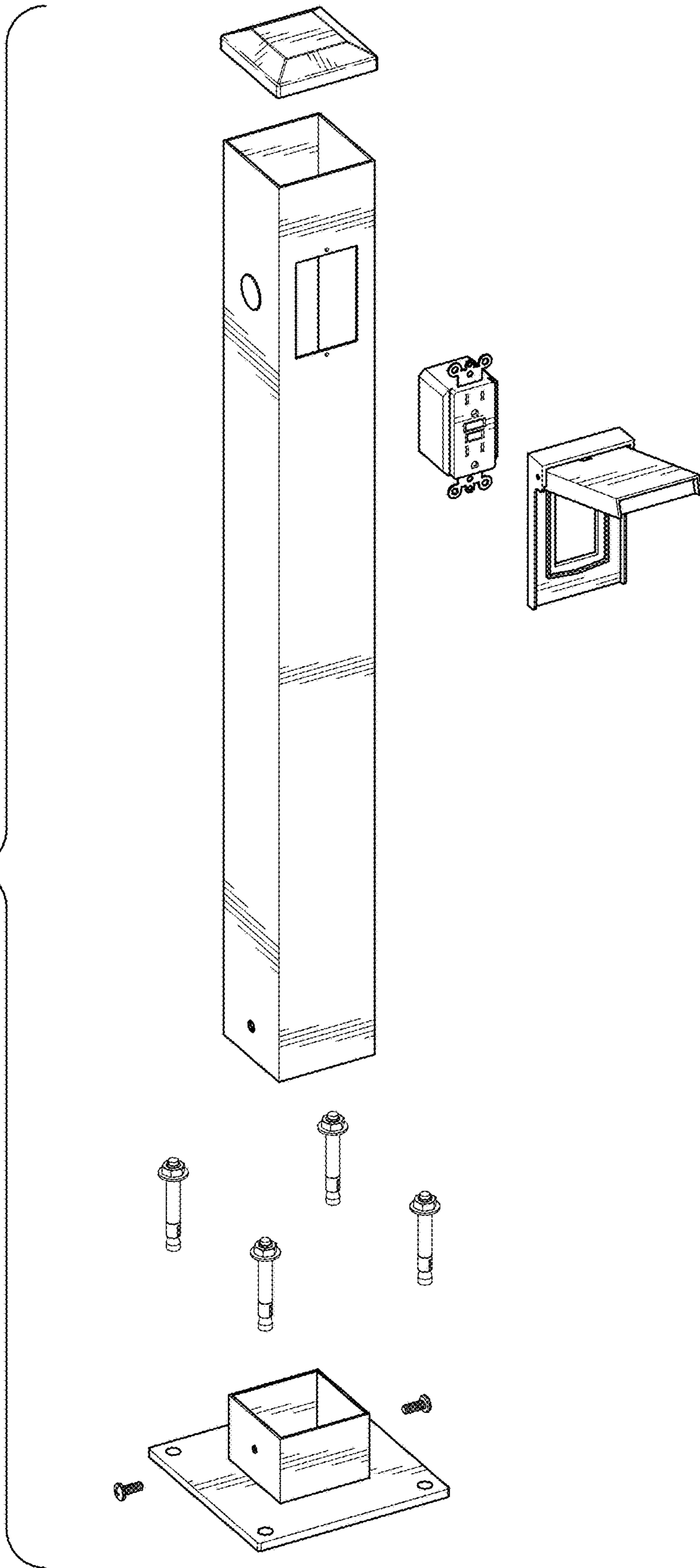


FIG. 1

FIG. 2



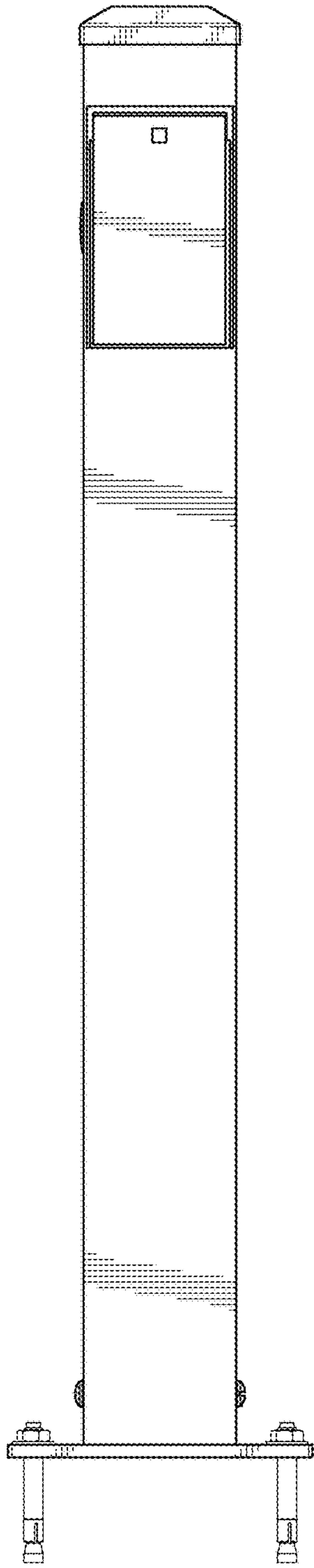


FIG. 3

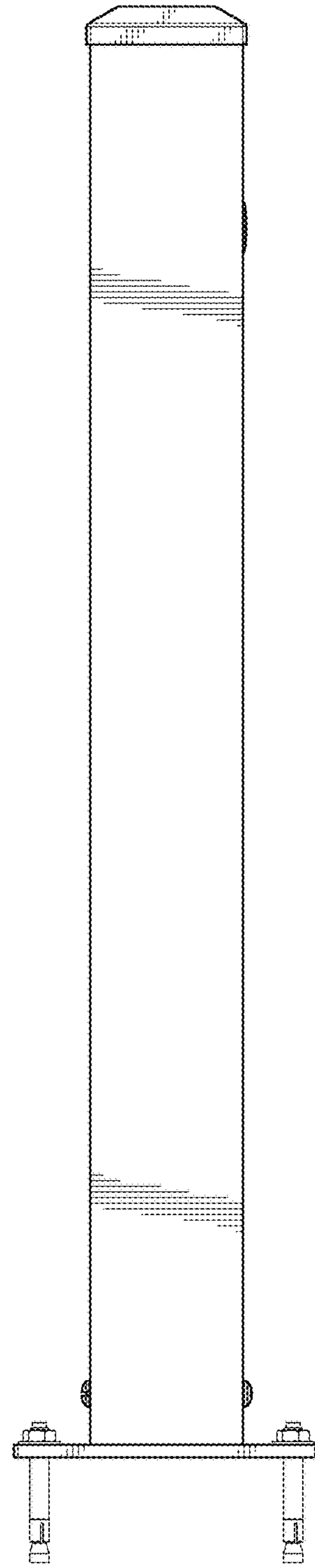


FIG. 4

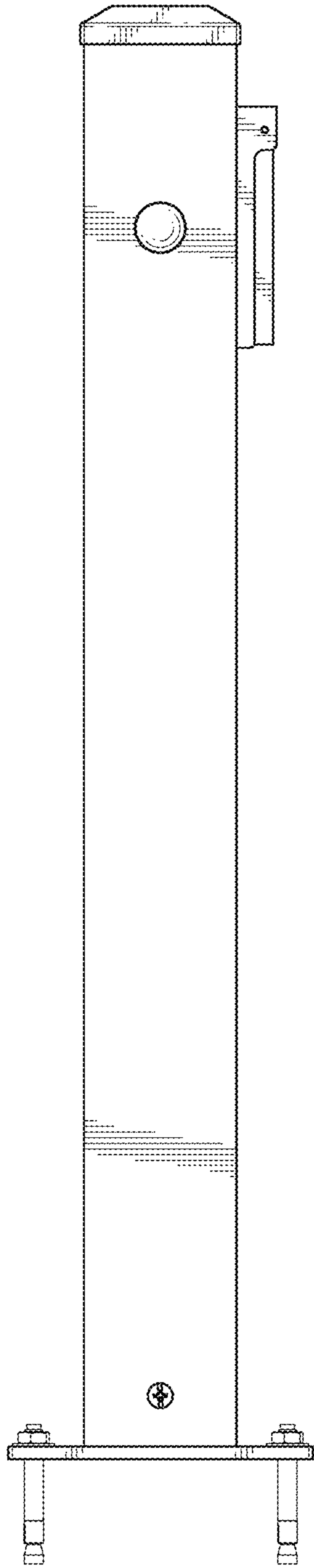


FIG. 5

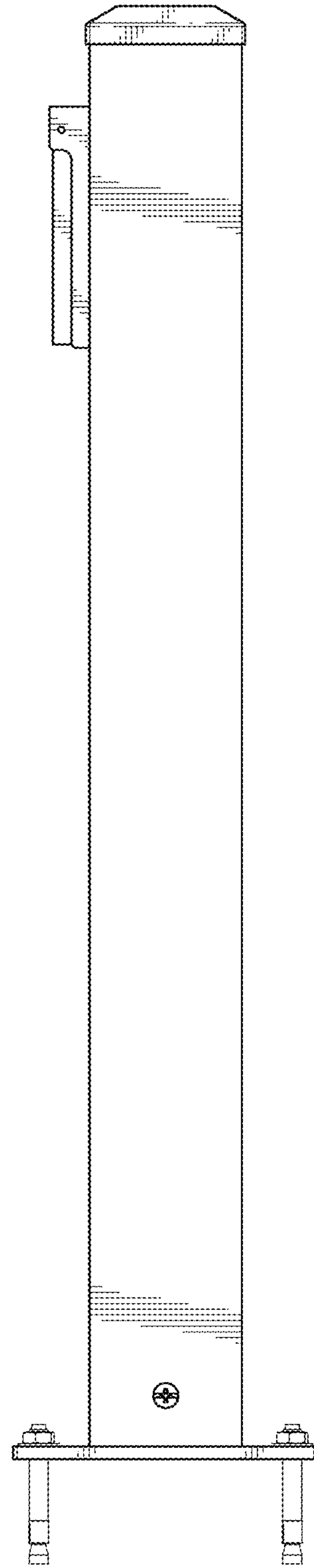
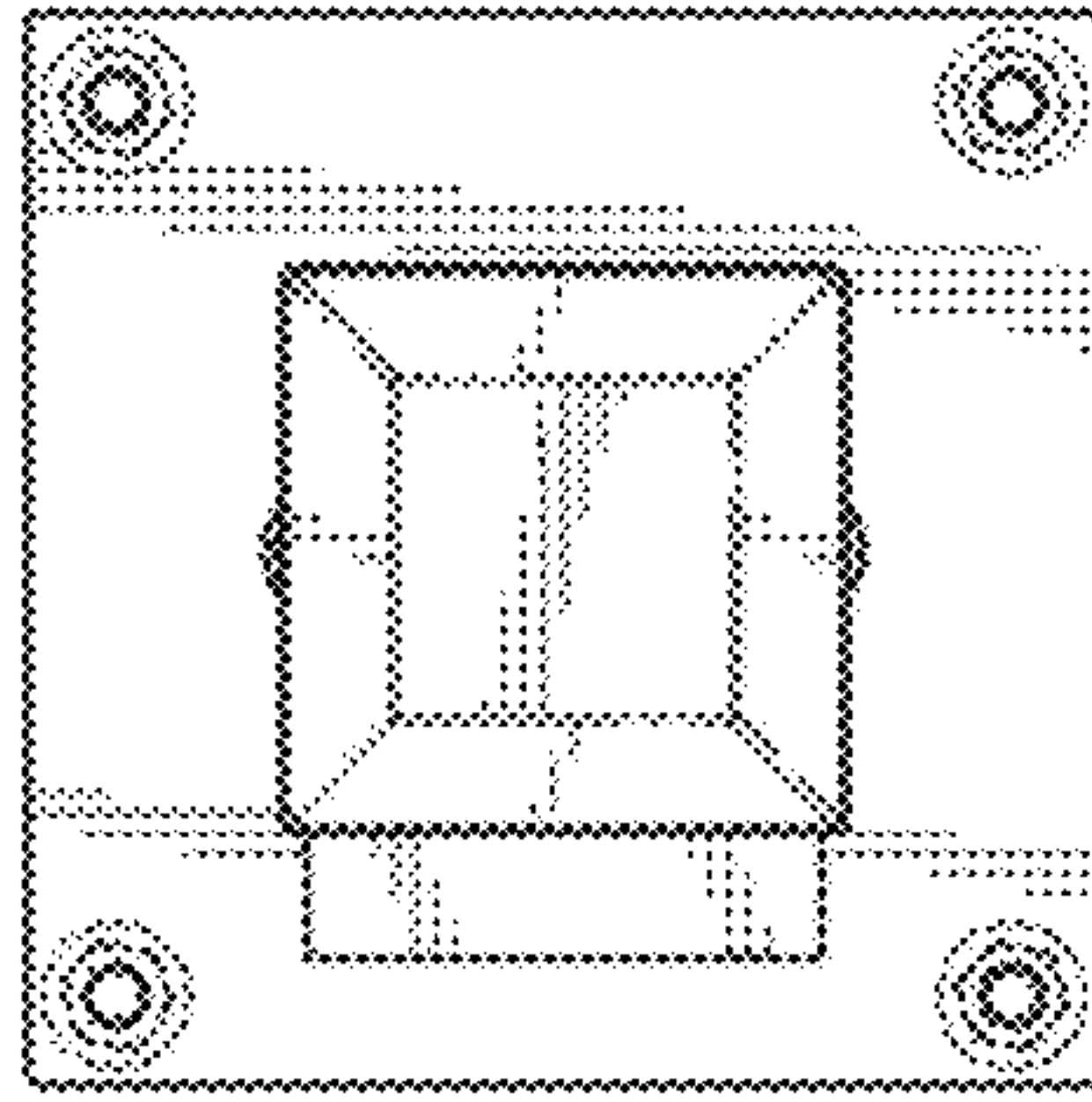
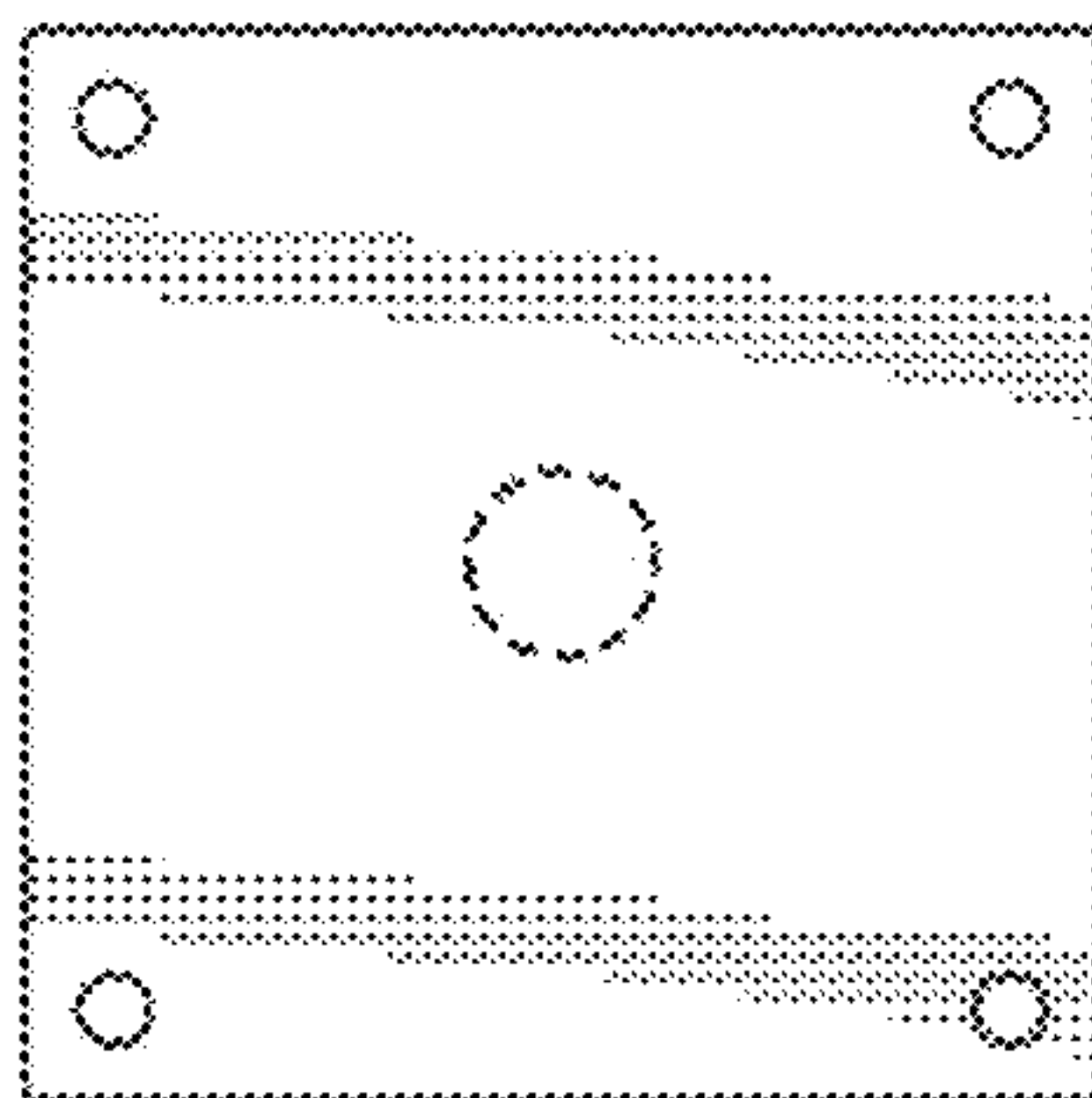


FIG. 6



*FIG. 7*



*FIG. 8*