



US00D806903S

(12) **United States Design Patent**  
**Fraas**

(10) **Patent No.:** **US D806,903 S**  
(45) **Date of Patent:** **\*\* Jan. 2, 2018**

- (54) **FORMED GRABBER BEAM**
- (71) Applicant: **Mark Fraas**, Fort Payne, AL (US)
- (72) Inventor: **Mark Fraas**, Fort Payne, AL (US)
- (73) Assignee: **The Heil Co.**, Chattanooga, TN (US)
- (\*\*) Term: **15 Years**
- (21) Appl. No.: **29/565,922**
- (22) Filed: **May 25, 2016**
- (51) **LOC (11) Cl.** ..... **25-01**
- (52) **U.S. Cl.**  
USPC ..... **D25/126**
- (58) **Field of Classification Search**  
USPC ..... D25/126, 127, 128, 129, 130, 131, 132,  
D25/133, 134, 135, 136, 137, 55, 102, 58,  
D25/121, 199; 52/223.8, 223.11, 649.2,  
52/650.1; D8/499, 400  
CPC ..... E04G 23/0218; E04H 12/10; Y10T  
29/49826; Y10T 29/49634; Y10T  
403/1624; B41J 29/02; E04B 2001/2463  
See application file for complete search history.

- D583,488 S \* 12/2008 Muehlebach ..... D25/136
  - D594,575 S \* 6/2009 Muehlebach ..... D25/136
  - 8,061,096 B2 \* 11/2011 Kim ..... E04C 3/32  
248/226.11
  - 8,307,609 B2 \* 11/2012 Kim ..... E04G 23/0218  
248/226.11
  - D696,797 S \* 12/2013 Wurth ..... B66B 11/0005  
D25/126
  - D709,629 S \* 7/2014 Rice ..... D25/125
- \* cited by examiner

*Primary Examiner* — Thomas Johannes  
*Assistant Examiner* — Samantha Q. Lawrence  
 (74) *Attorney, Agent, or Firm* — Stephen J. Stark; Miller & Martin PLLC

(57) **CLAIM**

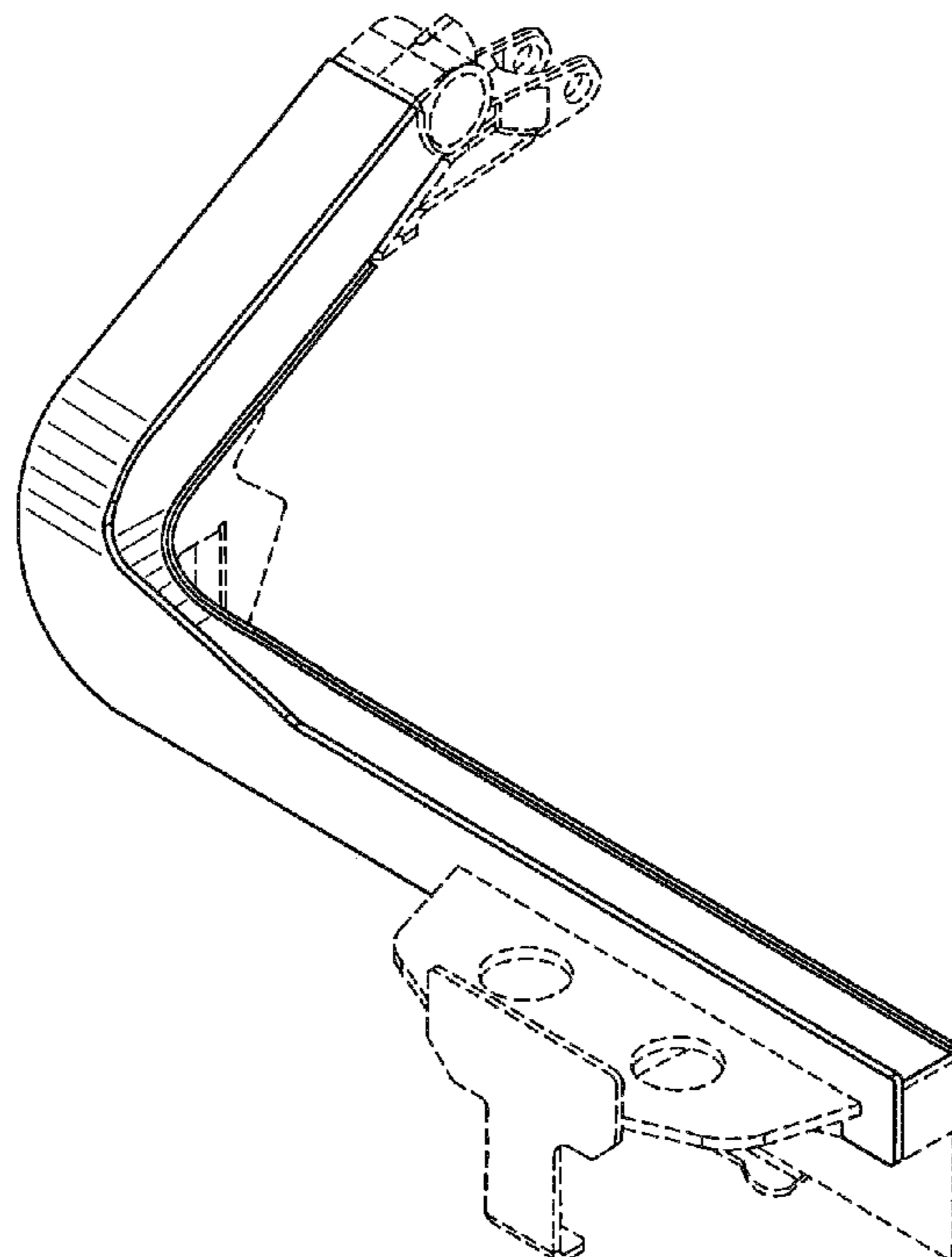
The ornamental design for a formed grabber beam, as shown and described.

**DESCRIPTION**

FIG. 1 is a perspective view of a formed grabber beam; FIG. 2 is a rear elevational view thereof; FIG. 3 is a top elevational view thereof; FIG. 4 is a bottom elevational view; FIG. 5 is a front side elevational view thereof; FIG. 6 is a left side elevational view thereof; and, FIG. 7 is a right side elevational view thereof. The broken lines shown in FIGS. 1-7 illustrate portions of the formed grabber beam that form no part of the claimed design.

**1 Claim, 7 Drawing Sheets**

- (56) **References Cited**  
U.S. PATENT DOCUMENTS  
D289,493 S \* 4/1987 Monell ..... 174/149 R  
D293,722 S \* 1/1988 Ewing ..... D25/127  
D357,607 S \* 4/1995 Nilsson ..... D25/126  
D388,194 S \* 12/1997 Straub ..... D25/134



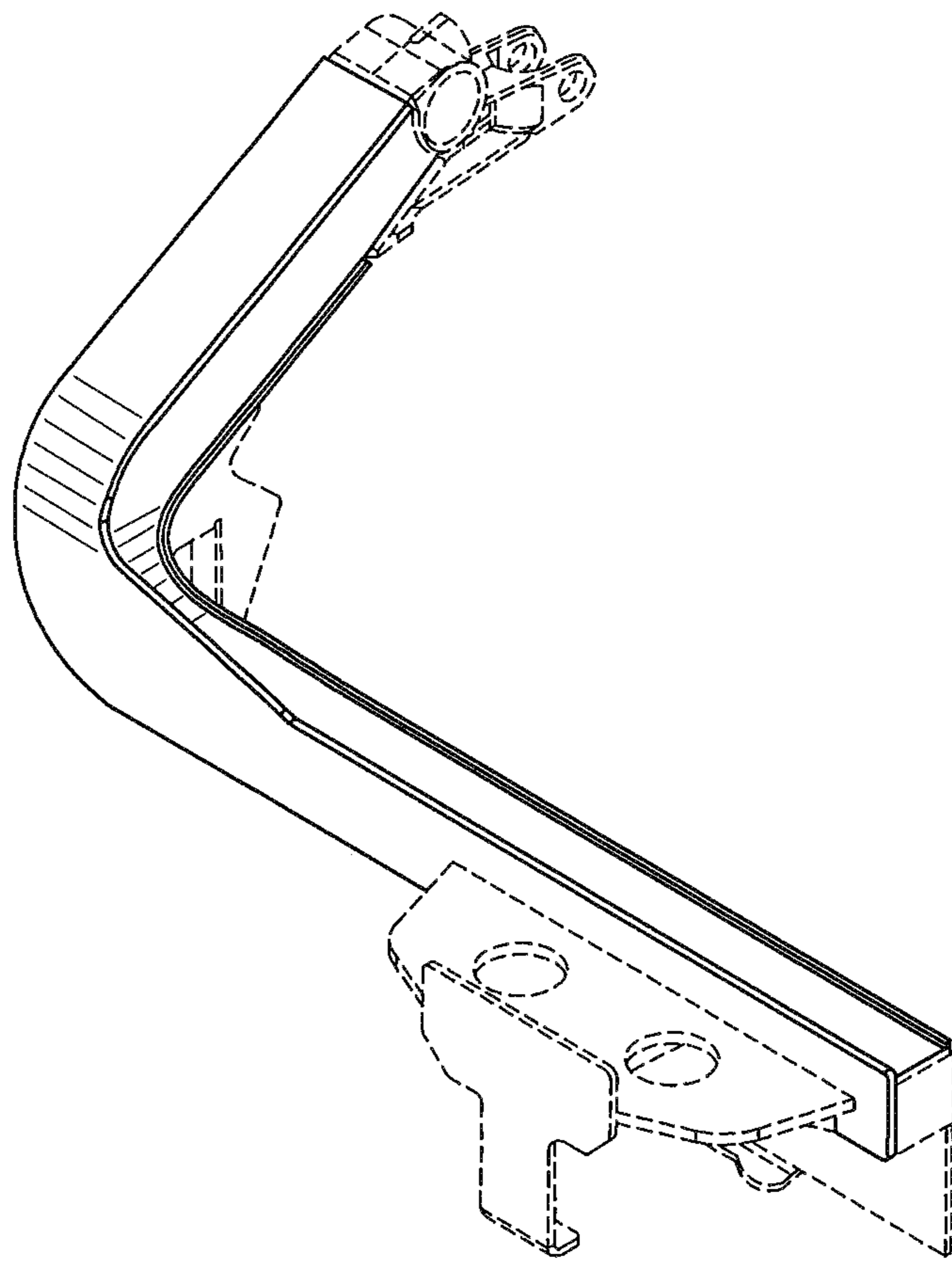


FIG. 1

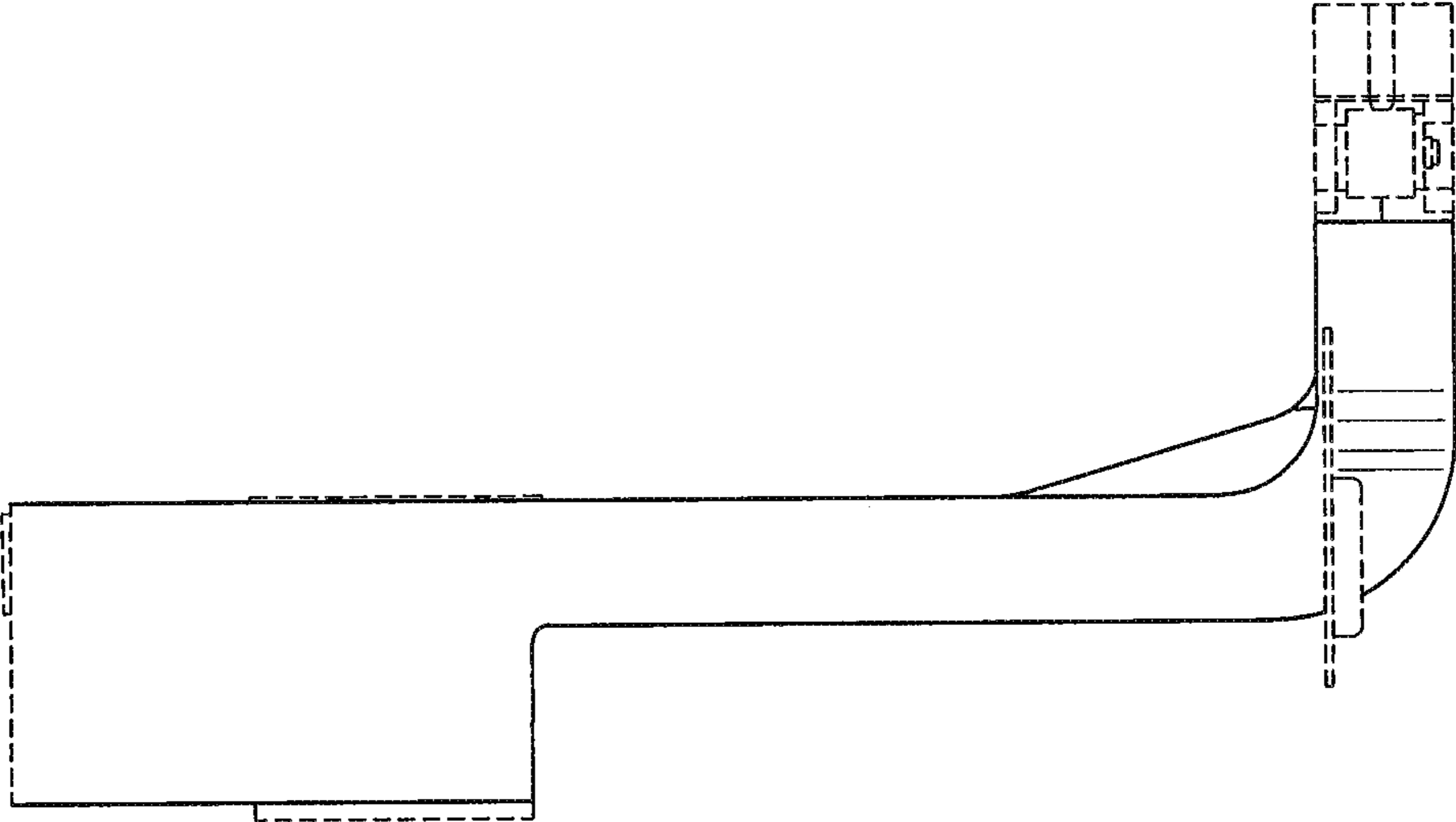


FIG. 2

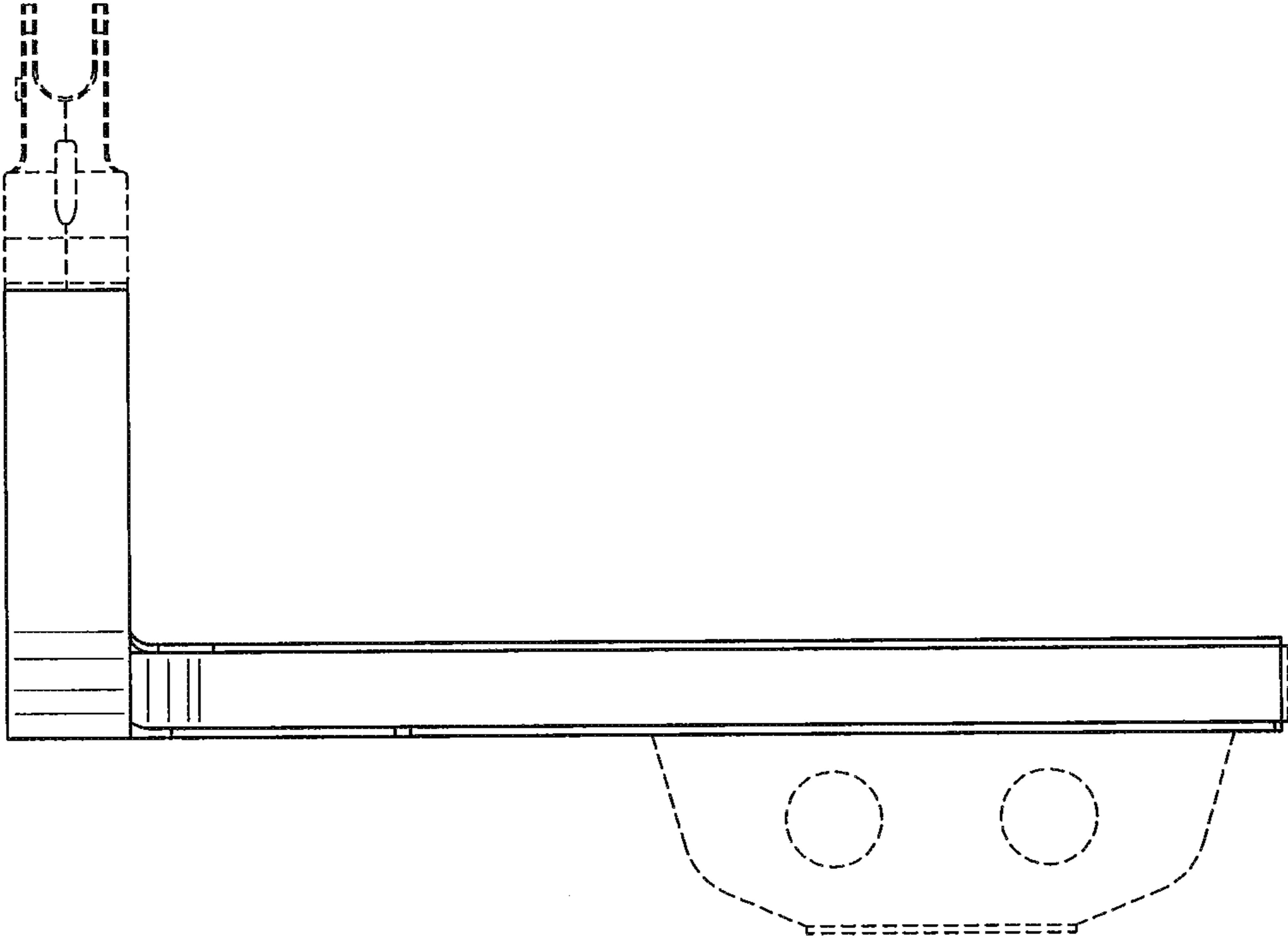


FIG. 3

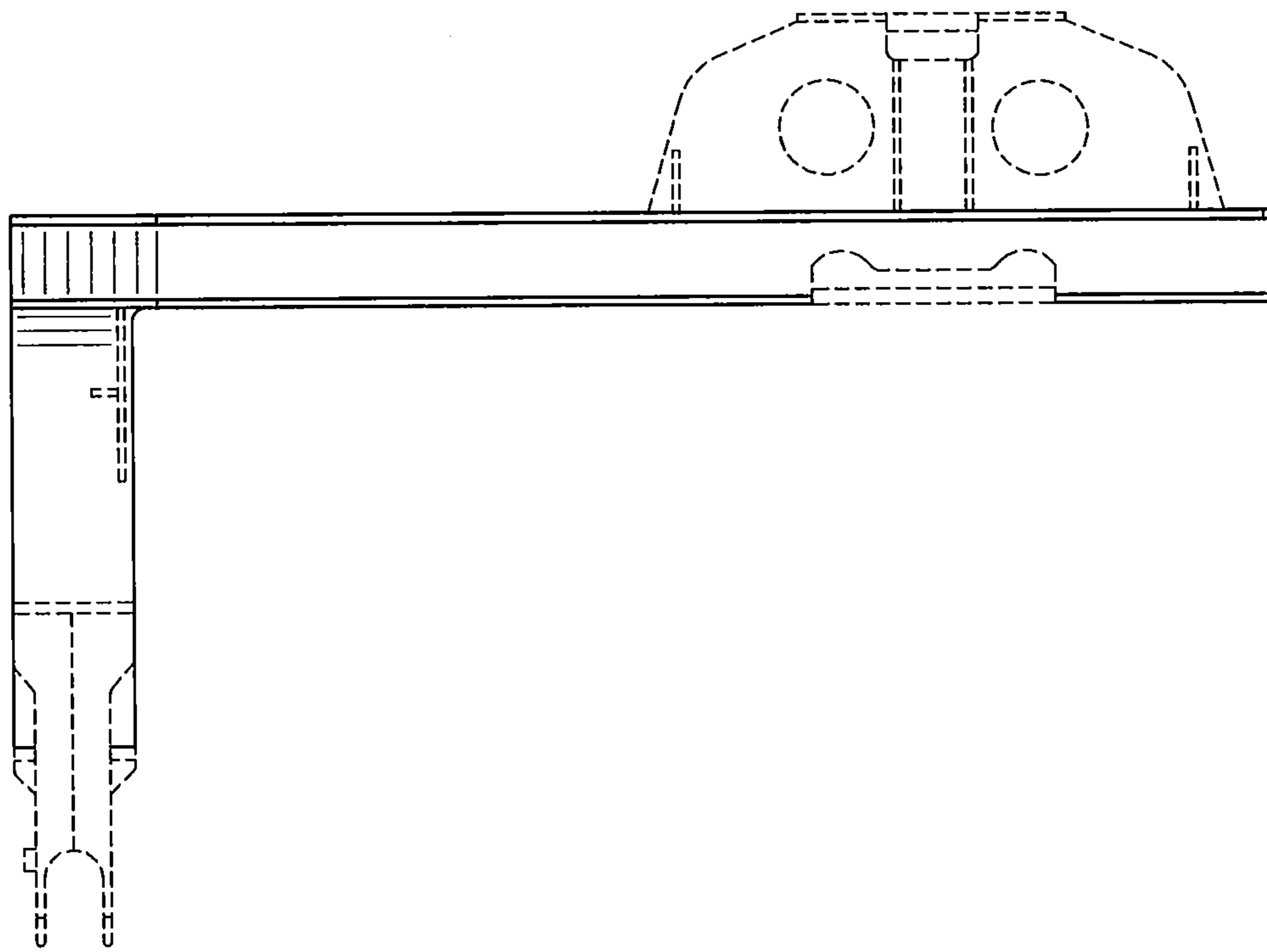


FIG. 4

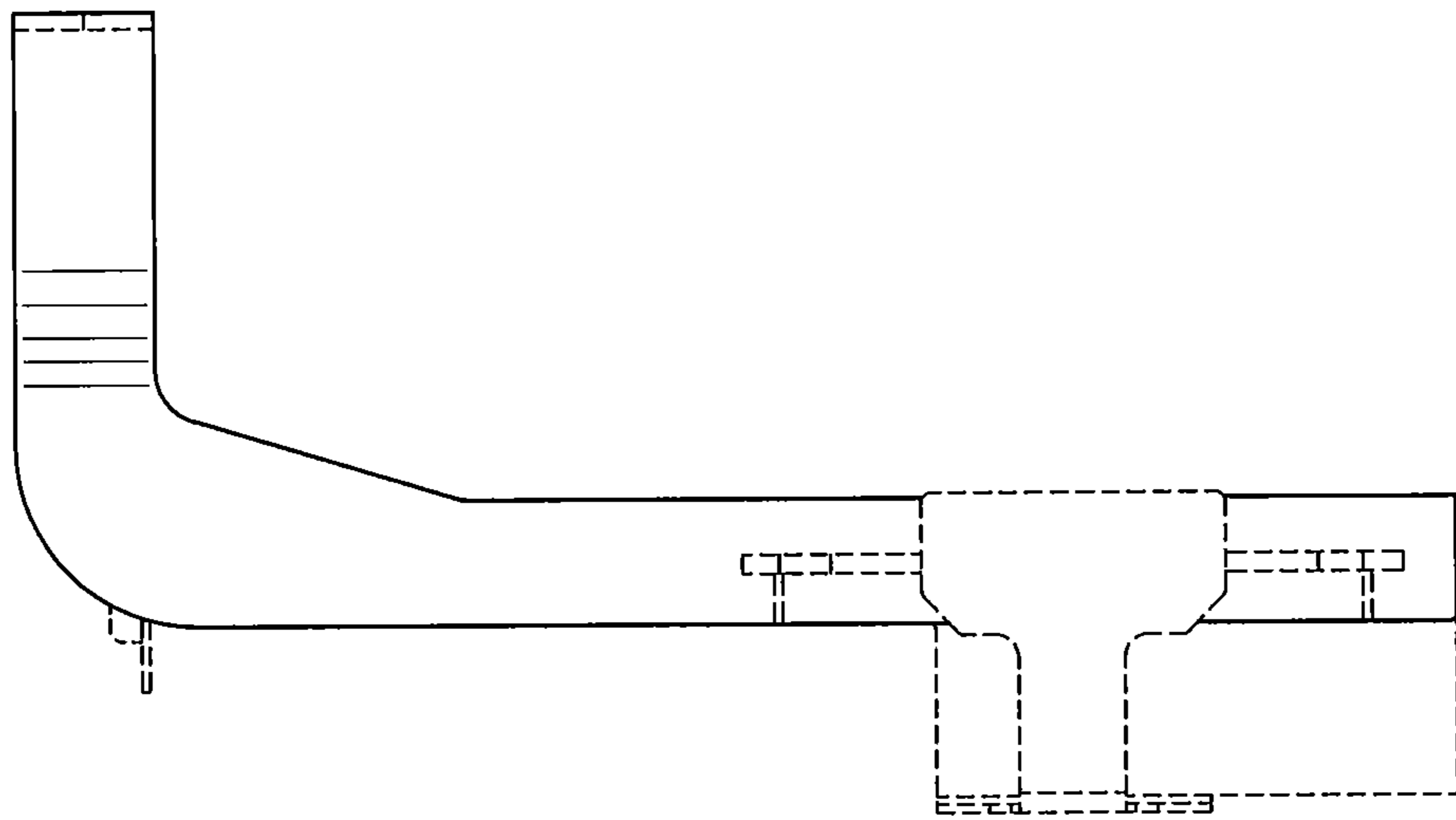


FIG. 5

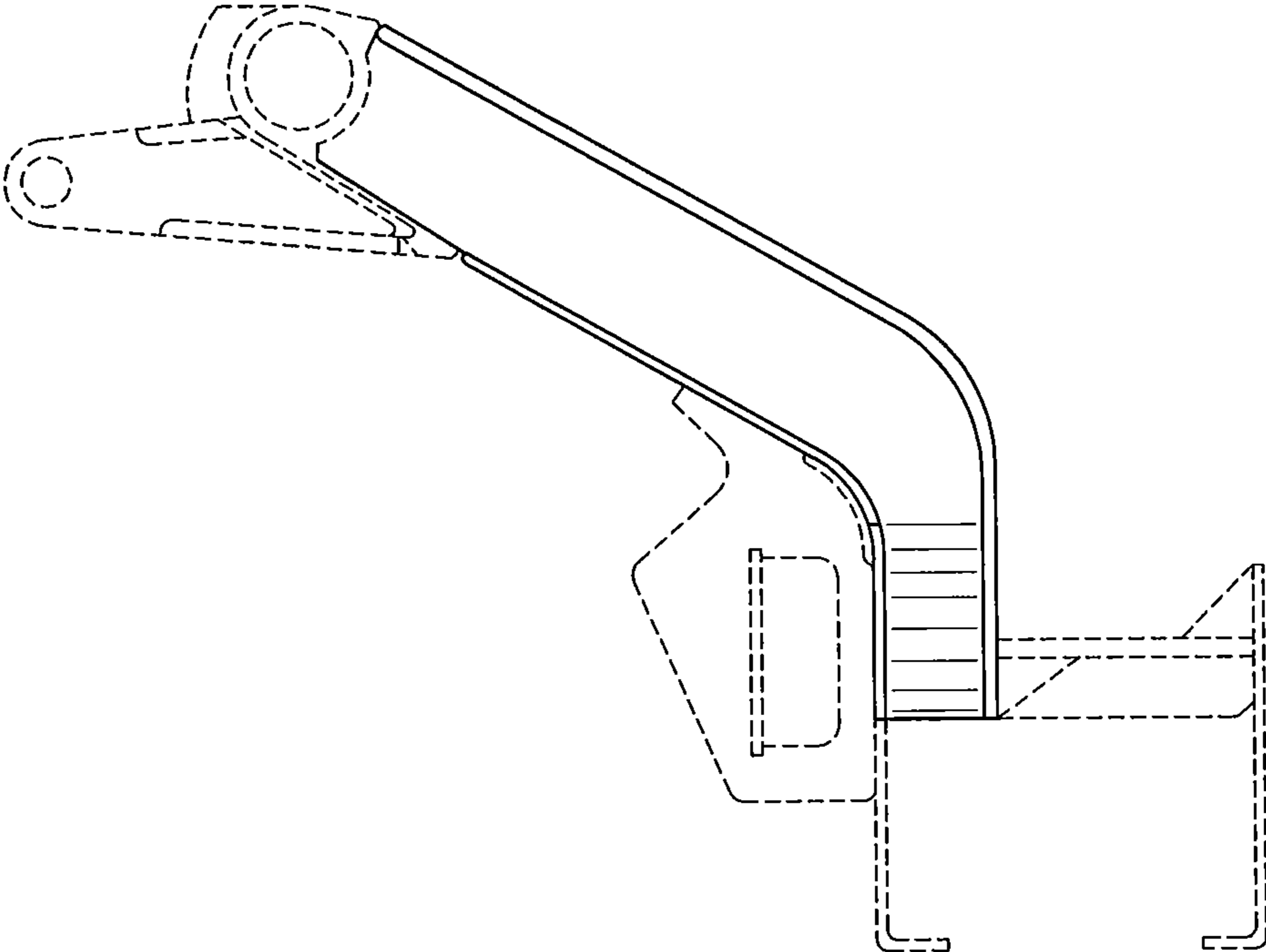


FIG. 6

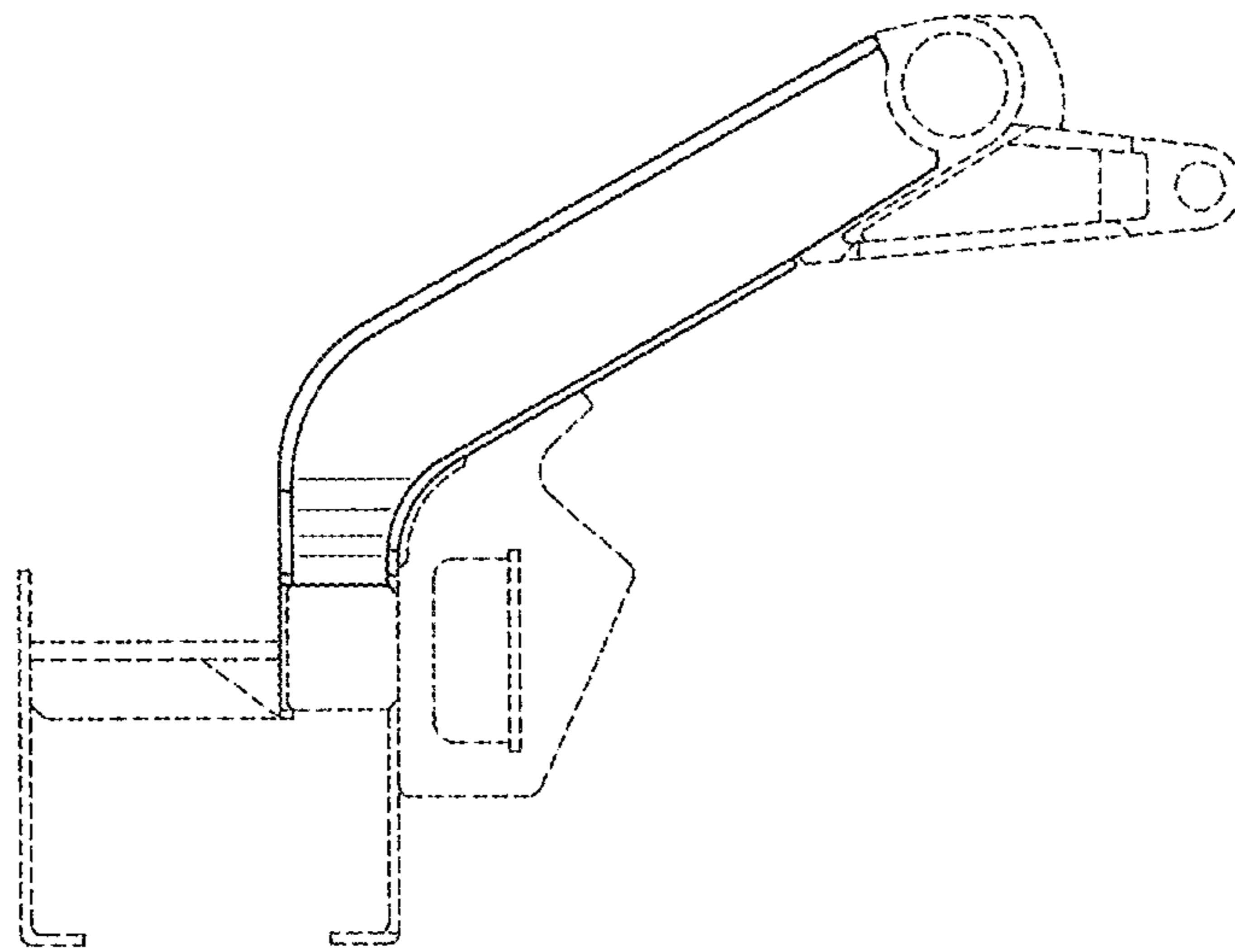


FIG. 7