



US00D806901S

(12) **United States Design Patent** (10) **Patent No.:** **US D806,901 S**
Singh (45) **Date of Patent:** **** Jan. 2, 2018**

(54) **TRIM REVEAL EXTRUSION**

2003/046; E04C 2003/0465; E04C
2003/0482; E04D 13/15; E04D 13/0459;
E04D 1/36

(71) Applicant: **EASYTRIM REVEALS INC.**, Calgary
(CA)

See application file for complete search history.

(72) Inventor: **Joshua George Singh**, Calgary (CA)

(56) **References Cited**

(**) Term: **15 Years**

U.S. PATENT DOCUMENTS

(21) Appl. No.: **29/567,889**

4,999,961	A *	3/1991	McNary	E04F 19/06 52/287.1
5,542,222	A *	8/1996	Wilson	E04F 19/06 52/287.1
5,664,376	A *	9/1997	Wilson	E04F 19/06 52/287.1
5,974,748	A *	11/1999	Sciuga	E04F 19/06 52/287.1
D432,672	S *	10/2000	Grosfillex	D25/124
6,318,039	B1 *	11/2001	Watson	E04F 19/0436 52/716.1
6,341,458	B1 *	1/2002	Burt	E04F 19/061 52/287.1

(22) Filed: **Jun. 13, 2016**

Related U.S. Application Data

(62) Division of application No. 13/194,451, filed on Jul.
29, 2011, now Pat. No. 9,366,040.

(51) **LOC (11) Cl.** **25-01**

(52) **U.S. Cl.**
USPC **D25/119**

(58) **Field of Classification Search**
USPC D25/38.1, 38.8, 47.1, 48.1-48.4, 55, 56,
D25/58, 59, 61, 119-132, 138, 139, 142,
D25/143, 152, 153, 159, 164; 52/204.1,
52/204.5, 208, 209, 204.53, 211, 212,
52/213, 217, 254, 255, 287.1, 293.3,
52/302.6, 443, 444, 716.1, 716.2, 716.6,
52/716.7, 716.8, 717.01, 717.03; D6/300,
D6/325, 572, 702; D8/377, 381;
D23/267, 386; D26/118, 138, 141, 142

CPC E04F 19/00; E04F 19/02; E04F 19/022;
E04F 19/026; E04F 19/04; E04F 19/06;
E04F 19/061; E04F 13/06; E04F 13/061;
E04F 13/063; E04F 13/065; E04F 13/066;
E04F 13/068; E04B 2/00; E04B 7/00;
E04B 2001/405; E04C 3/00; E04C 3/04;
E04C 3/005; E04C 3/02; E04C 3/0473;
E04C 3/07; E04C 3/12; E04C 3/14; E04C
3/30; E04C 3/32; E04C 3/292; E04C
2003/0404; E04C 2003/0413; E04C
2003/043; E04C 2003/0452; E04C

(Continued)

Primary Examiner — Cynthia Ramirez
Assistant Examiner — Llorellys Martinez-Rivera
(74) *Attorney, Agent, or Firm* — Tai W. Nahm; Miller
Thomson LLP

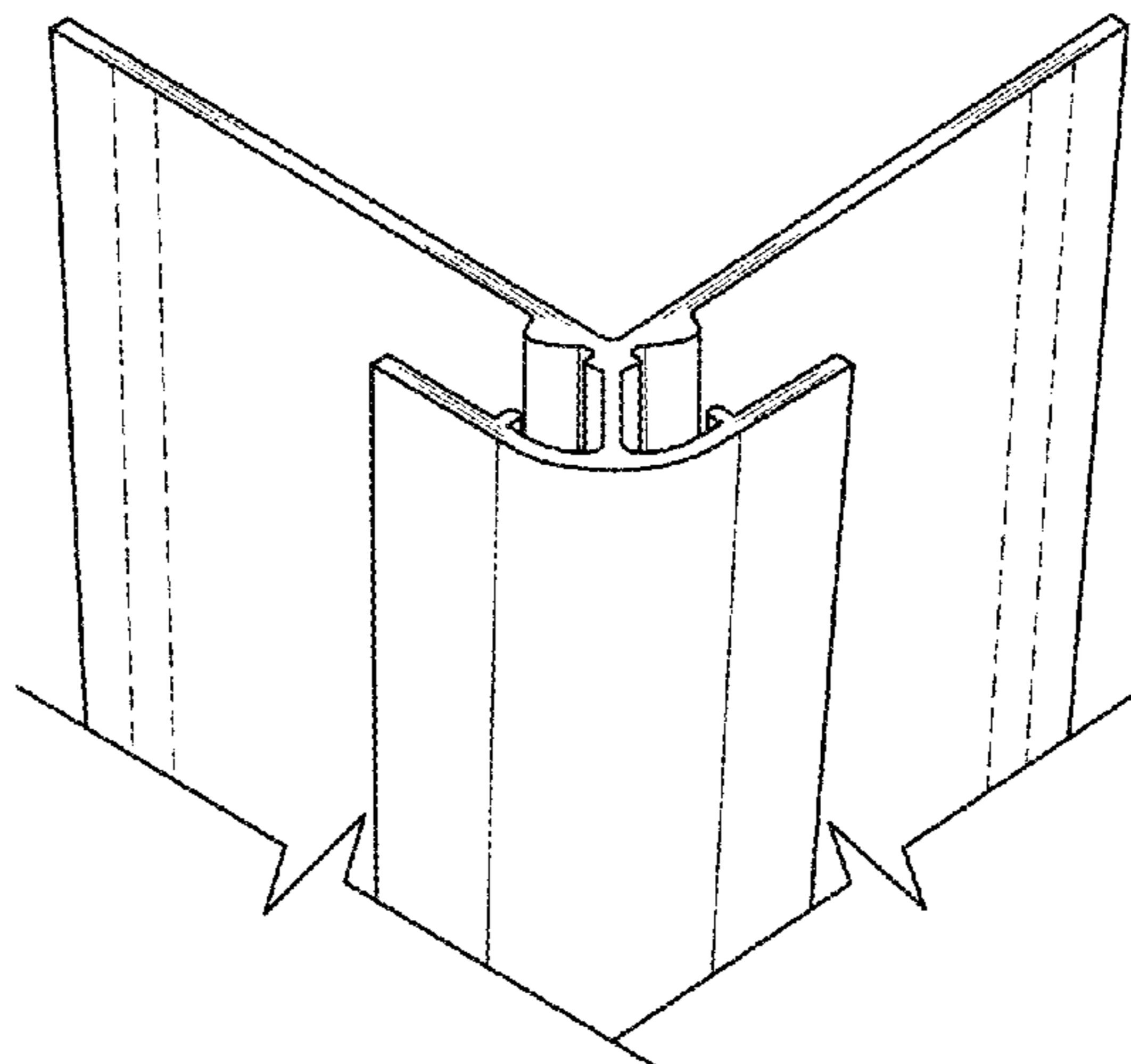
(57) **CLAIM**

The ornamental design for a trim reveal extrusion, as shown
and described.

DESCRIPTION

FIG. 1 is a perspective view of a trim reveal extrusion
showing my new design; and,
FIG. 2 is an end elevational view thereof.
The jagged break lines in FIG. 1 represent a cut-line and
form no part of the claimed design. the broken lines shown
in FIG. 1 represent portions of the trim reveal extrusion that
form no part of the claimed design. The broken lines shown
in FIG. 2 represent environmental structure which forms no
part of the claimed design.

1 Claim, 1 Drawing Sheet



(56)

References Cited

U.S. PATENT DOCUMENTS

7,028,436 B2 * 4/2006 Bezubic, Jr. E04F 13/16
52/717.01
D544,105 S * 6/2007 Flechsig D25/119
D606,671 S * 12/2009 Southwell D25/122
D630,340 S * 1/2011 Southwell D25/122
D690,436 S * 9/2013 Elizarraras D25/55
D700,360 S * 2/2014 Elizarraras D25/55
8,756,886 B1 * 6/2014 Grant E04F 13/06
52/287.1
2004/0128929 A1 * 7/2004 Moen E04D 3/40
52/287.1
2008/0172961 A1 * 7/2008 Wu A63H 33/105
52/282.1
2009/0056252 A1 * 3/2009 Taylor E04F 19/061
52/287.1
2012/0255249 A1 * 10/2012 Singh E04F 19/061
52/302.1

* cited by examiner

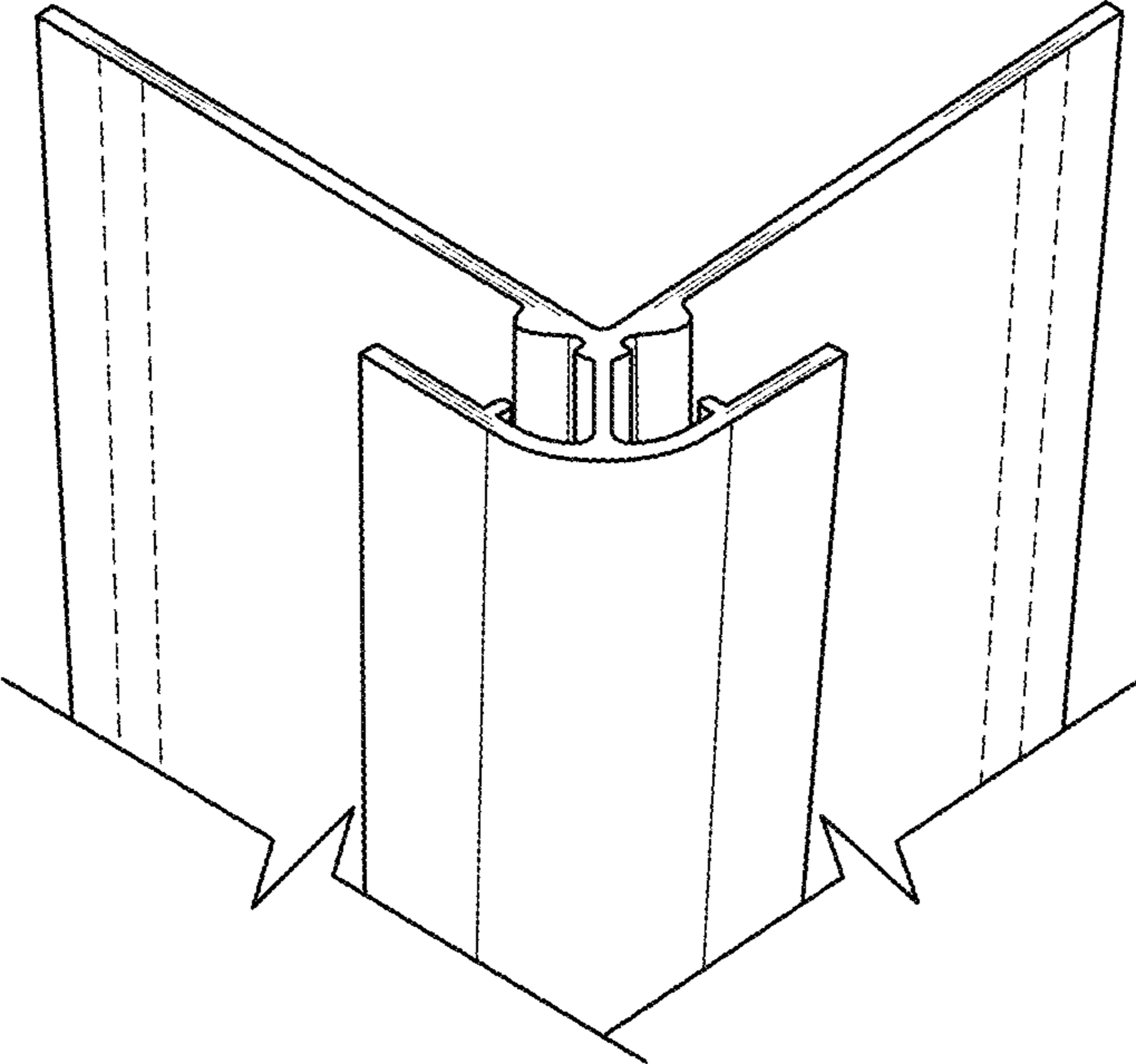


FIG. 1

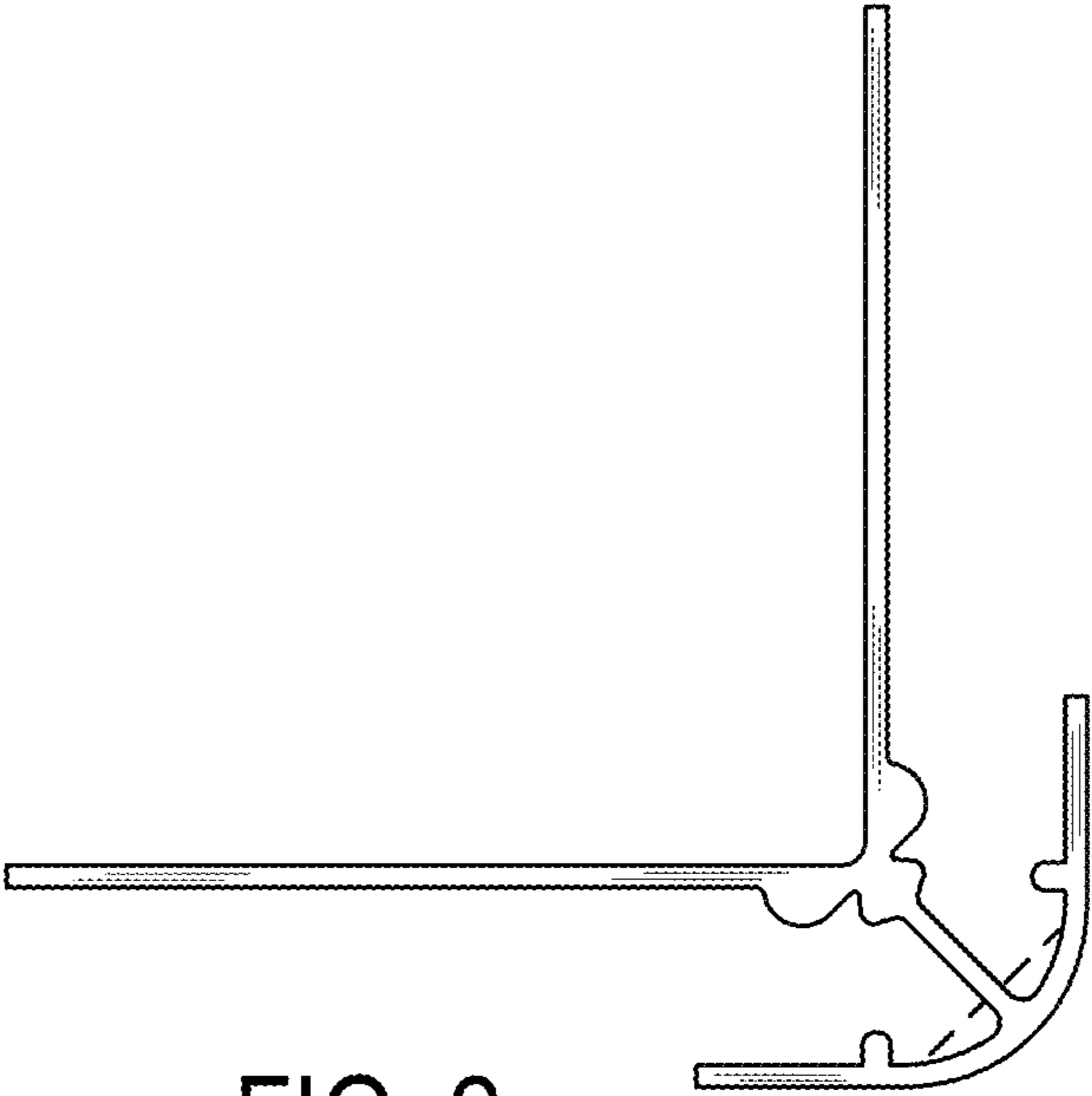


FIG. 2