



US00D806895S

(12) **United States Design Patent** (10) **Patent No.:** **US D806,895 S**
Terashima et al. (45) **Date of Patent:** **** Jan. 2, 2018**

(54) **BUS SHELTER**
(71) Applicant: **Panasonic Intellectual Property Management Co., Ltd., Osaka (JP)**
(72) Inventors: **Makoto Terashima, Chiba (JP); Hiroyuki Matsumoto, Tokyo (JP)**
(73) Assignee: **Panasonic Intellectual Property Management Co., Ltd., Osaka (JP)**

D438,635 S * 3/2001 Da Costa D25/1
D530,432 S 10/2006 Gottesdiener
D535,034 S 1/2007 Gottesdiener
D603,526 S * 11/2009 Schwartz D25/32
D609,364 S 2/2010 Dipietro et al.
D740,960 S * 10/2015 Indio da Costa D25/1
D754,362 S * 4/2016 Indio da Costa D25/1
D792,604 S * 7/2017 Indio da Costa D25/1
D796,693 S * 9/2017 Mount D25/56

* cited by examiner

(**) Term: **15 Years**

Primary Examiner — Susan Bennett Hattan

Assistant Examiner — Brett Miller

(21) Appl. No.: **29/583,478**

(74) *Attorney, Agent, or Firm* — Panasonic IP Management; Kerry S. Culpepper

(22) Filed: **Nov. 4, 2016**

(51) **LOC (11) Cl.** **25-03**

(57) **CLAIM**

(52) **U.S. Cl.**
USPC **D25/1; D25/56**

We claim the ornamental design for a bus shelter, as shown and described.

(58) **Field of Classification Search**
USPC D25/1, 3, 4, 5, 6, 14, 15, 17, 18, 20, 24, D25/26, 32-33, 35, 56; 52/79.1
CPC E04H 1/00-1/1277
See application file for complete search history.

DESCRIPTION

FIG. 1 is a front perspective view of a bus shelter of the present invention;
FIG. 2 is a rear perspective view thereof;
FIG. 3 is a bottom perspective view thereof;
FIG. 4 is a front view thereof;
FIG. 5 is a rear view thereof;
FIG. 6 is a left side view thereof;
FIG. 7 is a right side view thereof;
FIG. 8 is a top view thereof; and,
FIG. 9 is a bottom view thereof.

(56) **References Cited**

U.S. PATENT DOCUMENTS

D148,928 S * 3/1948 Hardesty D25/34
D231,695 S * 5/1974 Dattner D25/56
D250,837 S * 1/1979 Lahaie D25/1
D336,136 S * 6/1993 Foster D25/1
D338,073 S * 8/1993 Wall D25/1
D402,771 S * 12/1998 Broudy D25/1
D406,352 S * 3/1999 Kleihues D25/1

1 Claim, 9 Drawing Sheets

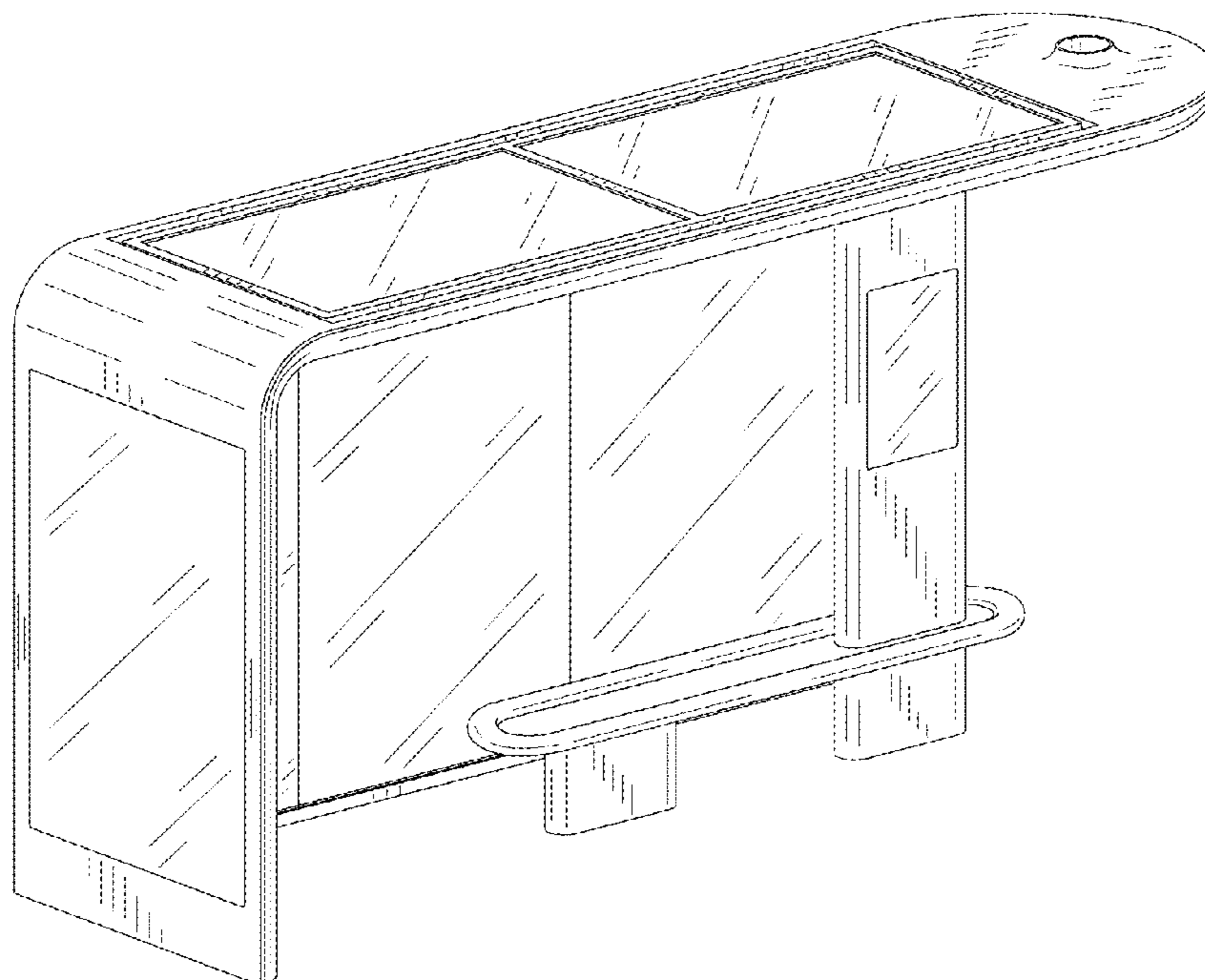


FIG. 1

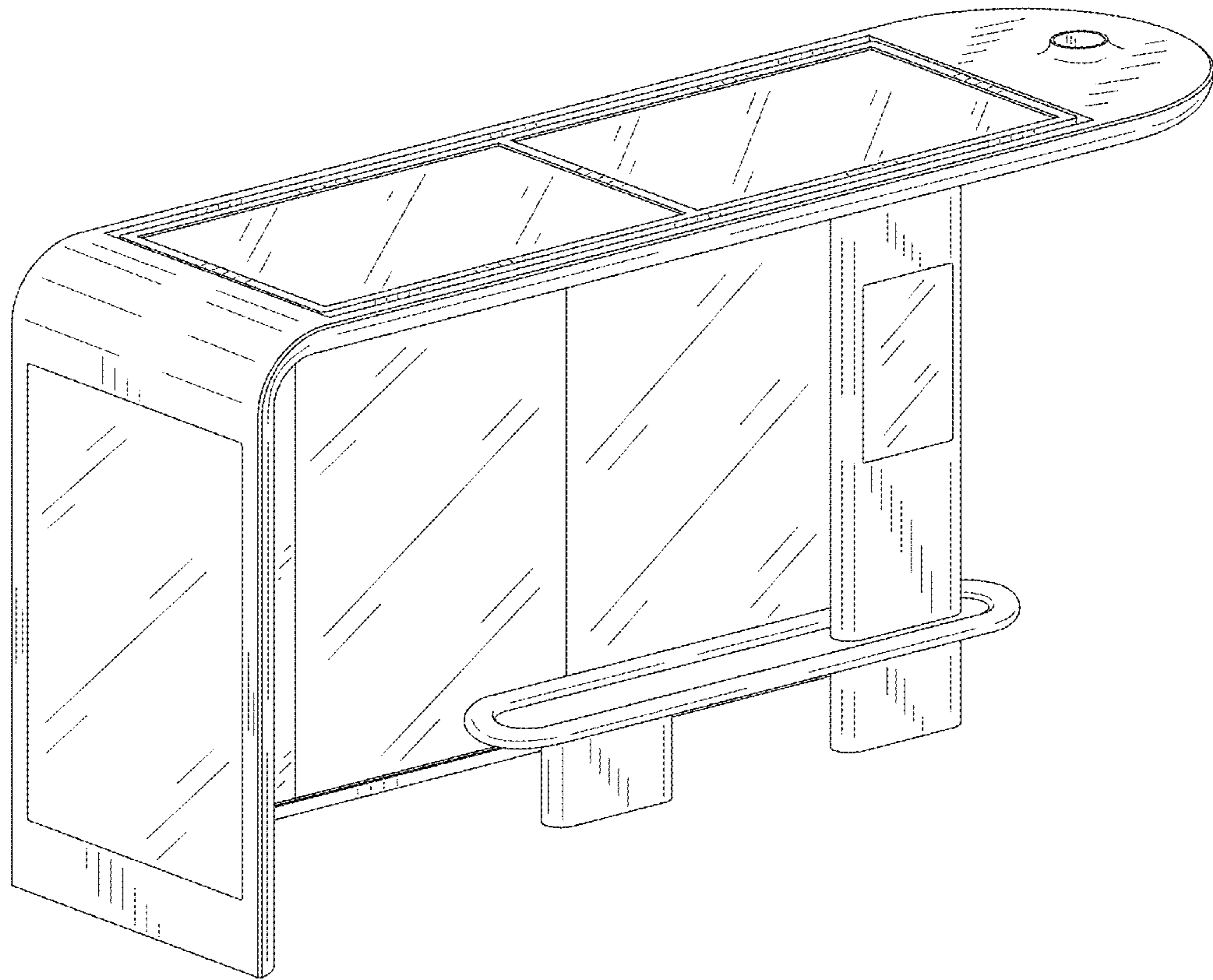


FIG. 2

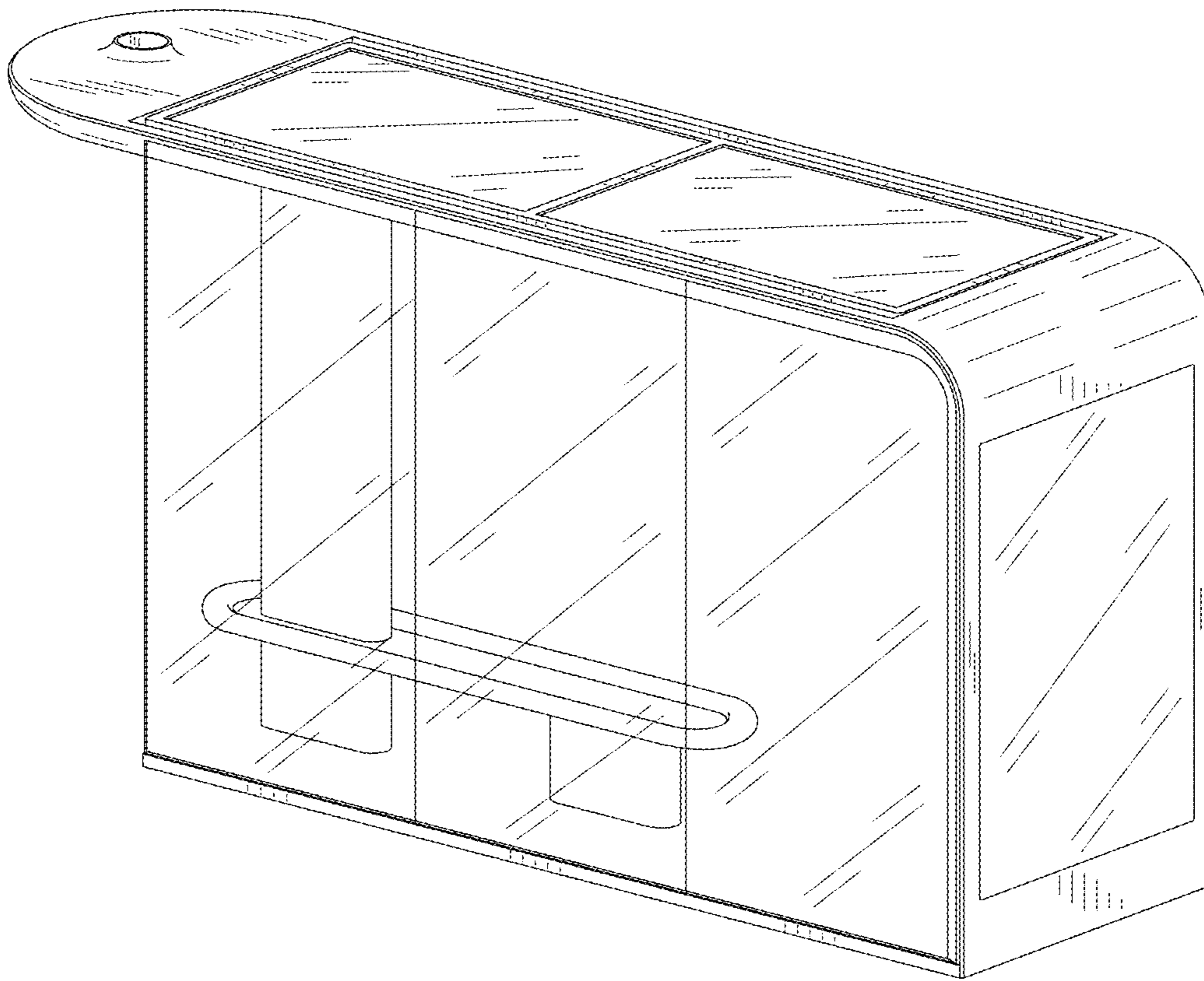


FIG. 3

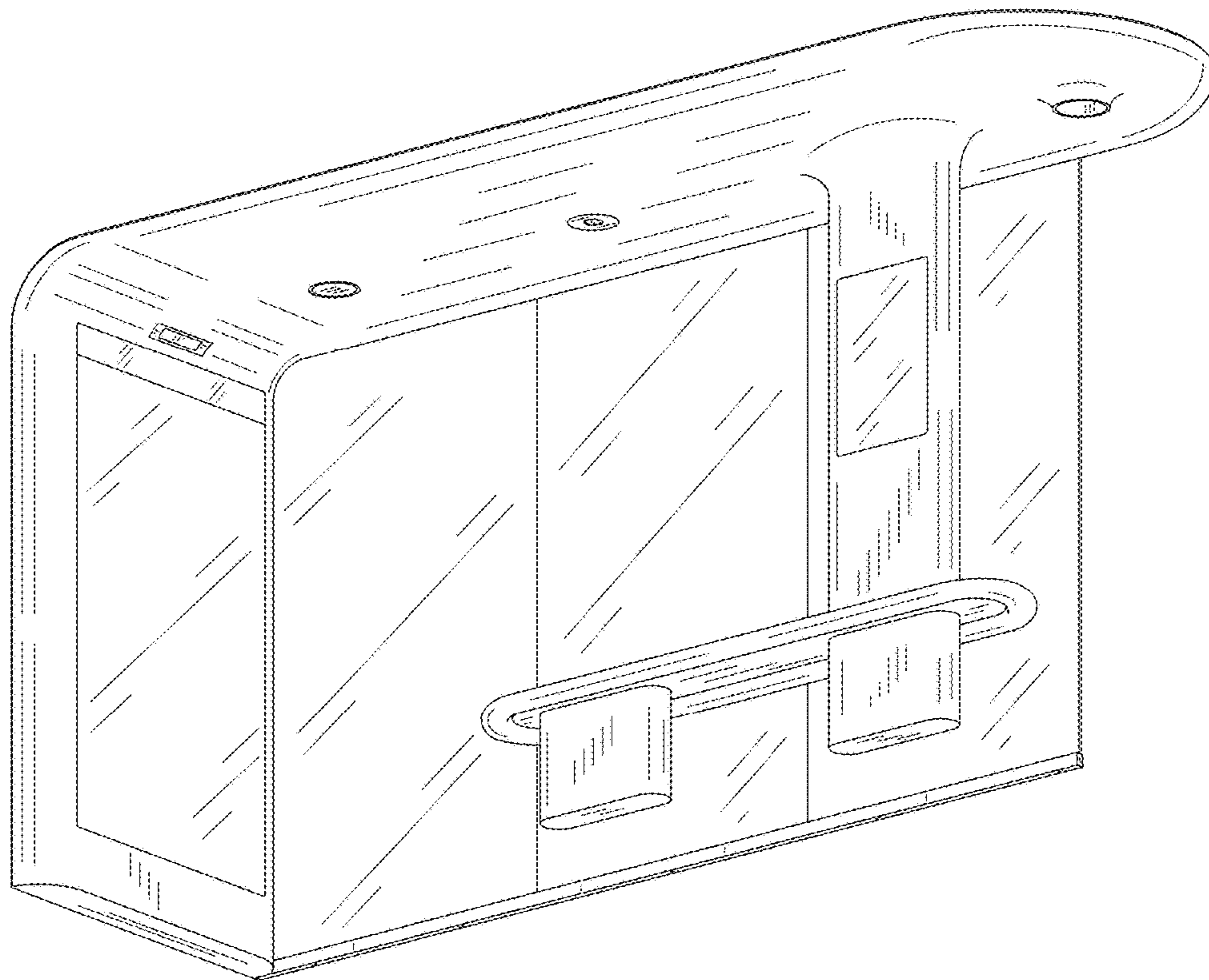


FIG. 4

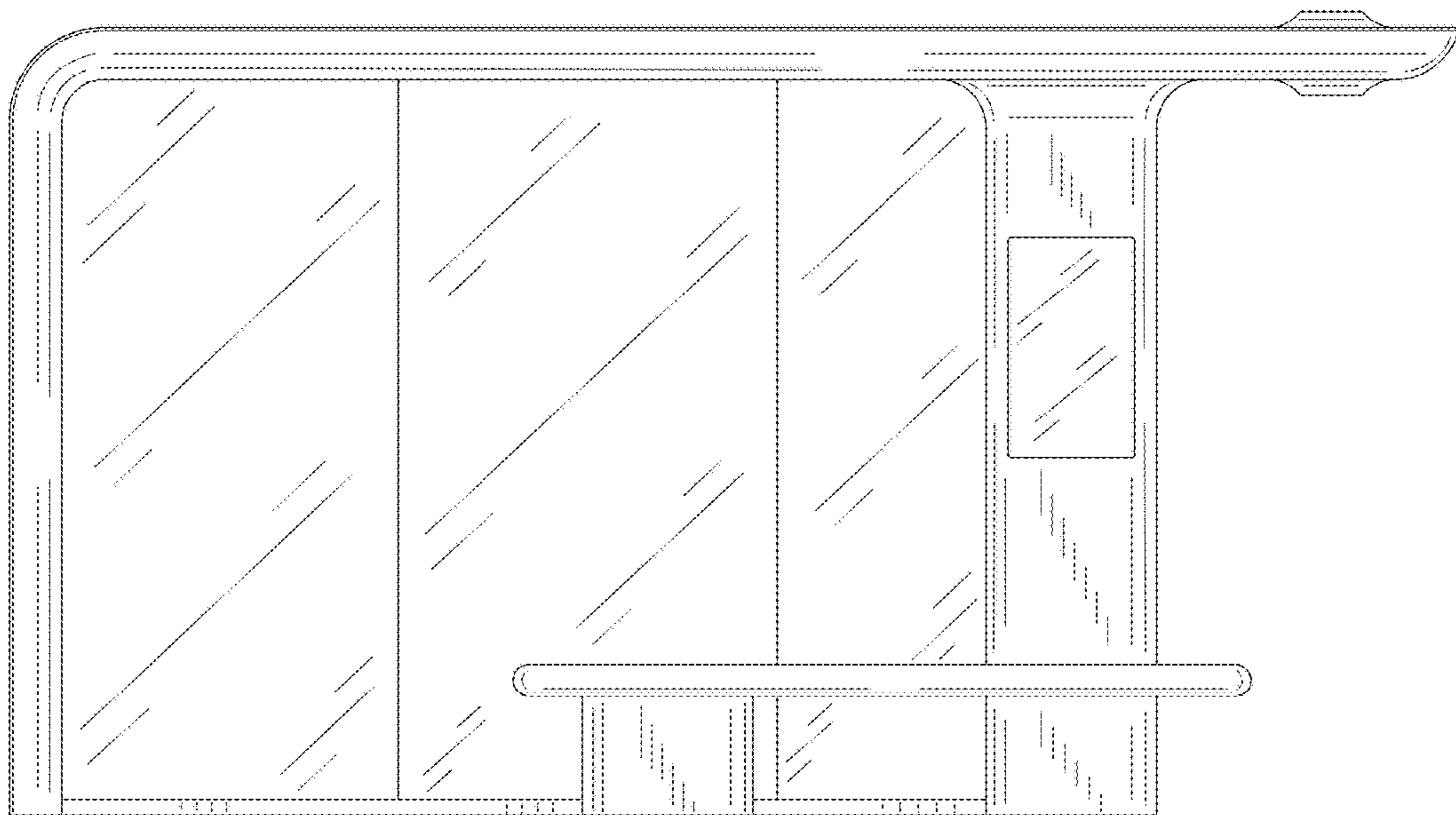


FIG. 5

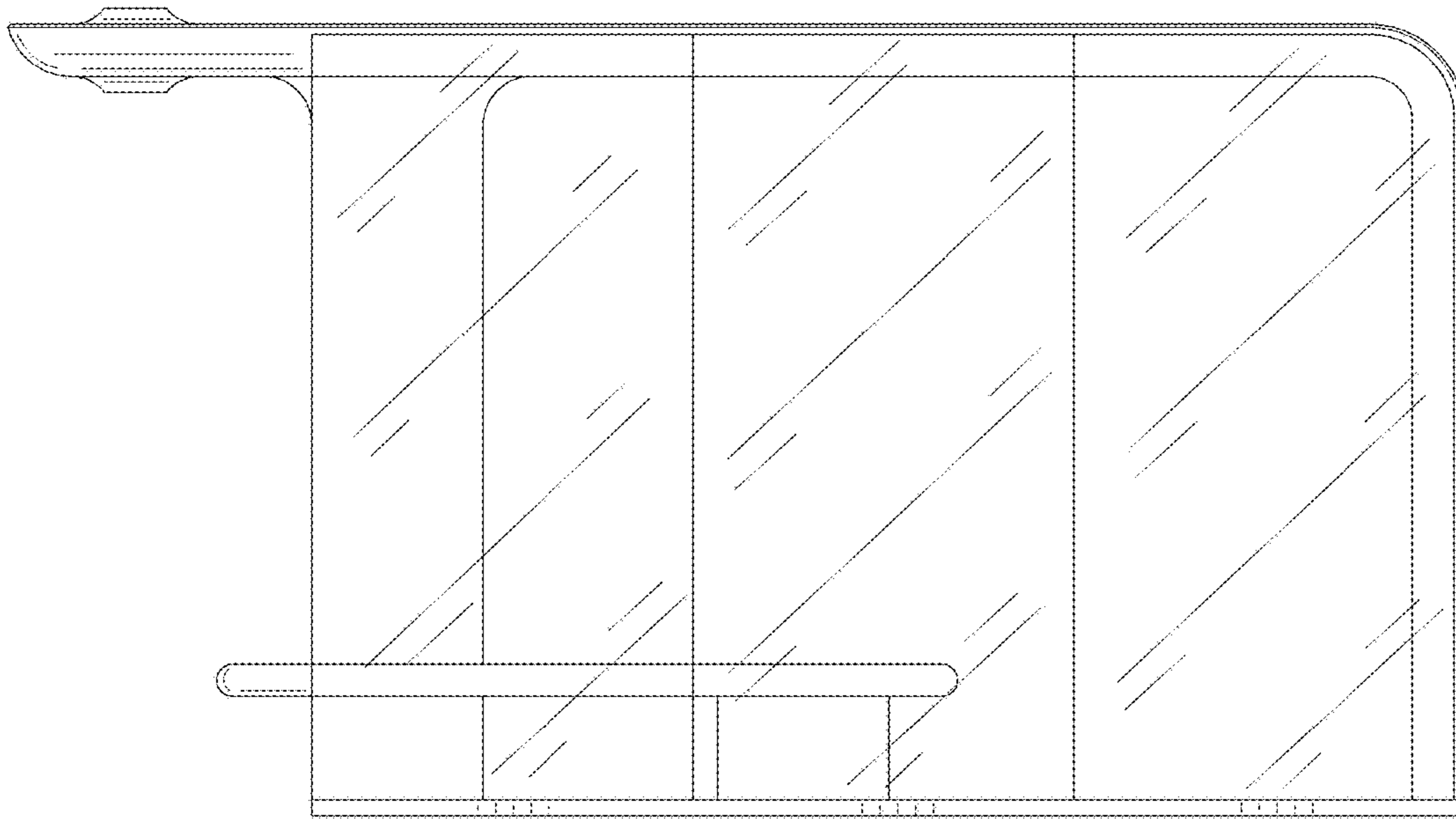


FIG. 6

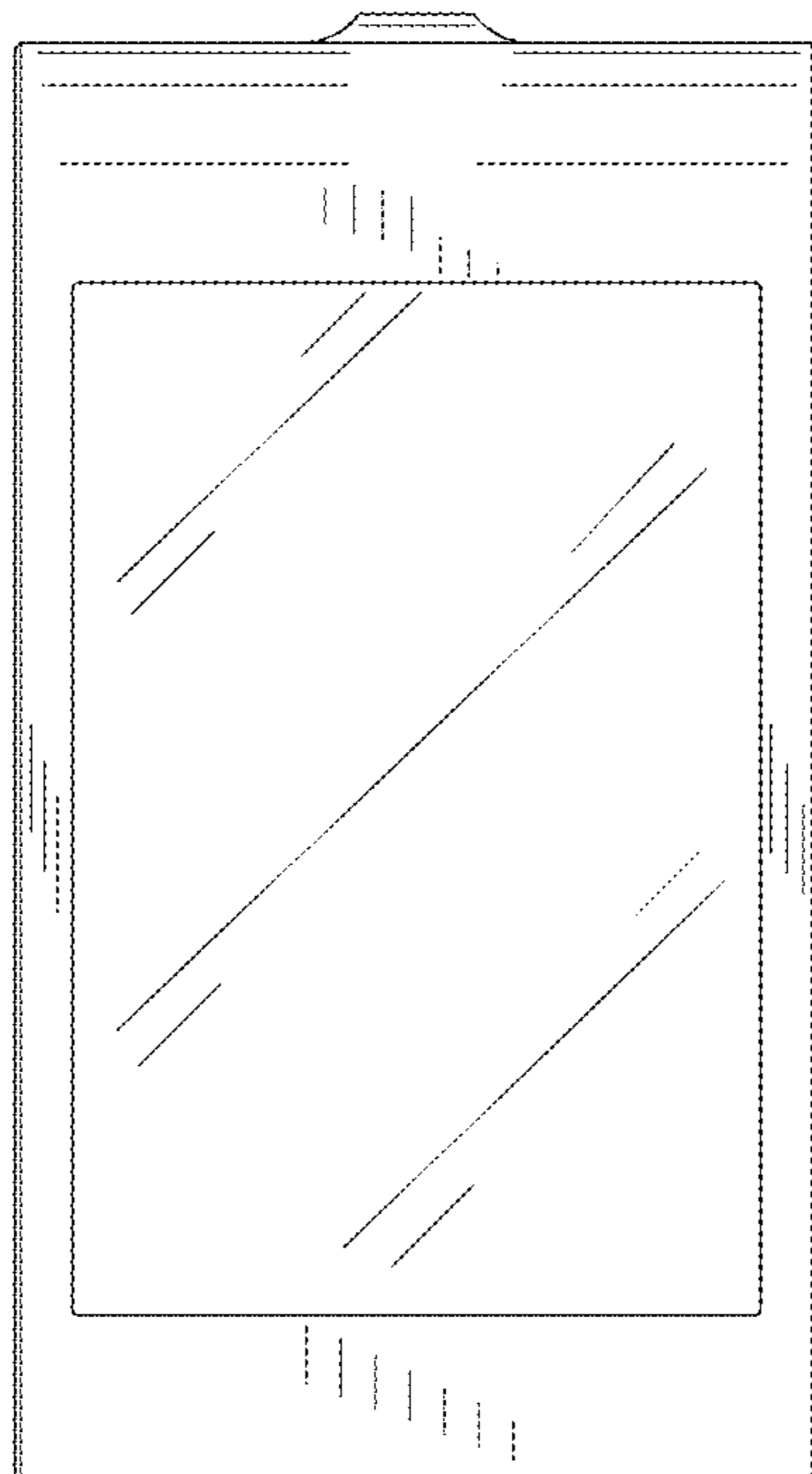


FIG. 7

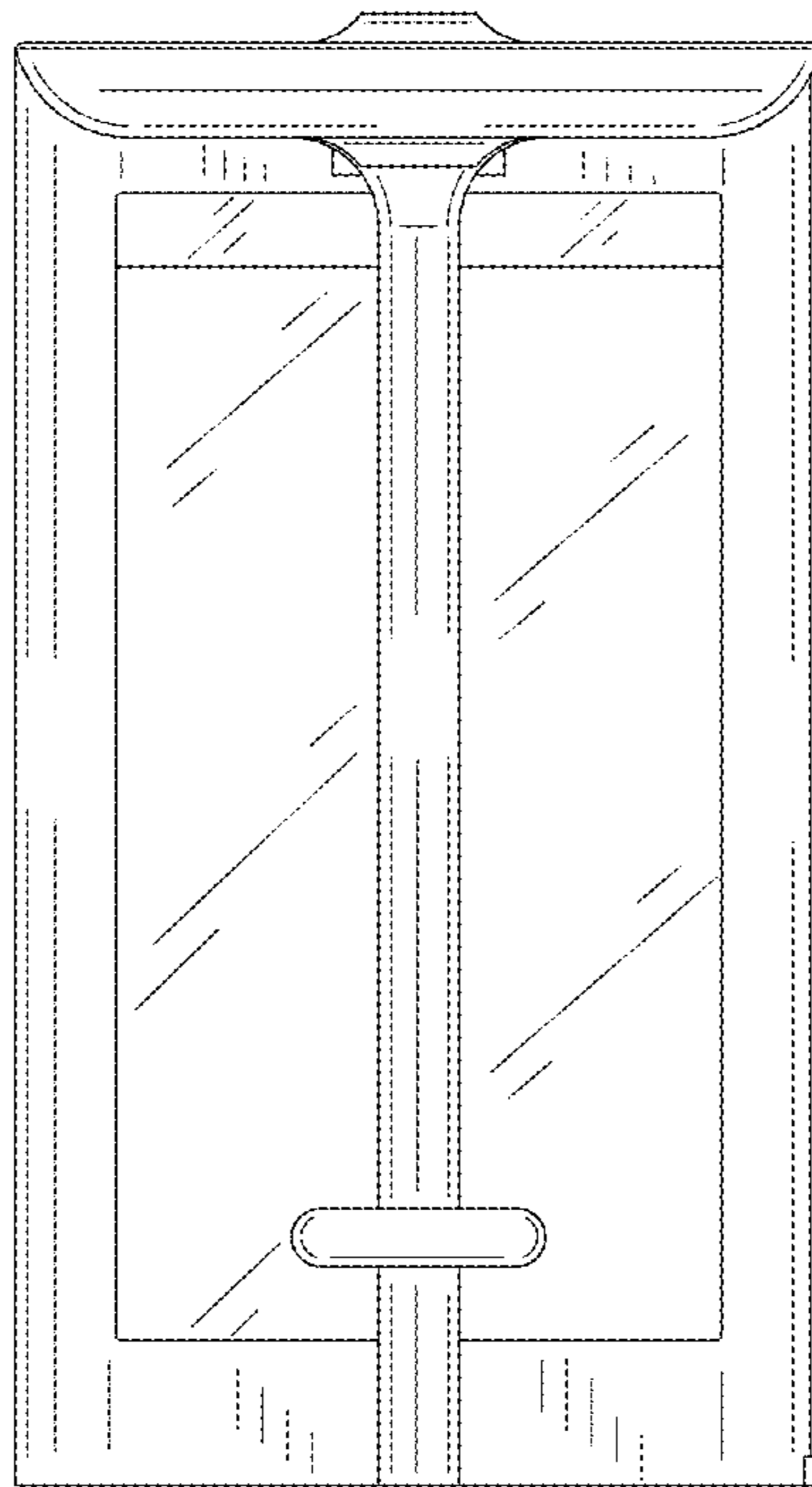


FIG. 8

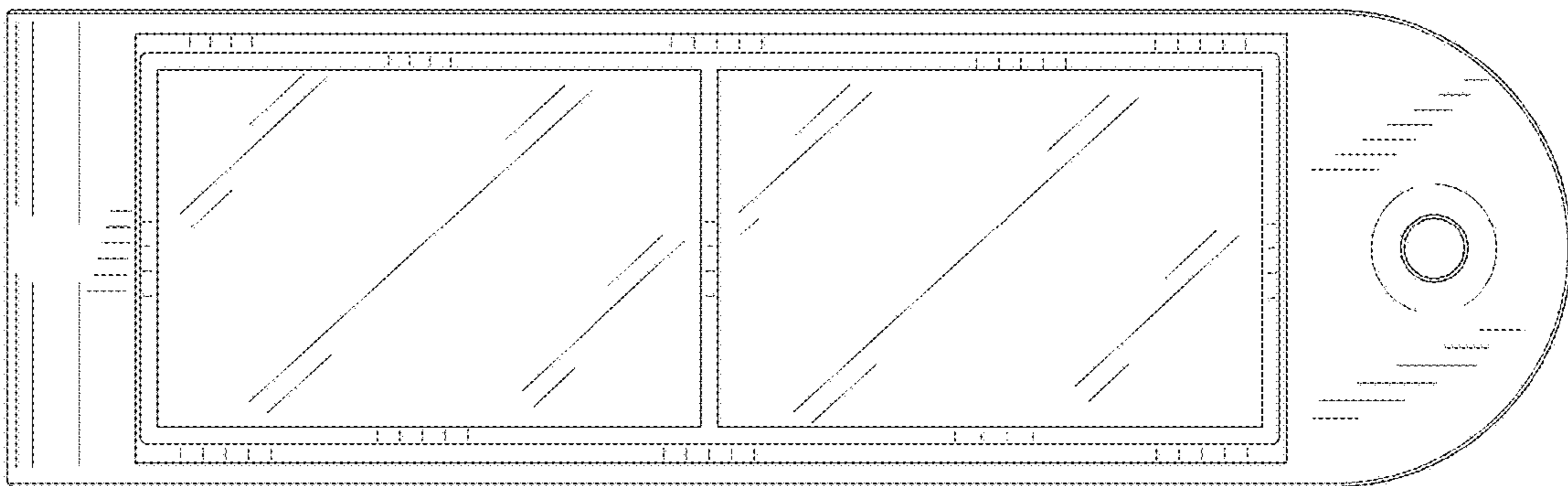


FIG. 9

