



US00D806893S

(12) **United States Design Patent**  
**Finley et al.**

(10) **Patent No.:** **US D806,893 S**  
(45) **Date of Patent:** **\*\* Jan. 2, 2018**

(54) **PROTECTIVE COVER**

(71) Applicant: **Medline Industries, Inc.**, Mundelein, IL (US)

(72) Inventors: **Christina Finley**, Libertyville, IL (US); **Michael Turturro**, Arlington Heights, IL (US); **Timur Selimkhanov**, Chicago, IL (US); **Derek Roberts**, Chicago, IL (US)

(73) Assignee: **Medline Industries, Inc.**, Northfield, IL (US)

(\*\*) Term: **15 Years**

(21) Appl. No.: **29/556,946**

(22) Filed: **Mar. 4, 2016**

(51) **LOC (11) Cl.** ..... **24-99**

(52) **U.S. Cl.**  
USPC ..... **D24/231**; D9/445

(58) **Field of Classification Search**  
USPC ..... D24/158, 186, 187, 200, 214–215, 231;  
D10/78; D9/436, 446, 449, 450, 452–454  
CPC .. A61B 8/0013; A61B 8/00137; A61B 8/4444  
See application file for complete search history.

(56) **References Cited**

**U.S. PATENT DOCUMENTS**

D225,308 S *	12/1972	Barefoot	.....	D15/5
4,901,852 A	2/1990	King		
4,910,819 A	3/1990	Brown		
D310,969 S *	10/1990	Butler	.....	D9/453
D320,562 S *	10/1991	Brester	.....	D9/452
D350,268 S *	9/1994	Grimm	.....	D8/70
D445,678 S *	7/2001	Malmborg	.....	D9/434
D506,929 S *	7/2005	Wu	.....	D9/451
D512,913 S *	12/2005	Gauthier	.....	D9/450
D562,135 S *	2/2008	Studee	.....	D9/452
D569,250 S *	5/2008	Chou	.....	D9/445
7,529,364 B2	5/2009	Buehler		

D675,526 S \* 2/2013 Obrist ..... D9/453  
D678,500 S 3/2013 Osepaishvili  
D679,594 S \* 4/2013 Stull, Sr. .... D9/452  
(Continued)

**OTHER PUBLICATIONS**

“Medline Catalog”, Exergen Temporal Scanner Thermometers Cap; Medline Catalog; www.medline.com/catalog/catalog.jsp; Unknown Publication date but believed to be prior to present application filing date.

*Primary Examiner* — Sheryl Lane

*Assistant Examiner* — Calvin E Vasant

(74) *Attorney, Agent, or Firm* — Philip H. Burrus, IV

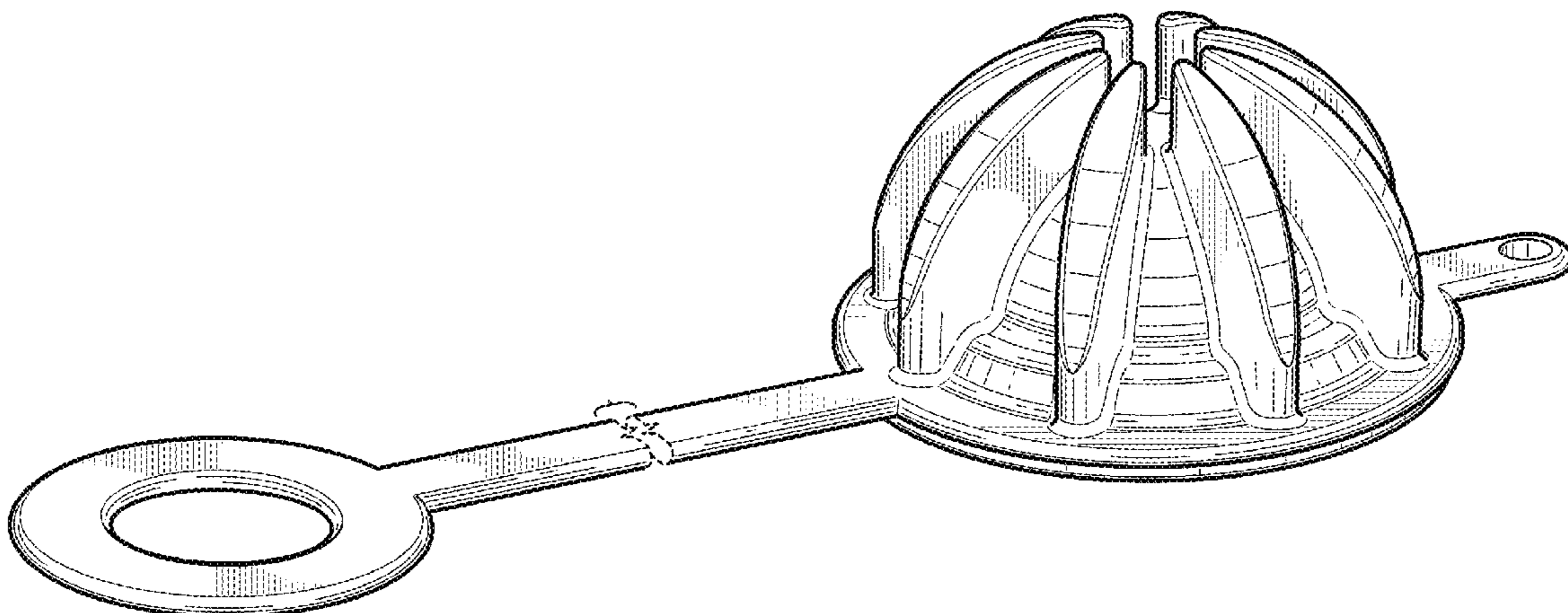
(57) **CLAIM**

The ornamental design for a protective cover, as shown and described.

**DESCRIPTION**

FIG. 1 is a top, rear, right perspective view of a protective cover showing our new design; FIG. 2 is a top, rear, left perspective view thereof; FIG. 3 is bottom, front, left perspective view thereof; FIG. 4 is a front elevation view thereof; FIG. 5 is a rear elevation view thereof; FIG. 6 is a right elevation view thereof; FIG. 7 is a left elevation view thereof; FIG. 8 is a top plan view thereof; FIG. 9 is a bottom plan view thereof; FIG. 10 is a perspective view of the protective cover coupled to a device with the protective cover in an unattached configuration; and, FIG. 11 is a perspective view of the protective cover coupled to the device with the protective cover in an attached configuration. All broken lines showing parts of the drawings are included for the purpose of illustrating use and environment and form no part of the claimed design.

**1 Claim, 9 Drawing Sheets**



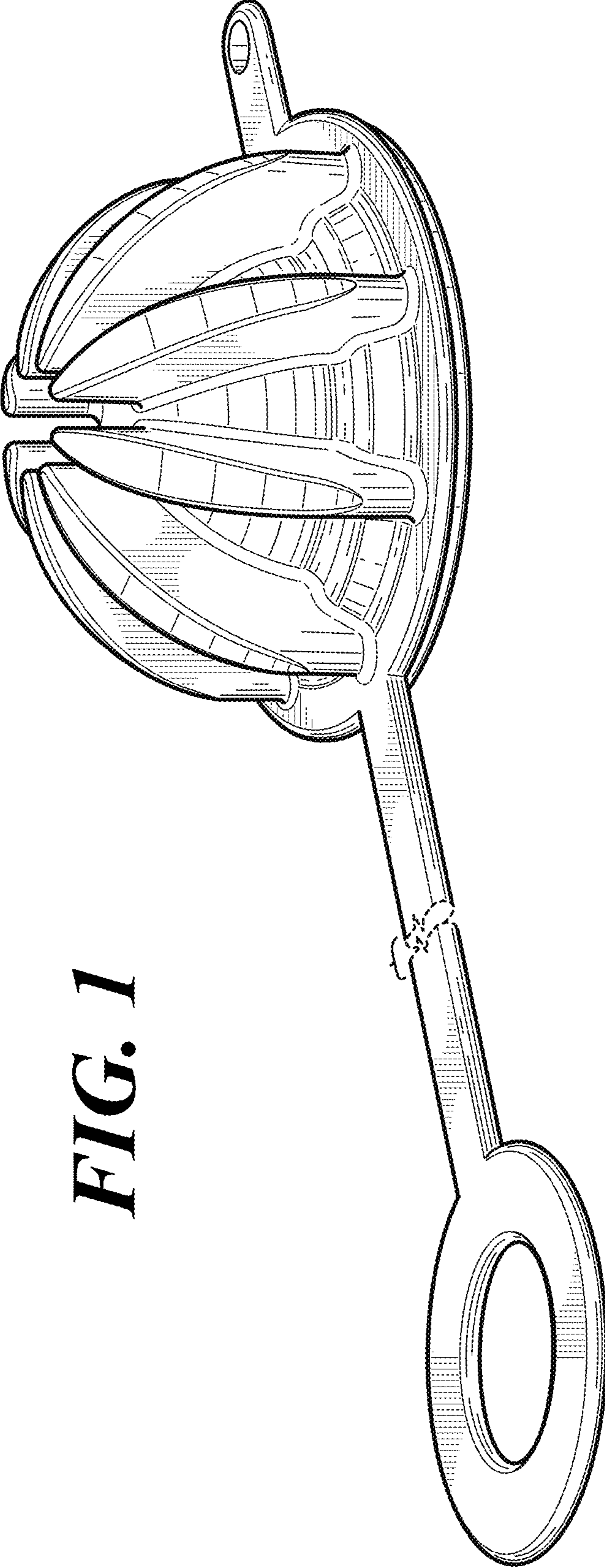
(56)

**References Cited**

U.S. PATENT DOCUMENTS

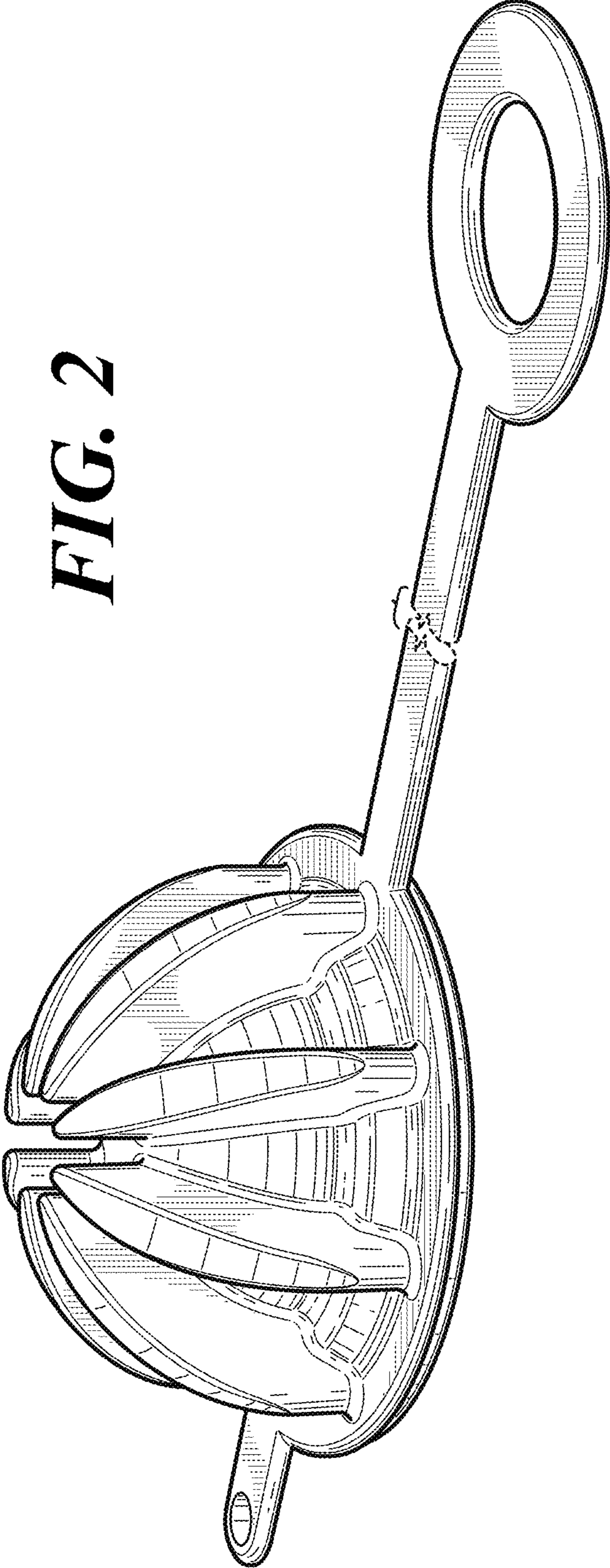
D682,017	S *	5/2013	Smiedt .....	D7/392.1
D684,058	S *	6/2013	Kwon .....	D9/453
D704,052	S *	5/2014	Yoshii .....	D9/435
D716,143	S *	10/2014	Schulz .....	D9/454
D718,127	S *	11/2014	Moriyama .....	D9/438
D724,745	S *	3/2015	Orome .....	D24/186
D753,998	S *	4/2016	Murphey .....	D9/446
D763,696	S *	8/2016	Eisen .....	D9/443
D776,533	S *	1/2017	Kikel .....	D9/446
D779,951	S *	2/2017	Servaire .....	D9/454
2004/0214130	A1	10/2004	Fischer et al.	
2005/0247714	A1 *	11/2005	Backes .....	B65D 51/24 220/375
2007/0199914	A1 *	8/2007	Hung .....	B65D 47/243 215/311
2009/0194531	A1 *	8/2009	Branco .....	A47G 19/2205 220/23.83

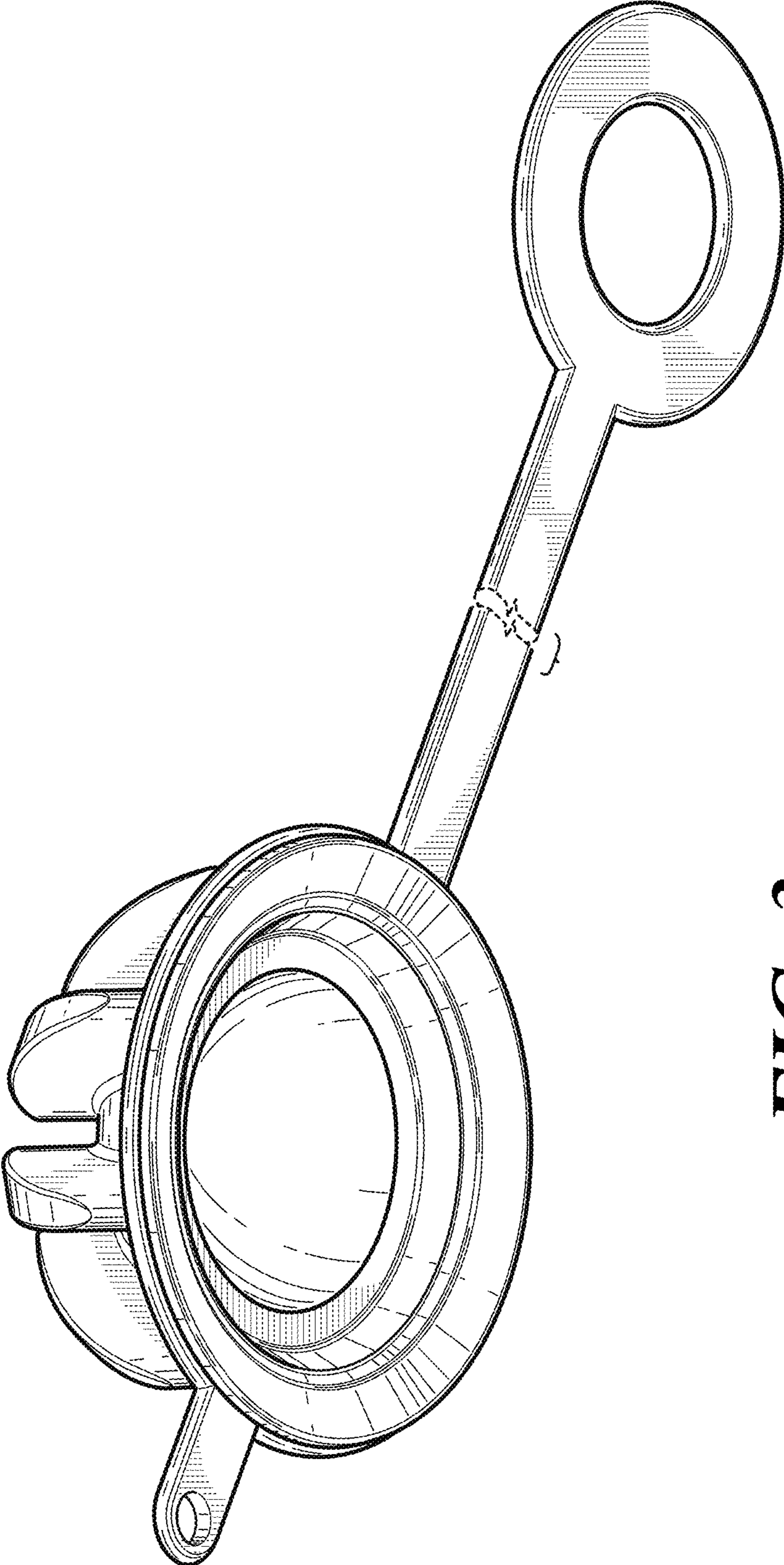
\* cited by examiner



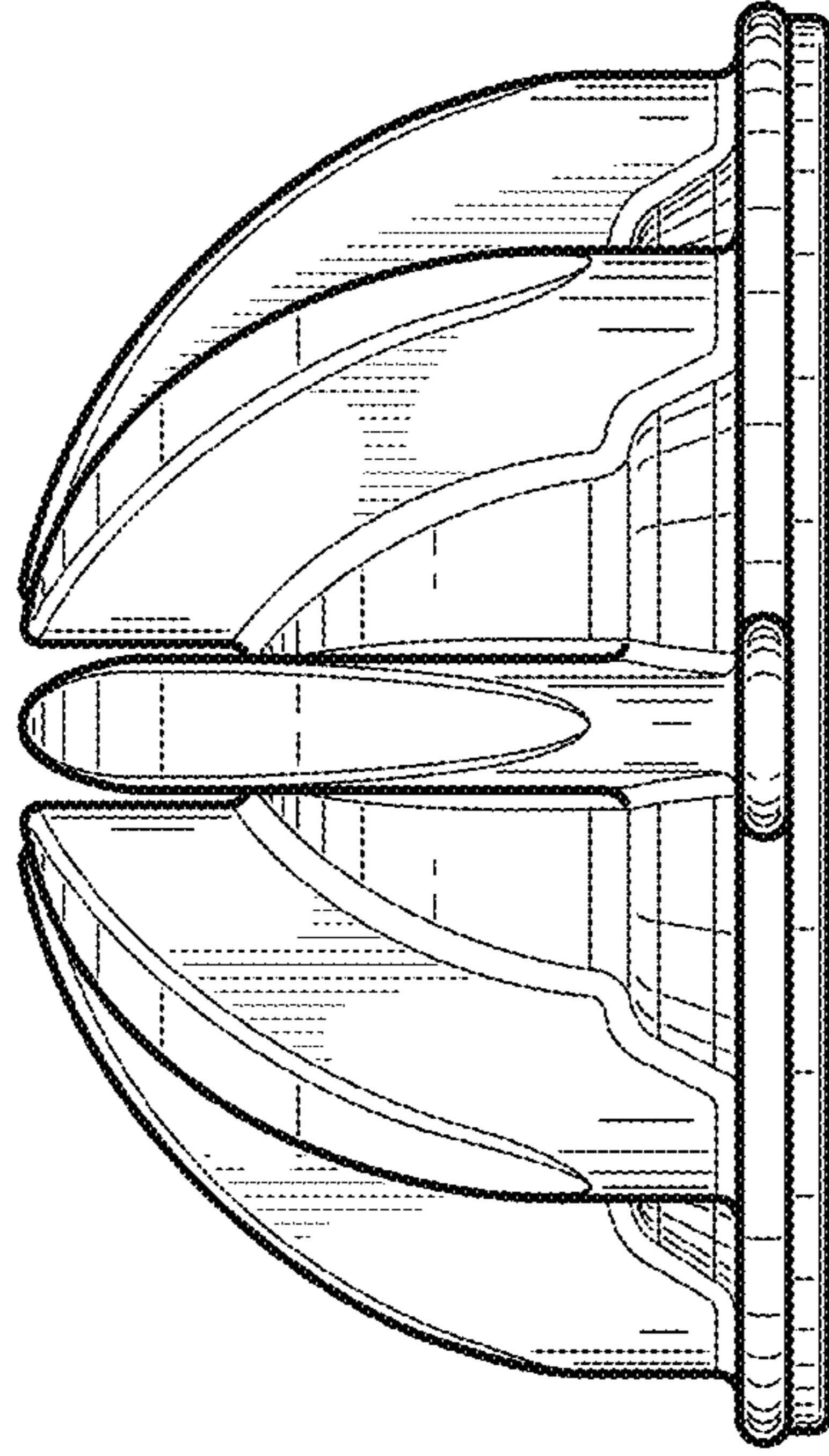
**FIG. 1**

**FIG. 2**

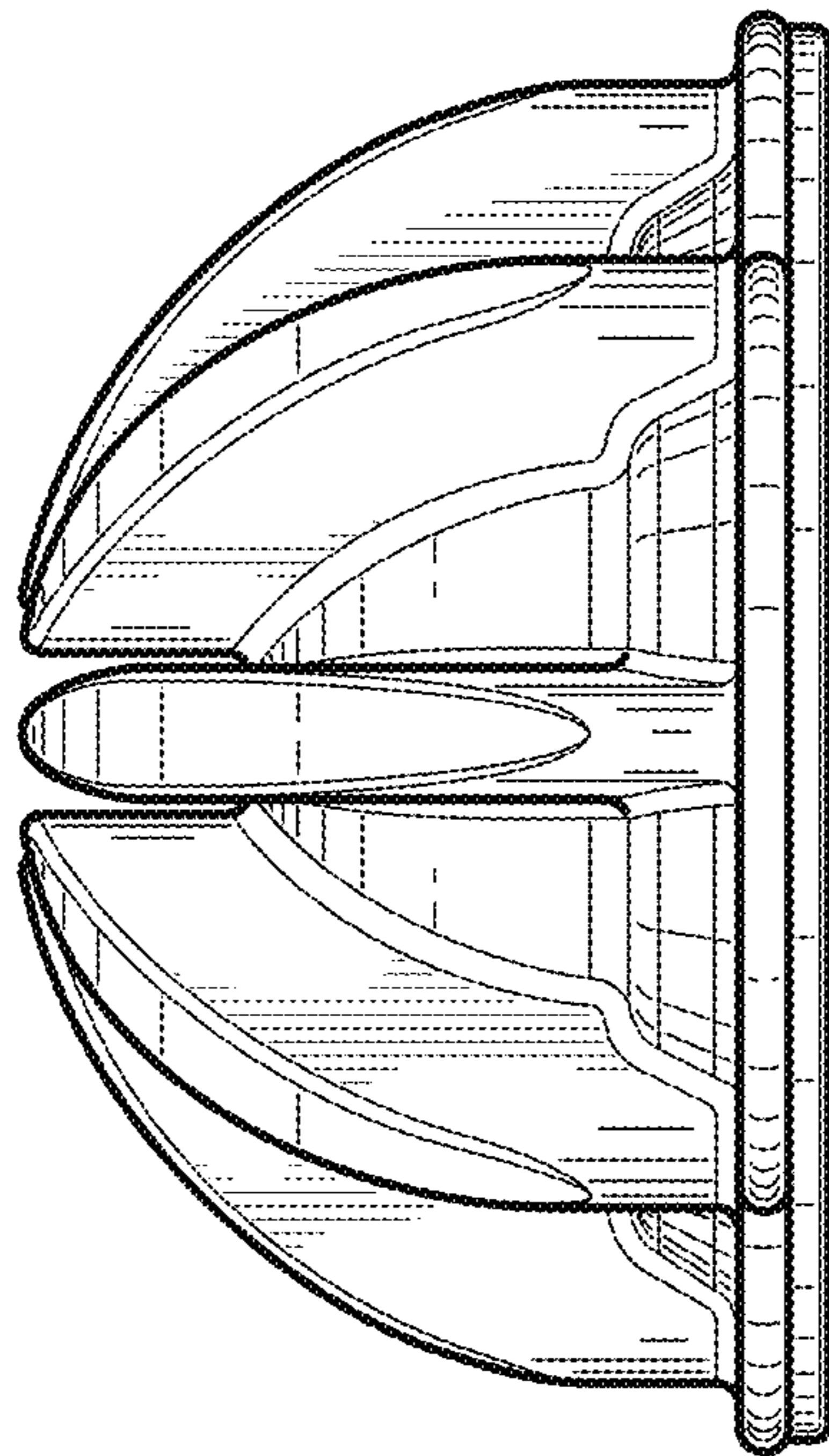




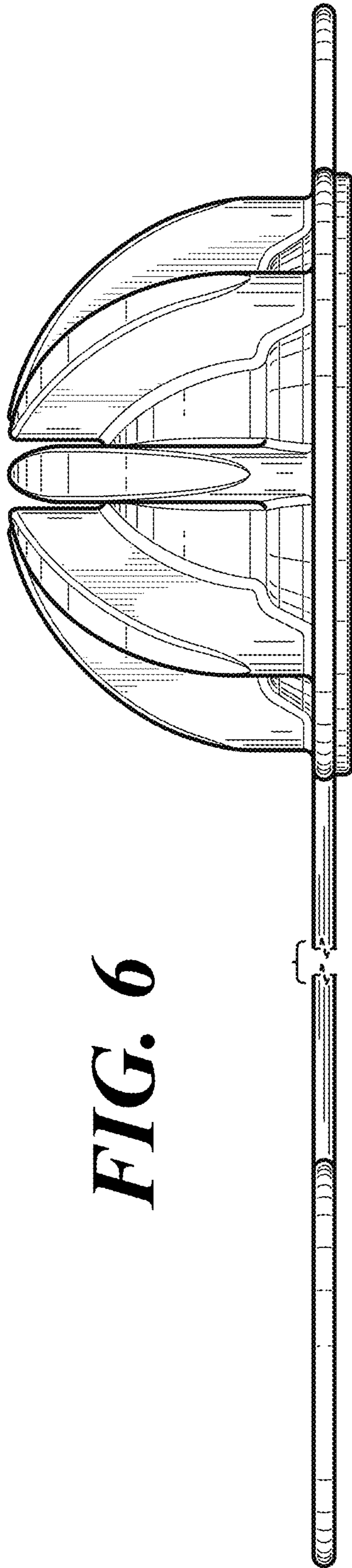
**FIG. 3**



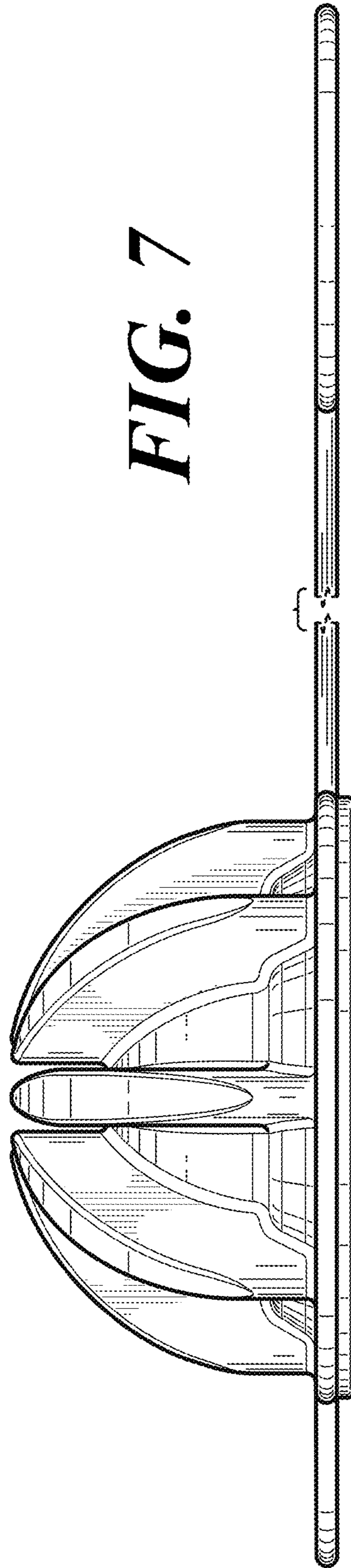
**FIG. 4**



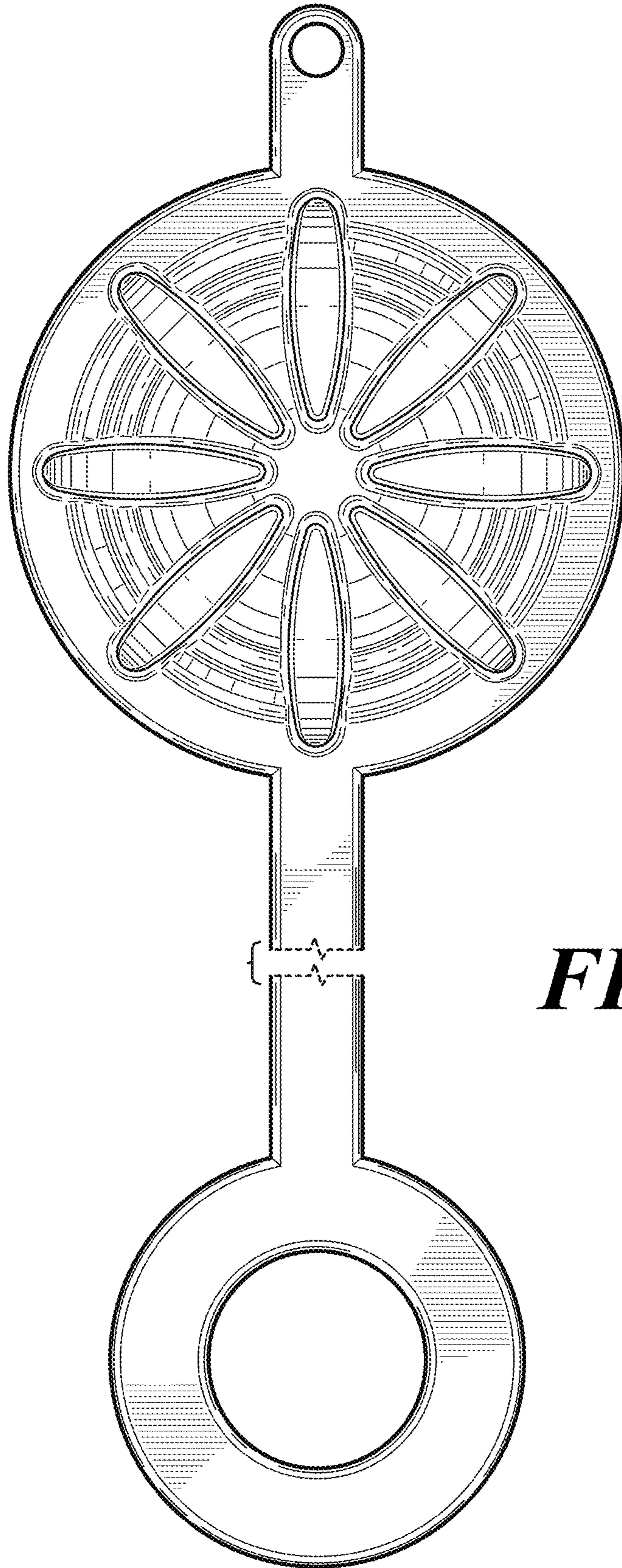
**FIG. 5**



**FIG. 6**

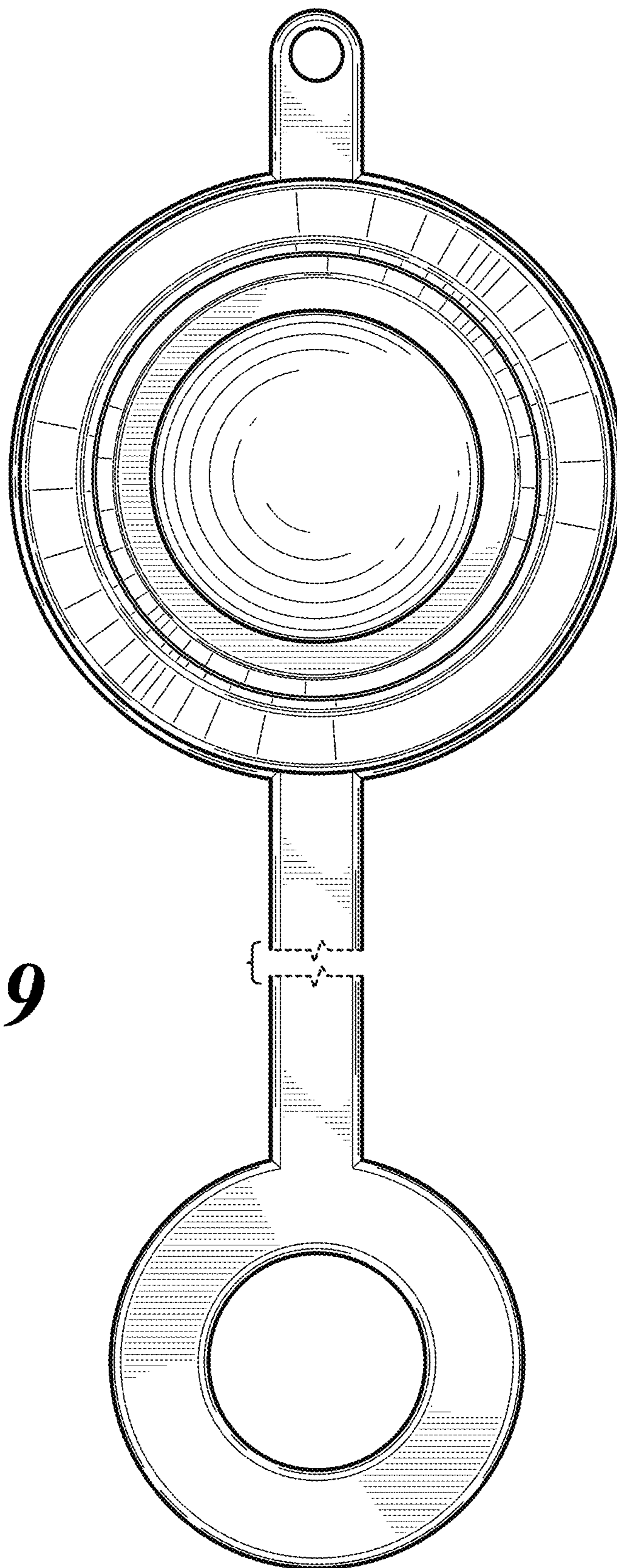


**FIG. 7**



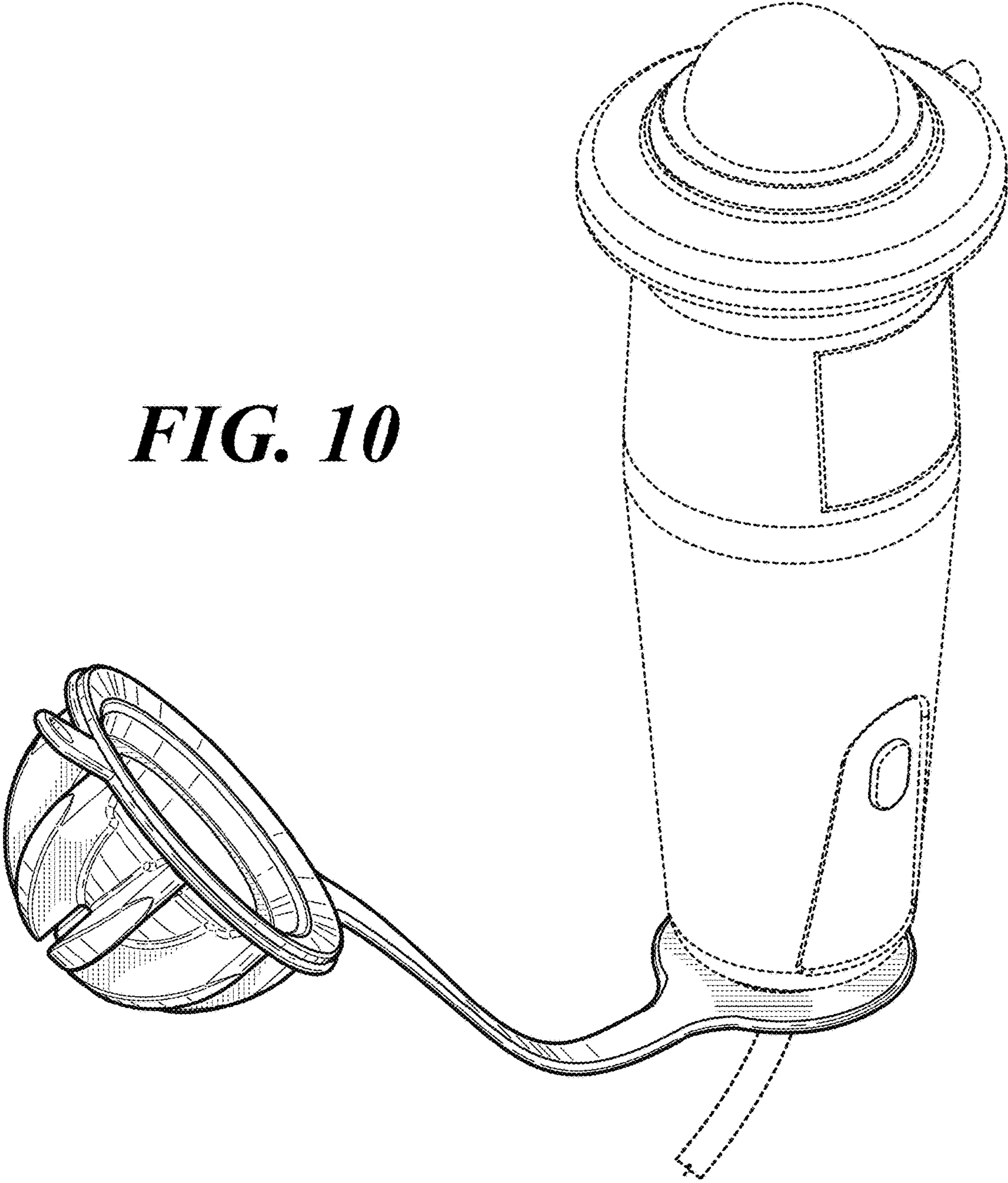
***FIG. 8***

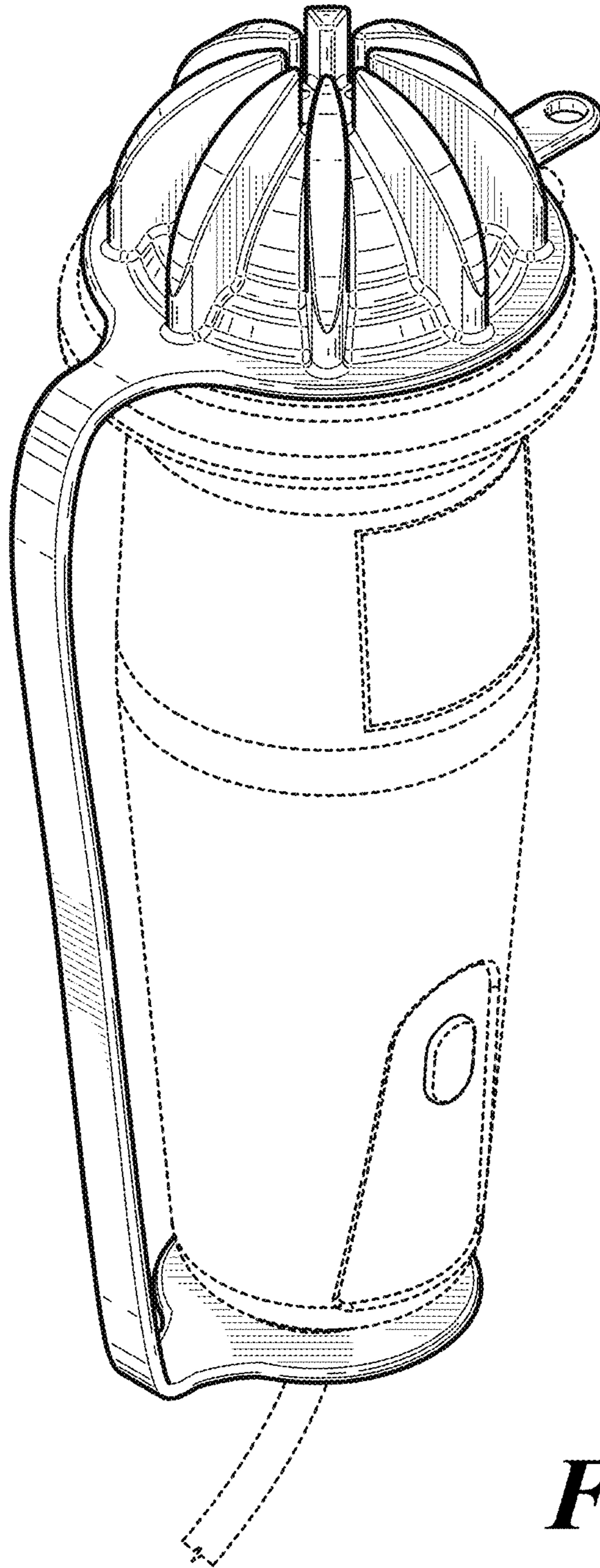




***FIG. 9***

**FIG. 10**





**FIG. 11**