



US00D806892S

(12) **United States Design Patent**
Walden, II et al.

(10) **Patent No.:** **US D806,892 S**
(45) **Date of Patent:** **** Jan. 2, 2018**

(54) **TIP OF A SAMPLE HOLDER**
(71) Applicant: **PROTOCHIPS, INC.**, Raleigh, NC (US)
(72) Inventors: **Franklin Stampley Walden, II**, Raleigh, NC (US); **Daniel Stephen Gardiner**, Wake Forest, NC (US); **John Damiano, Jr.**, Apex, NC (US); **David P. Nackashi**, Raleigh, NC (US)

5,359,640 A * 10/1994 Fink G01N 23/207
378/206
5,367,171 A * 11/1994 Aoyama H01J 37/20
250/442.11
5,698,856 A * 12/1997 Frasca H01J 37/20
250/440.11
6,968,037 B2 * 11/2005 Rosso B01L 3/50255
378/71
7,471,766 B2 * 12/2008 Dosho G01N 23/20
378/71
D628,709 S * 12/2010 Burdett, Jr. D24/216
7,986,005 B2 * 7/2011 Schilling H01L 29/42368
257/339

(73) Assignee: **Protochips, Inc.**, Raleigh, NC (US)
(**) Term: **14 Years**

* cited by examiner

(21) Appl. No.: **29/494,233**

Primary Examiner — Susan Bennett Hattan

Assistant Examiner — Rebecca Tsehaye

(22) Filed: **Jun. 18, 2014**

(74) *Attorney, Agent, or Firm* — NK Law Offices, PLLC

(51) **LOC (11) Cl.** **24-02**

(52) **U.S. Cl.**
USPC **D24/225**

(58) **Field of Classification Search**
USPC D24/224, 225, 226, 216; 378/45, 78, 79,
378/71, 206
CPC G01N 23/20025; G01N 23/0033; G01N
23/0041; H01J 37/20
See application file for complete search history.

(57) **CLAIM**

We claim the ornamental design for the tip of a sample holder, as shown and described.

DESCRIPTION

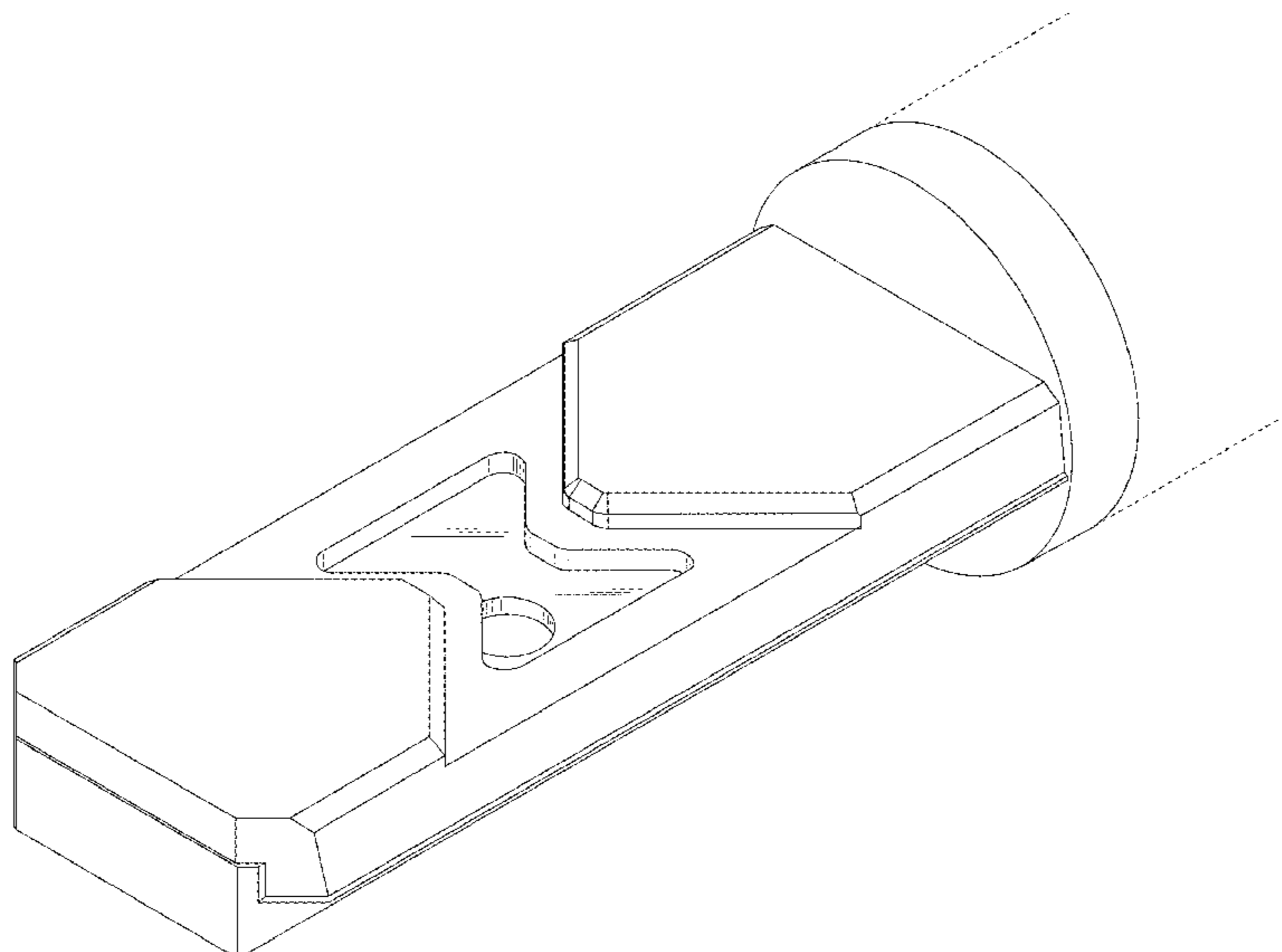
FIG. 1 is a perspective view of the tip of the sample holder of the invention.
FIG. 2 is a top plan view of the tip of the sample holder of FIG. 1.
FIG. 3 is a bottom view of the tip of the sample holder of FIG. 1.
FIG. 4 is a side view of the tip of the sample holder of FIG. 1.
FIG. 5 is another side view of the tip of the sample holder of FIG. 1; and,
FIG. 6 is a front view of the tip of the sample holder of FIG. 1.

(56) **References Cited**

U.S. PATENT DOCUMENTS

4,974,244 A * 11/1990 Torrisi G01N 23/2204
378/45
D320,269 S * 9/1991 Hammond D24/225
5,084,910 A * 1/1992 Albe G01N 23/20025
378/208
5,127,039 A * 6/1992 Hesch G01N 23/20025
250/491.1
5,350,923 A * 9/1994 Bassignana G01N 23/20025
250/453.11

1 Claim, 4 Drawing Sheets



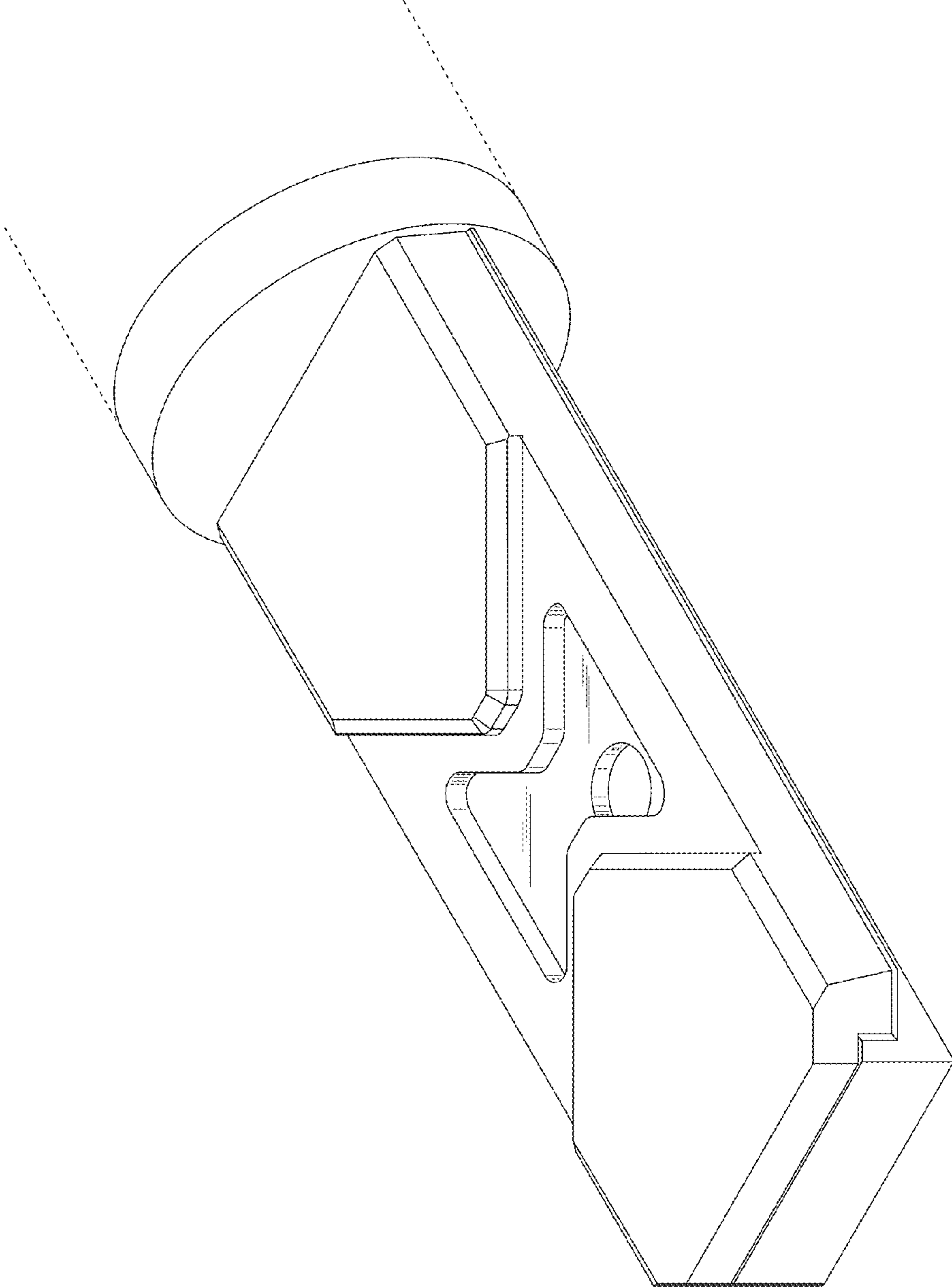


FIG. 1

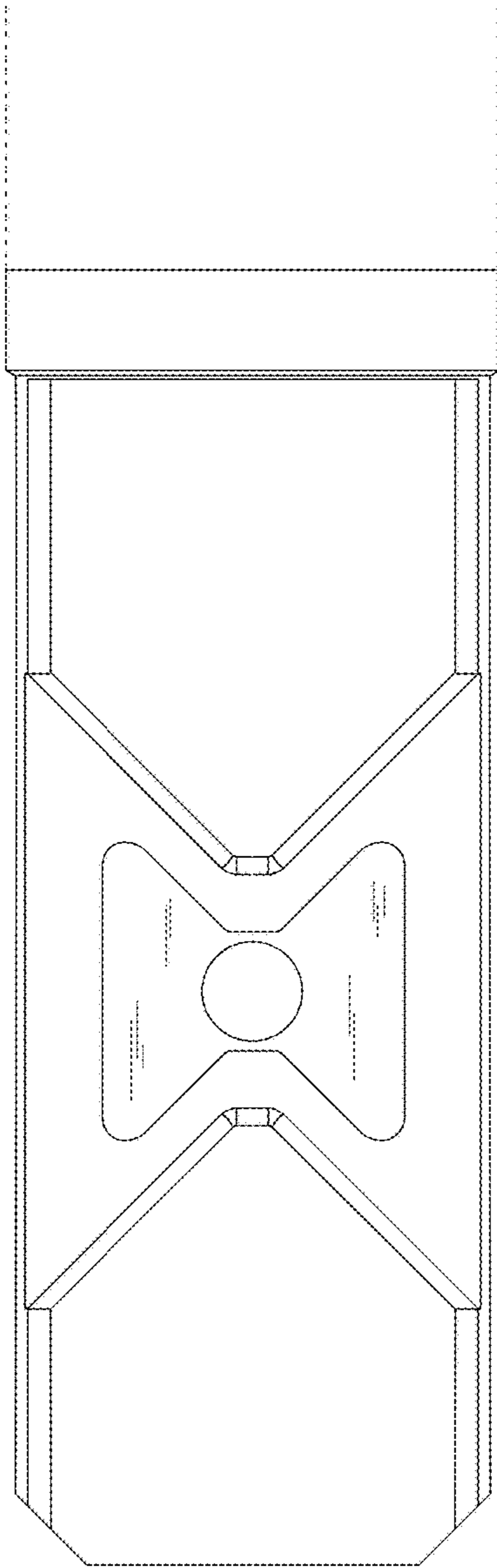


FIG. 2

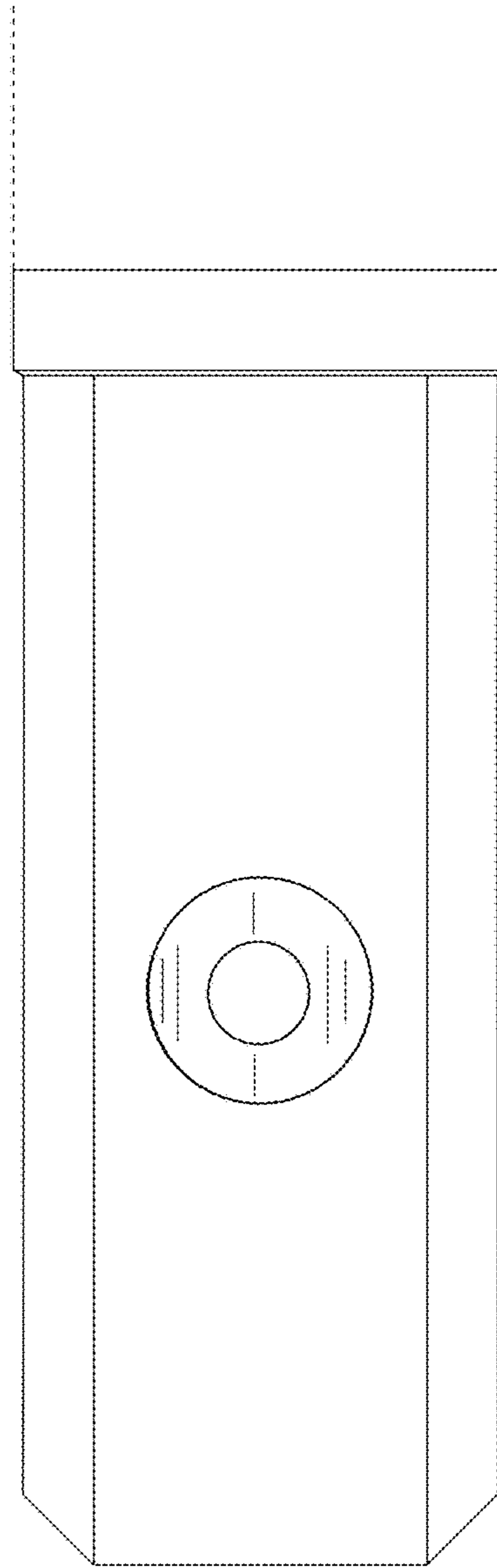


FIG. 3

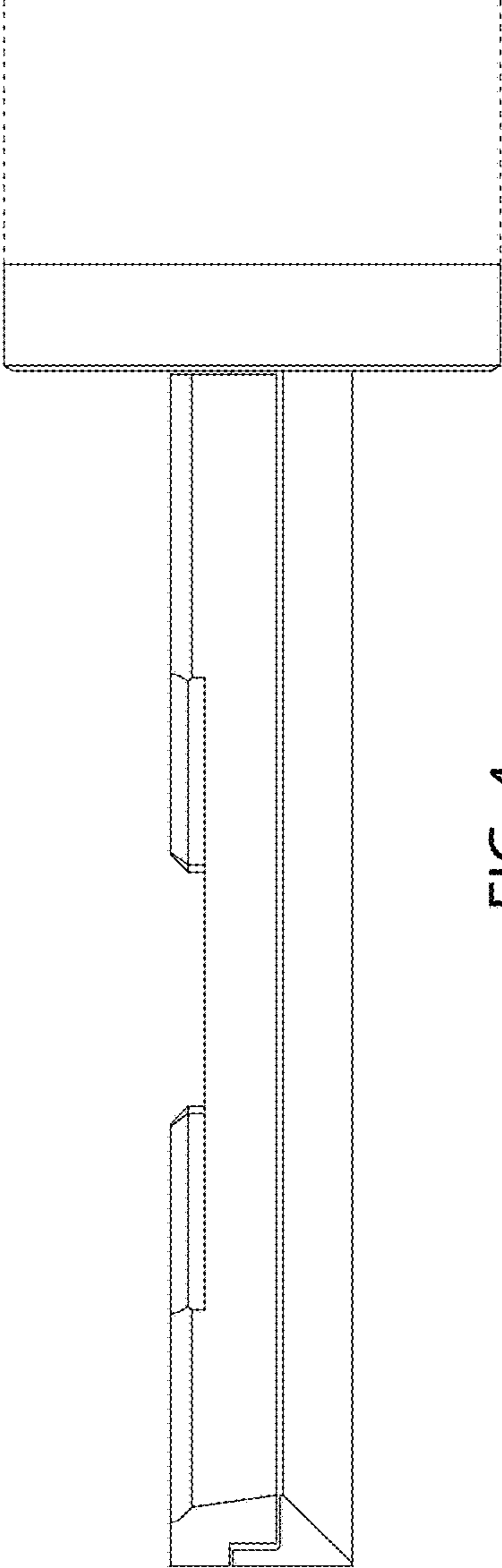


FIG. 4

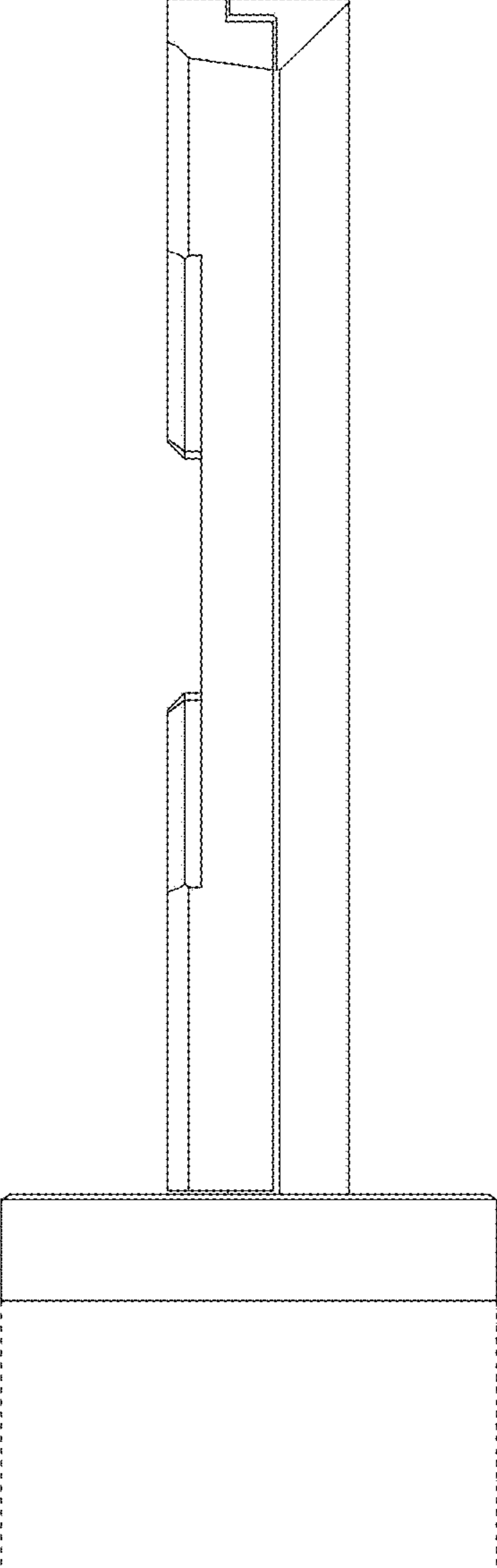


FIG. 5

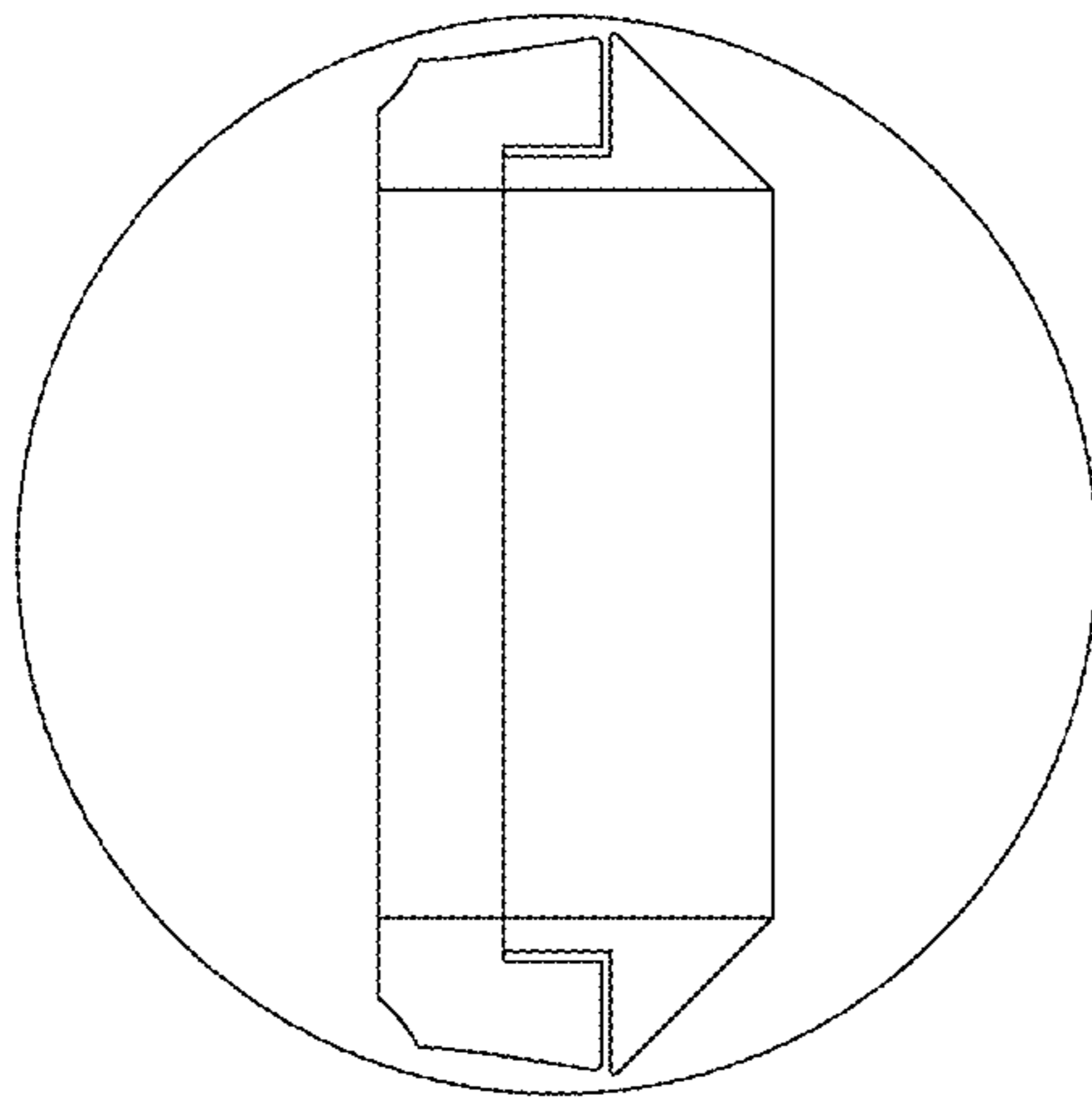


FIG. 6