



US00D806890S

(12) **United States Design Patent** (10) **Patent No.:** **US D806,890 S**
Williams et al. (45) **Date of Patent:** **** Jan. 2, 2018**

(54) **TEST CARTRIDGE**

(57) **CLAIM**

(71) Applicant: **FUNDAMENTAL SOLUTIONS CORPORATION**, Easton, PA (US)

The ornamental design for a test cartridge, as shown and described.

(72) Inventors: **Marvin R. Williams**, Easton, PA (US);
Charles McBairty, Easton, PA (US);
Daniel W. Pfautz, Hatfield, PA (US);
Andrew Weiman, Langhorne, PA (US)

DESCRIPTION

(73) Assignee: **Fundamental Solutions Corporation**, Easton, PA (US)

FIG. 1 is a top, front perspective view of a test cartridge, wherein the front portion of test cartridge is shown in an open position;

(**) Term: **15 Years**

FIG. 2 is a top, rear perspective view of the test cartridge of FIG. 1;

(21) Appl. No.: **29/533,687**

FIG. 3. is a bottom, rear perspective view of the test cartridge of FIG. 1;

(22) Filed: **Jul. 21, 2015**

FIG. 4 is a top view of the test cartridge of FIG. 1;

Related U.S. Application Data

(63) Continuation-in-part of application No. 14/669,970, filed on Mar. 26, 2015, and a continuation-in-part of application No. 29/506,772, filed on Oct. 20, 2014.

FIG. 5 is a bottom view of the test cartridge of FIG. 1;

(51) **LOC (11) Cl.** **24-01**

FIG. 6 is a left-side view of the test cartridge of FIG. 1;

(52) **U.S. Cl.**
USPC **D24/216**

FIG. 7 is a right-side view of the test cartridge of FIG. 1;

(58) **Field of Classification Search**
USPC D24/216-230, 231, 232, 107, 169, 186;
D10/81

FIG. 8 is a front view of the test cartridge of FIG. 1;

(Continued)

FIG. 9 is a rear view of the test cartridge of FIG. 1;

(56) **References Cited**

U.S. PATENT DOCUMENTS

5,744,322 A * 4/1998 Krejcarek G01N 35/00029
435/286.2

D559,995 S * 1/2008 Handique D24/232

(Continued)

FIG. 10 is a top, front perspective view of the test cartridge of FIG. 1, wherein the test cartridge has been fully inserted into a test cartridge base, and wherein the front portion of the test cartridge is shown in a closed position;

FIG. 11 is a top, rear perspective view of the test cartridge of FIG. 1, wherein the test cartridge has been fully inserted into a test cartridge base, and wherein the front portion of the test cartridge is shown in a closed position;

FIG. 12 is a top view of the test cartridge of FIG. 1, wherein the test cartridge has been fully inserted into a test cartridge base, and wherein the front portion of the test cartridge is shown in a closed position;

FIG. 13 is a bottom view of the test cartridge of FIG. 1, wherein the test cartridge has been fully inserted into a test cartridge base; and wherein the front portion of the test cartridge is shown in a closed position; and,

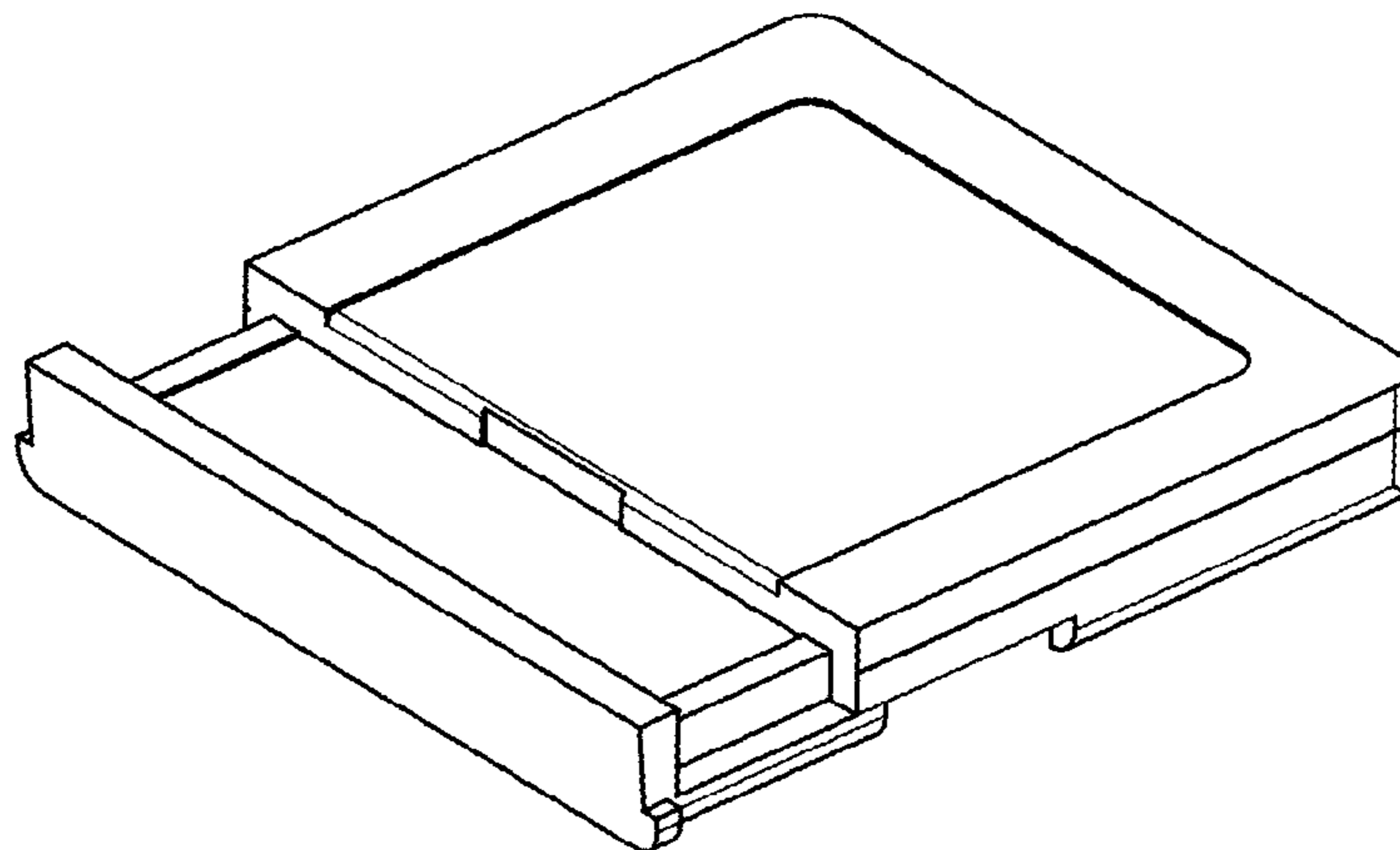
FIG. 14 is a front view of the test cartridge of FIG. 1, wherein the test cartridge has been fully inserted into a test cartridge base, and wherein the front portion of the test cartridge is shown in a closed position.

The broken lines in FIGS. 10-14 depict environmental subject matter and form no part of the claimed design.

Primary Examiner — Anhdao Doan

(74) *Attorney, Agent, or Firm* — Frost Brown Todd LLC

1 Claim, 5 Drawing Sheets



(58) **Field of Classification Search**

CPC B01L 2200/10; B01L 2200/16; B01L
2300/0809; B01L 2300/0816; B01L
2300/0822; B01L 2300/0829; B01L
2300/0832; B01L 2300/0806; B01L
2300/0861; G01N 21/0483; G01N
21/0303; G01N 35/00029; G01N
2035/00019; G01N 2035/00306; G01N
2035/00326

See application file for complete search history.

(56) **References Cited**

U.S. PATENT DOCUMENTS

D633,209	S *	2/2011	Boessneck	D24/169
D645,971	S *	9/2011	Taylor	D24/216
D668,350	S *	10/2012	Rowley	D24/225
D680,228	S *	4/2013	Choi	D24/224
D734,482	S *	7/2015	Peterman	D24/216
2004/0161855	A1 *	8/2004	Kvasnik	G01N 35/00029 436/165
2006/0108218	A1 *	5/2006	Gephart	G01N 33/48771 204/400
2013/0149775	A1 *	6/2013	Williams	G01N 21/75 435/287.2
2013/0171044	A1 *	7/2013	Nikonorov	G01N 35/1097 422/554
2015/0346097	A1 *	12/2015	Battrell	G01N 21/6428 435/6.11

* cited by examiner

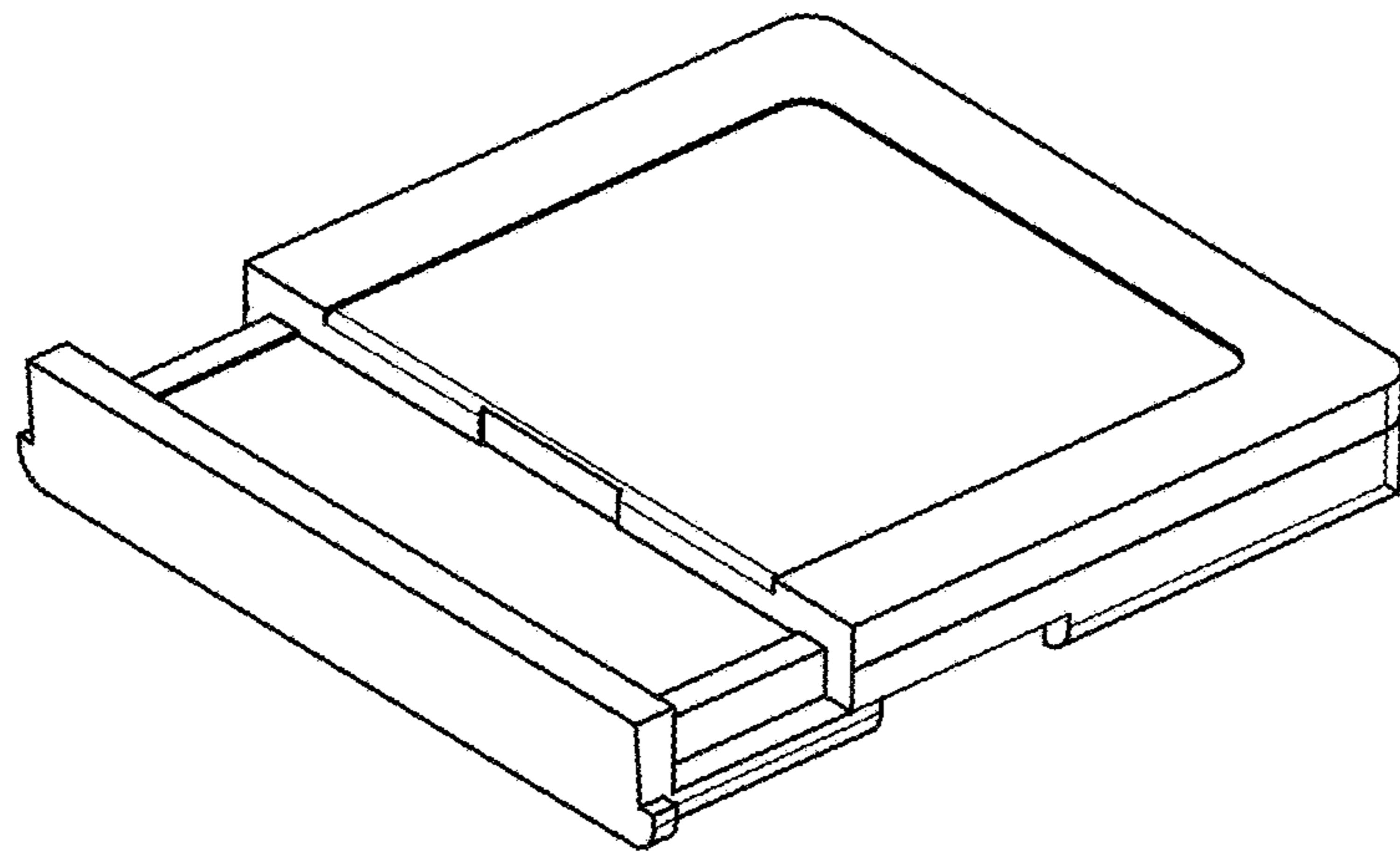


FIG. 1

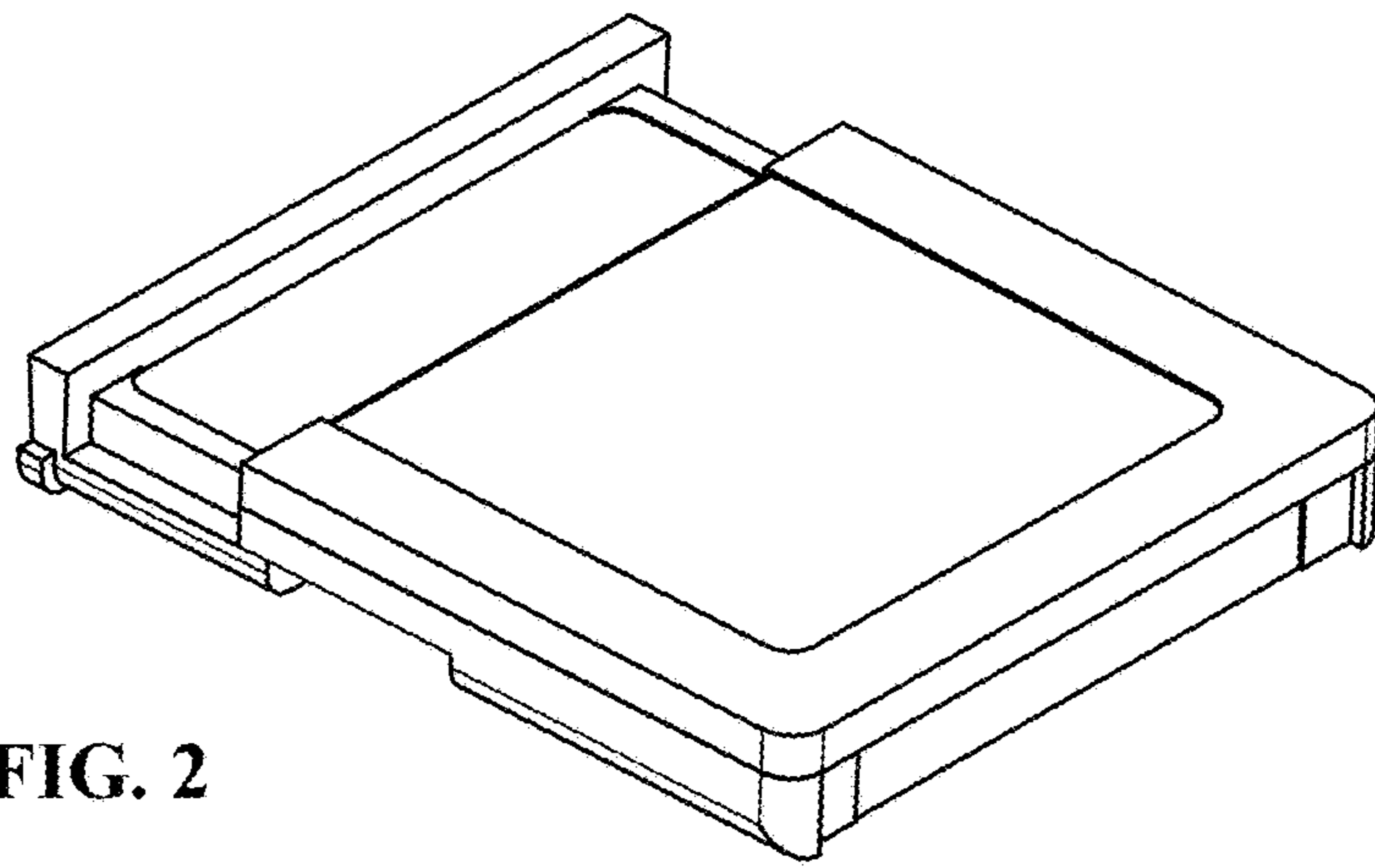


FIG. 2

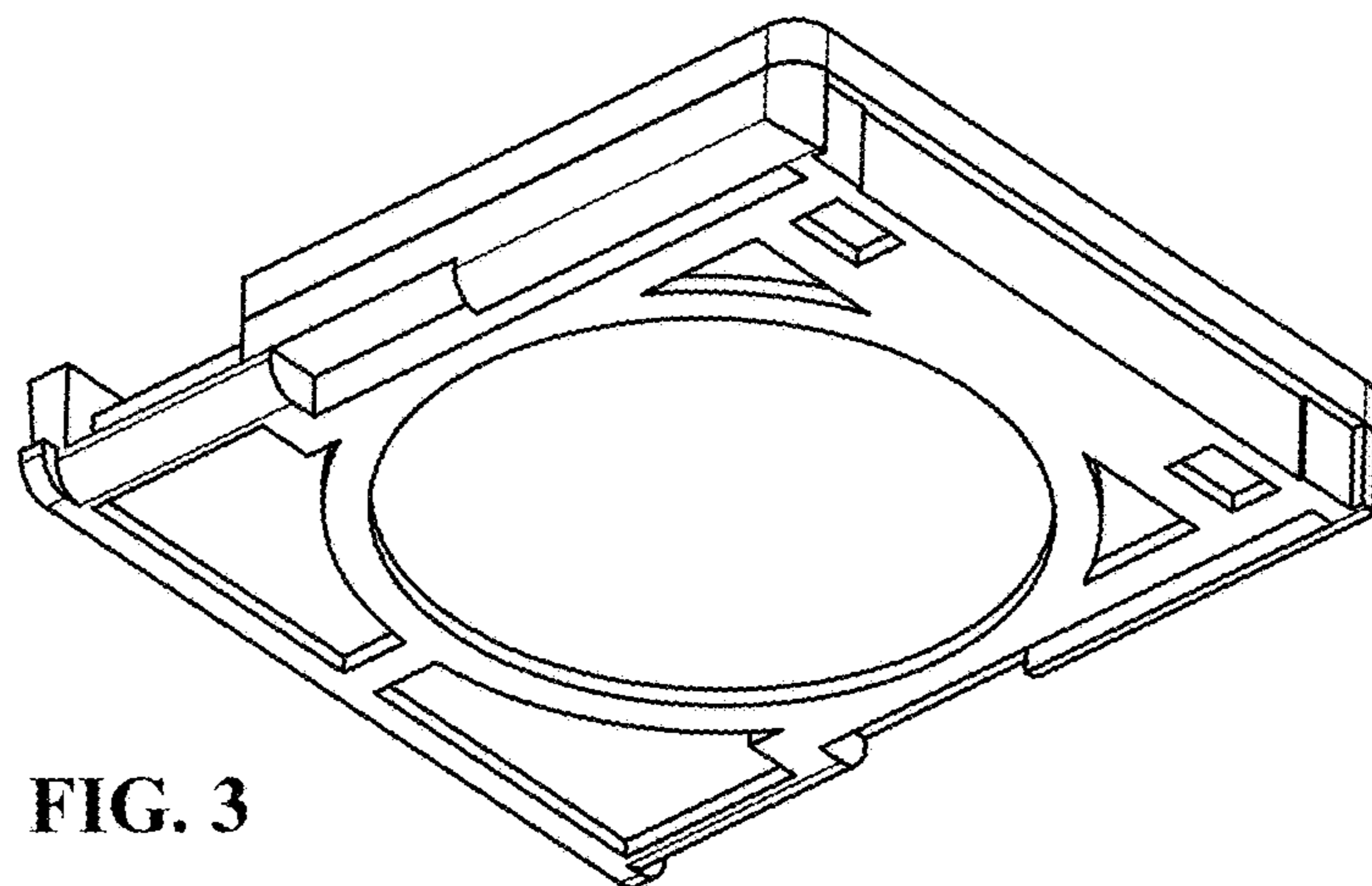


FIG. 3

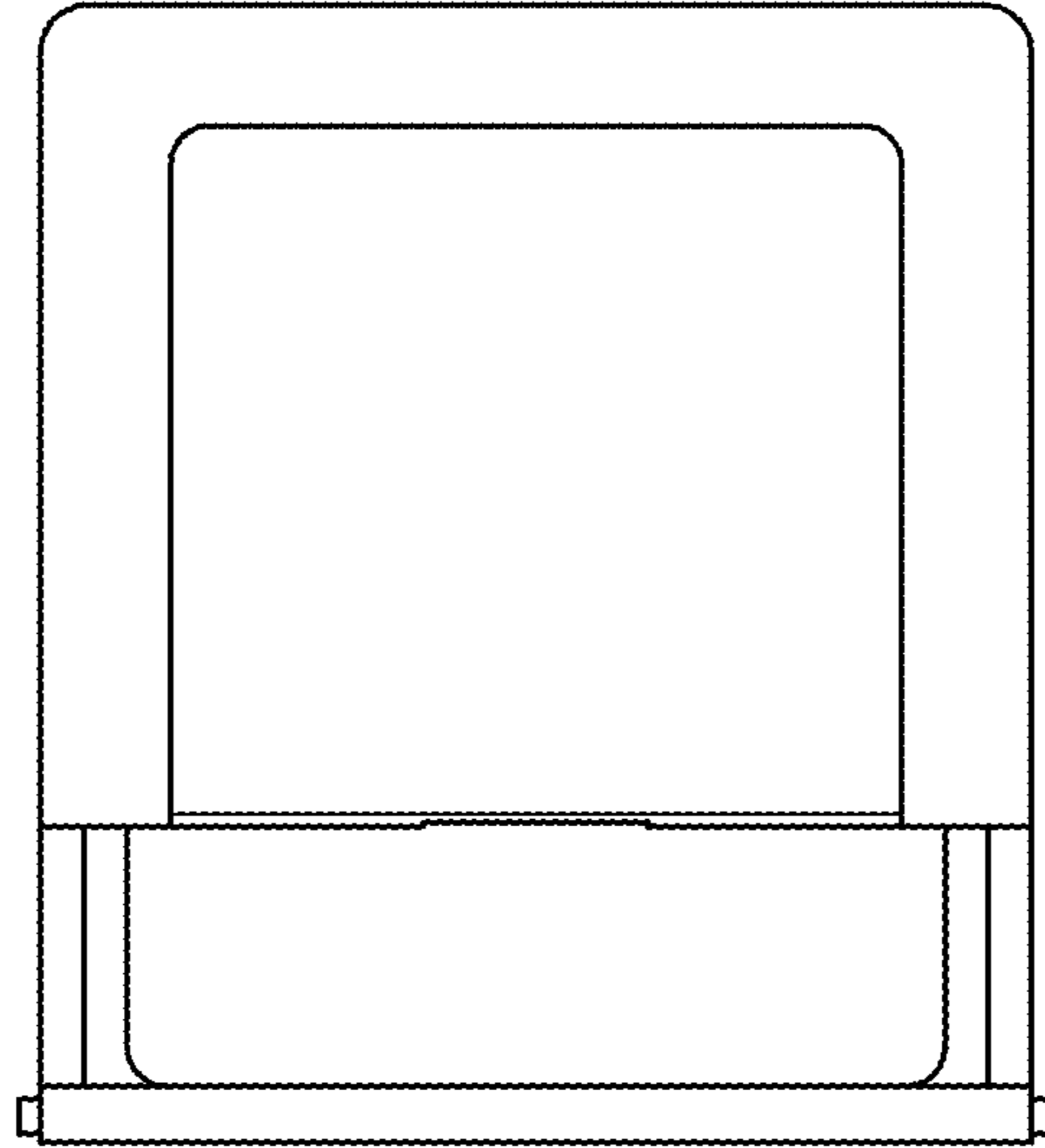


FIG. 4

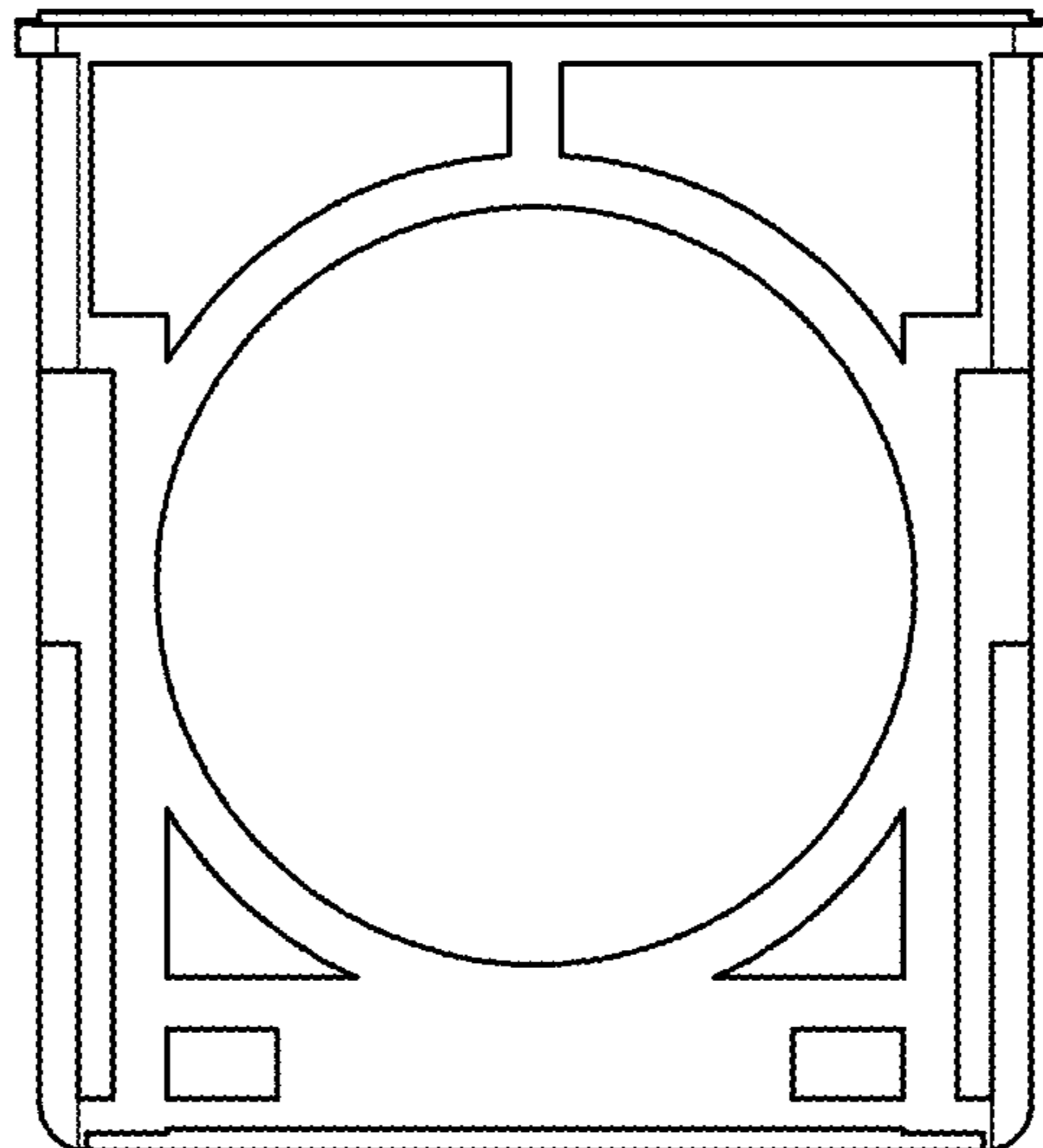


FIG. 5

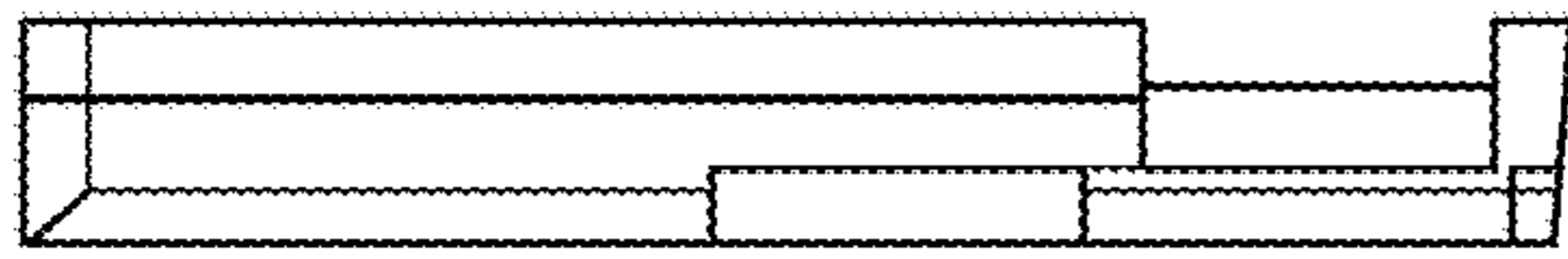


FIG. 6



FIG. 8

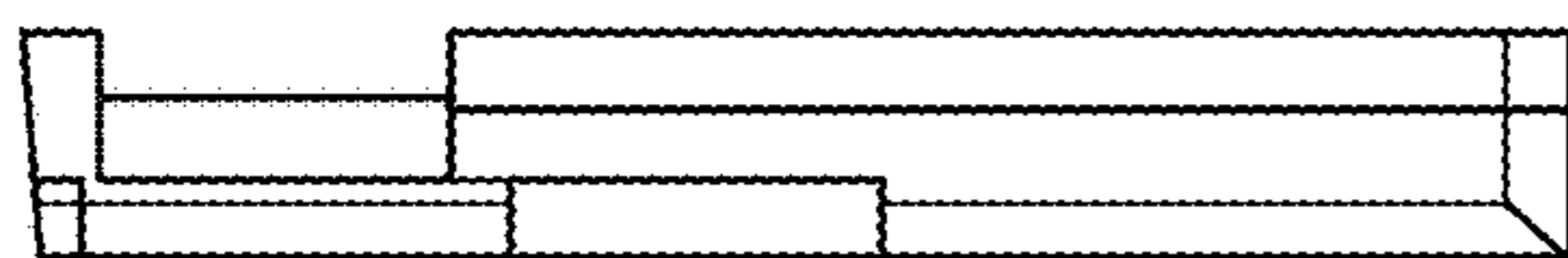


FIG. 7

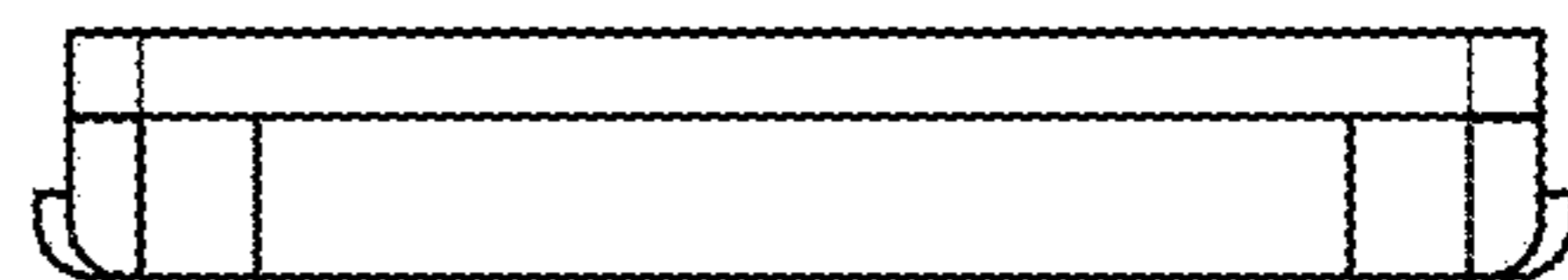


FIG. 9

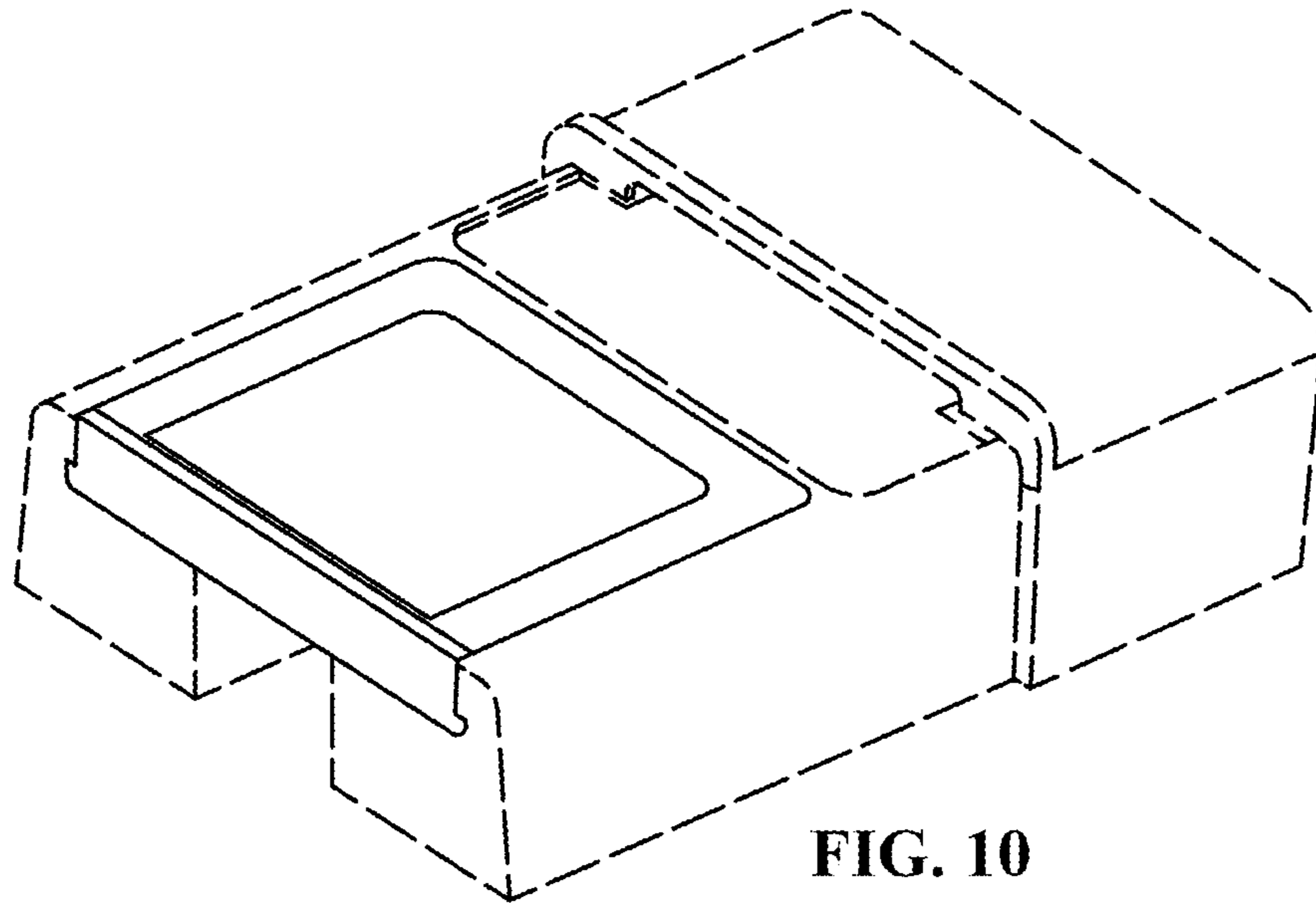


FIG. 10

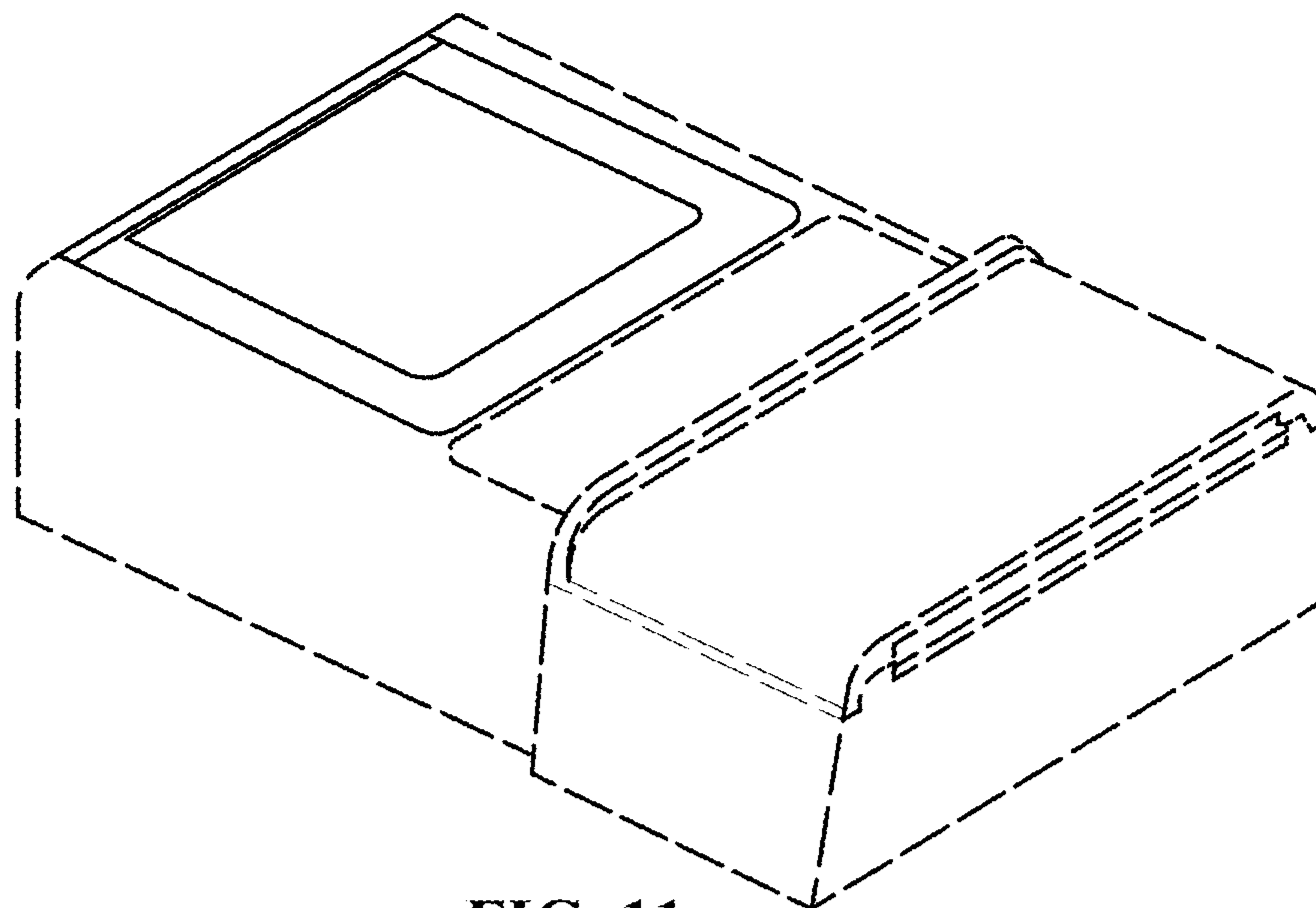


FIG. 11

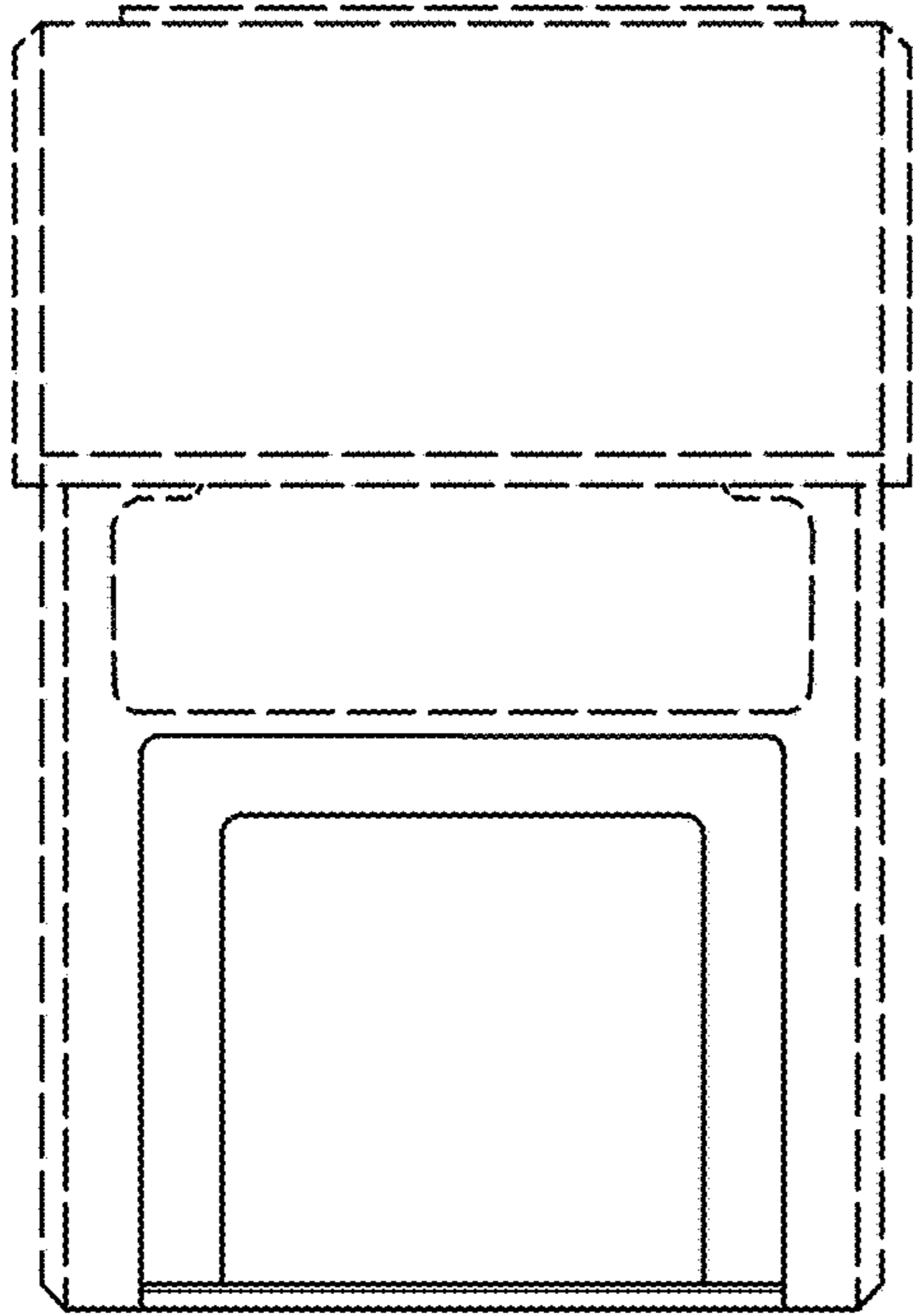


FIG. 12

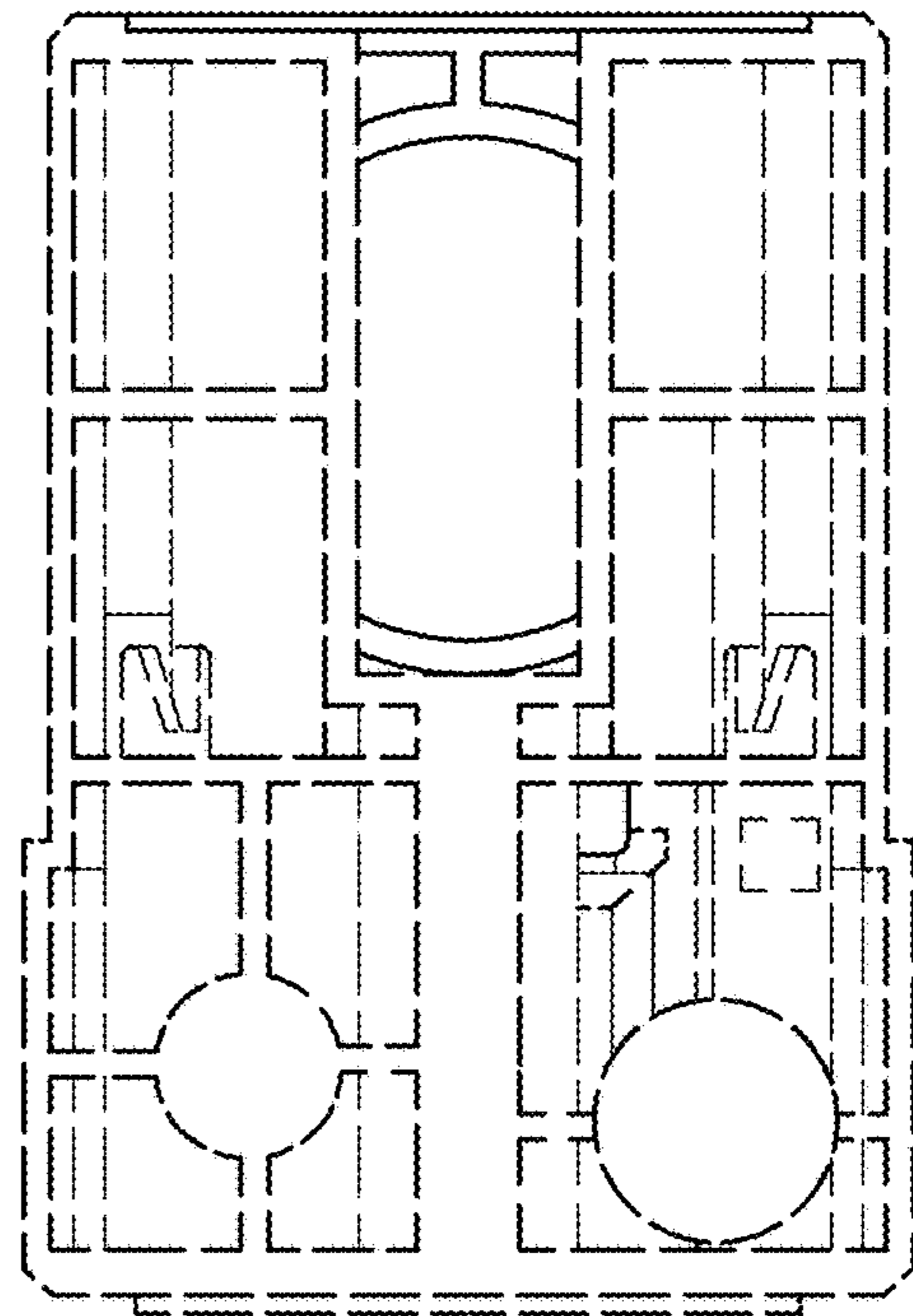


FIG. 13

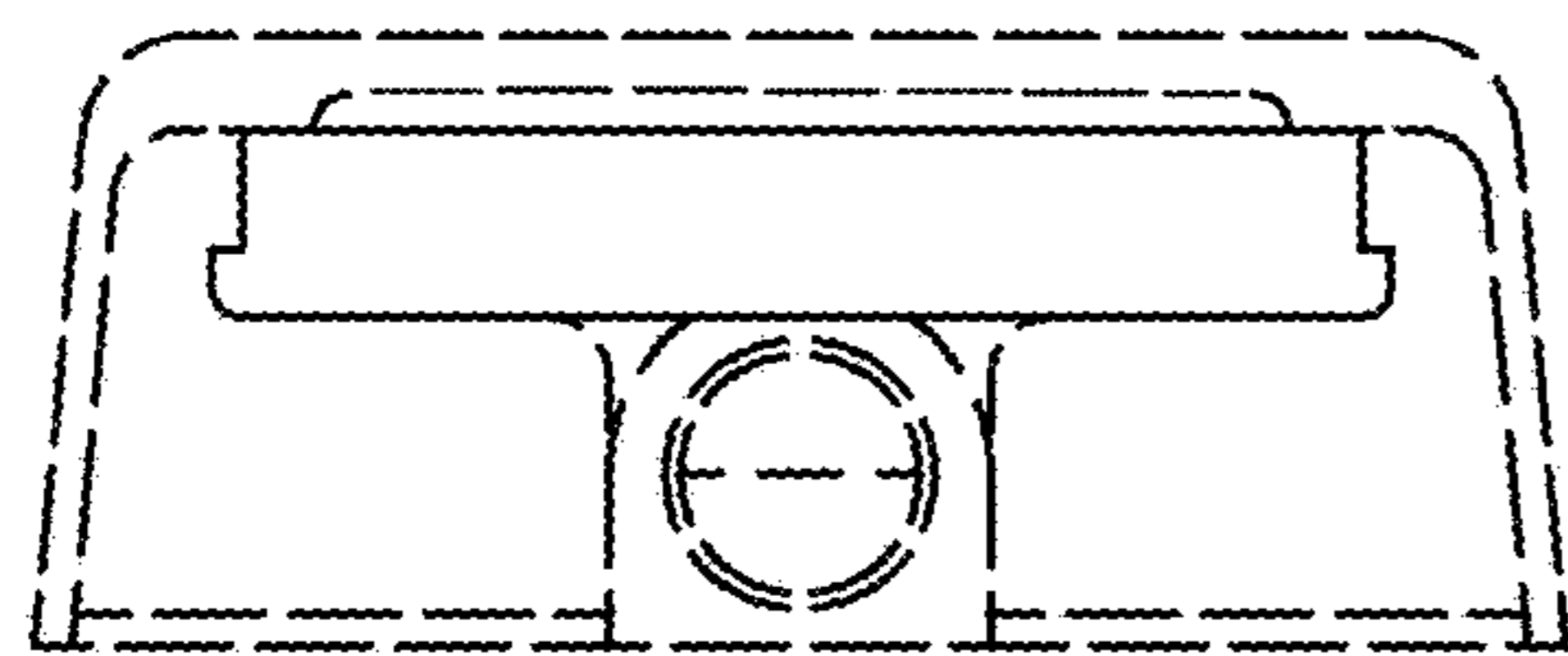


FIG. 14