



US00D806889S

(12) **United States Design Patent**
Holland

(10) **Patent No.:** **US D806,889 S**
(45) **Date of Patent:** **** Jan. 2, 2018**

(54) THERAPEUTIC BALL-ROLLER DEVICE	2,797,685 A *	7/1957	Packwood	A61H 15/0092 401/212
(71) Applicant: PRO PERFORMANCE SPORTS, LLC, Carlsbad, CA (US)	D378,539 S *	3/1997	Scott	D24/211
	D403,076 S *	12/1998	York	D24/211
	6,093,159 A *	7/2000	Racoosin	A61H 15/0092 601/118
(72) Inventor: Allen Keith Holland, Carlsbad, CA (US)	D454,644 S *	3/2002	York	D24/214
	D469,880 S *	2/2003	York	D24/214
	D502,264 S *	2/2005	Timmer	D24/211
(73) Assignee: PRO PERFORMANCE SPORTS, LLC, Carlsbad, CA (US)	D507,057 S *	7/2005	Timmer	D24/211
	D535,752 S *	1/2007	Smith	D24/214
	7,244,237 B2 *	7/2007	Smith	A61H 15/02 601/15
(**) Term: 15 Years	D569,005 S *	5/2008	York	D24/214
(21) Appl. No.: 29/591,911	7,621,858 B2 *	11/2009	Sheron	A63B 21/0618 482/129
(22) Filed: Jan. 25, 2017	D617,467 S *	6/2010	Dworzan	D24/211

(Continued)

Related U.S. Application Data

(63) Continuation-in-part of application No. 14/459,486, filed on Aug. 14, 2014, now abandoned.

(51) **LOC (11) Cl.** **28-03**

(52) **U.S. Cl.**

USPC **D24/211**

(58) **Field of Classification Search**

USPC D24/200, 211, 212, 213, 214, 215;
601/19, 27-32, 46-48, 52, 99, 112-113,
601/118, 135, 137, DIG. 12, DIG. 14,
601/DIG. 15, DIG. 16, DIG. 17;
D30/160; D14/218, 138 AA, 248

CPC A61H 19/00; A61H 19/30; A61H 19/32;
A61H 19/34; A61H 19/40; A61H 19/44;
A61H 19/50; A61H 2015/0007; A61H
2015/0014; A61H 2015/0042; A61H
15/00; A61H 7/003; A61H 7/005

See application file for complete search history.

(56) **References Cited**

U.S. PATENT DOCUMENTS

754,925 A *	3/1904	Zar-Adusht-Hanish	A61H 15/0092 601/131
2,510,399 A *	6/1950	Harris	A61H 15/0092 601/131

Primary Examiner — Sandra Snapp

(74) *Attorney, Agent, or Firm* — Northstar Law Group;
Thomas J. Bassolino

(57)

CLAIM

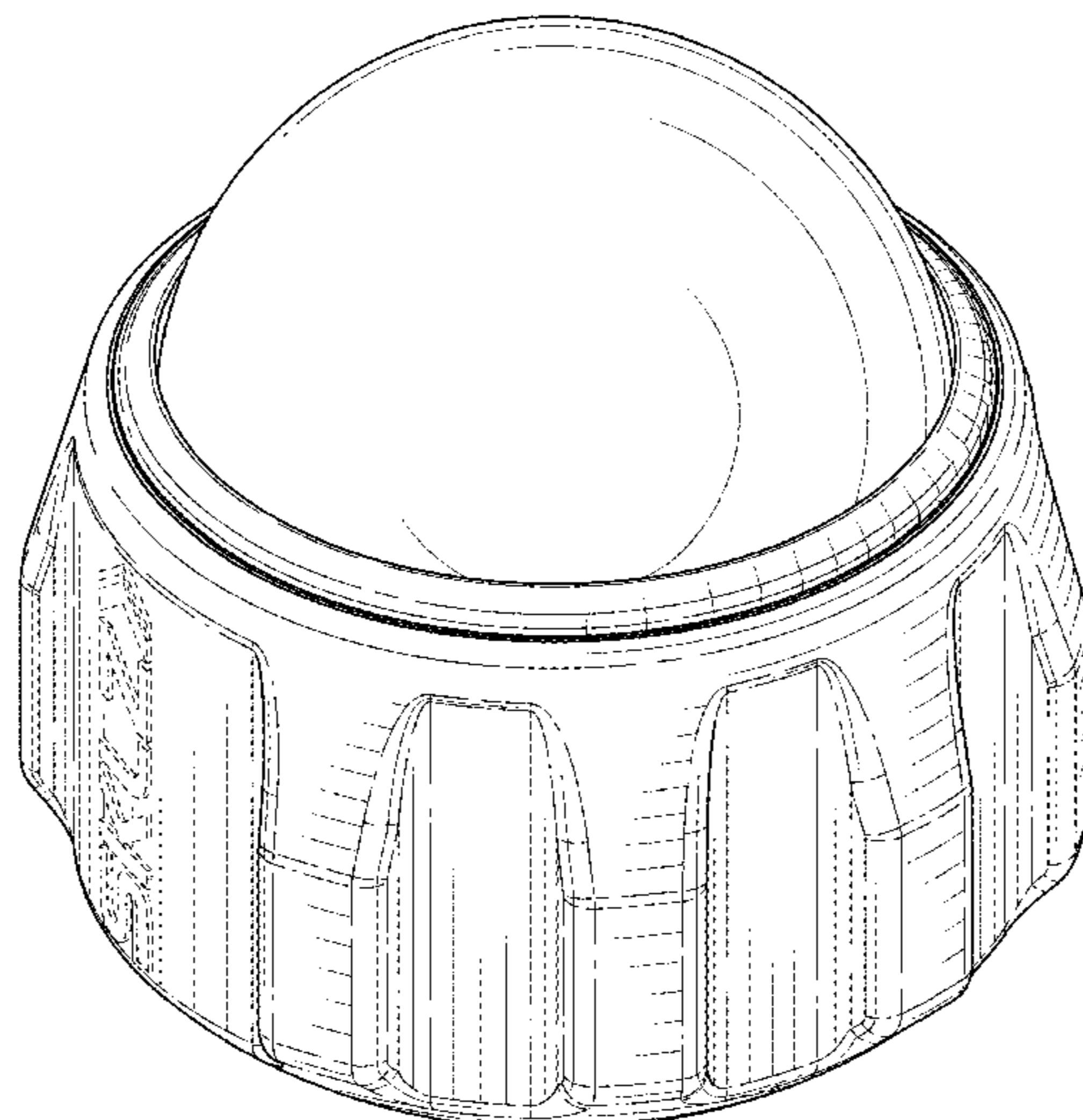
The ornamental design for a therapeutic ball-roller device, as shown and described.

DESCRIPTION

FIG. 1 is a top perspective view of a design for a therapeutic ball-roller device;
FIG. 2 is a front view thereof;
FIG. 3 is a rear view thereof;
FIG. 4 is a left side view thereof;
FIG. 5 is a right side view thereof;
FIG. 6 is a top view thereof;
FIG. 7 is a bottom view thereof; and,
FIG. 8 is an exploded view thereof.

The broken lines illustrate portions of the therapeutic ball-roller device and form no part of the claimed design.

1 Claim, 5 Drawing Sheets



(56)

References Cited

U.S. PATENT DOCUMENTS

D691,279 S * 10/2013 Hane-Karr D24/211
D726,028 S * 4/2015 Thompson D28/7
D762,309 S * 7/2016 Cohen D24/211
D765,873 S * 9/2016 Hetzel D24/214
D789,548 S * 6/2017 Cheng D24/211
2006/0155225 A1* 7/2006 Murdock A61H 15/0092
601/131
2006/0161080 A1* 7/2006 Chen A61H 7/003
601/131
2010/0087763 A1* 4/2010 Hane-Karr A61H 7/007
601/137
2015/0223970 A1* 8/2015 Holland A61F 7/10
601/19

* cited by examiner

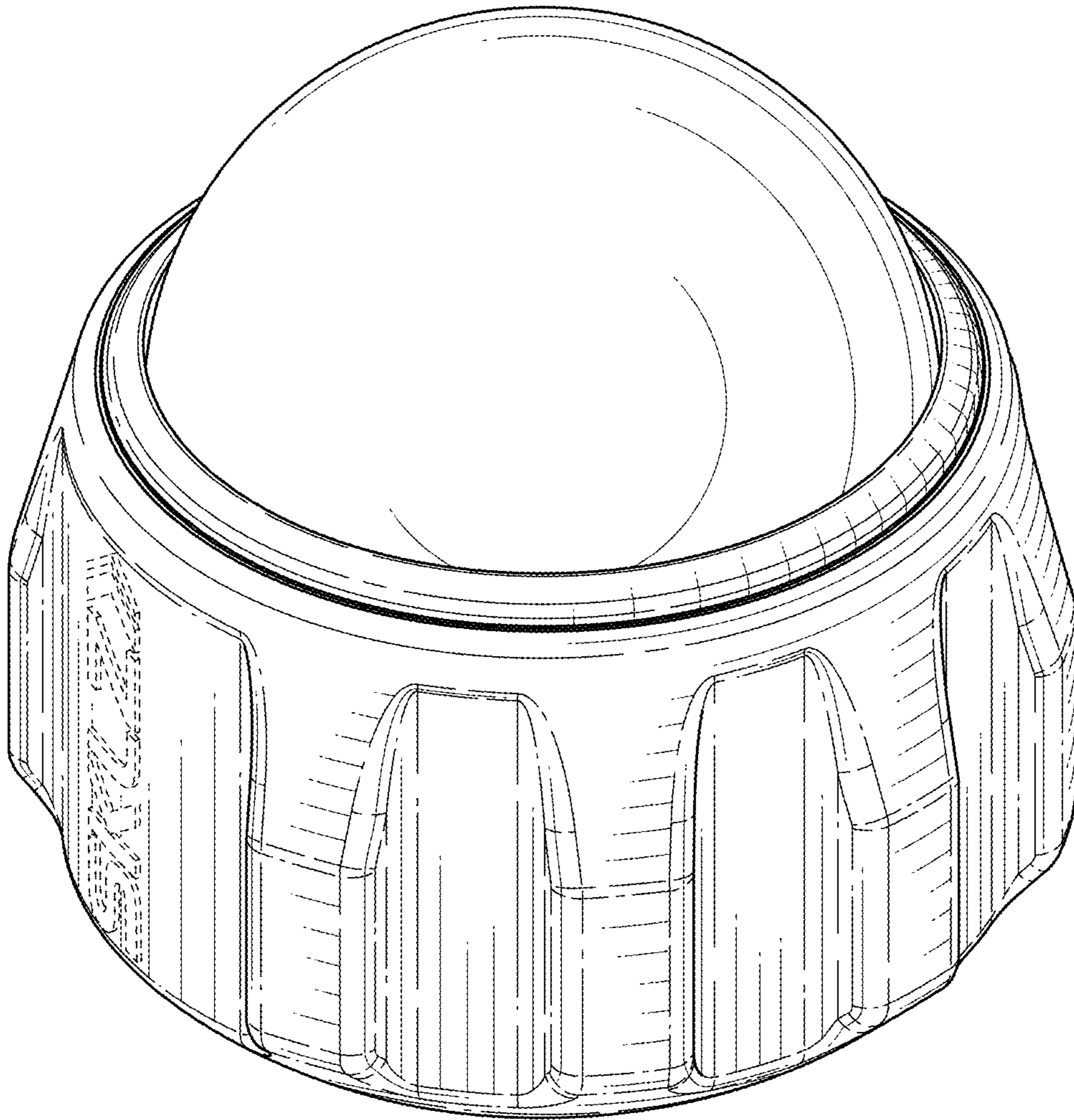


FIG. 1

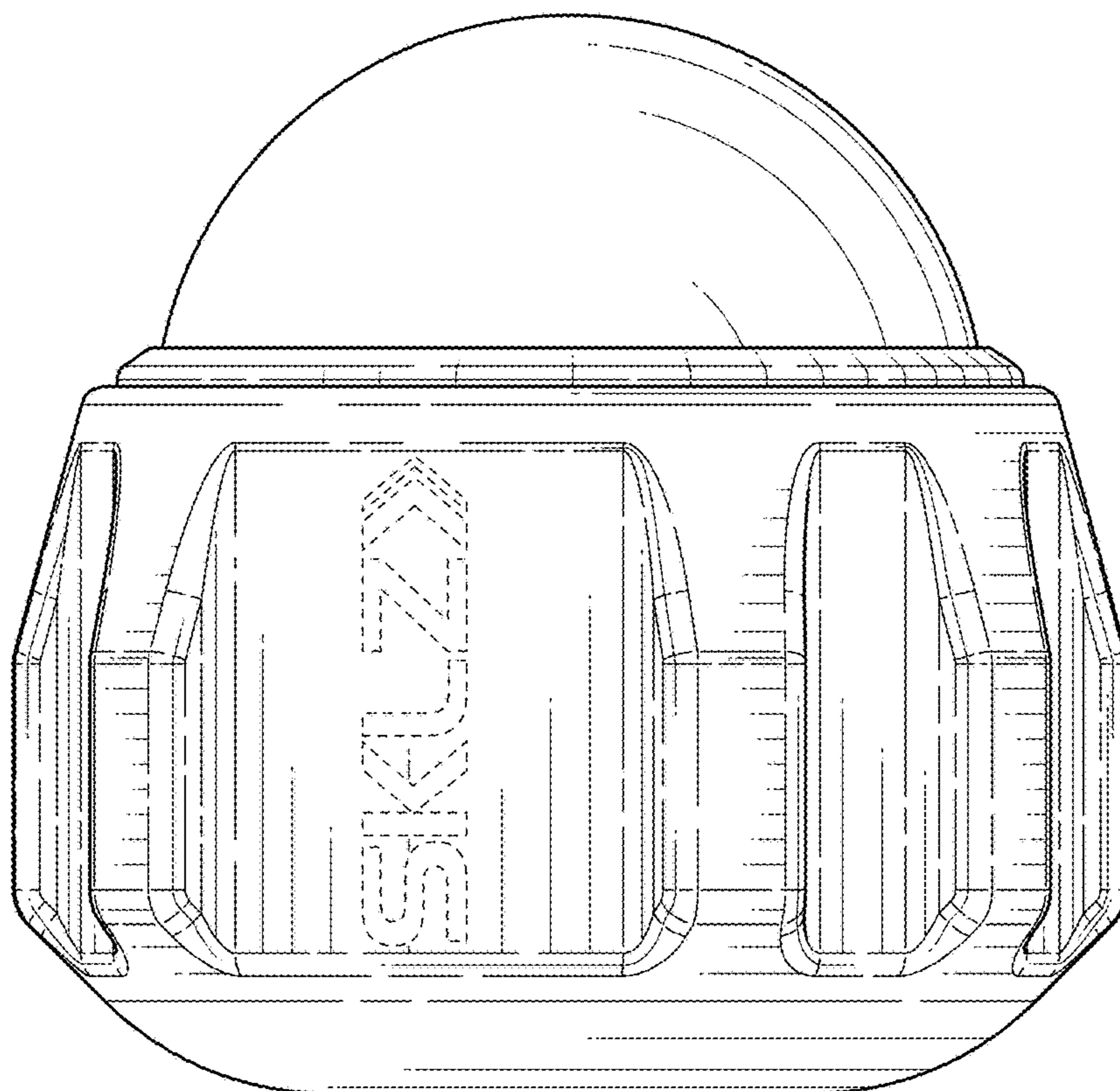


FIG. 2

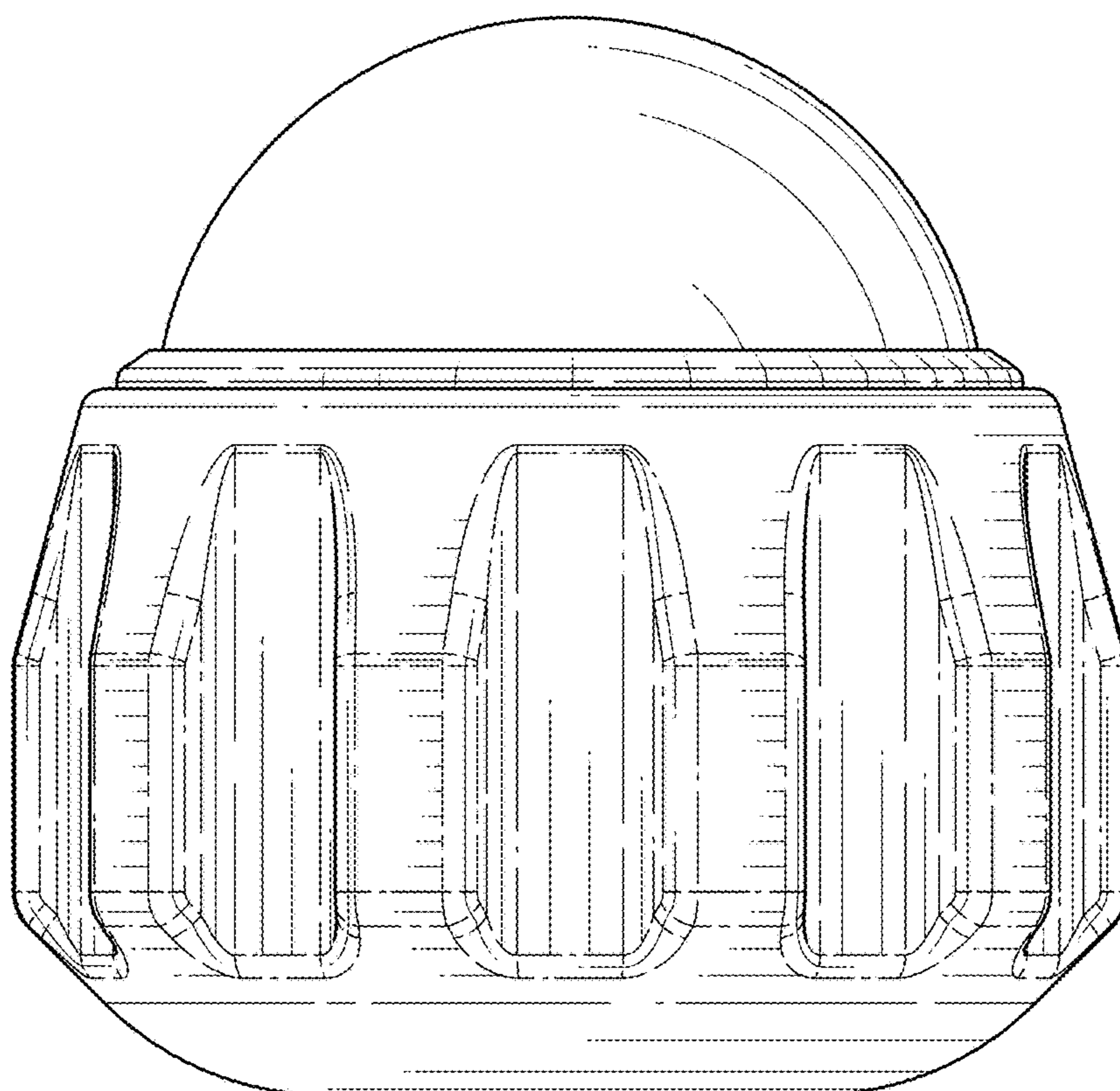


FIG. 3

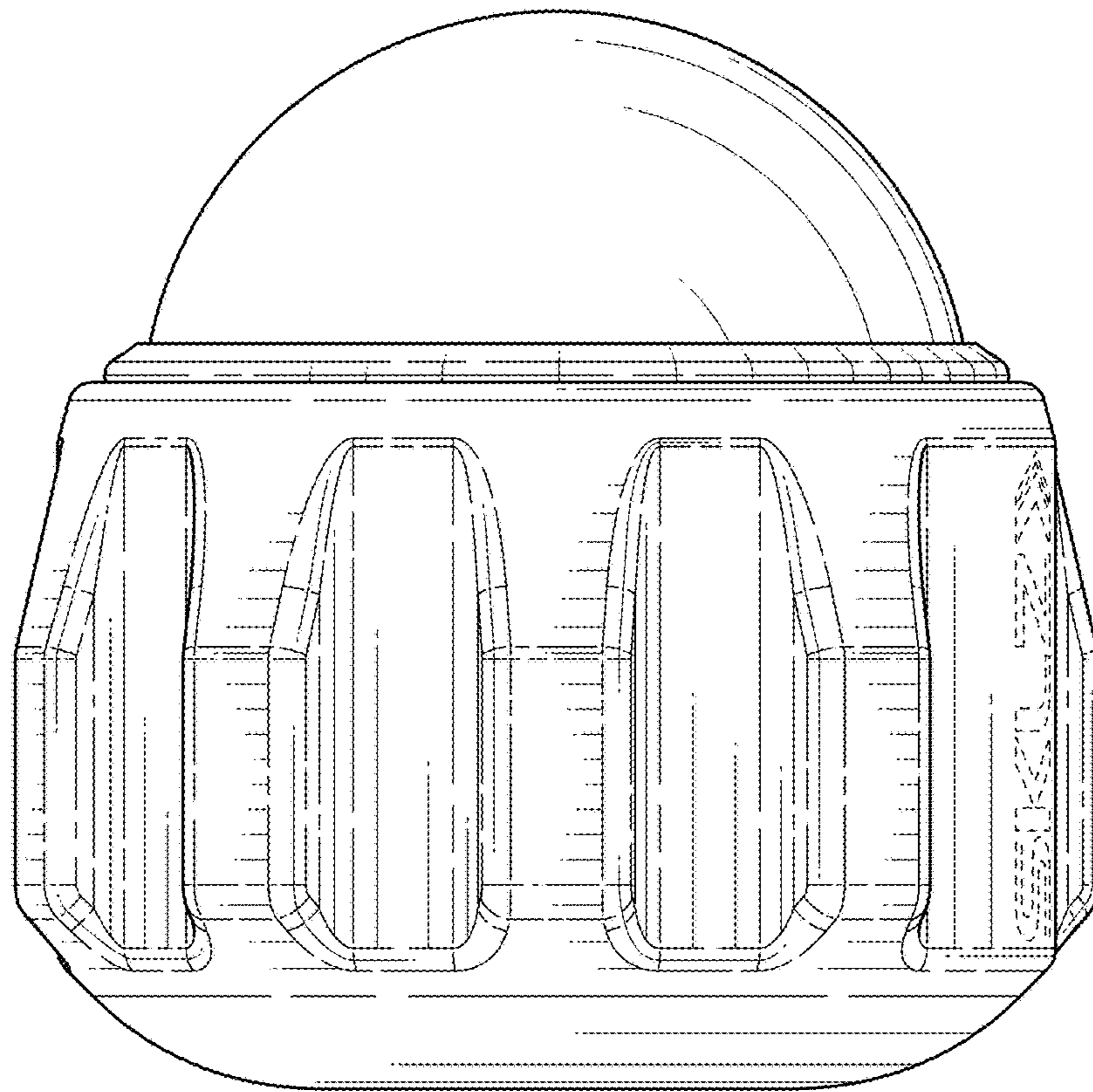


FIG. 4

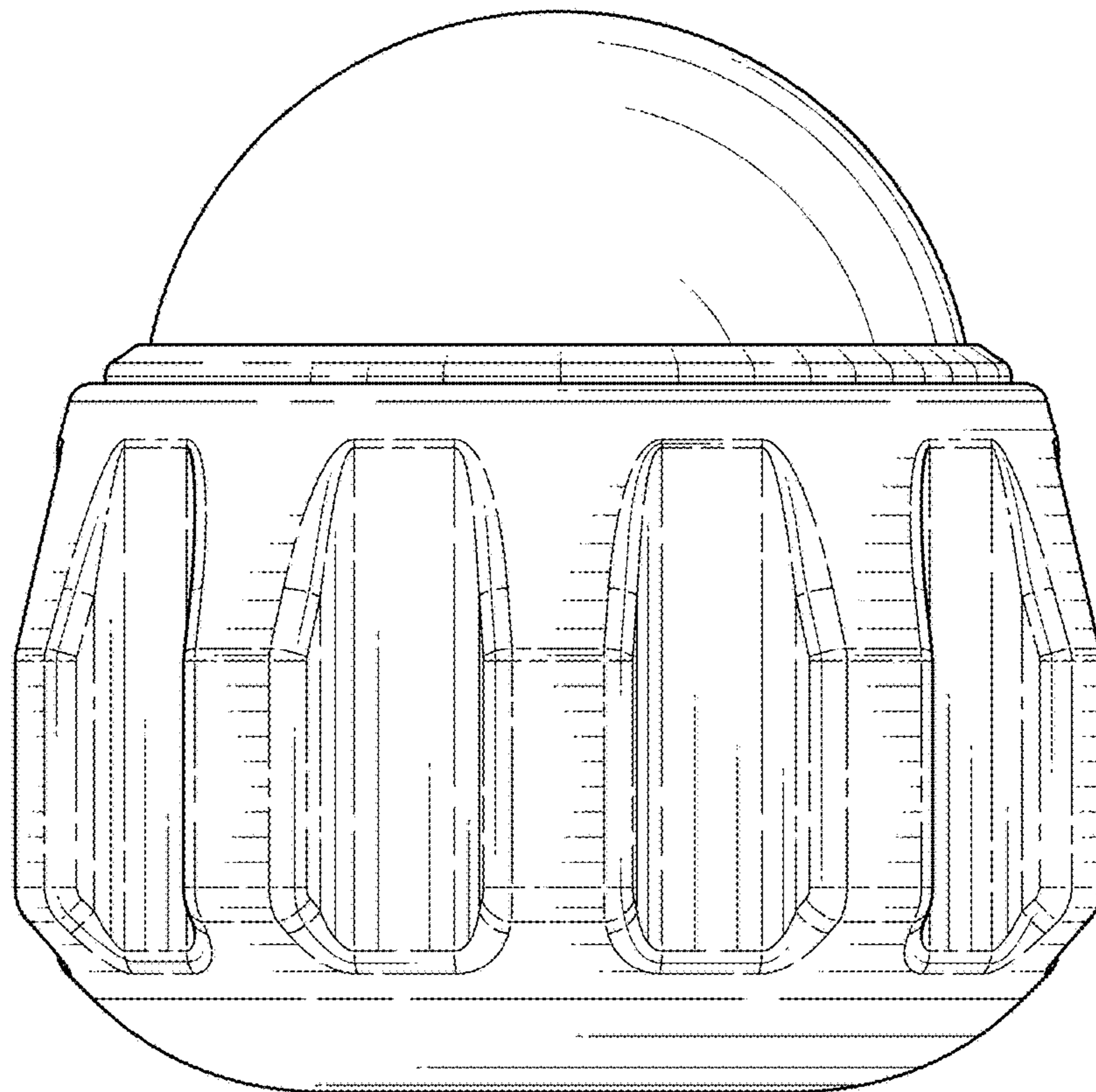


FIG. 5

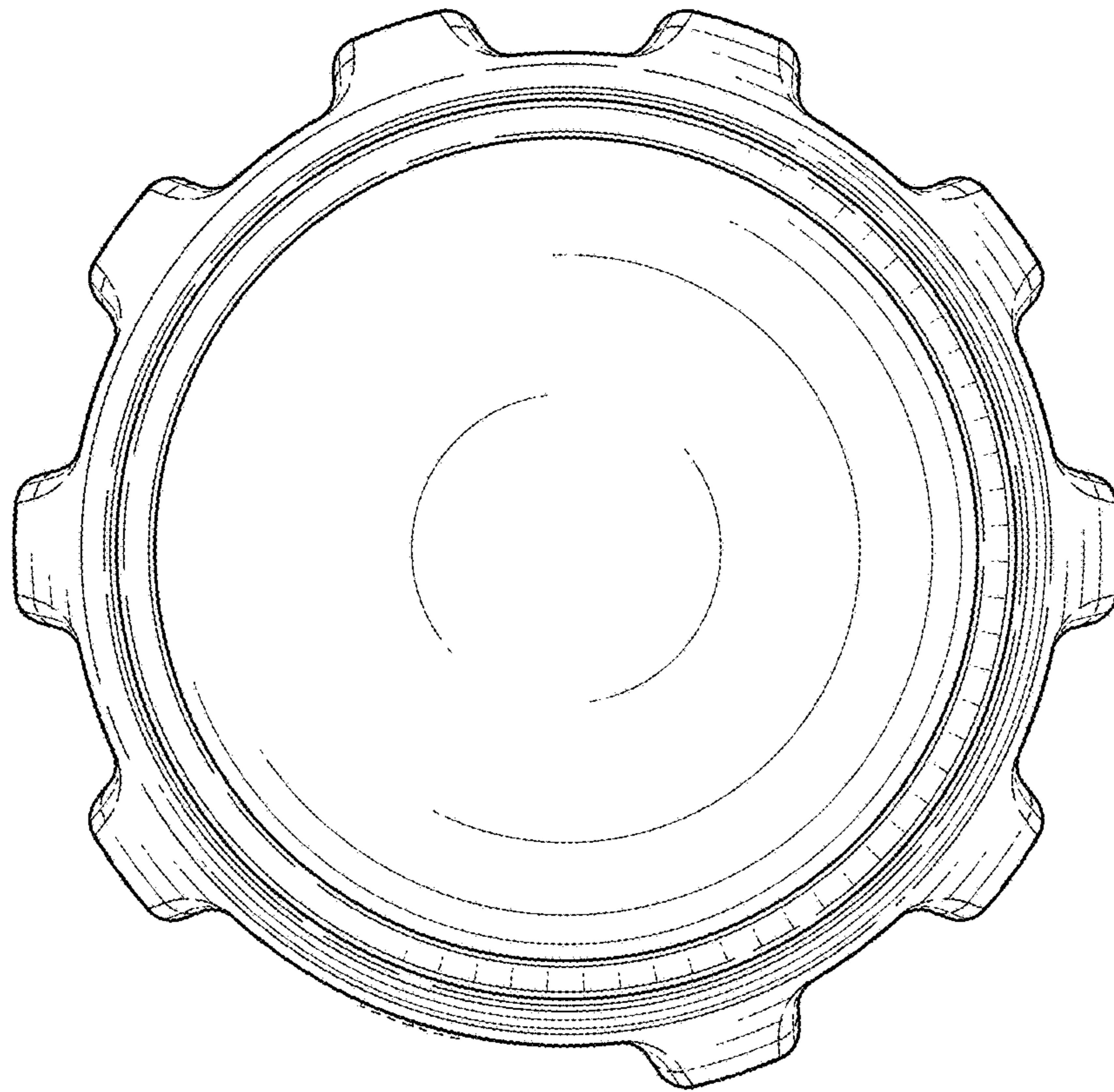


FIG. 6

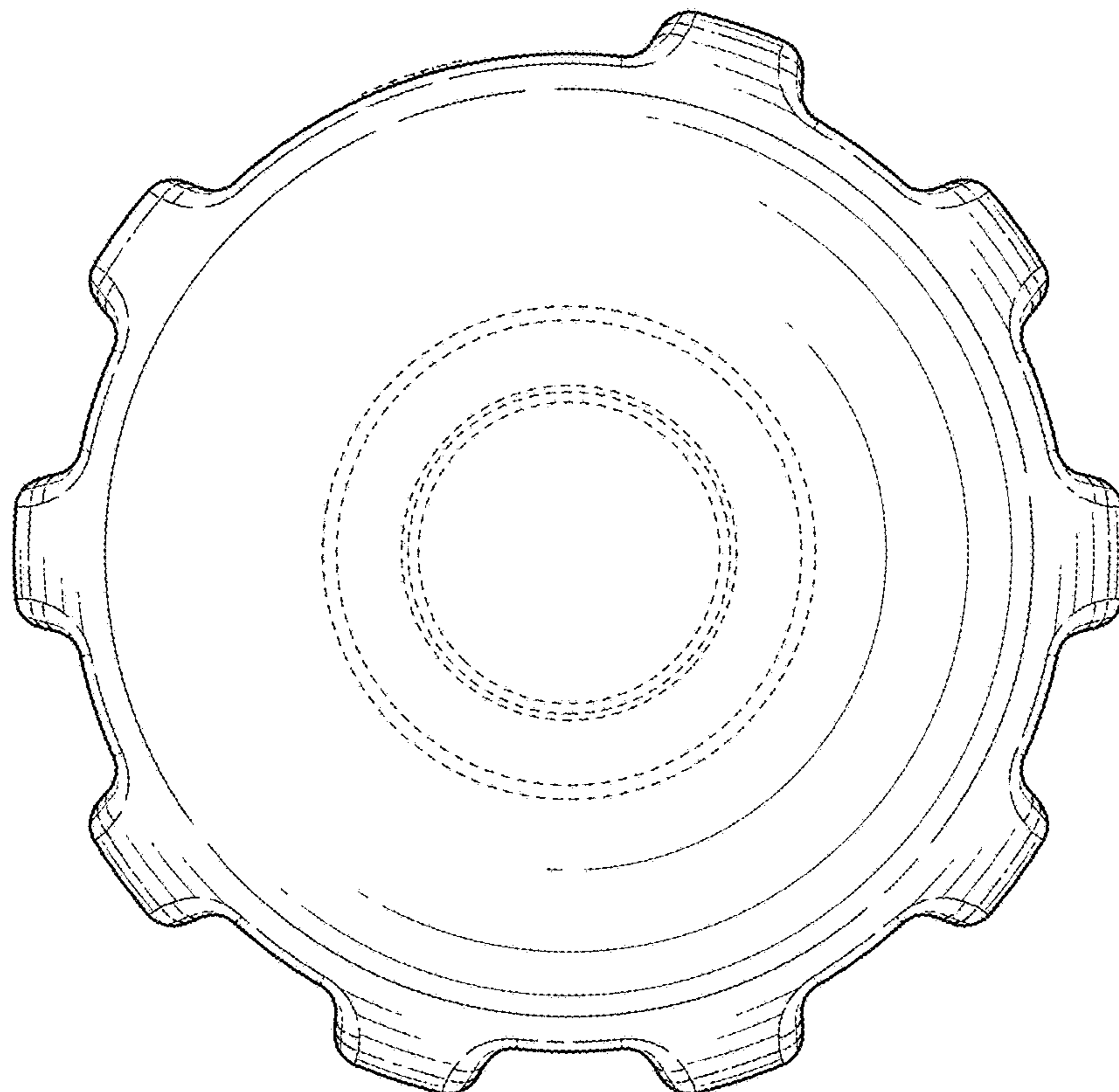


FIG. 7

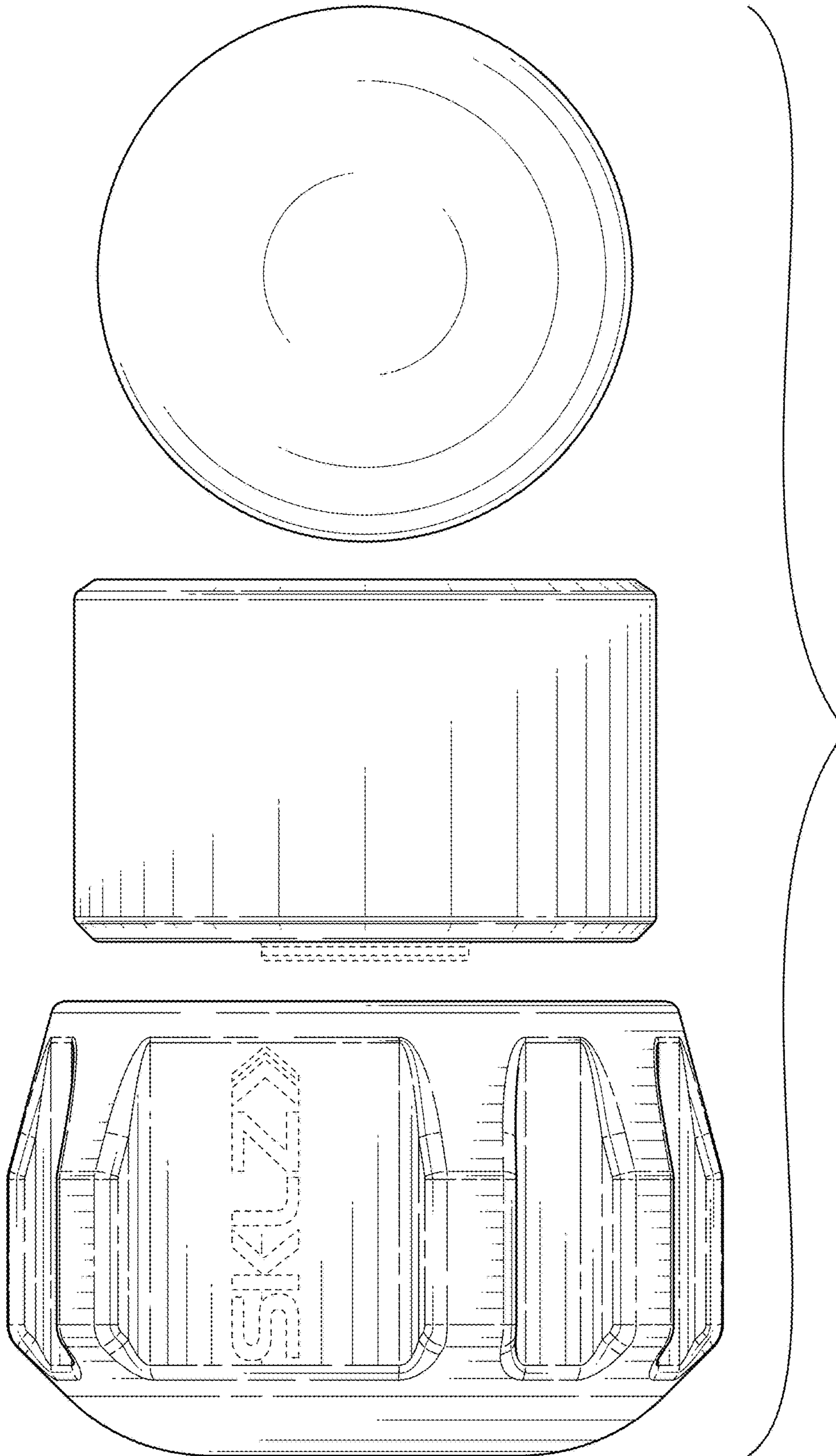


FIG. 8