



US00D806886S

(12) **United States Design Patent**  
**Lee**

(10) **Patent No.:** **US D806,886 S**  
(45) **Date of Patent:** **\*\* Jan. 2, 2018**

(54) **HEATING PAD**

(71) Applicant: **Dong Hak Lee**, Gwangju (KR)

(72) Inventor: **Dong Hak Lee**, Gwangju (KR)

(\*\*) Term: **14 Years**

(21) Appl. No.: **29/526,559**

(22) Filed: **May 11, 2015**

(51) **LOC (11) Cl.** ..... **24-04**

(52) **U.S. Cl.**  
USPC ..... **D24/206**

(58) **Field of Classification Search**  
USPC ..... D24/206–208; D6/595, 582–583  
CPC .... H05B 3/342; H05B 3/0004; H05B 3/0019;  
H05B 3/0085; H05B 3/34; H05B 1/025;  
H05B 2203/003; H05B 2203/004; H05B  
2203/014; A61F 7/00; A61F 7/0001;  
A61F 7/007; A61F 7/03; A61F 7/08;  
A61F 7/0097; A61F 2007/0086; A61F  
2007/0088; A61F 2007/0089  
See application file for complete search history.

(56) **References Cited**

U.S. PATENT DOCUMENTS

2,498,983 A \* 2/1950 Albora ..... H05B 3/342  
126/204

2,961,526 A \* 11/1960 Dykes ..... H05B 3/342  
219/212

2,993,979 A \* 7/1961 Hornsby ..... H05B 3/342  
219/212

3,758,747 A \* 9/1973 Rohr ..... H05B 3/342  
219/212

D343,686 S \* 1/1994 Irwin, Jr. .... D24/206

D365,640 S \* 12/1995 Doyle ..... D24/206

5,662,624 A \* 9/1997 Sundstrom ..... A61F 7/007  
602/2

6,794,610 B2 \* 9/2004 Horey ..... H05B 3/342  
219/202

8,624,164 B2 \* 1/2014 Deibel ..... A61F 7/007  
219/212

D757,280 S \* 5/2016 Ogaki ..... D24/206

D759,834 S \* 6/2016 Mishan ..... D24/206

\* cited by examiner

*Primary Examiner* — Wan Laymon  
(74) *Attorney, Agent, or Firm* — Kwan & Olynick LLP

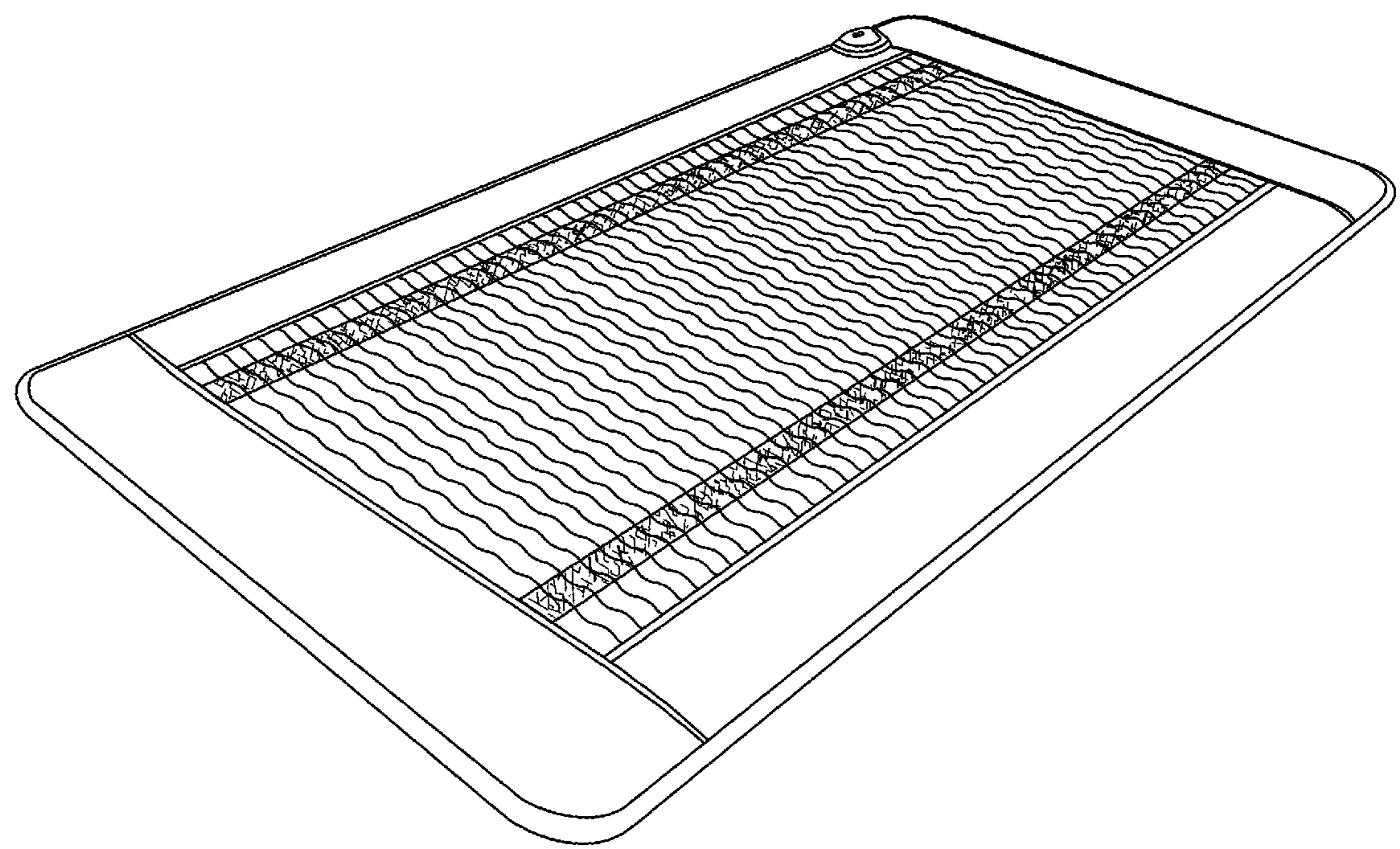
(57) **CLAIM**

The ornamental design for a heating pad, as shown and described.

**DESCRIPTION**

FIG. 1 is a top view of the heating pad of the present invention, showing my new design;  
FIG. 2 is a bottom view of a heating pad of the present invention, showing my new design;  
FIG. 3 is a close-up view of a section of the top surface of the heating pad of the present invention, showing my new design;  
FIG. 4 is an isometric view of the heating pad of the present invention, showing my new design; and,  
FIG. 5 is an isometric view of the heating pad of the present invention, showing my new design.

**1 Claim, 5 Drawing Sheets**



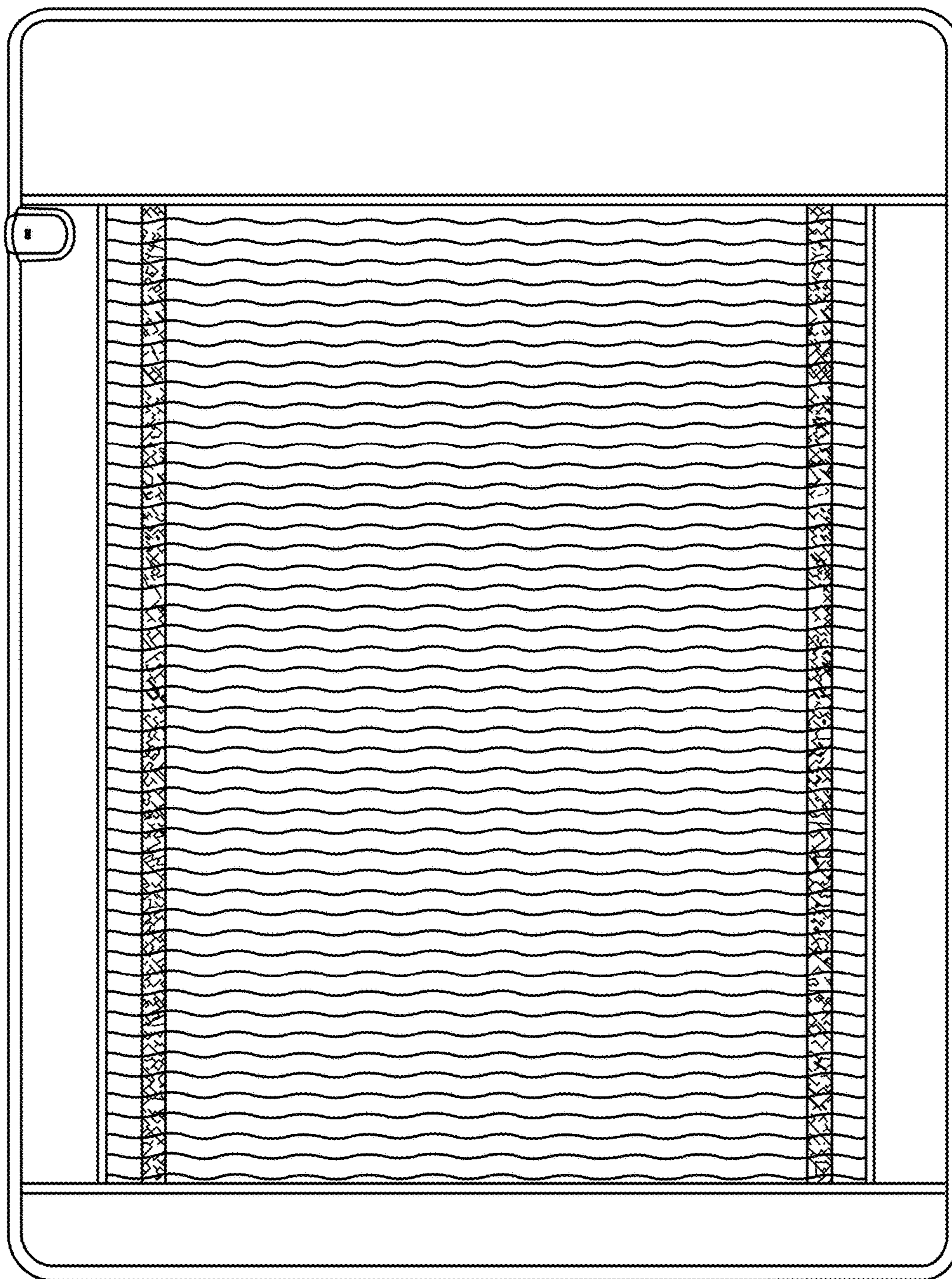


FIG. 1

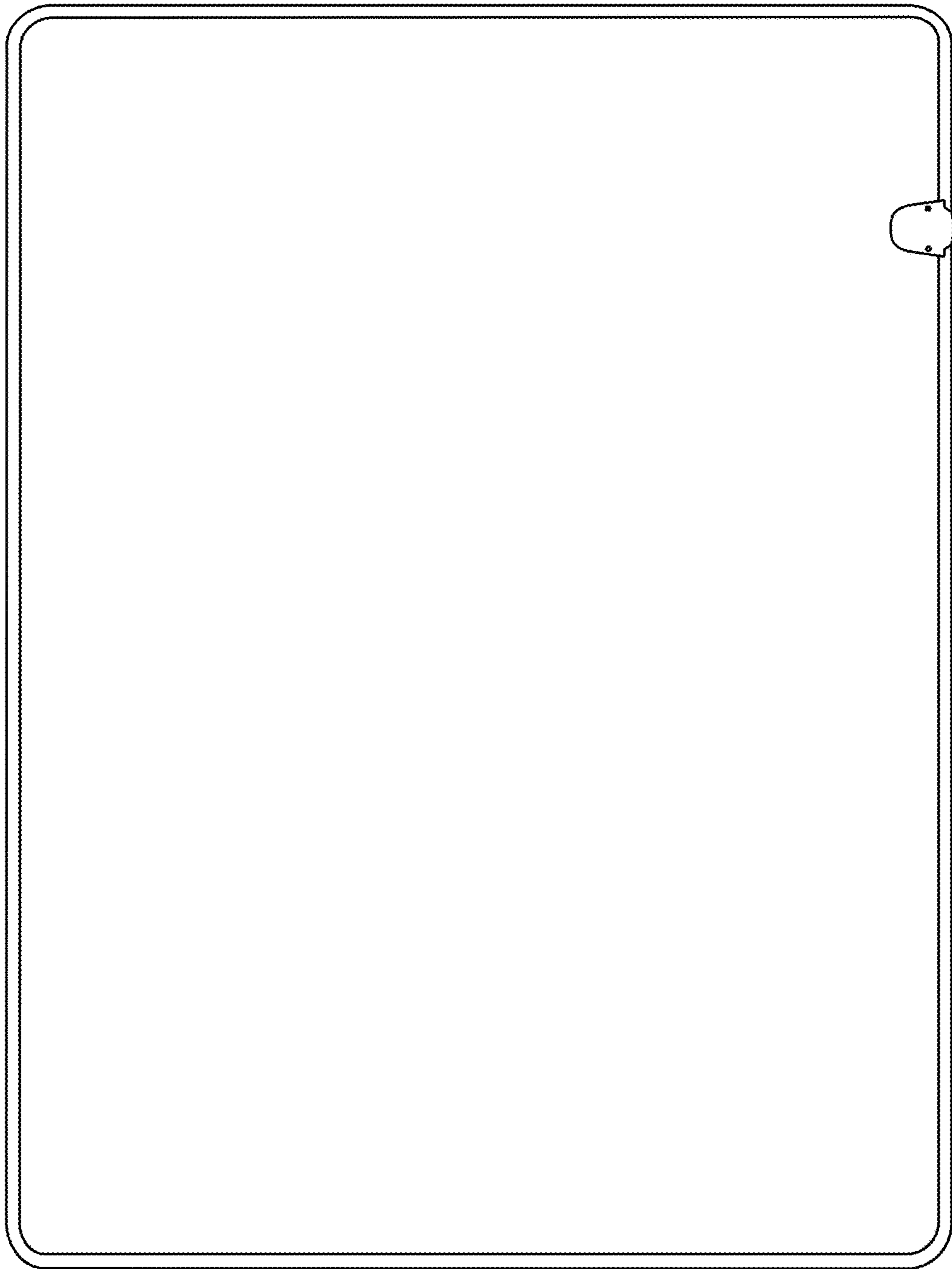


FIG. 2

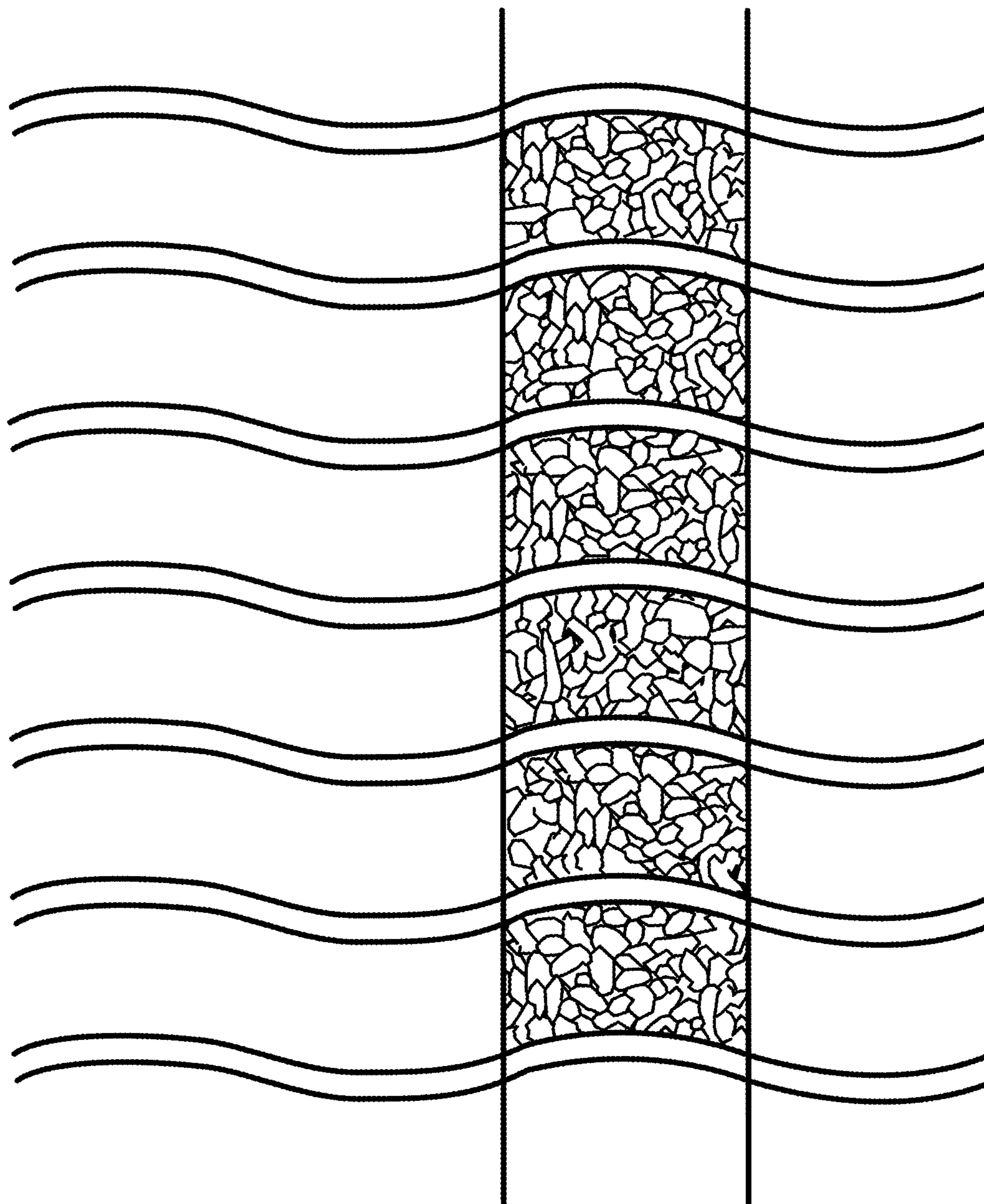


FIG. 3

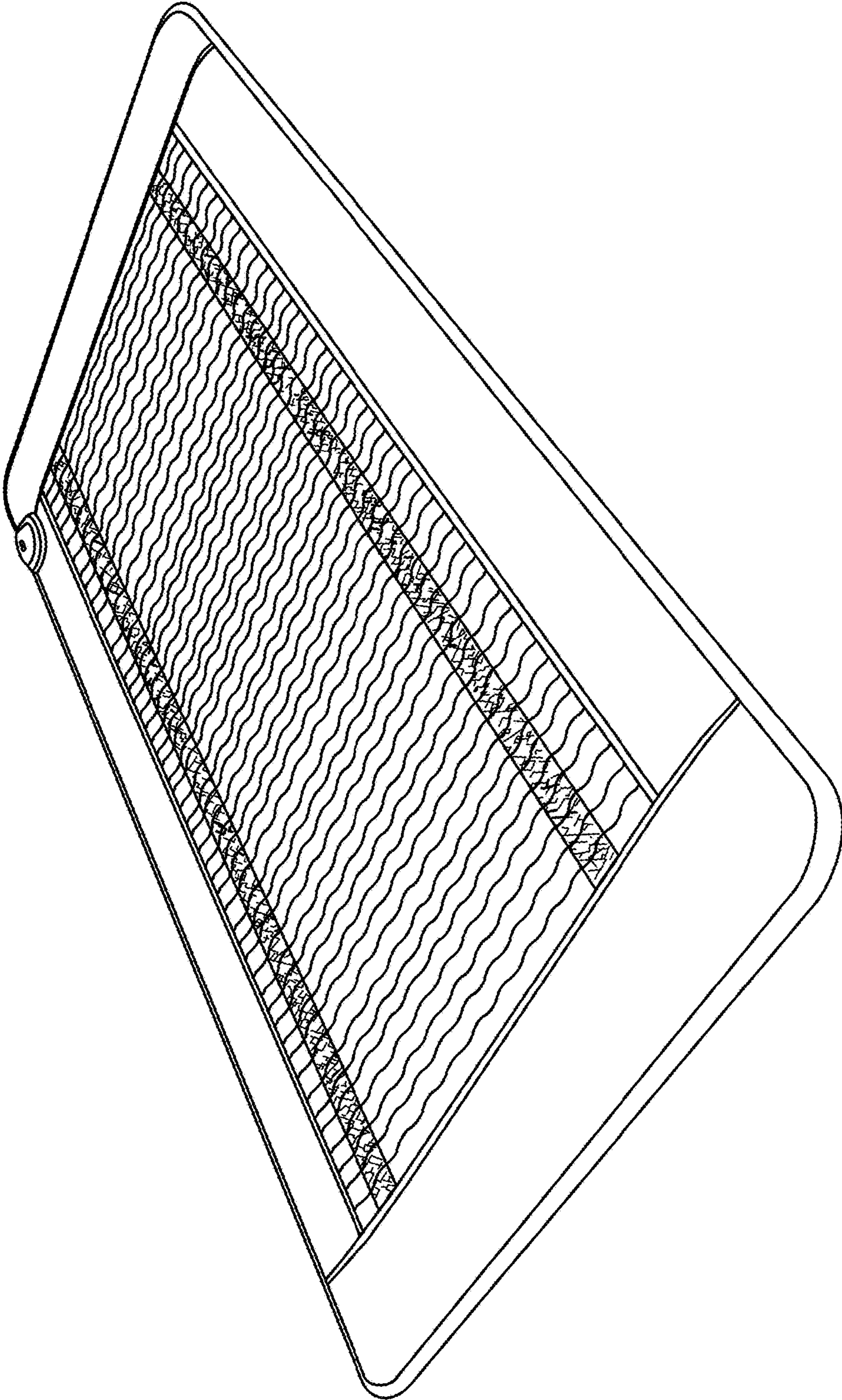


FIG. 4

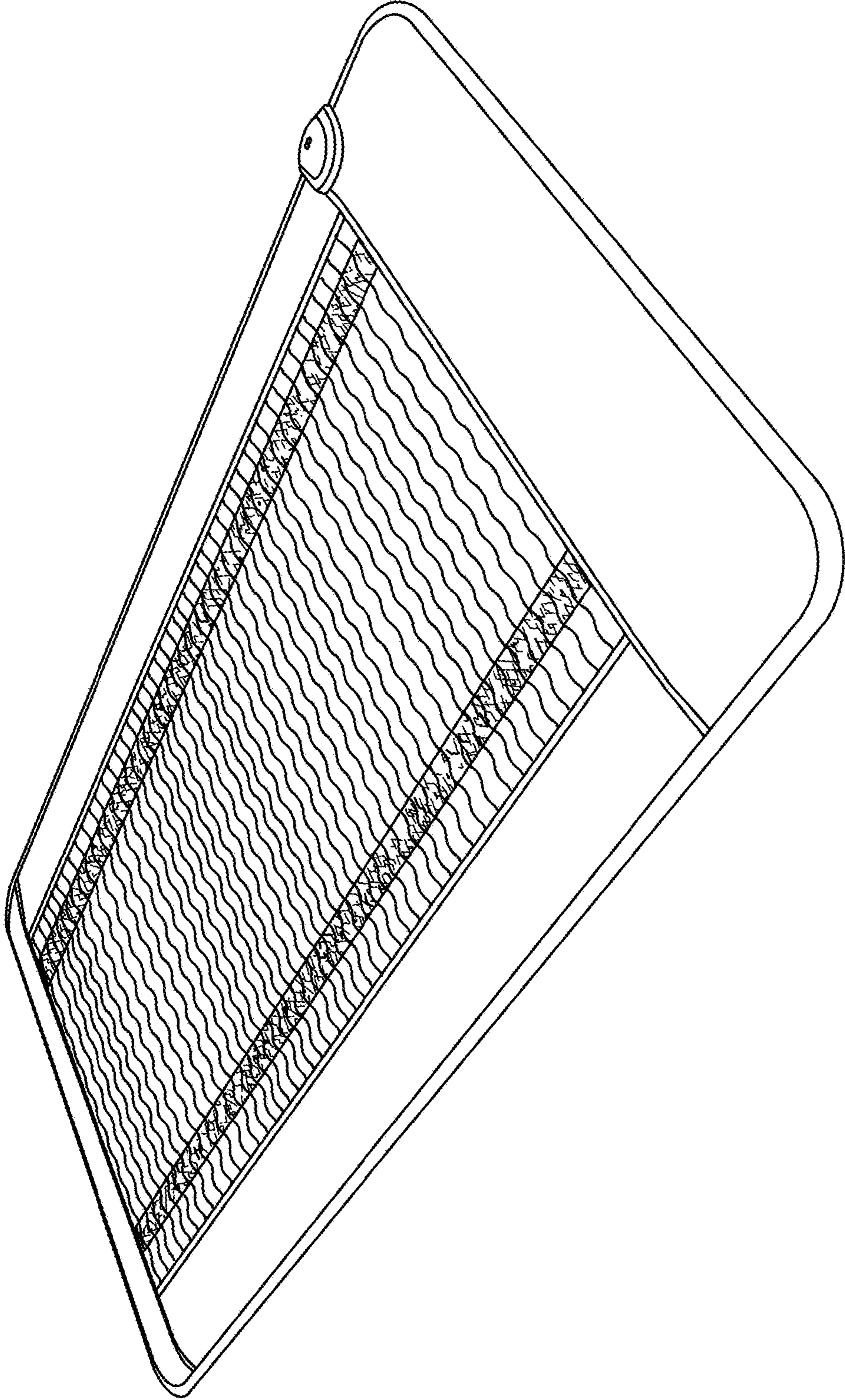


FIG. 5