



US00D806885S

(12) **United States Design Patent** Hatch et al. (10) **Patent No.:** **US D806,885 S** (45) **Date of Patent:** **** Jan. 2, 2018**

- (54) **HANDHELD MICROPORATION DEVICE**
- (71) Applicant: **NITTO DENKO CORPORATION**, Osaka-Hu, PA (US)
- (72) Inventors: **Michael R. Hatch**, Sugar Hill, GA (US); **Eric Tomlinson**, Atlanta, GA (US); **Anastasios G. Karahalios**, Chicago, IL (US); **Shu Kun Chang**, Evanston, IL (US); **Ross Lockwood**, Chicago, IL (US)
- (73) Assignee: **Nitto Denko Corporation**, Tokyo (JP)
- (**) Term: **14 Years**
- (21) Appl. No.: **29/519,238**
- (22) Filed: **Mar. 3, 2015**

Related U.S. Application Data

- (62) Division of application No. 29/357,206, filed on Mar. 9, 2010, now Pat. No. Des. 745,974.
- (51) **LOC (11) Cl.** **24-04**
- (52) **U.S. Cl.**
USPC **D24/200**
- (58) **Field of Classification Search**
USPC D24/200, 133, 144, 170, 185, 186, 215, D24/214, 209, 206, 210; 606/2, 32, 89, 606/9; 607/2, 96, 98, 99, 108, 115, 145, 607/148, 149, 150; 601/1, 15-22, 72, 73, 601/123
CPC A61B 18/04; A61B 2017/00765; A61F 2007/0087; A61N 1/327
See application file for complete search history.

(56) **References Cited**

U.S. PATENT DOCUMENTS

D263,872 S *	4/1982	Rakocy	D24/214
D366,703 S *	1/1996	Huen	D13/108
D432,659 S *	10/2000	Bolleter	D24/210
D484,606 S *	12/2003	Ahn	D24/200
D490,528 S *	5/2004	Cook	D24/200
D548,327 S *	8/2007	Fedenia	D24/108
D549,863 S *	8/2007	Garrity	D26/37
D555,818 S *	11/2007	Crawford	D26/37
D596,748 S *	7/2009	Oberreiter	D24/210
D601,257 S *	9/2009	Berlinger	D24/169
D604,855 S *	11/2009	Shearlaw	D24/133
D623,294 S *	9/2010	Rhoades	D24/133
D629,118 S *	12/2010	Yeo	D24/214

* cited by examiner

Primary Examiner — David G Muller
(74) *Attorney, Agent, or Firm* — King & Spalding LLP

(57) **CLAIM**

The ornamental design for a handheld microporation device, as shown and described.

DESCRIPTION

FIG. 1 shows a perspective view of a handheld microporation device according to the invention;
 FIG. 2 shows a left side elevation view thereof;
 FIG. 3 shows a right side elevation view thereof;
 FIG. 4 shows a top plan view thereof;
 FIG. 5 shows a bottom plan view thereof;
 FIG. 6 shows a front elevation view thereof; and,
 FIG. 7 shows a rear elevation view thereof.

The portions of the drawings rendered in broken lines are shown for purposes of illustration only and form no part of the claimed design.

1 Claim, 7 Drawing Sheets

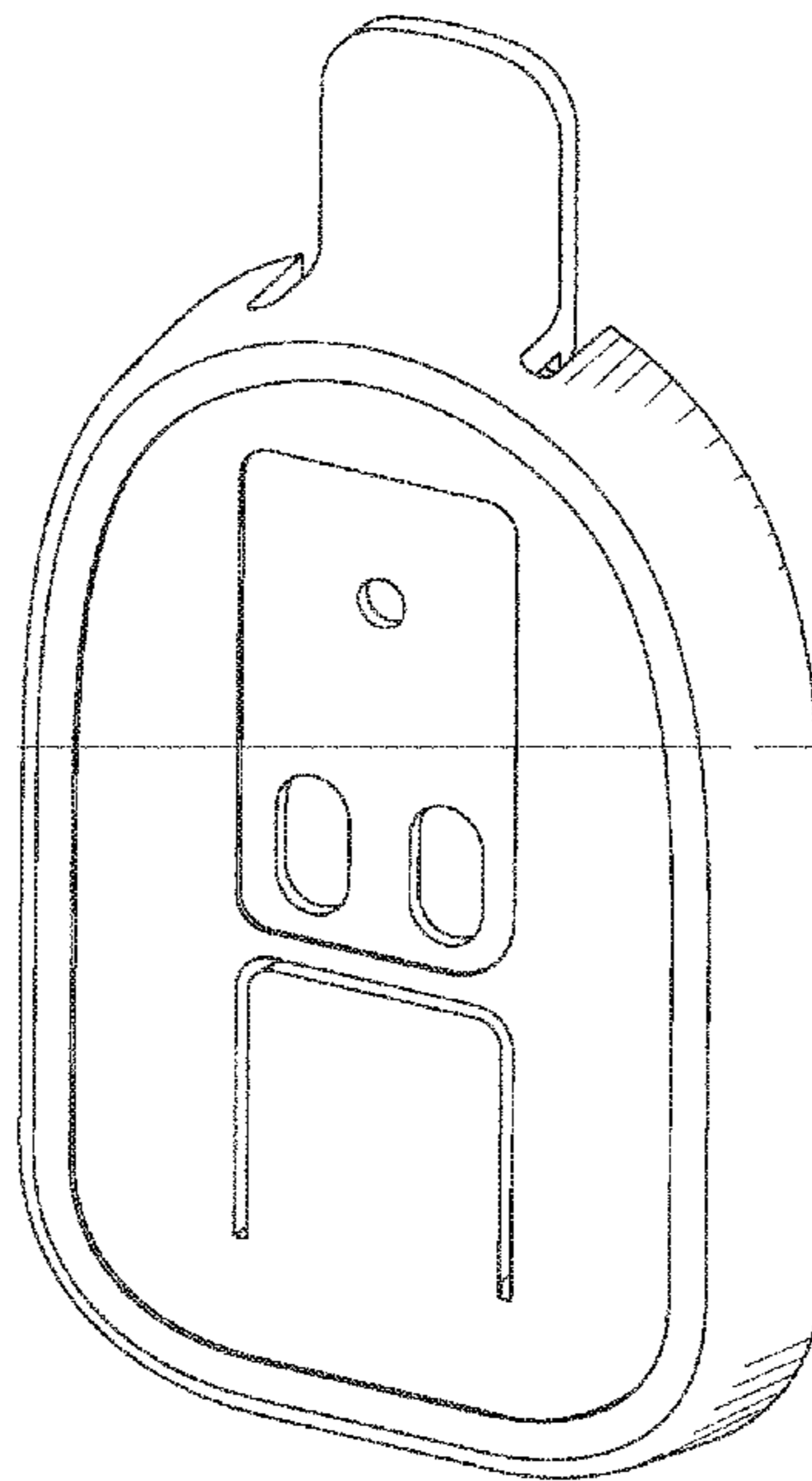


FIG. 1

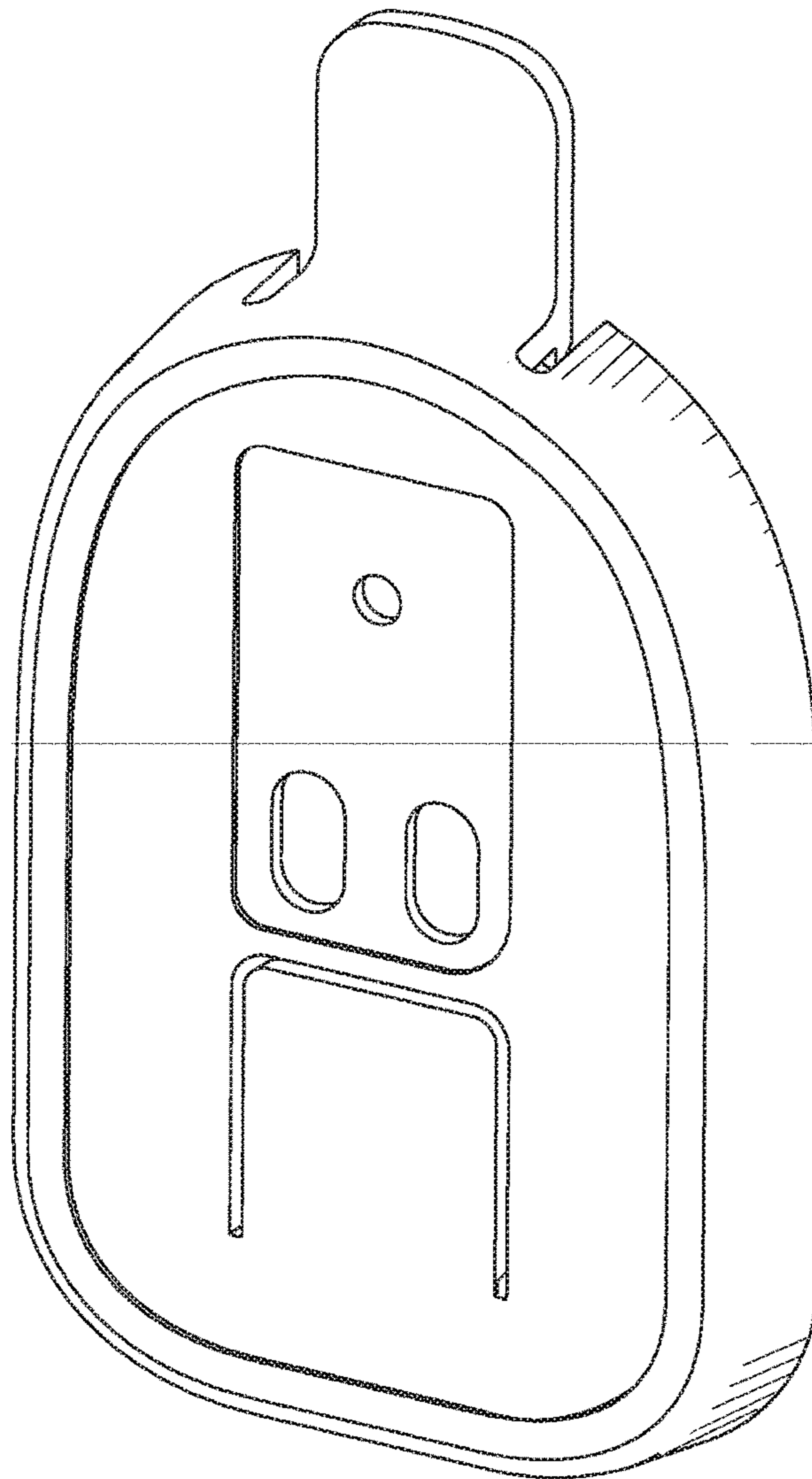


FIG. 2

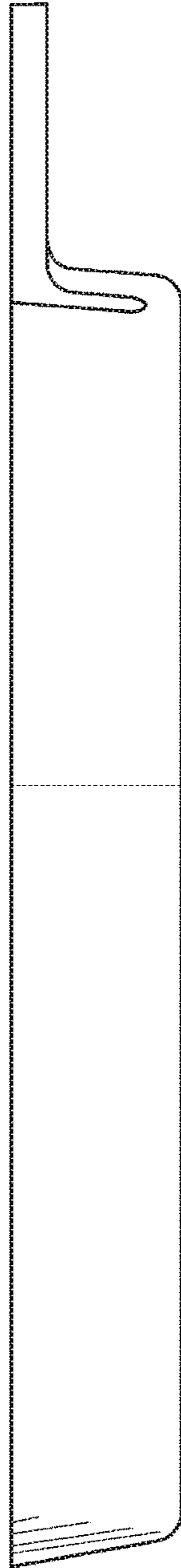


FIG. 3

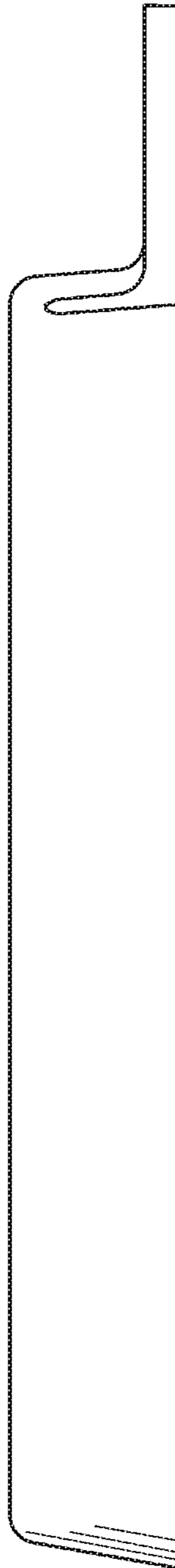


FIG. 4

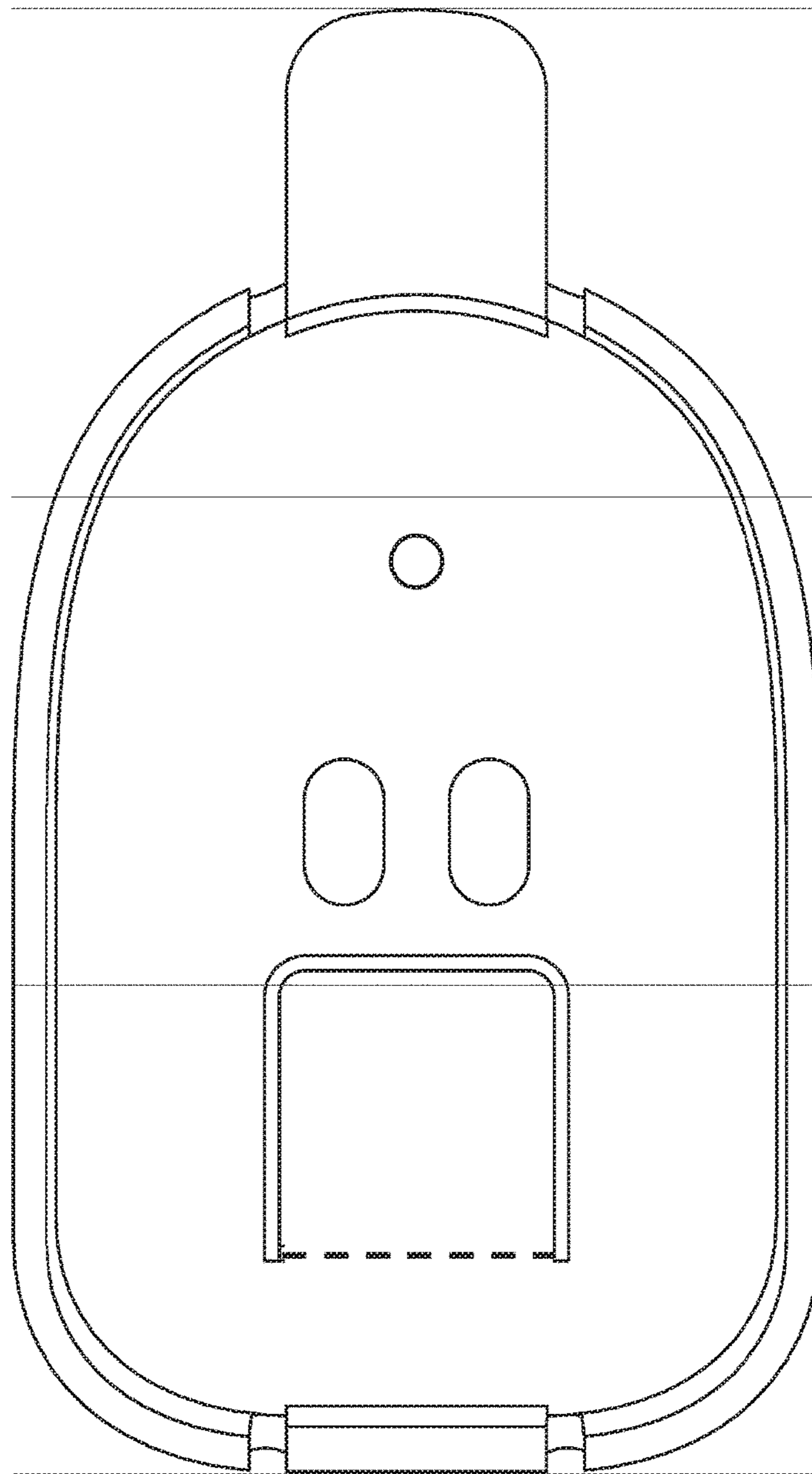


FIG. 5

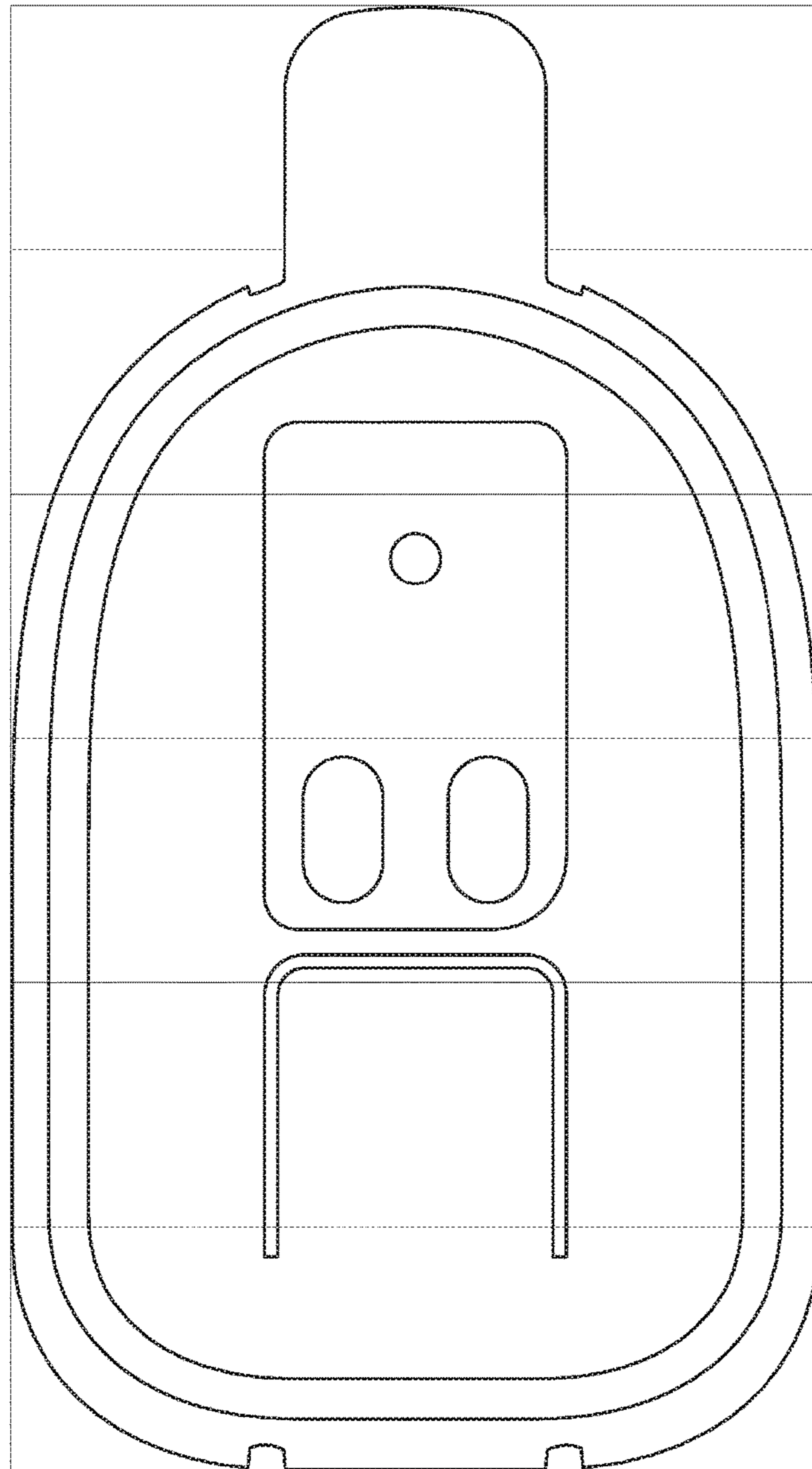


FIG. 6

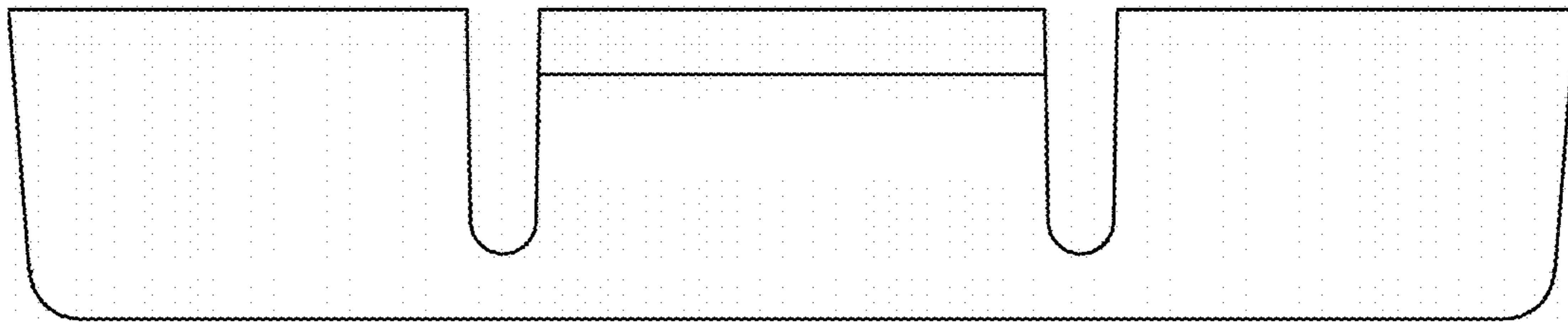
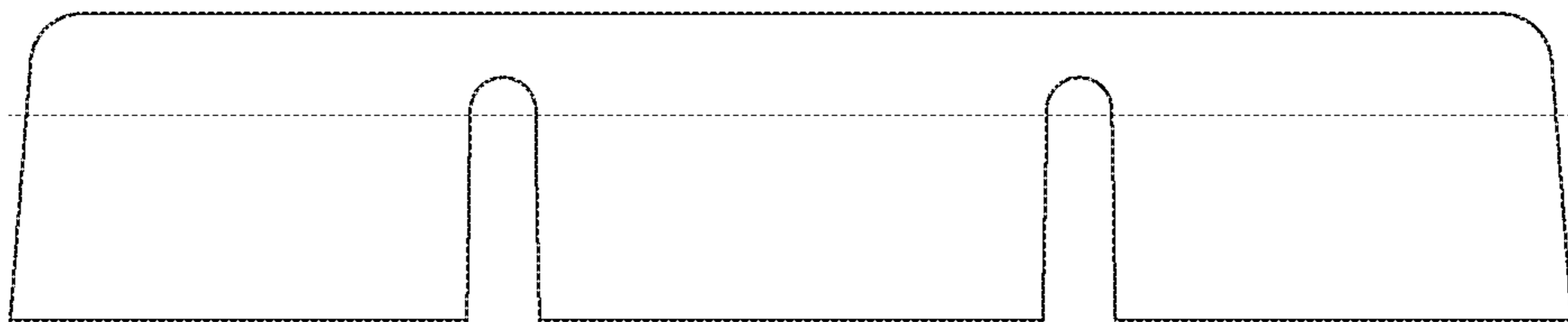


FIG. 7



UNITED STATES PATENT AND TRADEMARK OFFICE
CERTIFICATE OF CORRECTION

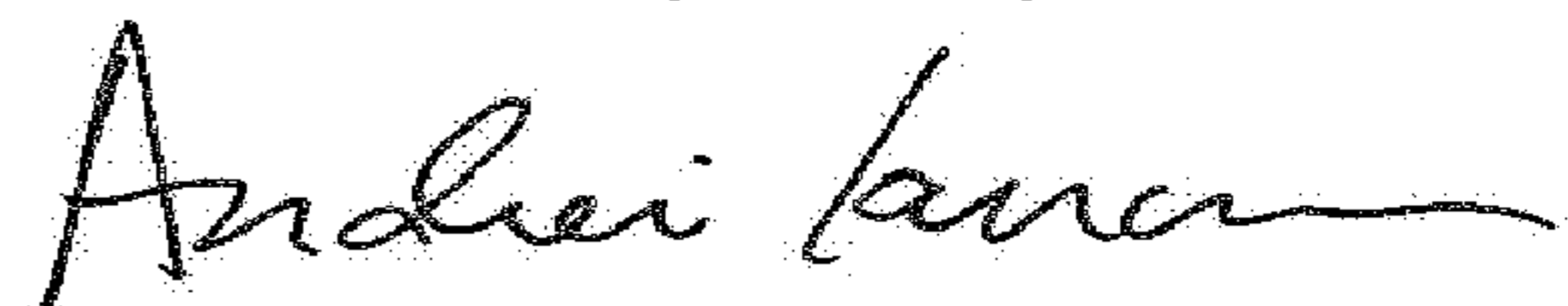
PATENT NO. : D806,885 S
APPLICATION NO. : 29/519238
DATED : January 2, 2018
INVENTOR(S) : Michael R. Hatch et al.

Page 1 of 8

It is certified that error appears in the above-identified patent and that said Letters Patent is hereby corrected as shown below:

Replace the seven drawing sheets with the attached sheets of drawings.

Signed and Sealed this
Tenth Day of July, 2018



Andrei Iancu
Director of the United States Patent and Trademark Office

FIG. 1

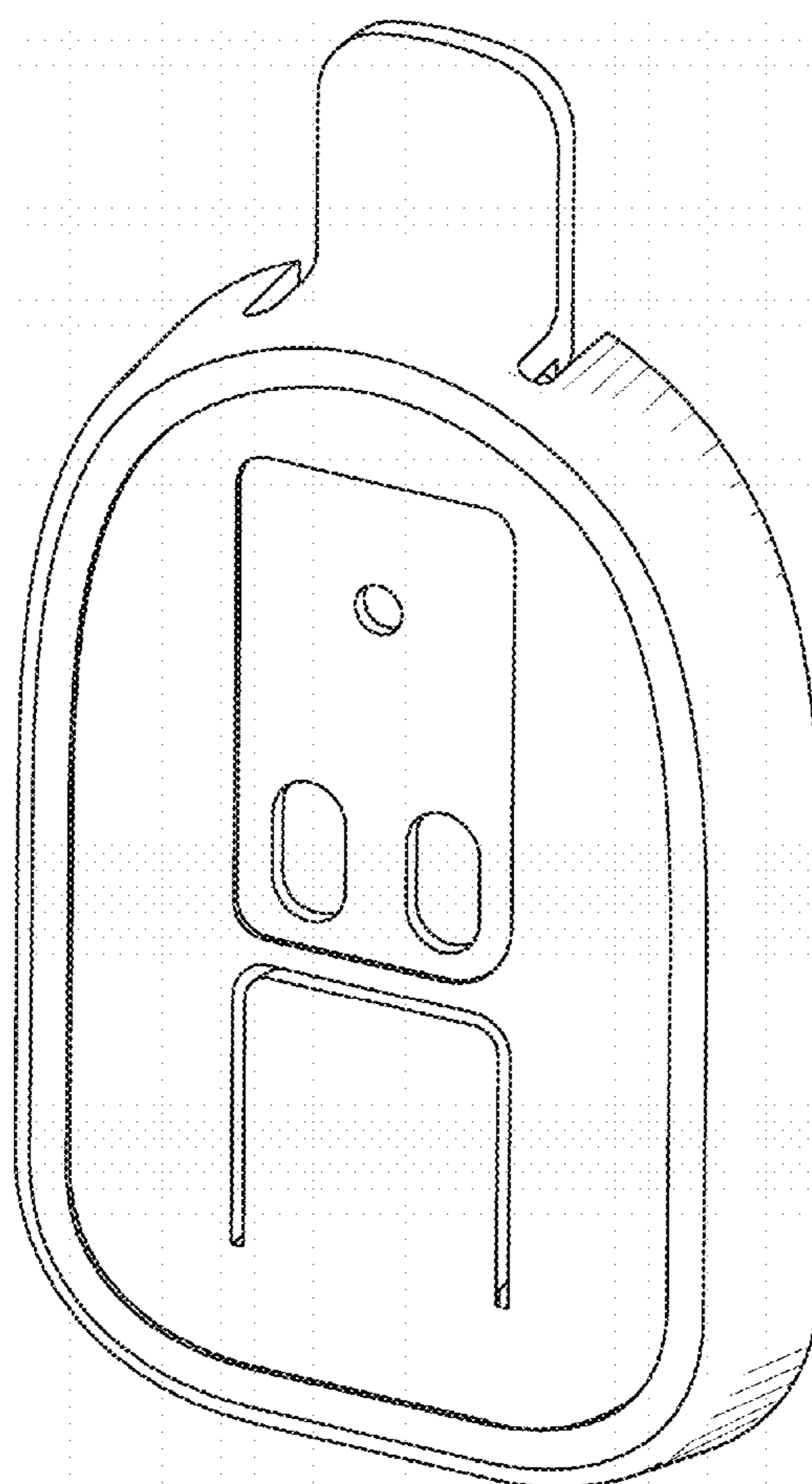


FIG. 2

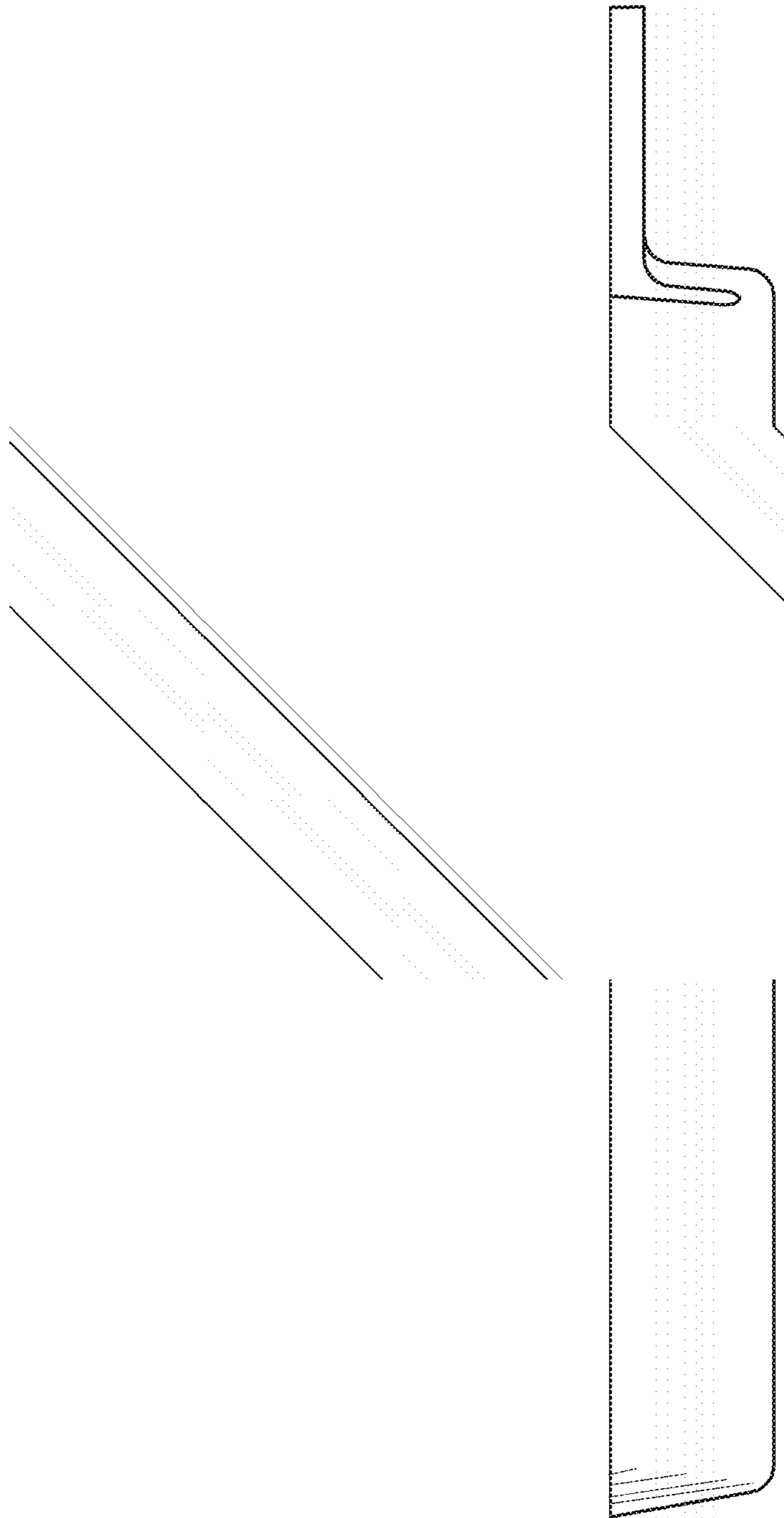


FIG. 3

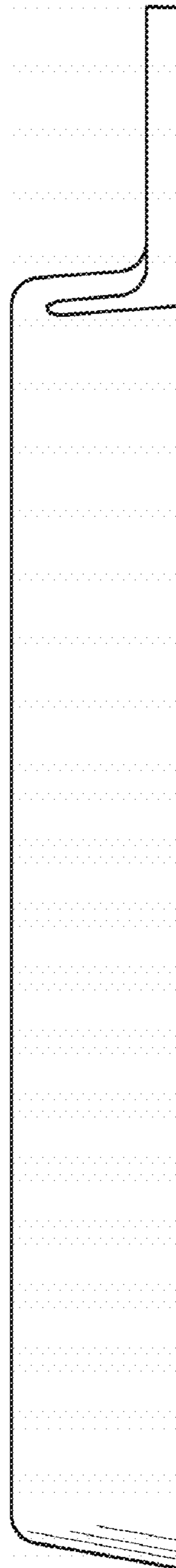


FIG. 4

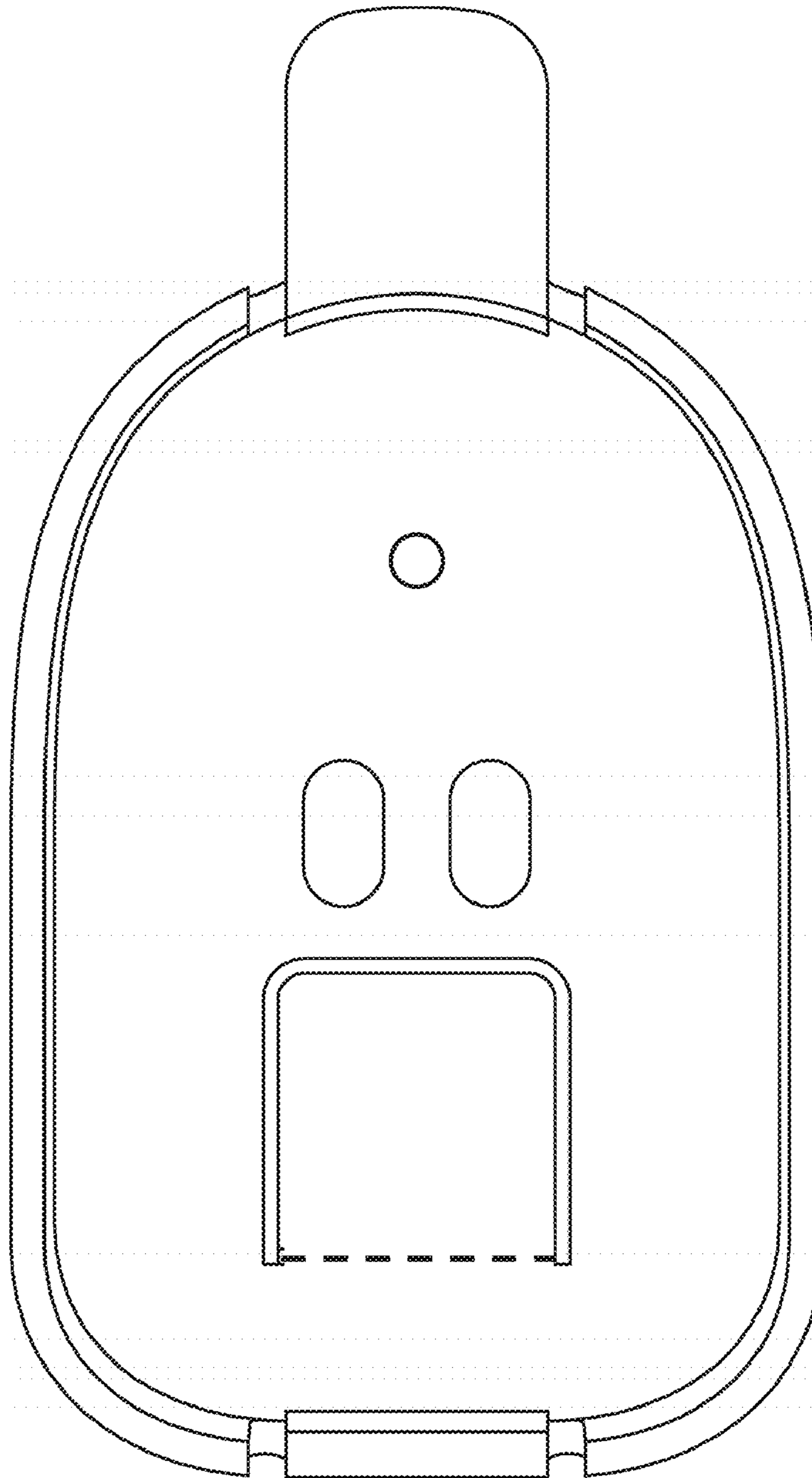


FIG. 5

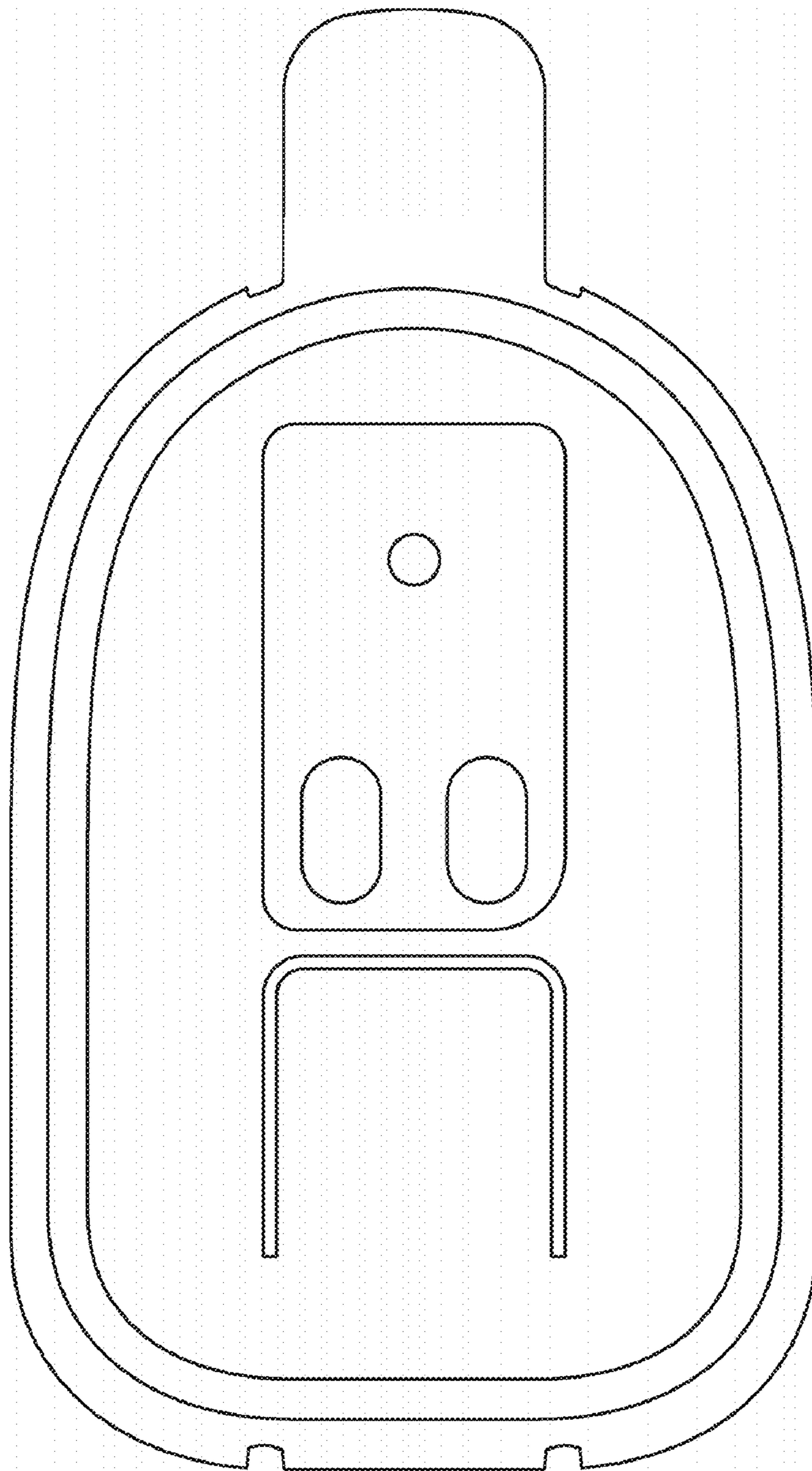


FIG. 6

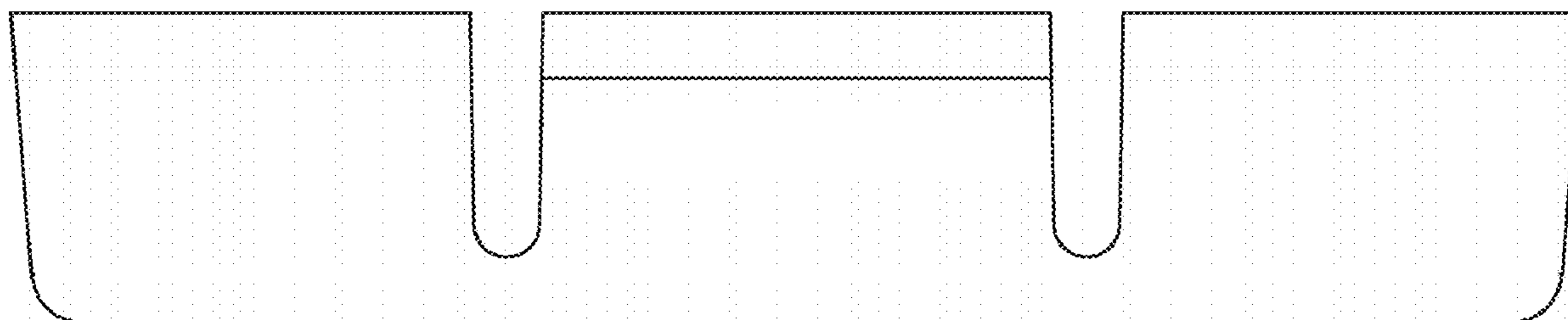


FIG. 7

