



US00D806881S

(12) **United States Design Patent**  
**Corrigan et al.**

(10) **Patent No.:** **US D806,881 S**

(45) **Date of Patent:** **\*\* Jan. 2, 2018**

(54) **INCUBATOR ANALYZER**

(71) Applicant: **Fluke Corporation**, Everett, WA (US)

(72) Inventors: **Christopher Corrigan**, Seattle, WA (US); **B. Matthew Marzynski**, Seattle, WA (US)

(73) Assignee: **Fluke Corporation**, Everett, WA (US)

(\*\*) Term: **15 Years**

(21) Appl. No.: **29/544,914**

(22) Filed: **Nov. 6, 2015**

(51) **LOC (11) Cl.** ..... **24-01**

(52) **U.S. Cl.**  
USPC ..... **D24/186; D24/163**

(58) **Field of Classification Search**  
USPC ..... D24/163, 164, 185, 186, 206, 107;  
D30/108, 117, 199; D10/52, 53, 78  
CPC .... A61G 11/00; A61G 11/002; A61G 11/005;  
A61G 11/009; A01K 41/00; A01K 41/02;  
A01K 41/04  
See application file for complete search history.

(56) **References Cited**

**U.S. PATENT DOCUMENTS**

D597,865 S \* 8/2009 Bernard ..... D10/52  
D609,351 S \* 2/2010 Wagener ..... D24/186

D703,074 S \* 4/2014 Knopp ..... D10/78  
D730,216 S \* 5/2015 McLaughlin ..... D24/216  
D745,172 S \* 12/2015 Marzynski ..... D24/186

\* cited by examiner

*Primary Examiner* — Anhdao Doan

(74) *Attorney, Agent, or Firm* — Seed IP Law Group LLP

(57) **CLAIM**

The ornamental design for an incubator analyzer, as shown and described.

**DESCRIPTION**

FIG. 1 is a top front right perspective view of an incubator analyzer showing our new design.

FIG. 2 is a top plan view thereof.

FIG. 3 is a front elevational view thereof.

FIG. 4 is a right side elevational view thereof.

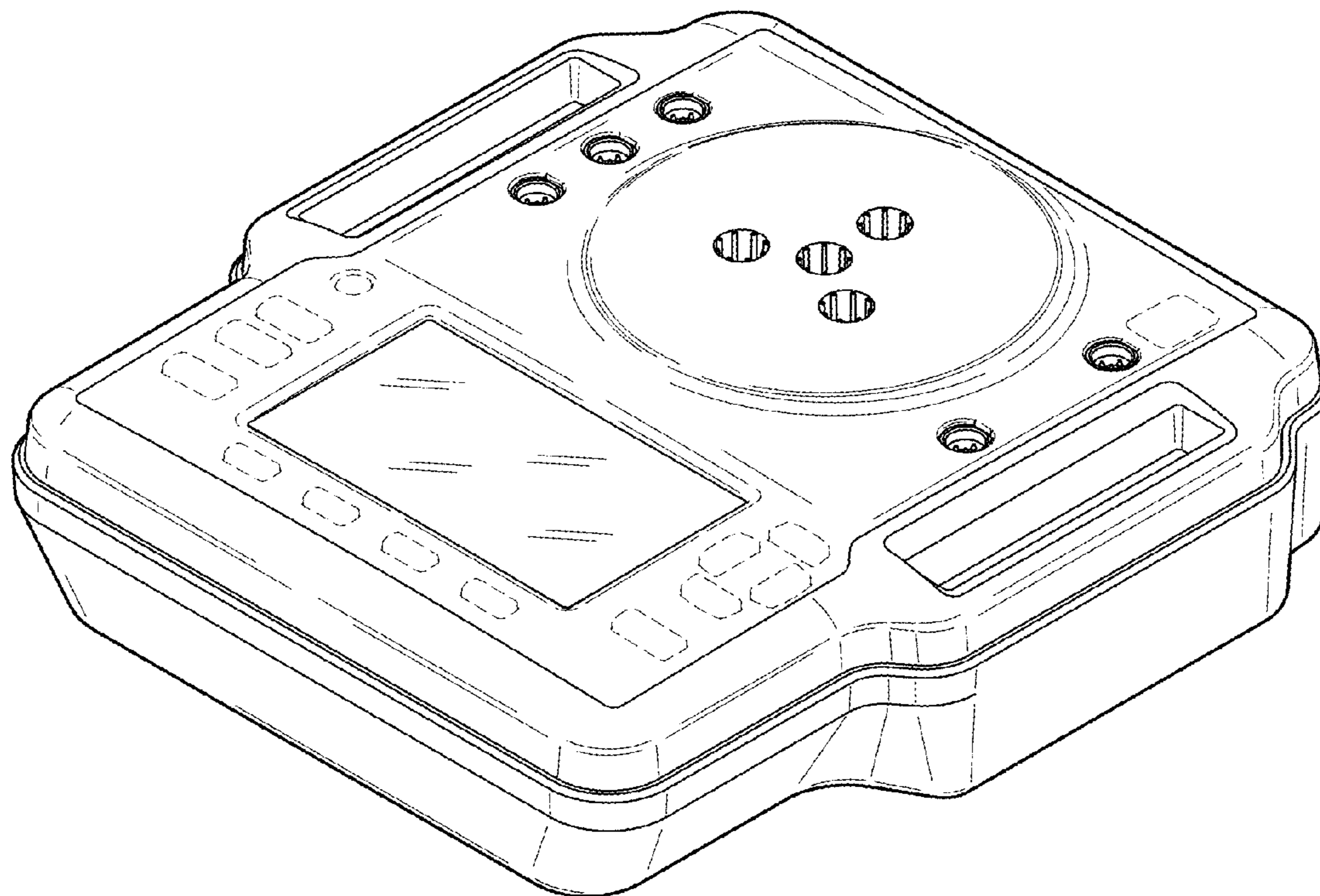
FIG. 5 is a left side elevational view thereof.

FIG. 6 is a rear elevational view thereof; and,

FIG. 7 is a bottom plan view thereof.

The broken lines in the figures illustrate portions of the incubator analyzer that form no part of the claimed design.

**1 Claim, 4 Drawing Sheets**



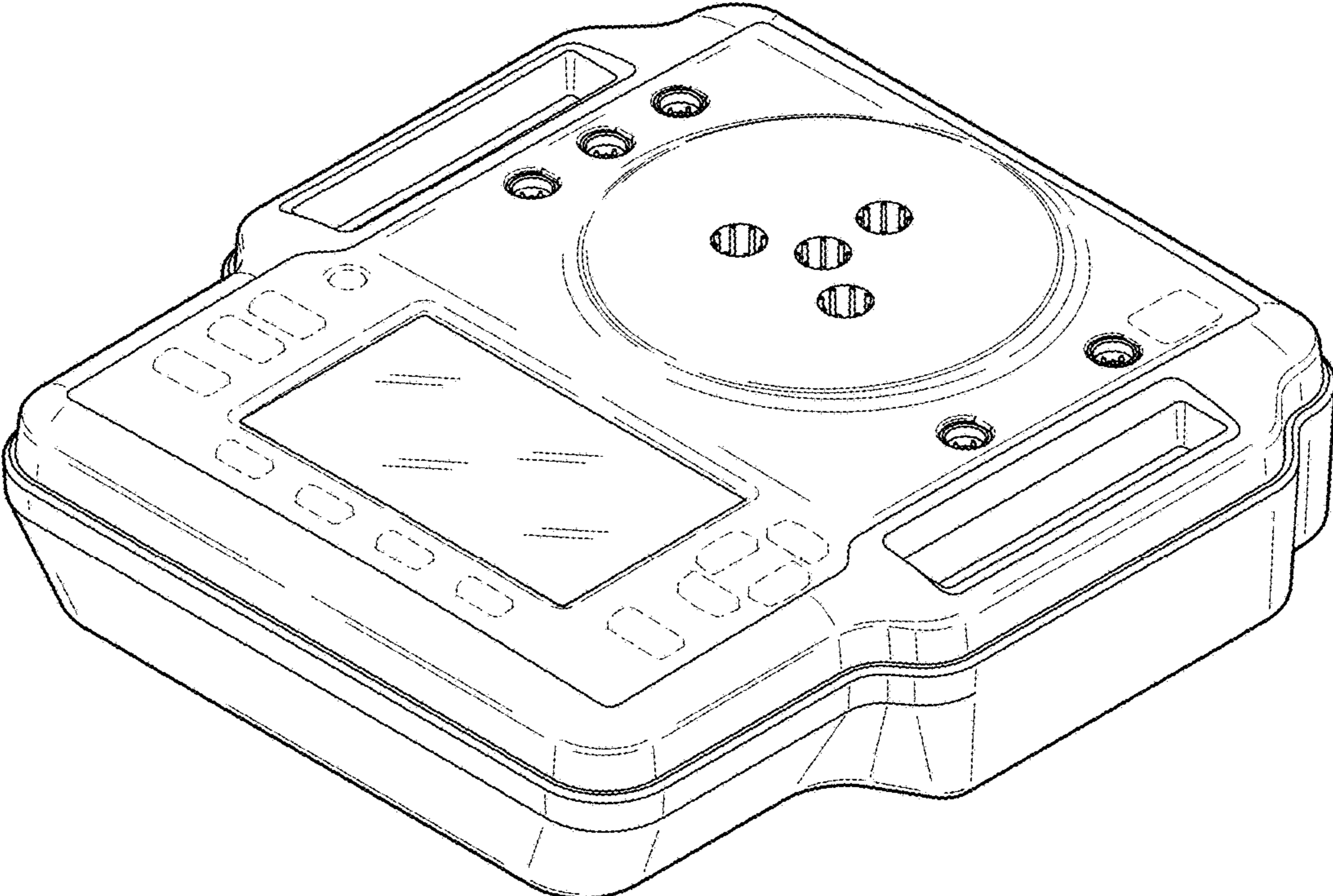


FIG.1

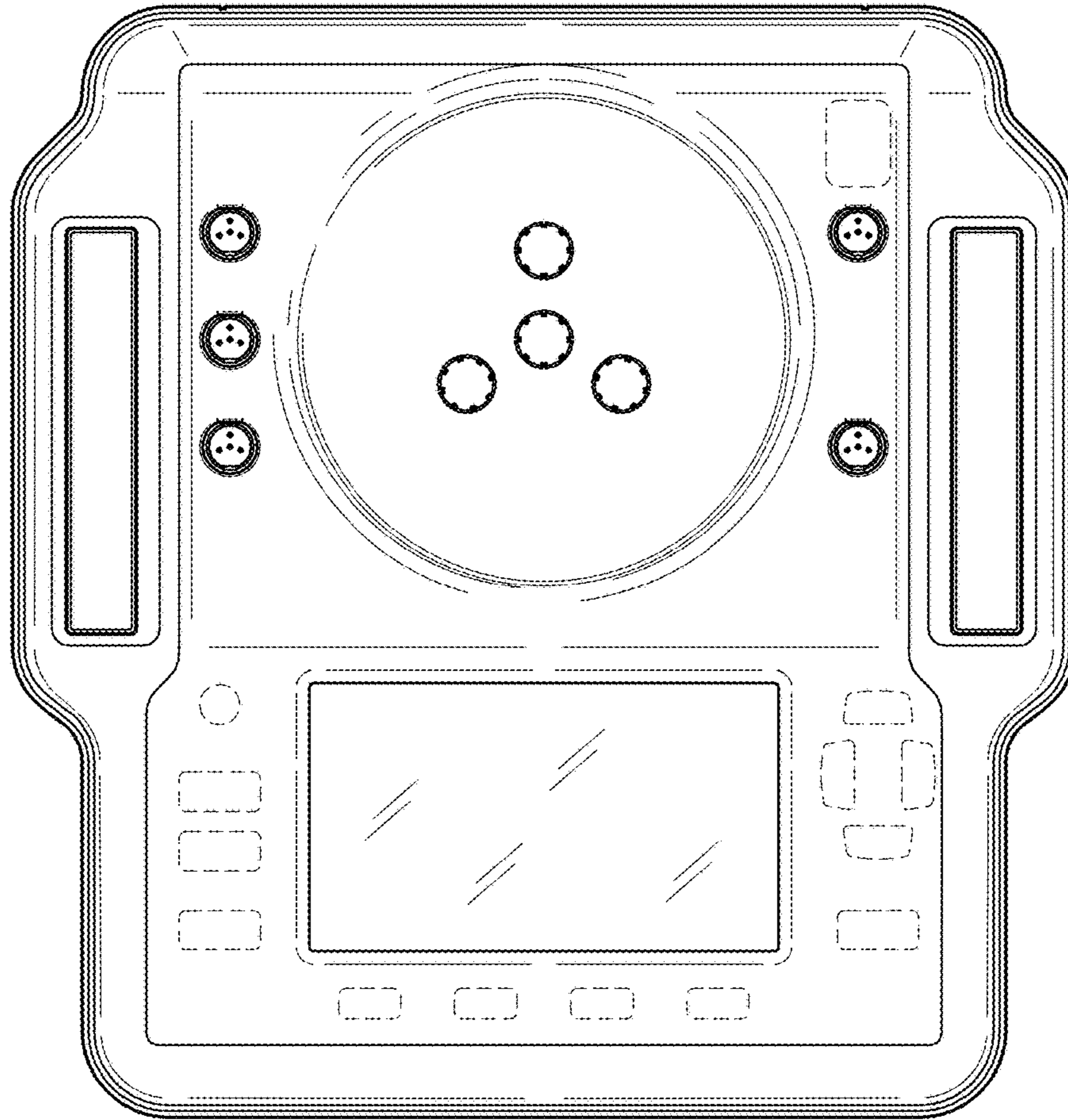


FIG.2

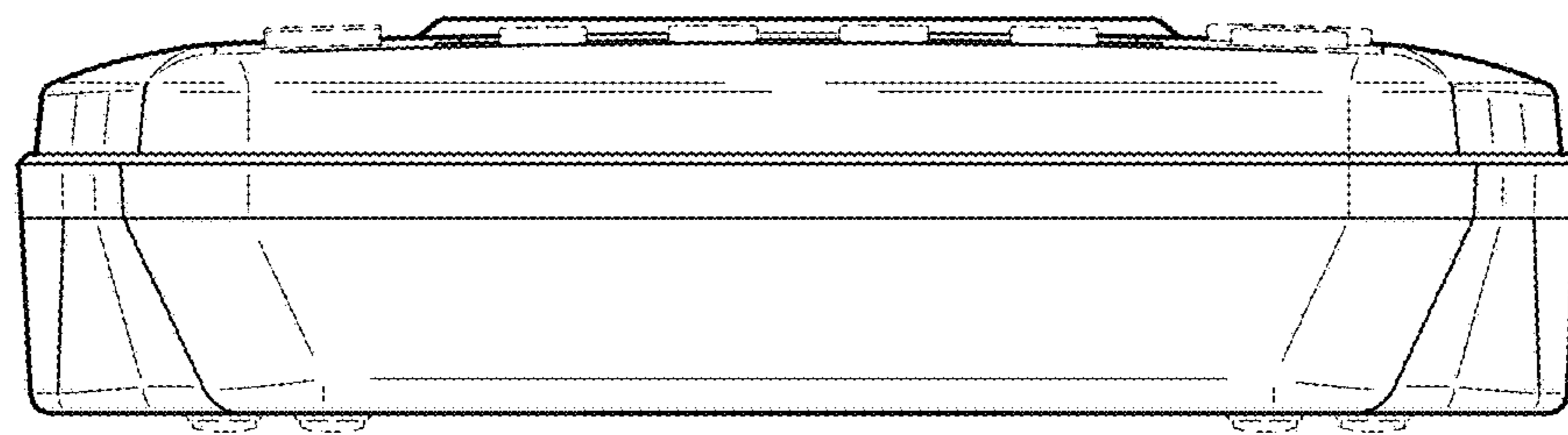


FIG.3

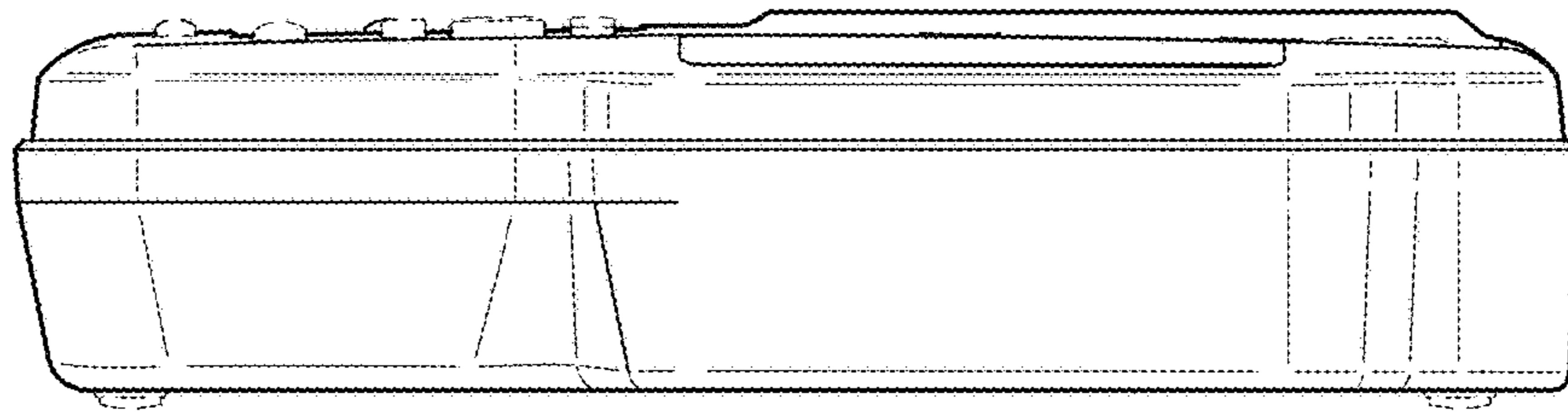


FIG.4

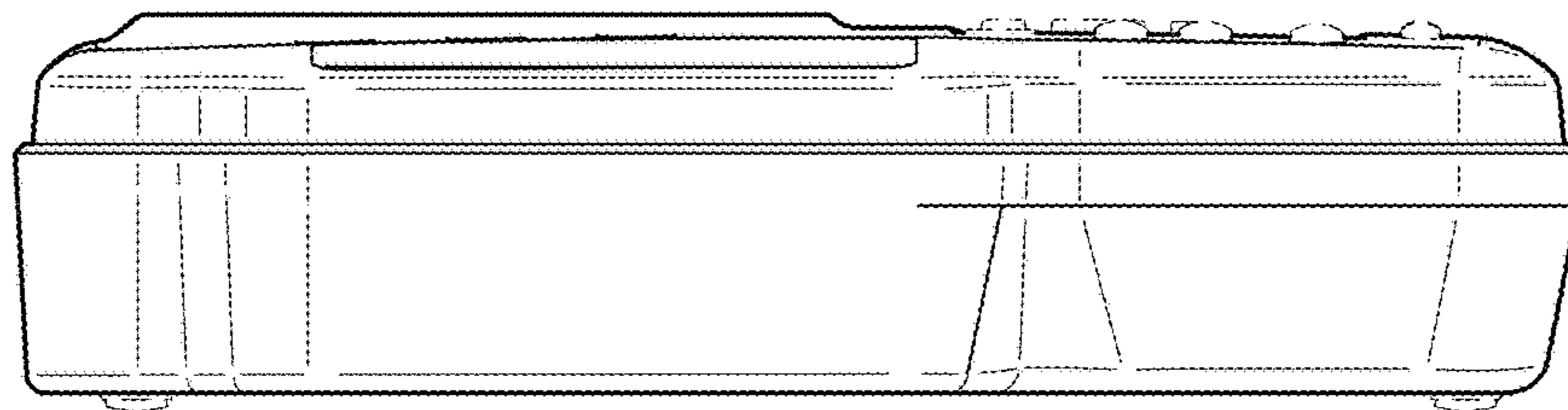


FIG.5

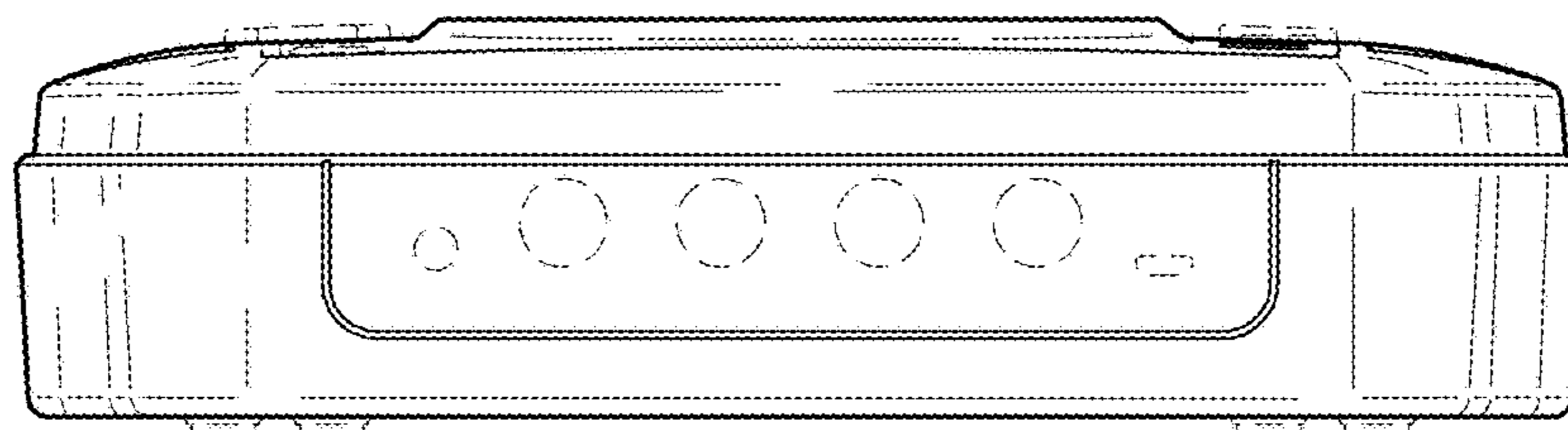


FIG.6

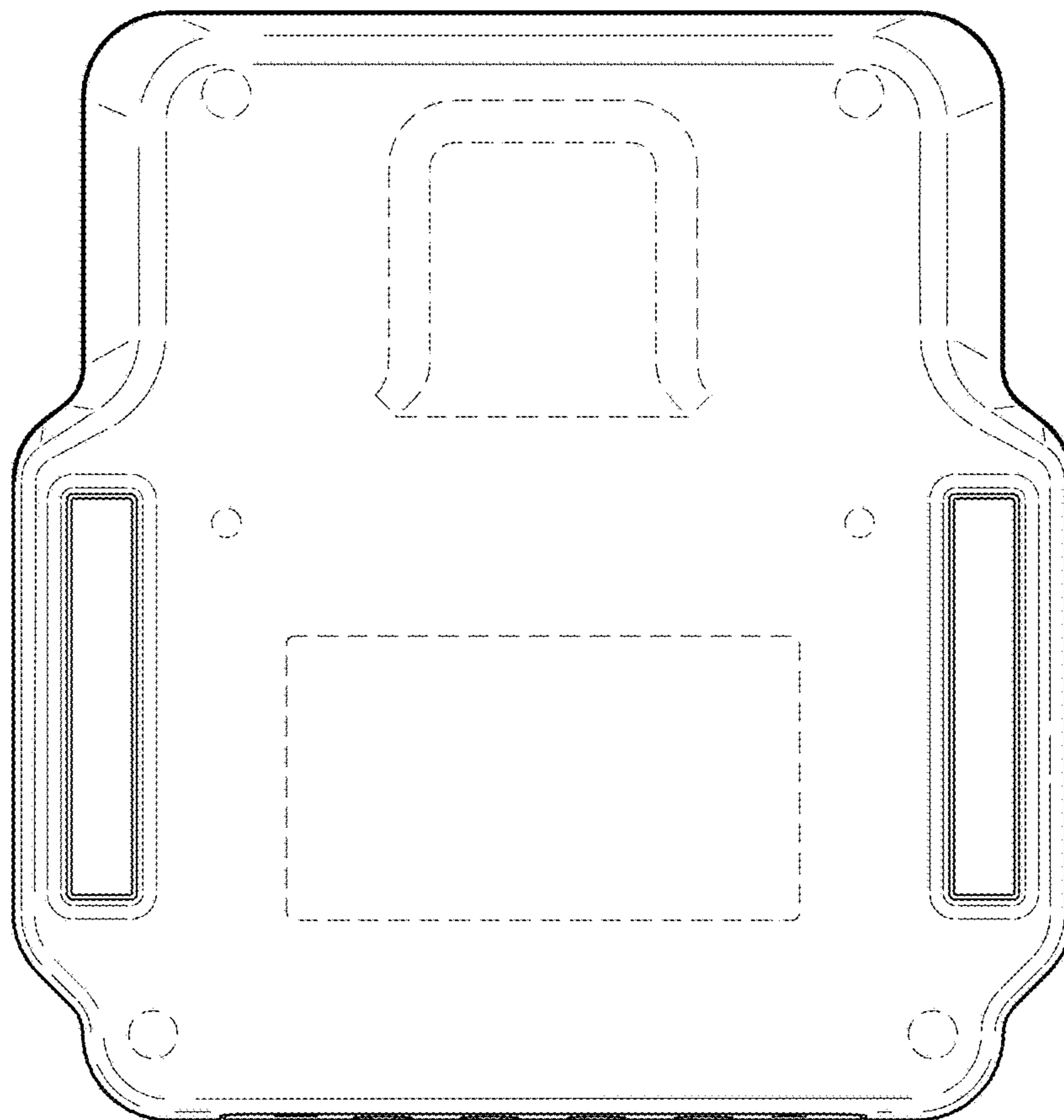


FIG.7