



US00D806879S

(12) **United States Design Patent**
Horbinski et al.

(10) **Patent No.:** **US D806,879 S**
(45) **Date of Patent:** **** Jan. 2, 2018**

(54) **HEARING DEVICE**
(71) Applicant: **ETAL DESIGNS, INC.**, San Francisco, CA (US)
(72) Inventors: **Adam Horbinski**, Portland, OR (US);
Anthony Le, San Francisco, CA (US);
Eric Tsoi, San Francisco, CA (US)
(73) Assignee: **ETAL DESIGNS, INC.**, San Francisco, CA (US)

D684,699 S * 6/2013 Heaysman D24/174
D684,700 S * 6/2013 Heaysman D24/174
D685,481 S * 7/2013 Heaysman D24/174
D728,107 S * 4/2015 Torres Martin D24/174
2010/0220884 A1* 9/2010 Aquilina H04R 25/608
381/328

(**) Term: **15 Years**

* cited by examiner

Primary Examiner — Thomas Johannes
Assistant Examiner — Samantha Q Lawrence
(74) *Attorney, Agent, or Firm* — Vista IP Law Group, LLP

(21) Appl. No.: **29/569,193**

(22) Filed: **Jun. 24, 2016**

(51) **LOC (11) Cl.** **24-99**

(52) **U.S. Cl.**
USPC **D24/174**

(58) **Field of Classification Search**
USPC D24/173–175; D14/205, 223–226, 249
CPC .. H04R 2225/025; H04R 25/00; H04R 25/02;
H04R 25/60; H04R 25/67; H04R 25/602;
H04R 25/604; H04R 25/608; H04R
1/1016; H04R 1/105; H04R 1/1083; A61F
11/08

See application file for complete search history.

(56) **References Cited**

U.S. PATENT DOCUMENTS

D549,222 S * 8/2007 Huang A61F 11/08
D14/223
D674,490 S * 1/2013 Bailey D24/174

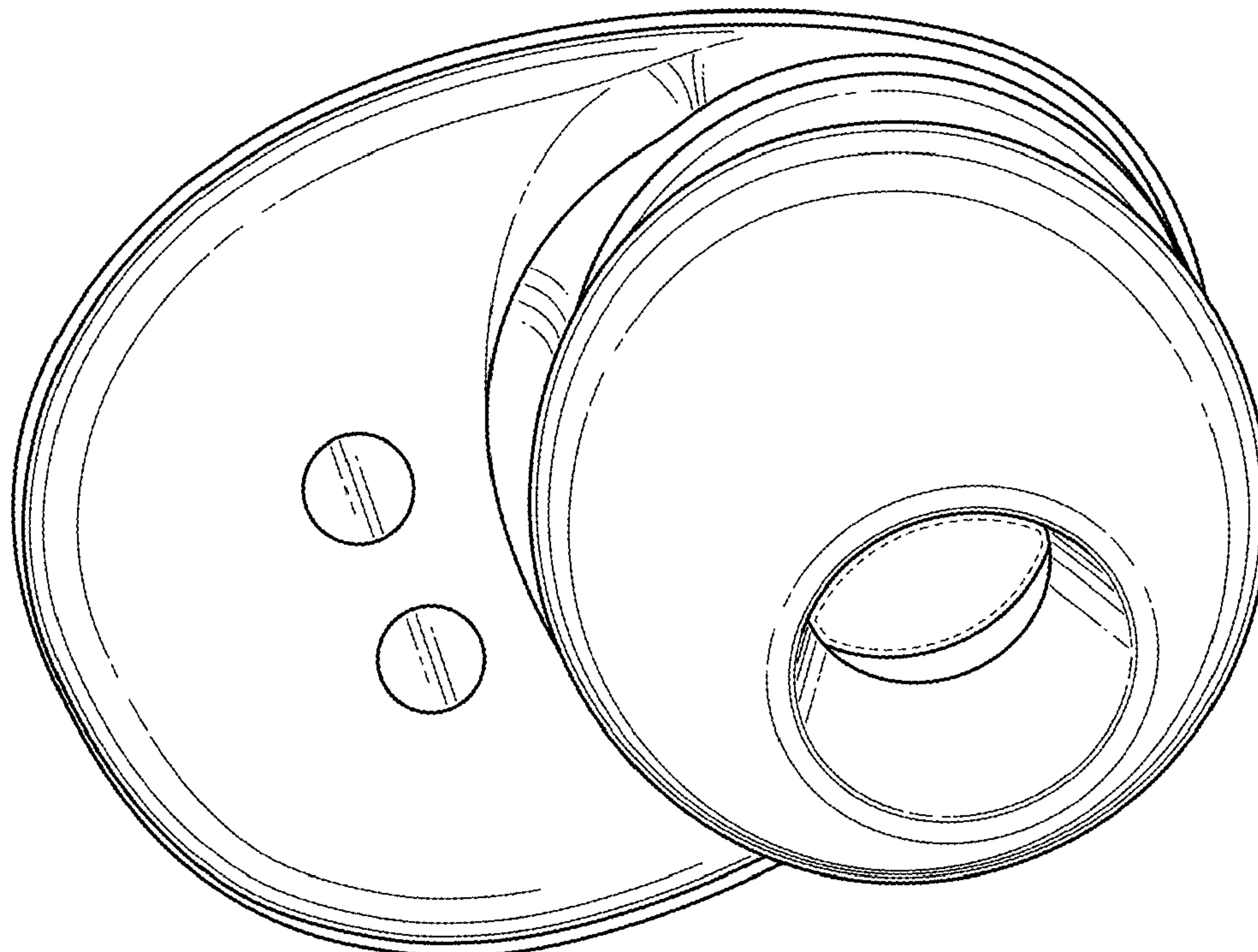
(57) **CLAIM**

The ornamental design for a hearing device, as shown and described.

DESCRIPTION

FIG. 1 is a top perspective of a hearing device;
FIG. 2 is a side view thereof;
FIG. 3 is a front perspective view thereof;
FIG. 4 is a bottom perspective view thereof;
FIG. 5 is bottom view thereof;
FIG. 6 is another bottom perspective view thereof;
FIG. 7 is a side perspective view thereof;
FIG. 8 is another top perspective view thereof; and,
FIG. 9 is another side perspective view thereof.
The broken lines shown in FIGS. 1, 4, 5, 6, and 8 illustrate a boundary line that forms no part of the claimed design.

1 Claim, 9 Drawing Sheets



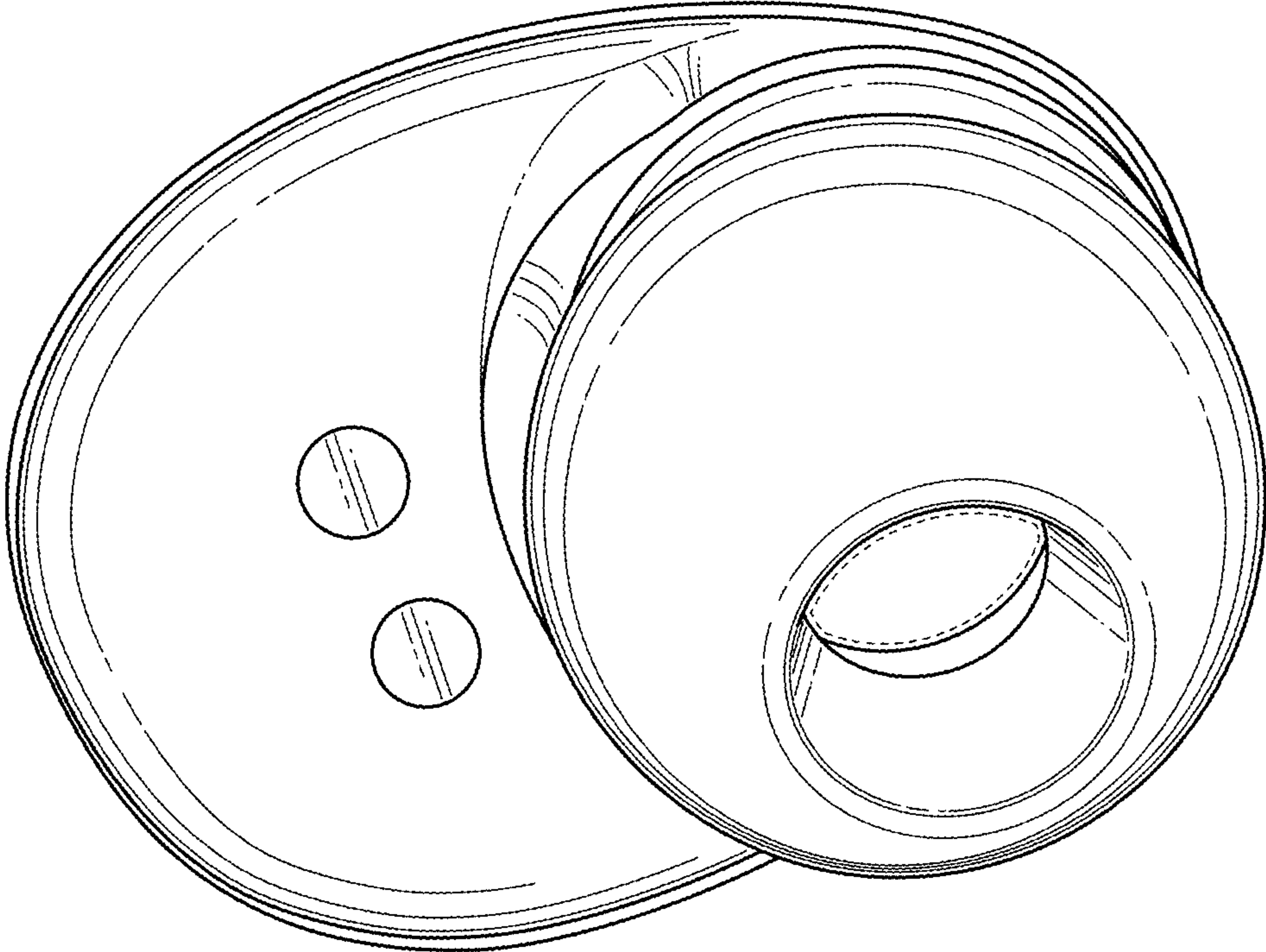


FIG. 1

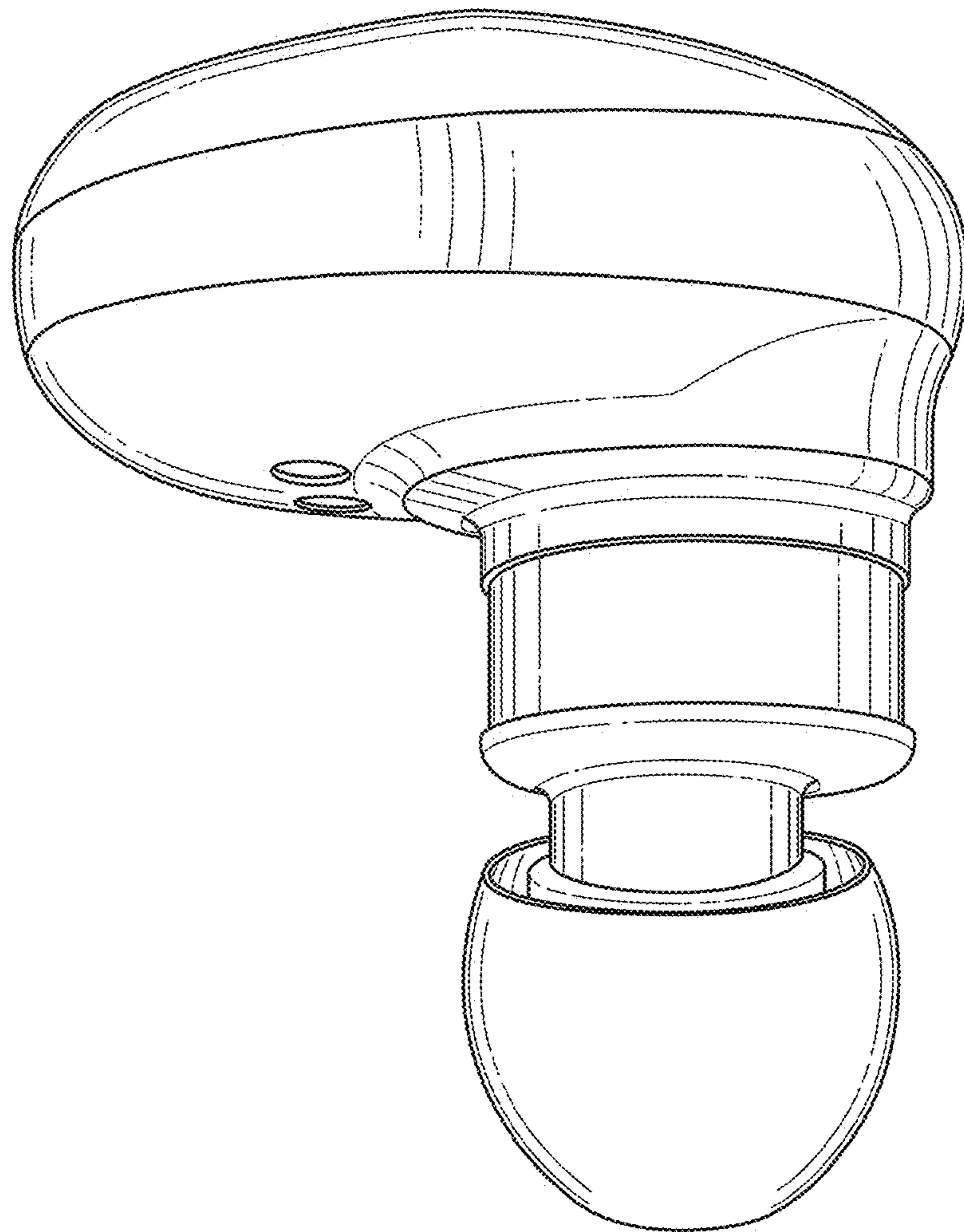


FIG. 2

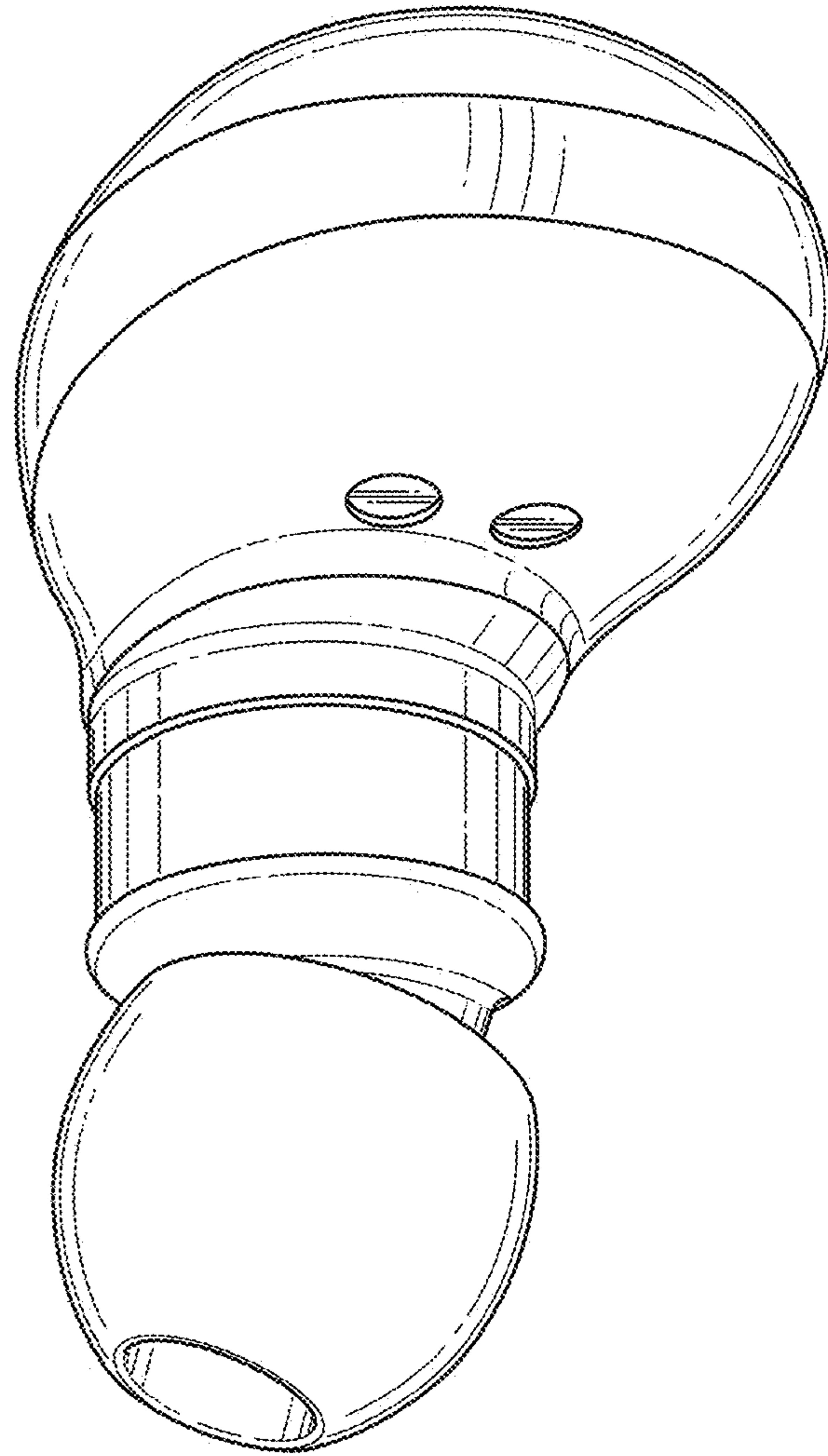


FIG. 3

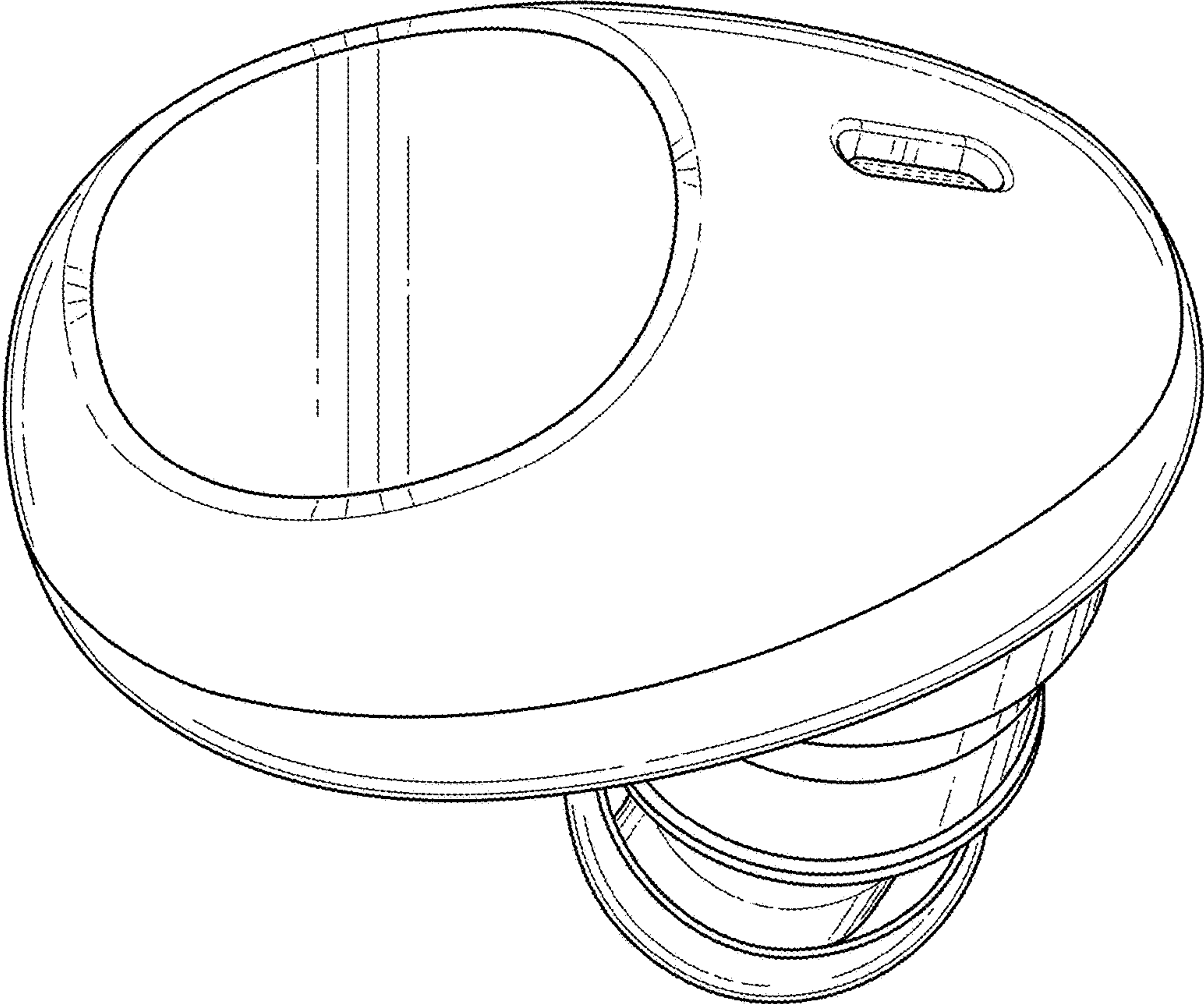


FIG. 4

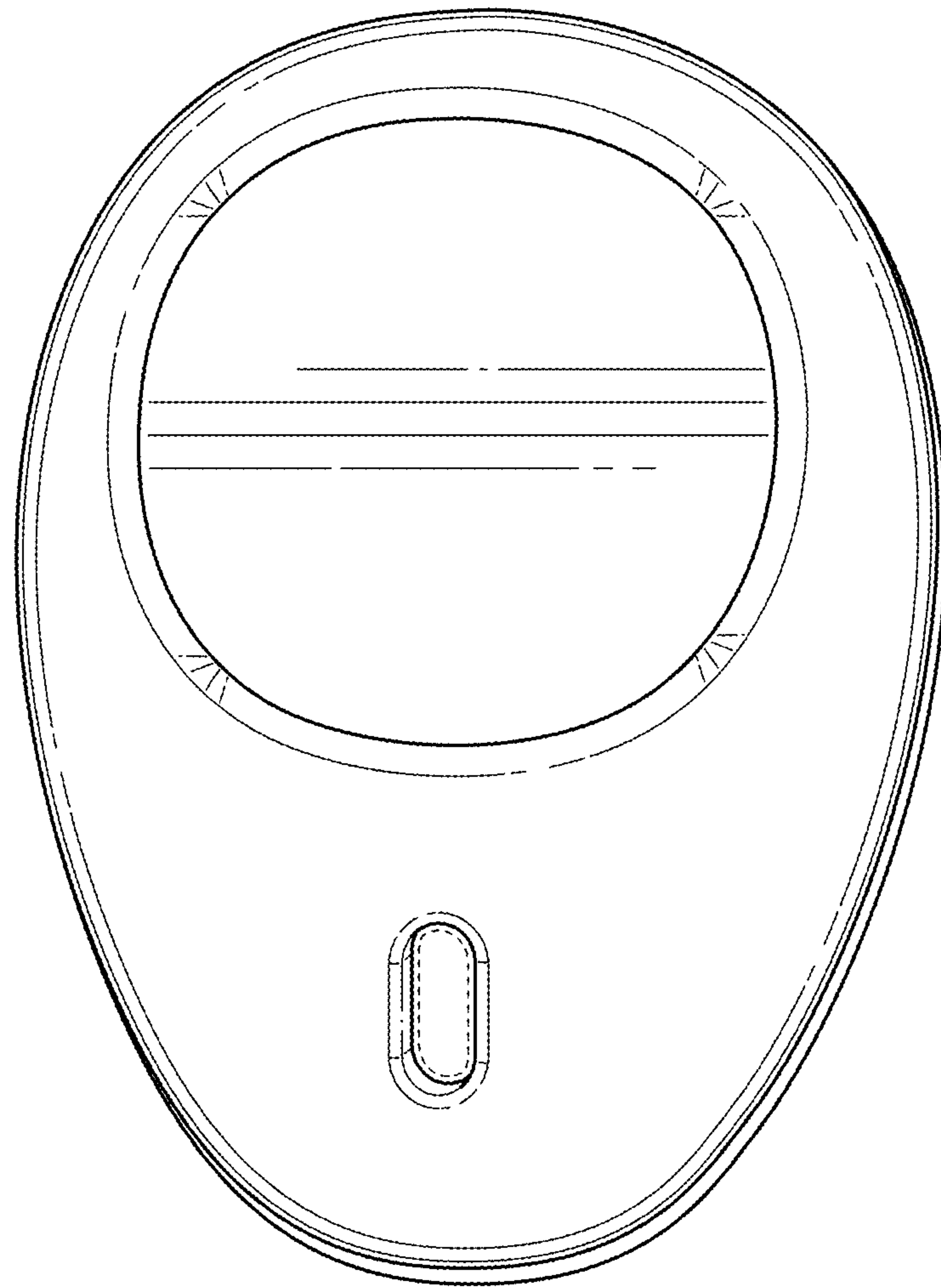


FIG. 5

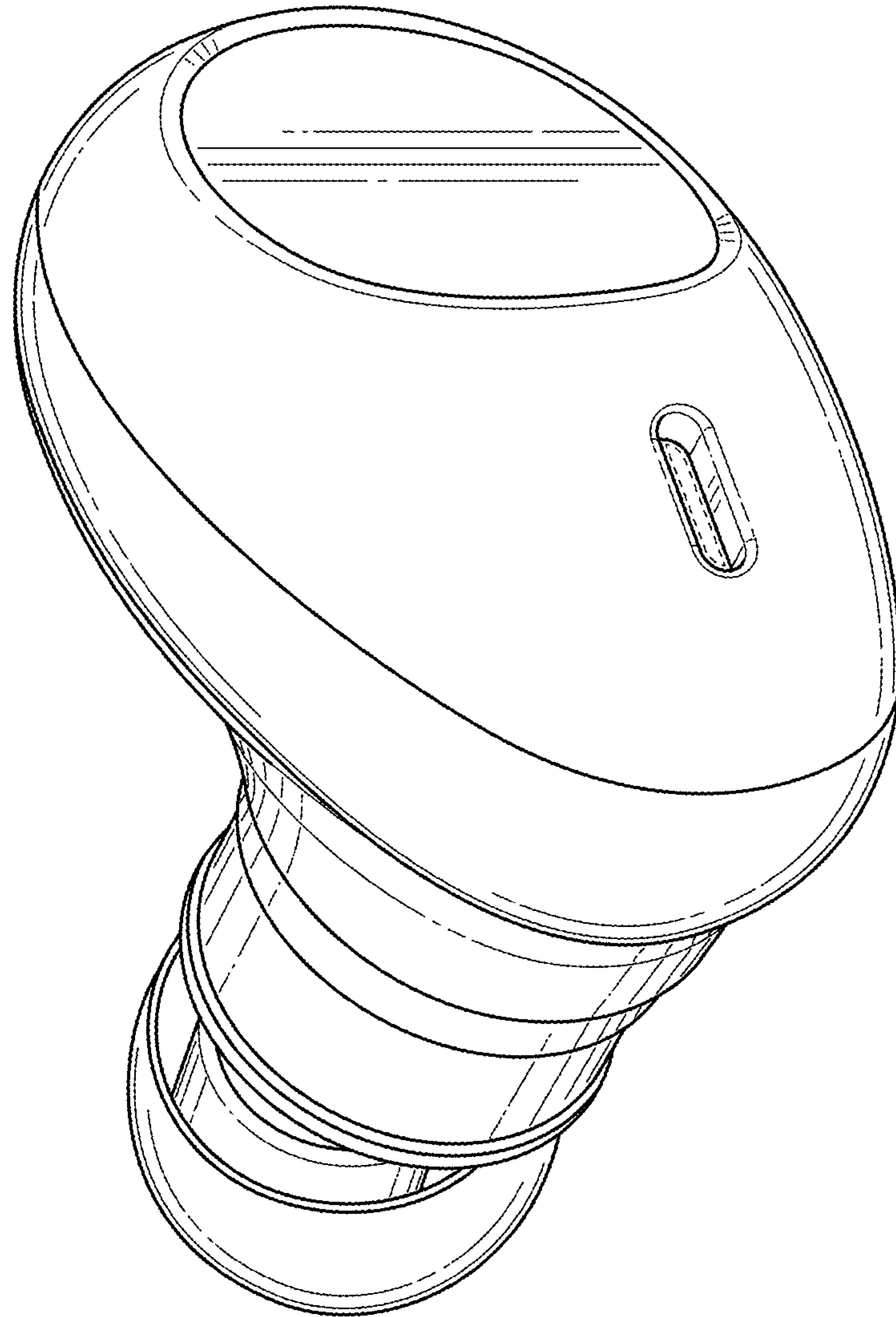


FIG. 6

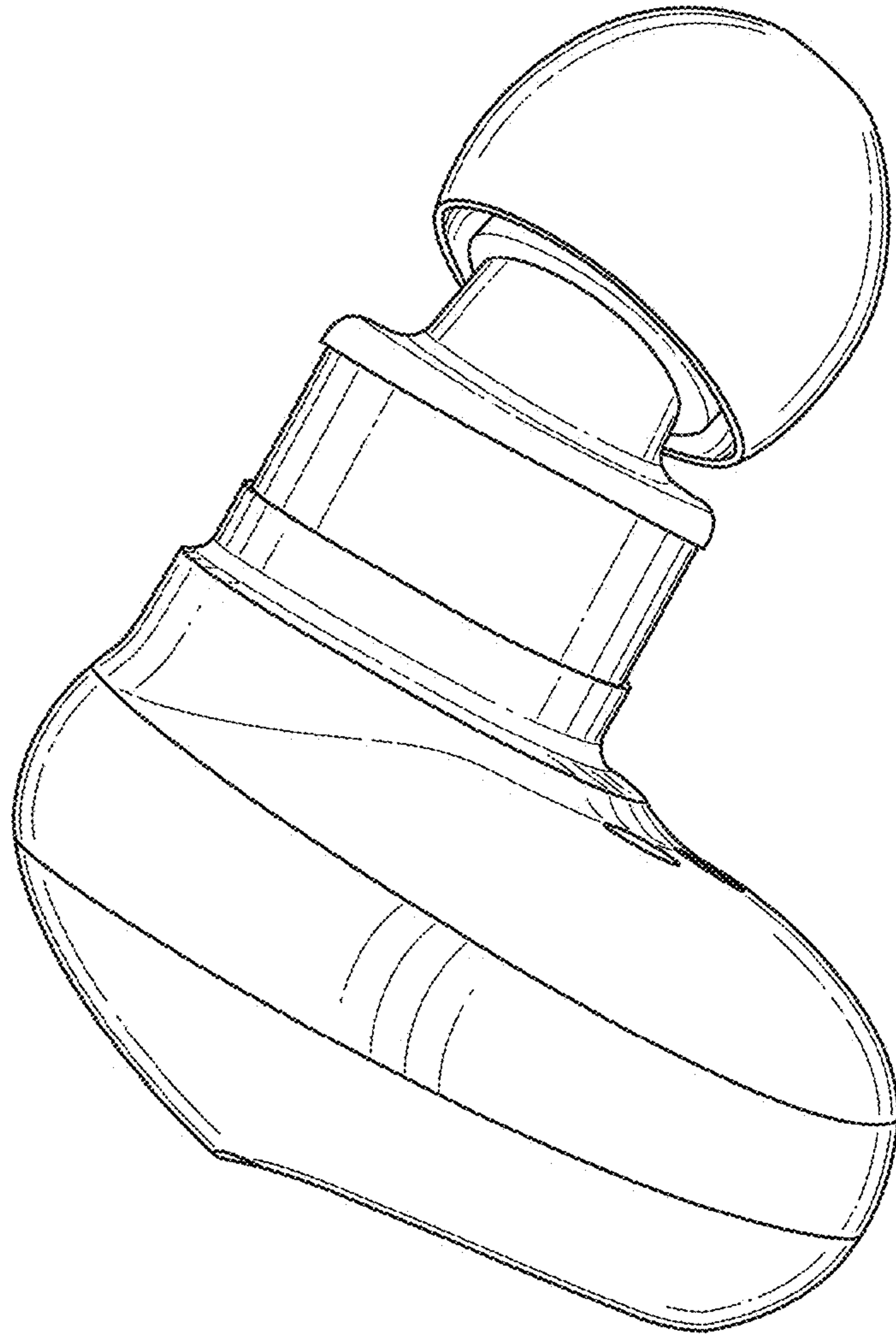


FIG. 7

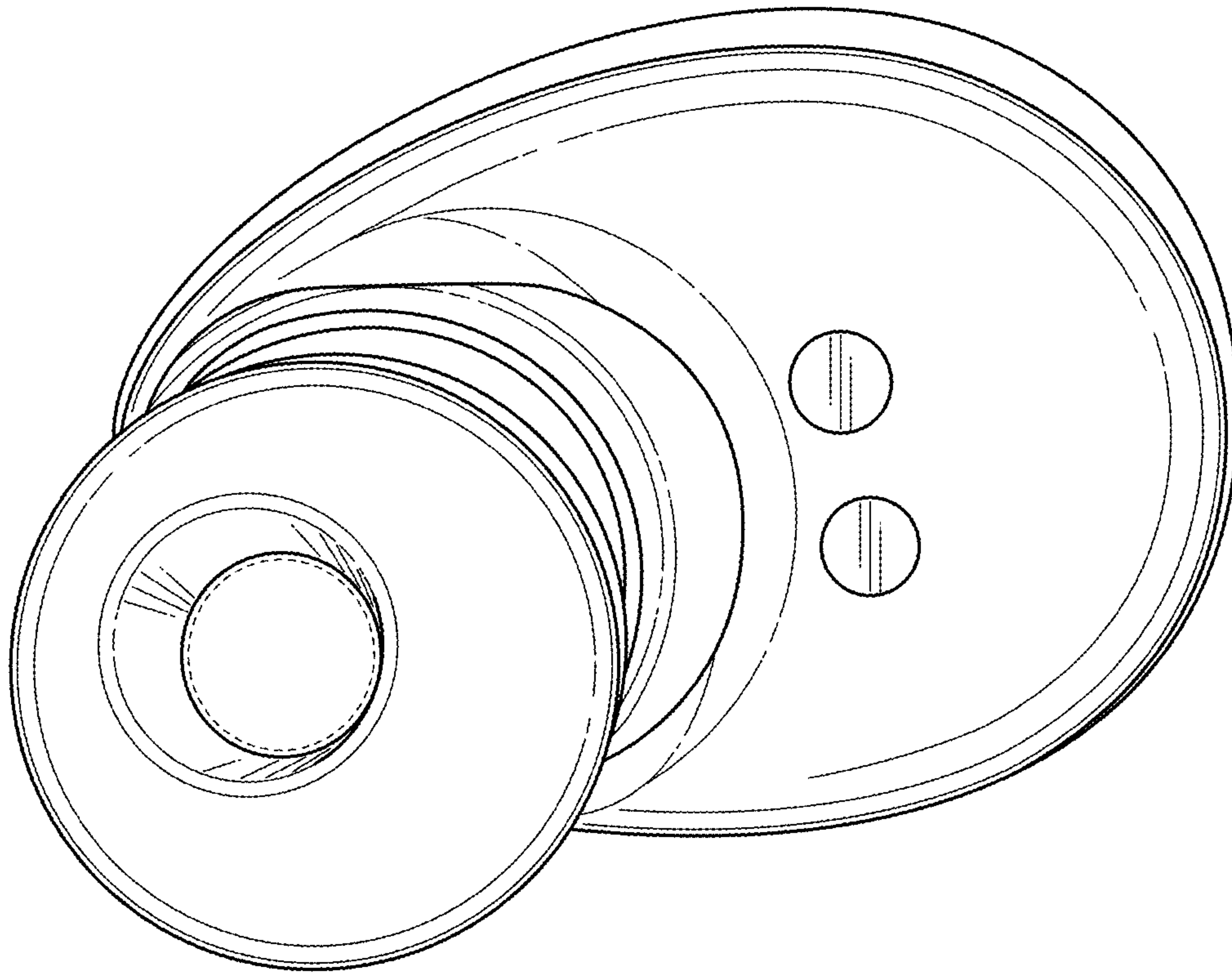


FIG. 8

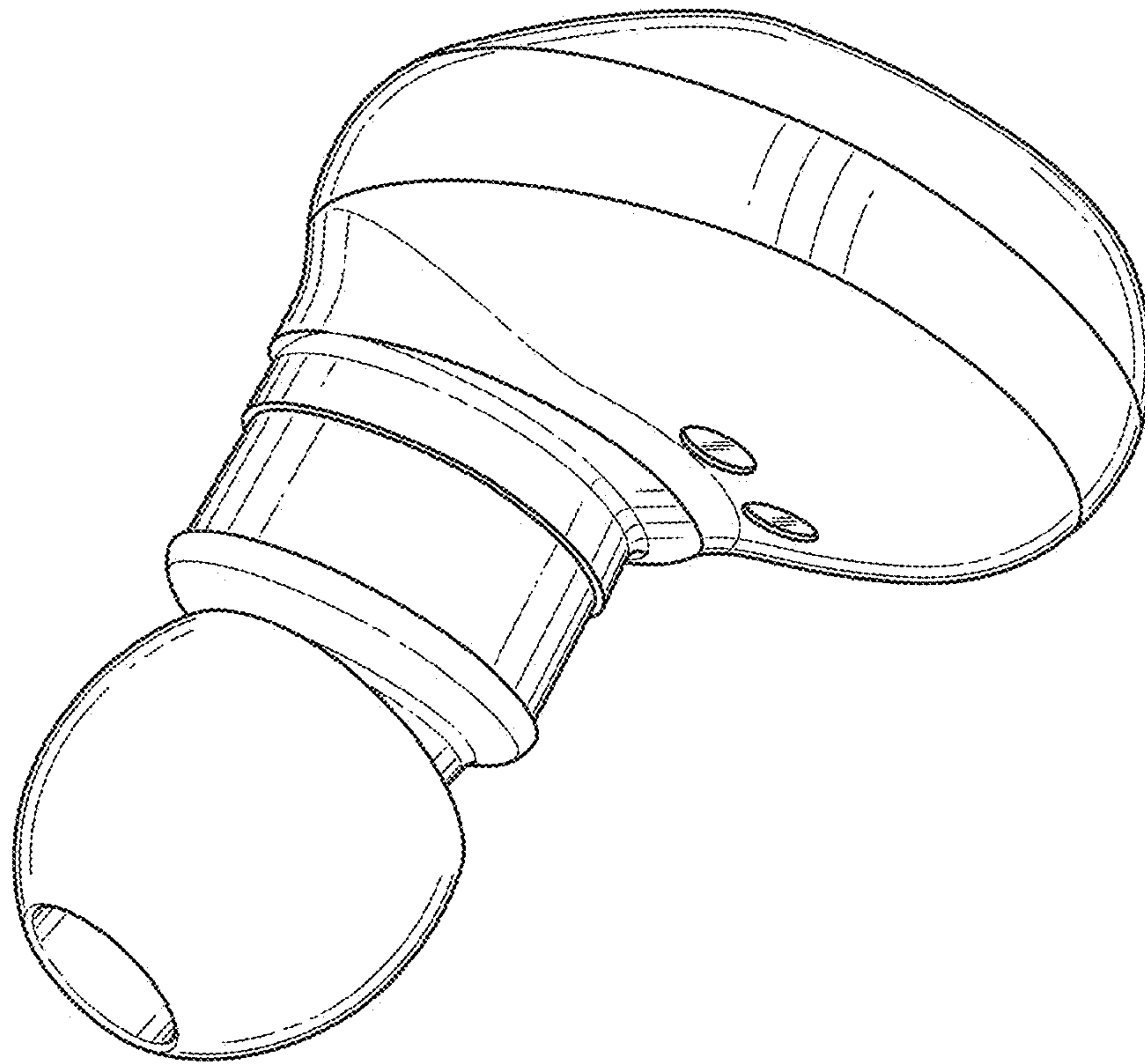


FIG. 9