



US00D806876S

(12) **United States Design Patent**  
**Kim et al.**

(10) **Patent No.:** **US D806,876 S**  
(45) **Date of Patent:** **\*\* Jan. 2, 2018**

- (54) **SCAN POST FOR DENTAL IMPLANT**
- (71) Applicant: **TRUABUTMENT KOREA, INC.**,  
Bucheon-si (KR)
- (72) Inventors: **Hyung Ick Kim**, Fullerton, CA (US);  
**Sung Yong Kim**, Seoul (KR)
- (73) Assignee: **TRUABUTMENT KOREA, INC.**,  
Bucheon-si (KR)
- (\*\*) Term: **15 Years**
- (21) Appl. No.: **29/579,736**
- (22) Filed: **Oct. 3, 2016**

6,024,567 A *	2/2000	Callan	.....	A61C 8/0048
				433/173
D441,448 S *	5/2001	Kumar	.....	D24/156
D486,914 S *	2/2004	Schulter	.....	D24/156
D493,535 S *	7/2004	Whitehead	.....	D24/156
D507,052 S *	7/2005	Wohrle	.....	D24/156
D511,833 S *	11/2005	Wohrle	.....	D24/156
D528,210 S *	9/2006	Boettcher	.....	D24/156
D567,947 S *	4/2008	Lerner	.....	D24/156
D580,059 S *	11/2008	Boettcher	.....	D24/156
D587,373 S *	2/2009	Purga	.....	D24/156
D611,603 S *	3/2010	Noguchi	.....	D24/156
D611,604 S *	3/2010	Aoyagi	.....	D24/156
D616,097 S *	5/2010	Johnson	.....	D24/156
D652,929 S *	1/2012	Sibhatu	.....	D24/156
D663,032 S *	7/2012	Mashio	.....	D24/156
D663,419 S *	7/2012	Mashio	.....	D24/156
D667,955 S *	9/2012	Spahn	.....	D24/156

\* cited by examiner

(30) **Foreign Application Priority Data**

Apr. 5, 2016 (KR) ..... 30-2016-0015881

(51) **LOC (11) Cl.** ..... **24-02**

(52) **U.S. Cl.**  
USPC ..... **D24/156**

(58) **Field of Classification Search**  
USPC ..... D24/155-157  
CPC ..... A61C 8/00; A61C 8/0089; A61C 8/0069;  
A61C 8/0054; A61C 8/0096; A61C  
8/0039; A61C 8/0063; A61C 8/006; A61C  
8/0001; A61C 8/0012; A61C 8/0075;  
A61C 8/0083; A61C 13/225  
See application file for complete search history.

(56) **References Cited**

**U.S. PATENT DOCUMENTS**

D356,869 S *	3/1995	Holmen	.....	D24/156
D362,720 S *	9/1995	Holmen	.....	D24/155
5,674,069 A *	10/1997	Osorio	.....	A61C 8/005
				433/172
5,779,480 A *	7/1998	Groll	.....	A61C 8/005
				433/172

*Primary Examiner* — Charles D Hanson

(74) *Attorney, Agent, or Firm* — Moser Taboada

(57) **CLAIM**

The ornamental design for a scan post for dental implant, substantially as shown and described.

**DESCRIPTION**

FIG. 1 is a front perspective view of a scan post for dental implant.

FIG. 2 is a front view thereof.

FIG. 3 is a rear view thereof.

FIG. 4 is a left side view thereof.

FIG. 5 is a right side view thereof.

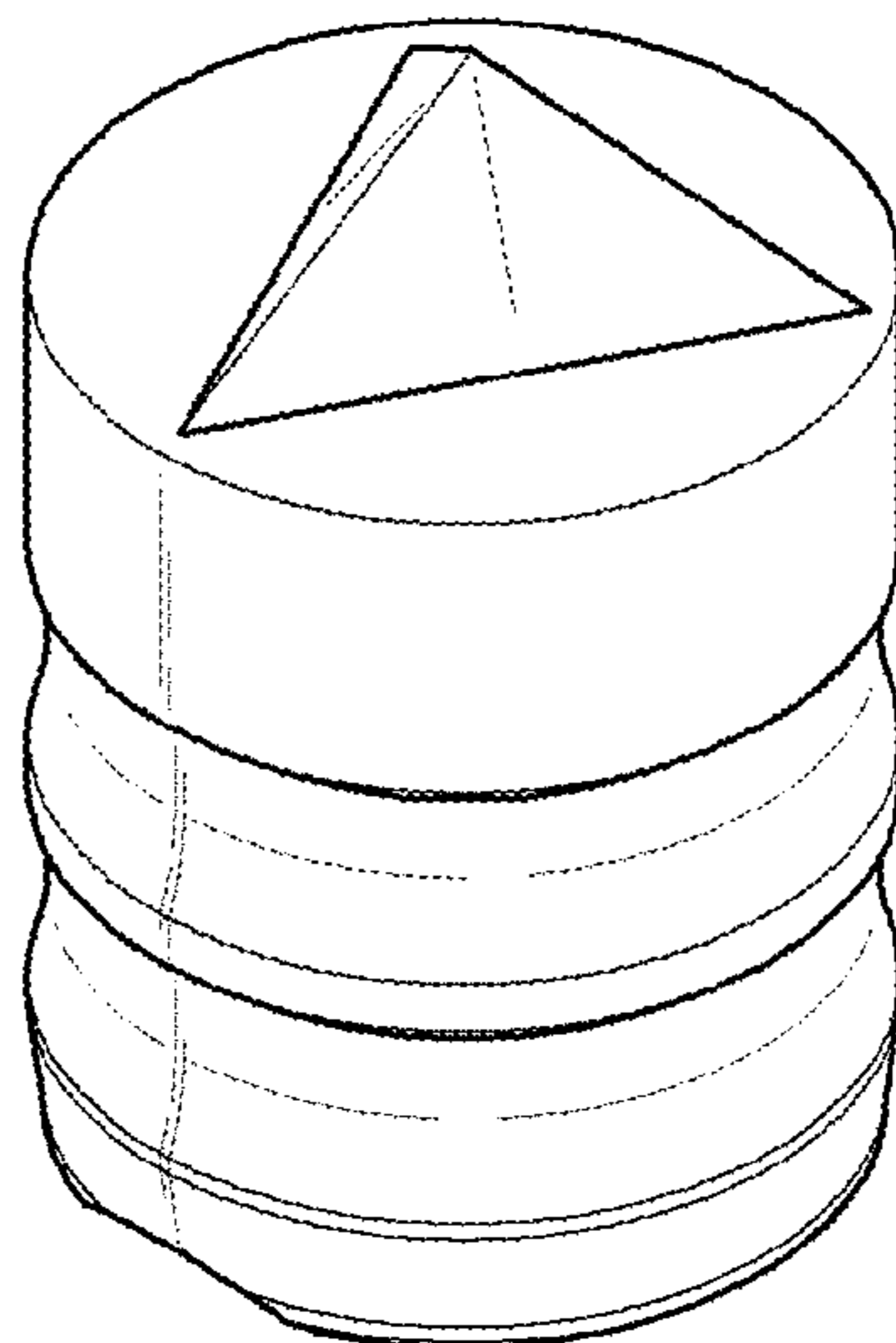
FIG. 6 is a top view thereof.

FIG. 7 is a bottom view thereof.

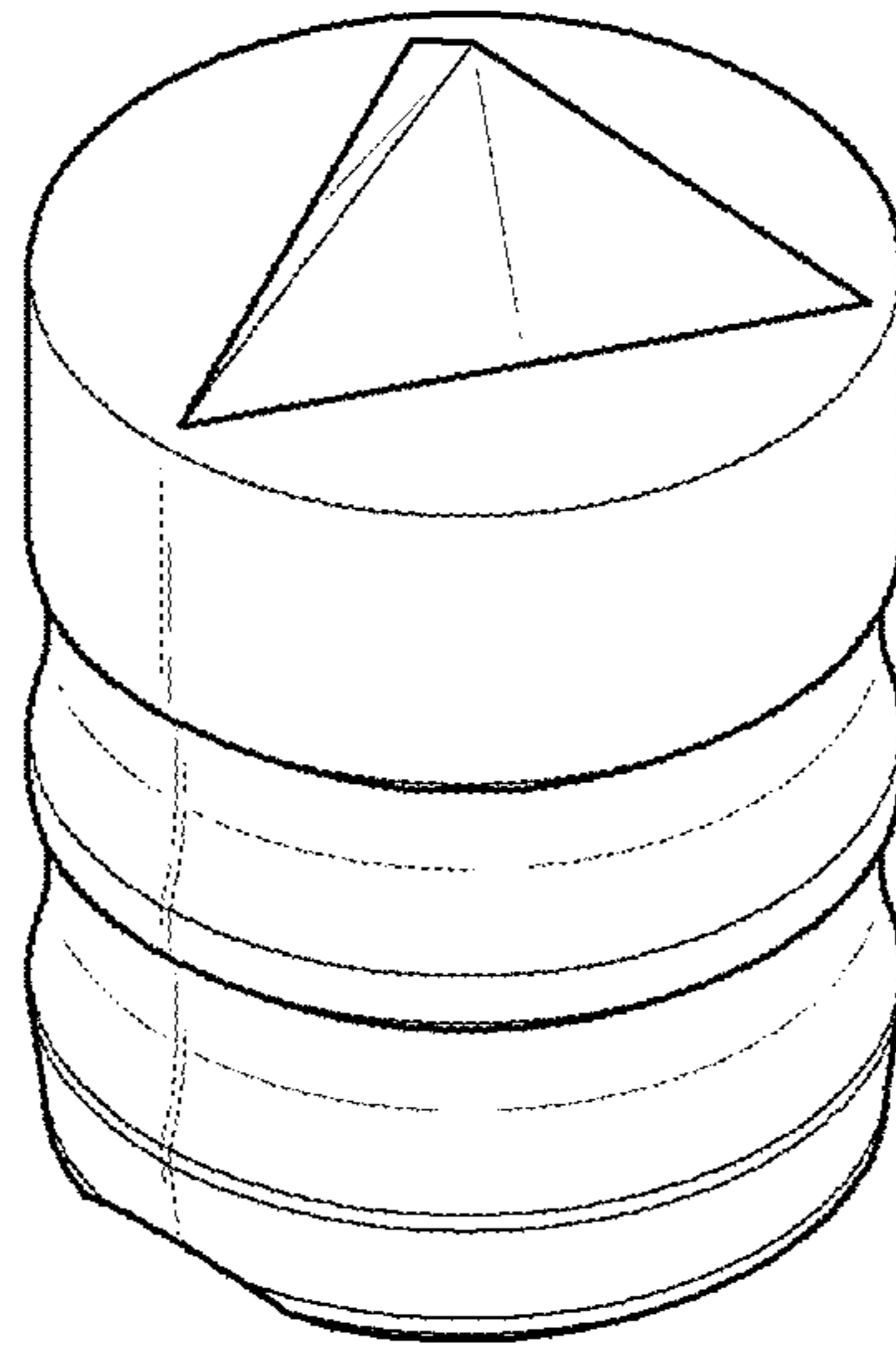
FIG. 8 is a rear perspective view thereof; and,

FIG. 9 is a cross-sectional view according to an A-A line of FIG. 2.

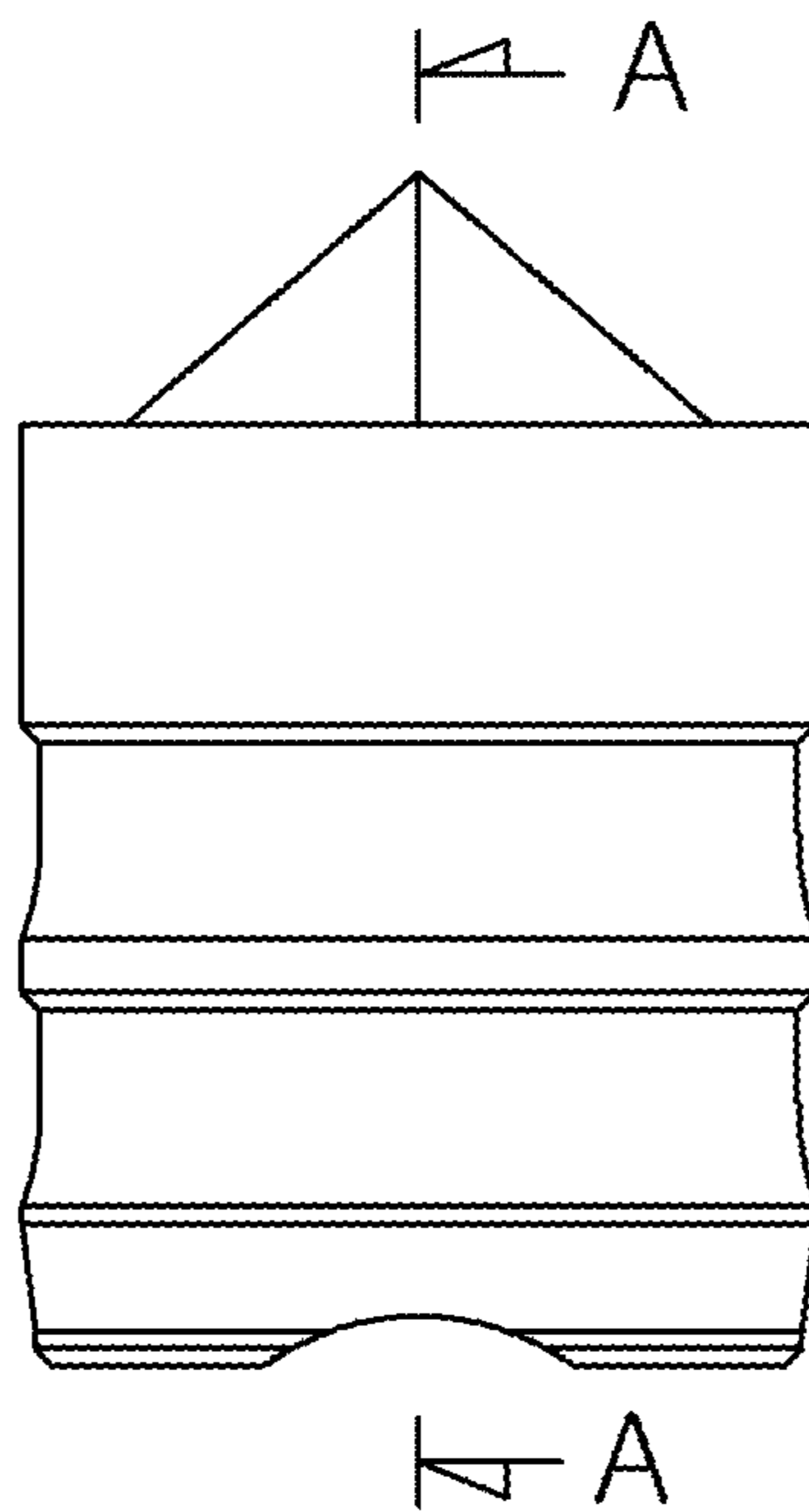
**1 Claim, 5 Drawing Sheets**



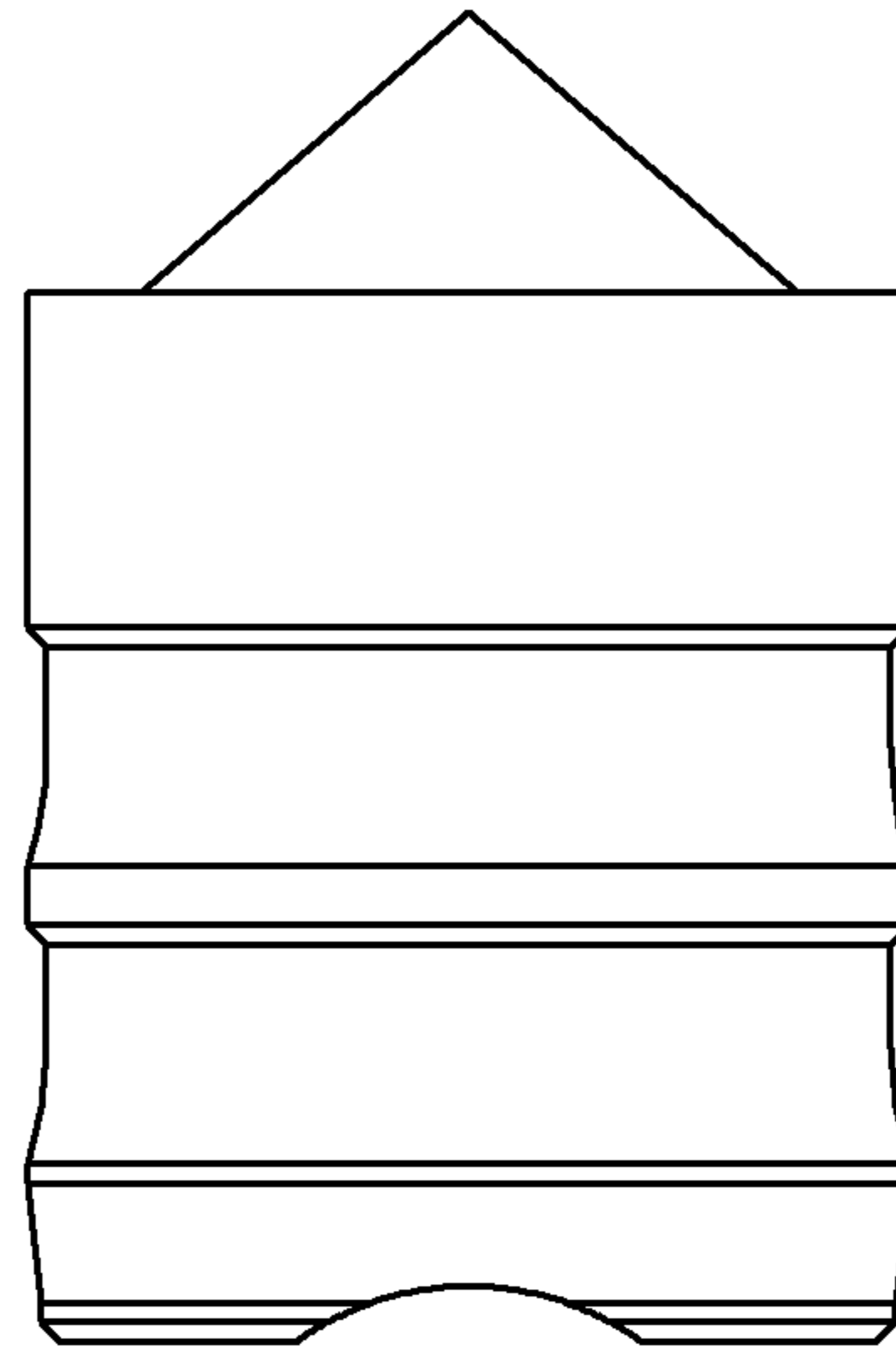
【FIG. 1】



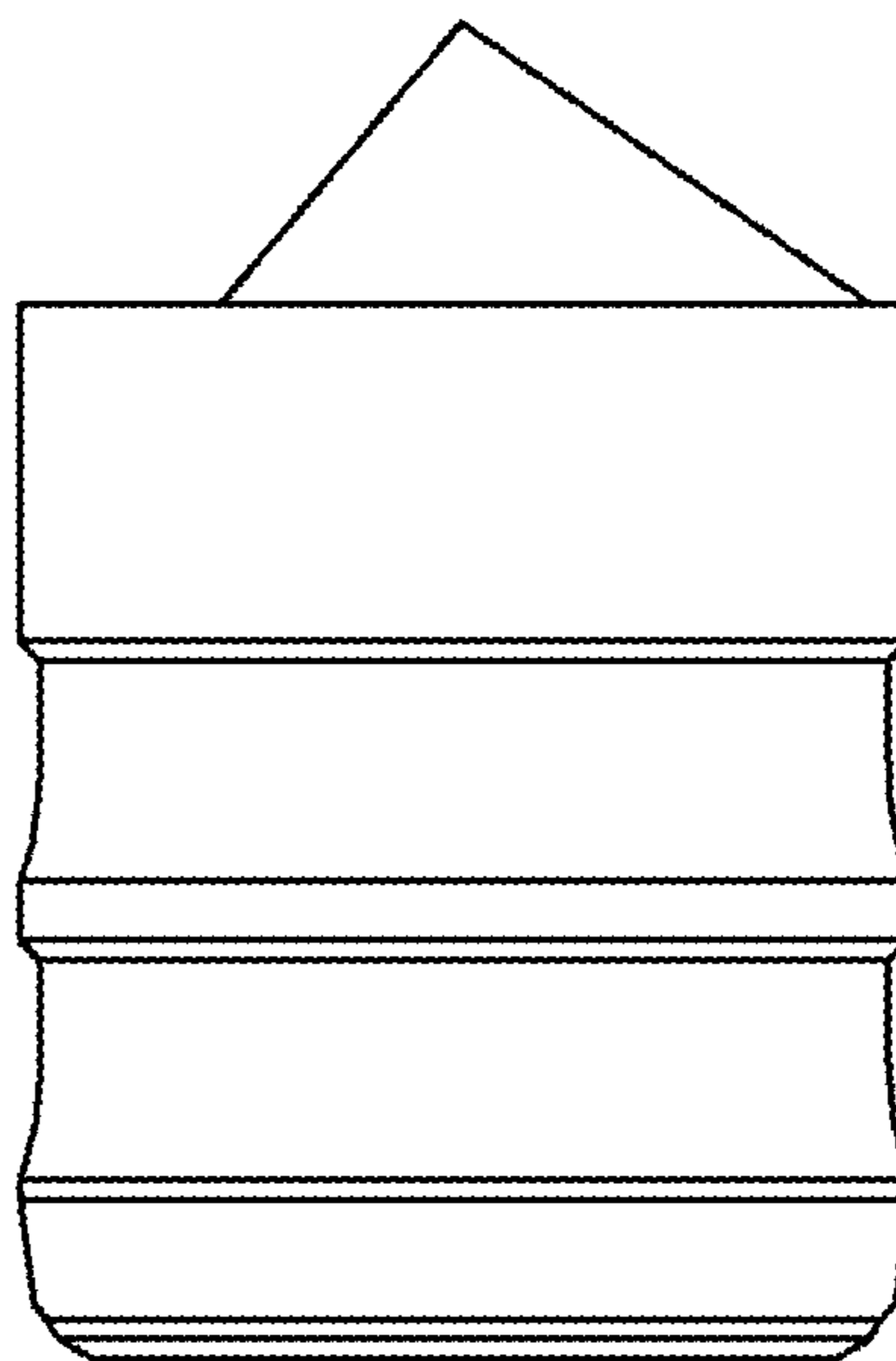
【FIG. 2】



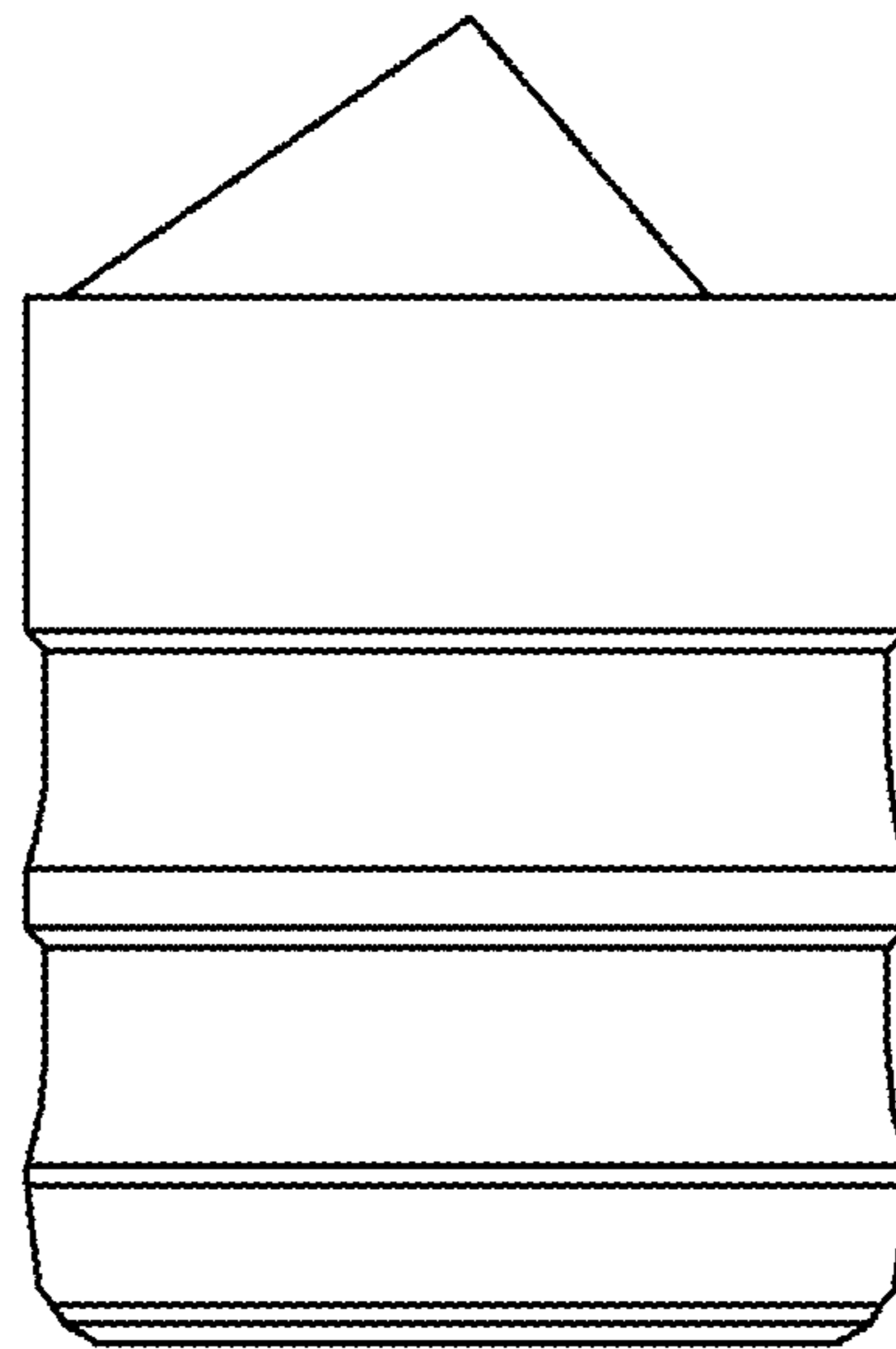
【FIG. 3】



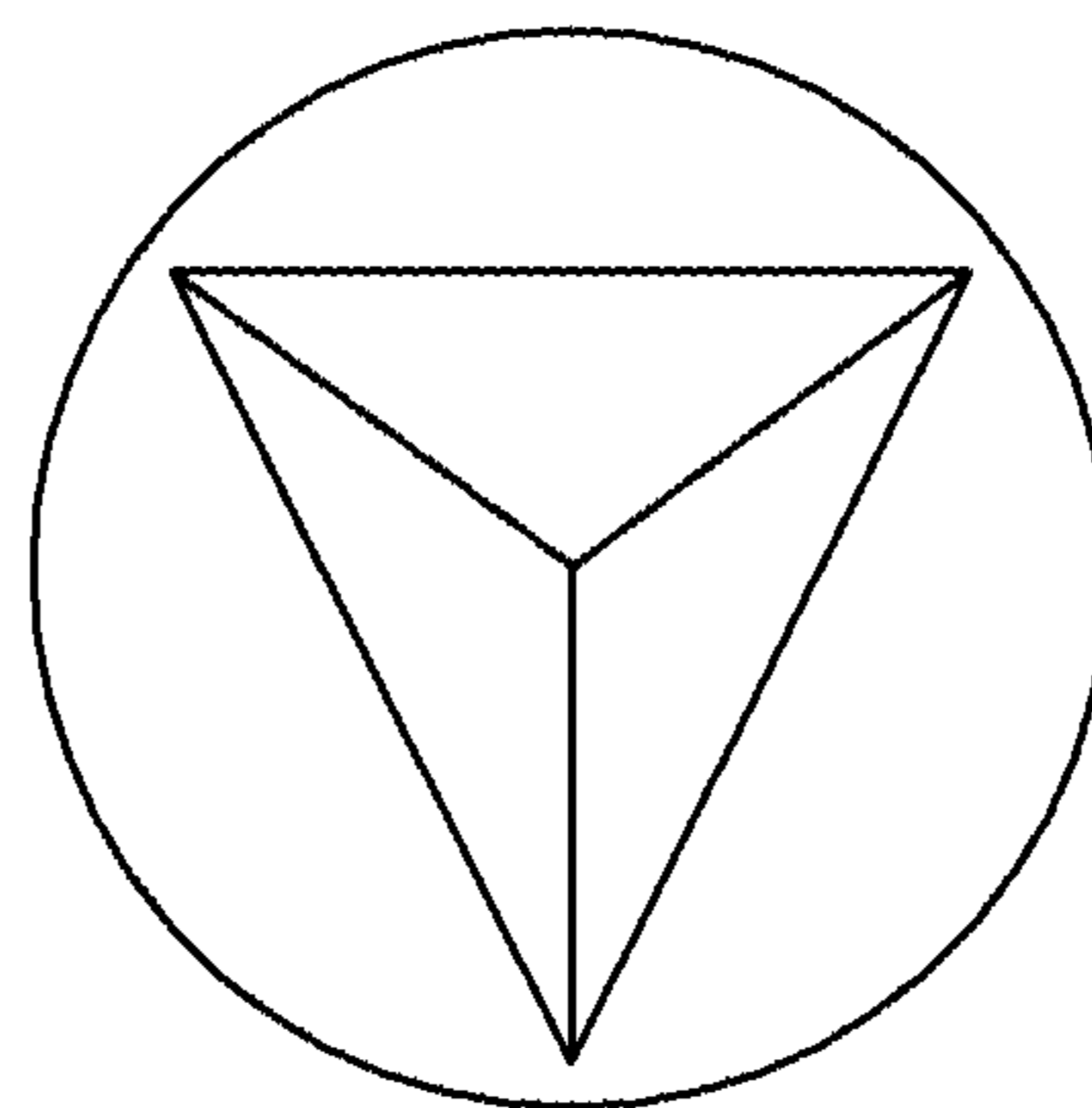
【FIG. 4】



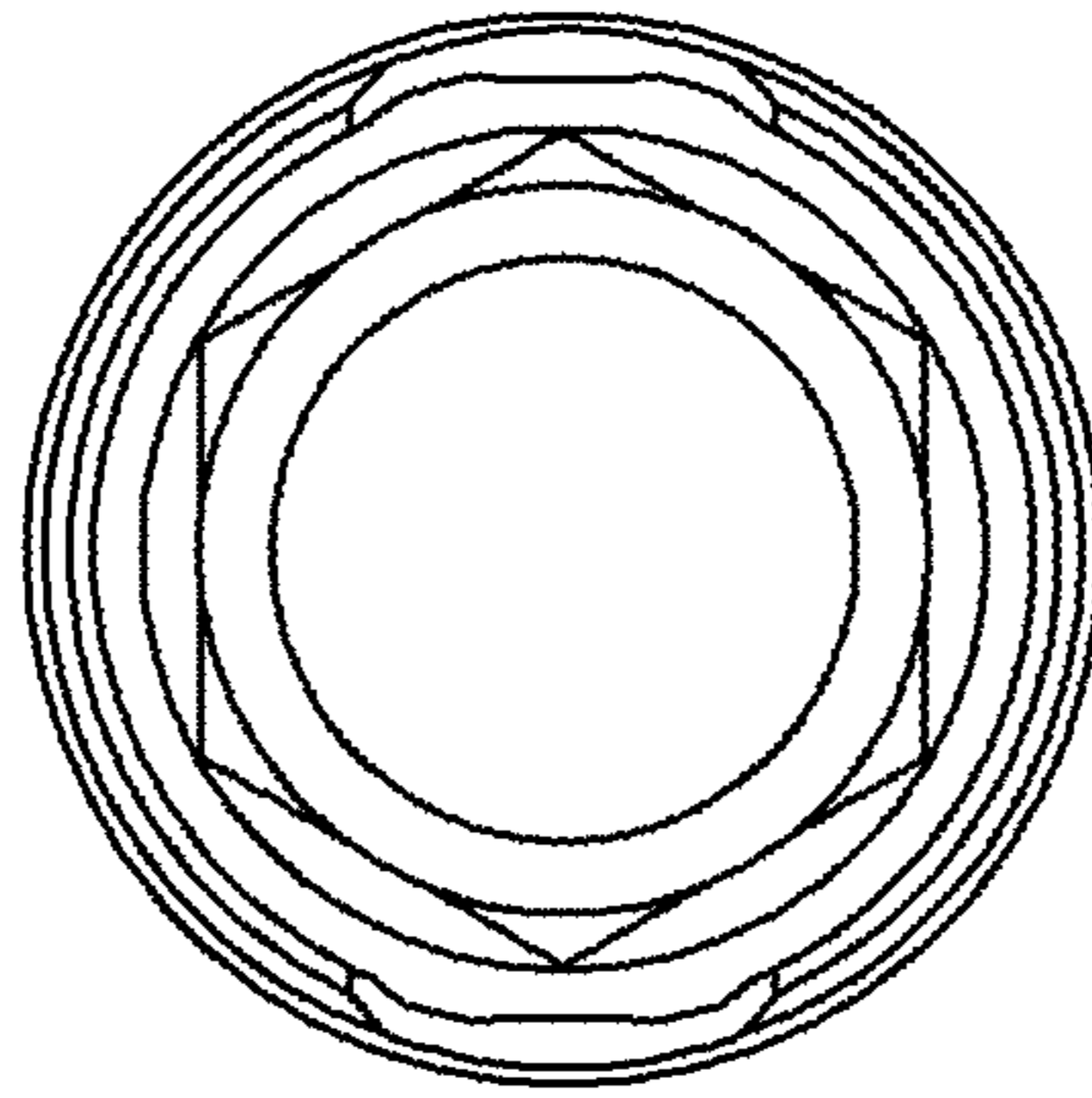
【FIG. 5】



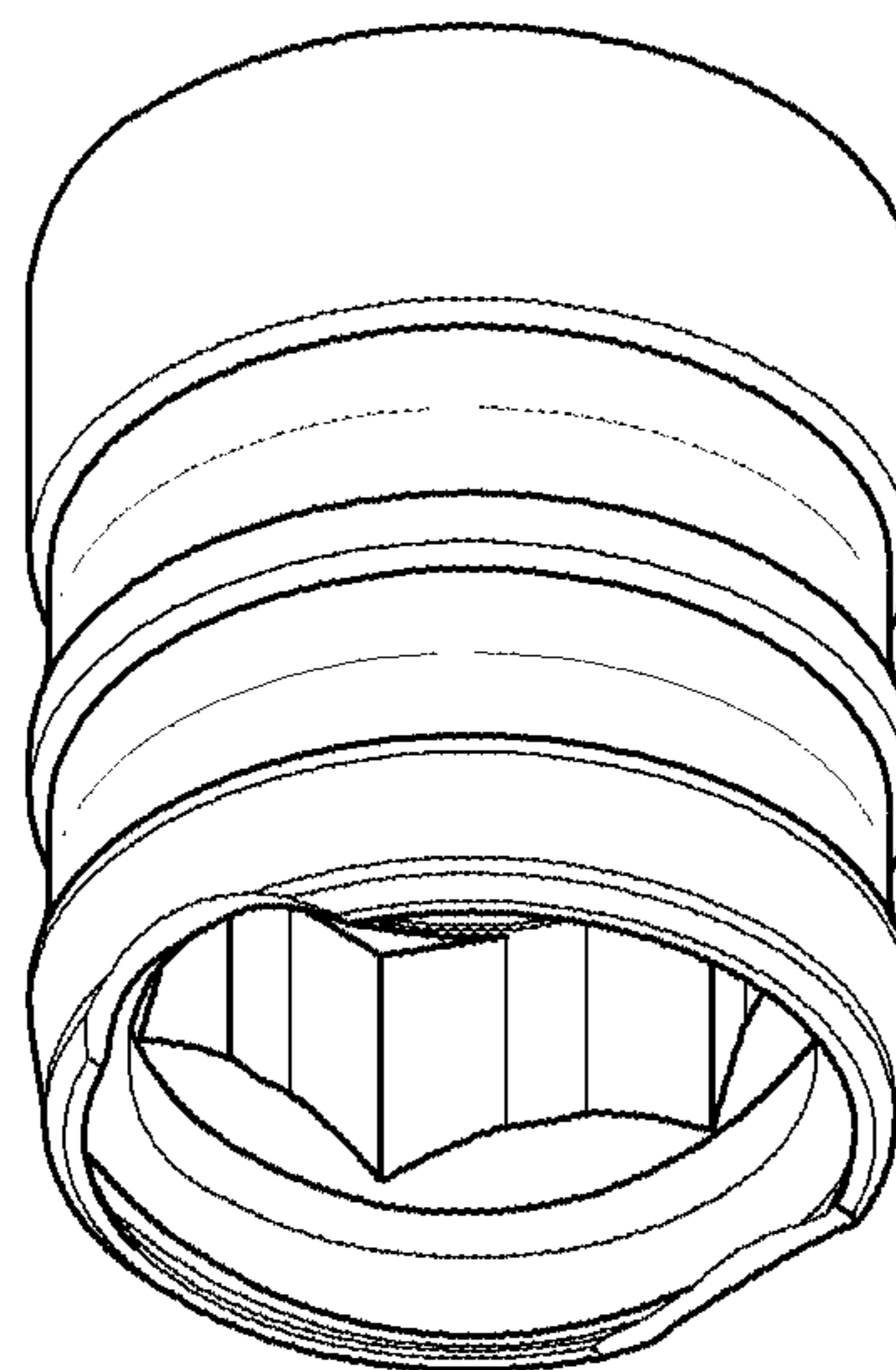
【FIG. 6】



【FIG. 7】



【FIG. 8】



【FIG. 9】

