



US00D806875S

(12) **United States Design Patent**
de Quincey et al.

(10) **Patent No.:** **US D806,875 S**
(45) **Date of Patent:** **** Jan. 2, 2018**

(54) **BONE MILL**

- (71) Applicant: **HU-FRIEDY MFG. CO., LLC**,
Chicago, IL (US)
- (72) Inventors: **Giles Nicholas Thomas de Quincey**,
Rosmalen (NL); **Dane Parker**, Chicago,
IL (US); **Andrew Xilas**, Highland Park,
IL (US)
- (73) Assignee: **HU-FRIEDY MFG. CO., LLC**,
Chicago, IL (US)
- (**) Term: **15 Years**

- (21) Appl. No.: **29/571,889**
- (22) Filed: **Jul. 22, 2016**
- (51) **LOC (11) Cl.** **24-02**
- (52) **U.S. Cl.**
USPC **D24/152**
- (58) **Field of Classification Search**
USPC D24/152-154, 143, 156; D8/52, 56
CPC B25B 27/205; A61C 3/00; A61C 3/14; A61C
3/16; A61C 3/162; A61C 8/0089; A61C
5/82; A61C 7/02; A61C 7/04
See application file for complete search history.

(56) **References Cited**

U.S. PATENT DOCUMENTS

354,863	A *	12/1886	Hughes	A61C 3/14 433/160
3,755,902	A *	9/1973	Northcutt	A61C 3/16 156/763
D596,293	S *	7/2009	Gao	D24/152
D734,852	S *	7/2015	Lim	D24/153
2005/0260538	A1 *	11/2005	Muller	A61C 3/16 433/159
2014/0234799	A1 *	8/2014	Lim	A61C 3/162 433/159

OTHER PUBLICATIONS

Bone mill Titianimu. [Retrieved on May 31, 2017]. Retrieved from the Internet: <URL: www.Google.com/images>.*
Bone Crusher Morselizer Bone Mill Grafting Implant Tools Dental Implants ZANGE. Sep. 22, 2016. [Retrieved on May 31, 2017]. Retrieved from the Internet: <URL: www.Google.com/images>.*

* cited by examiner

Primary Examiner — Wan Laymon
(74) *Attorney, Agent, or Firm* — Marshall, Gerstein & Borun LLP

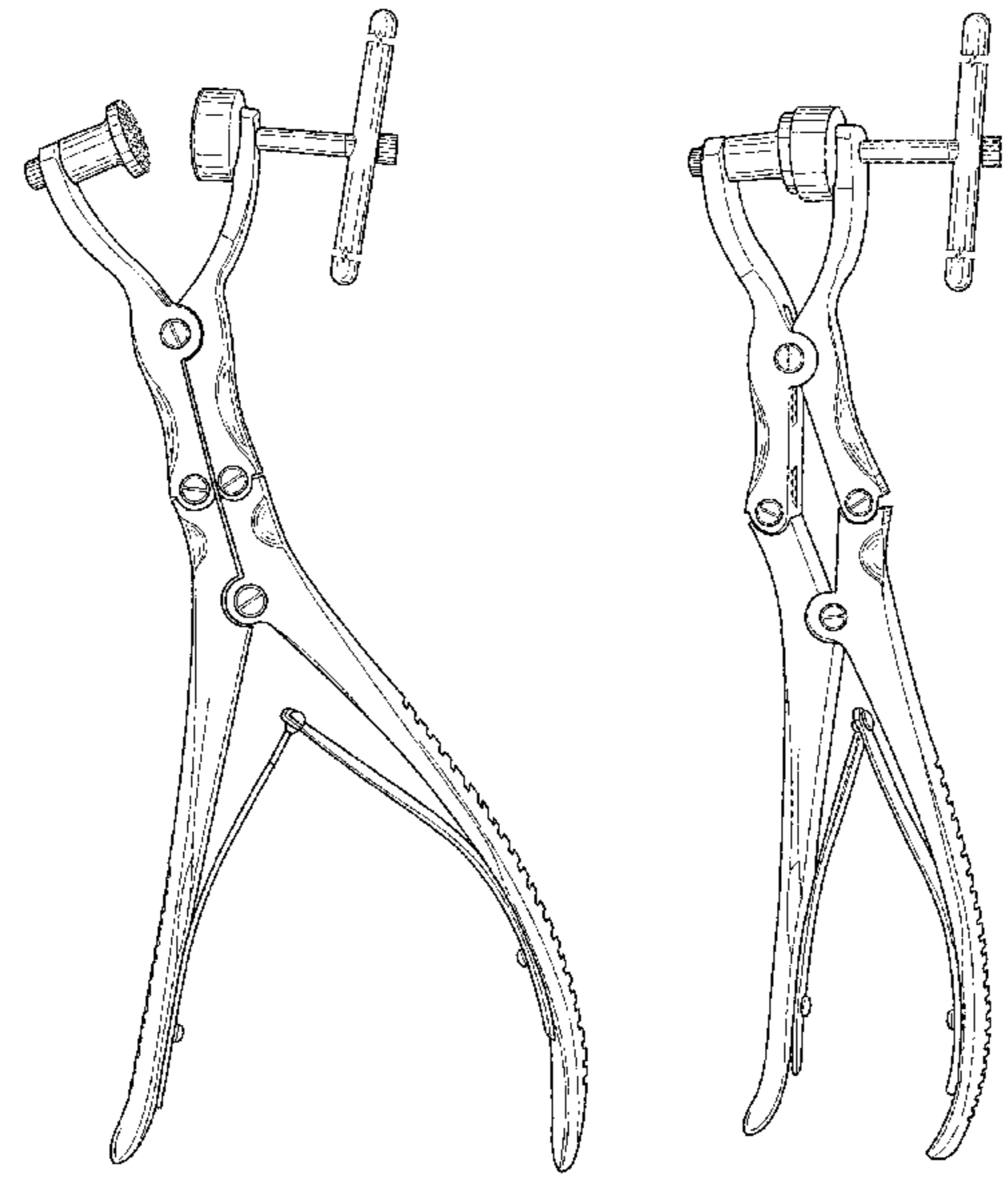
(57) **CLAIM**

The ornamental design for a bone mill, as shown and described.

DESCRIPTION

FIG. 1 is a front perspective view of a bone mill of the present invention;
FIG. 2 is a front plan view of the invention illustrated in FIG. 1;
FIG. 3 is a left side view of the invention illustrated in FIG. 1;
FIG. 4 is a rear plan view of the invention illustrated in FIG. 1;
FIG. 5 is a right side view of the invention illustrated in FIG. 1;
FIG. 6 is a top view of the invention illustrated in FIG. 1;
FIG. 7 is a bottom view of the invention illustrated in FIG. 1; and,
FIG. 8 is a front perspective of the invention illustrated in FIG. 1 in another position.
The broken away symbols in the drawings indicate the appearance of any portion of the article between the break lines forms no part of the claimed design.

1 Claim, 7 Drawing Sheets



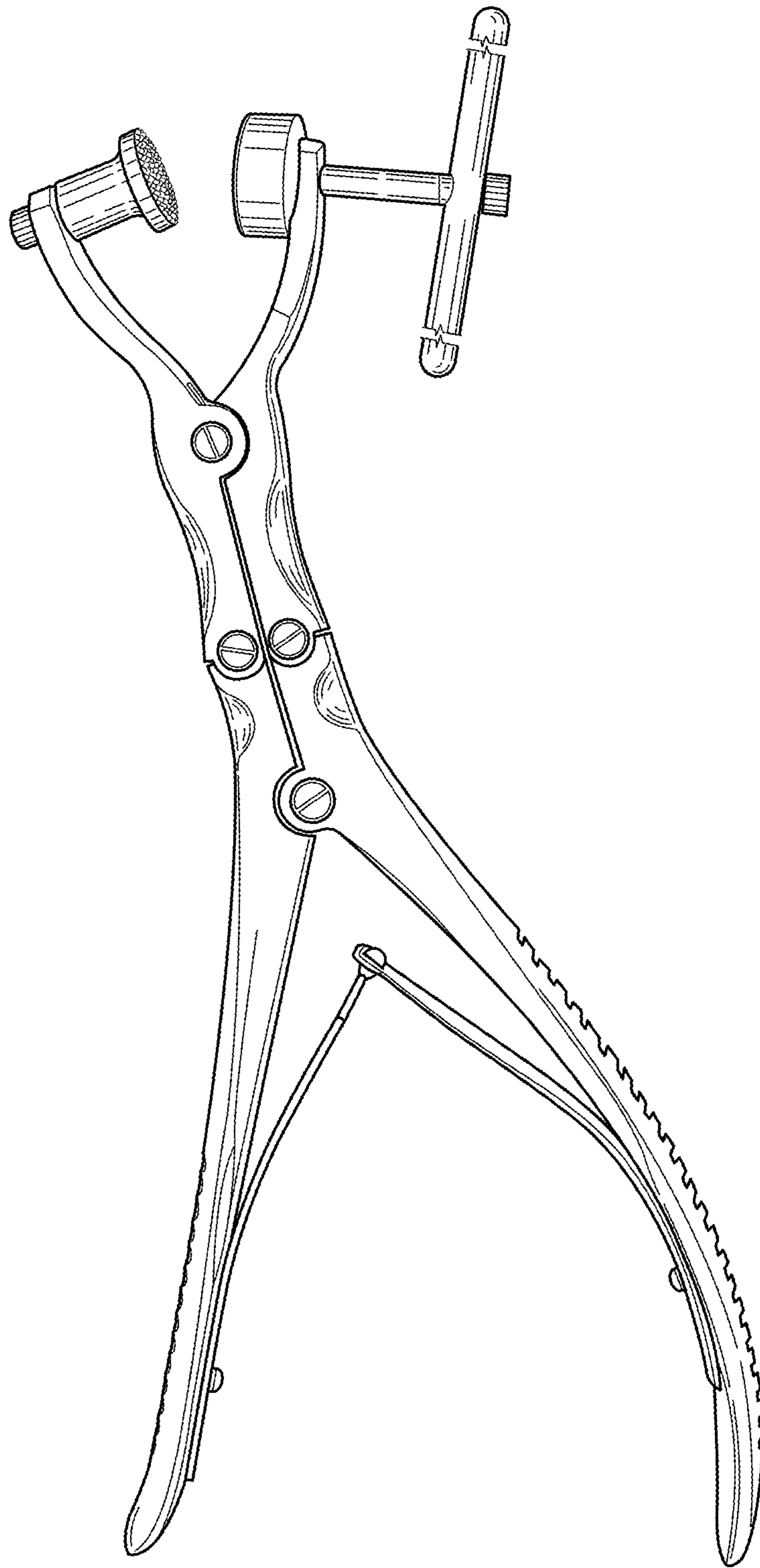


FIG. 1

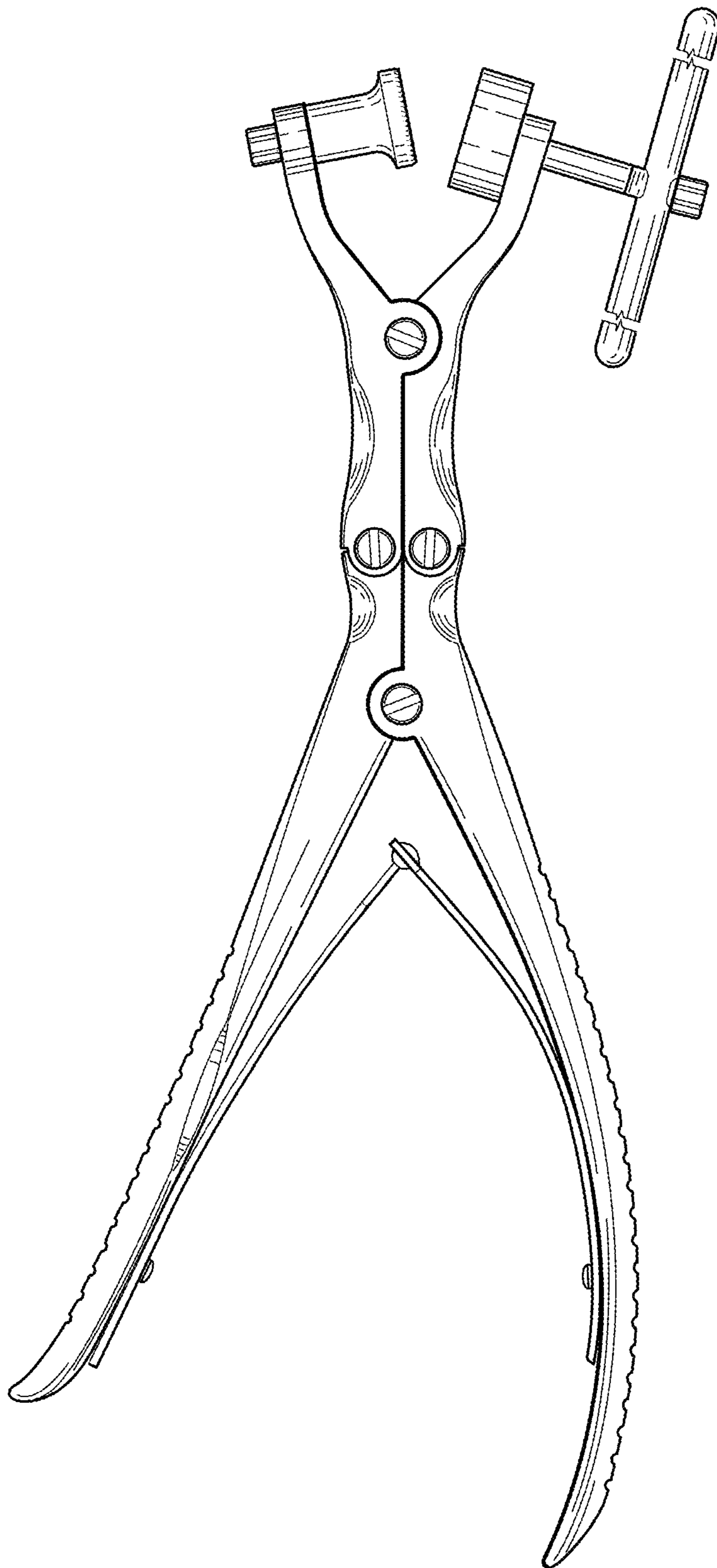


FIG. 2

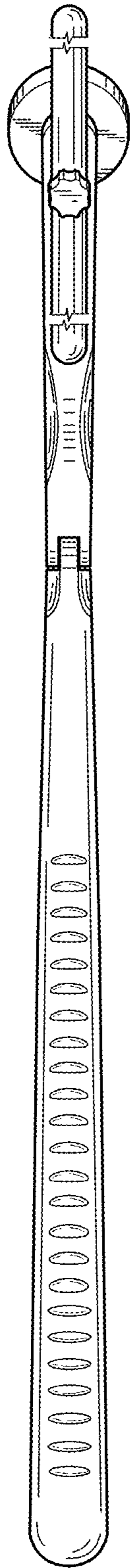


FIG. 3

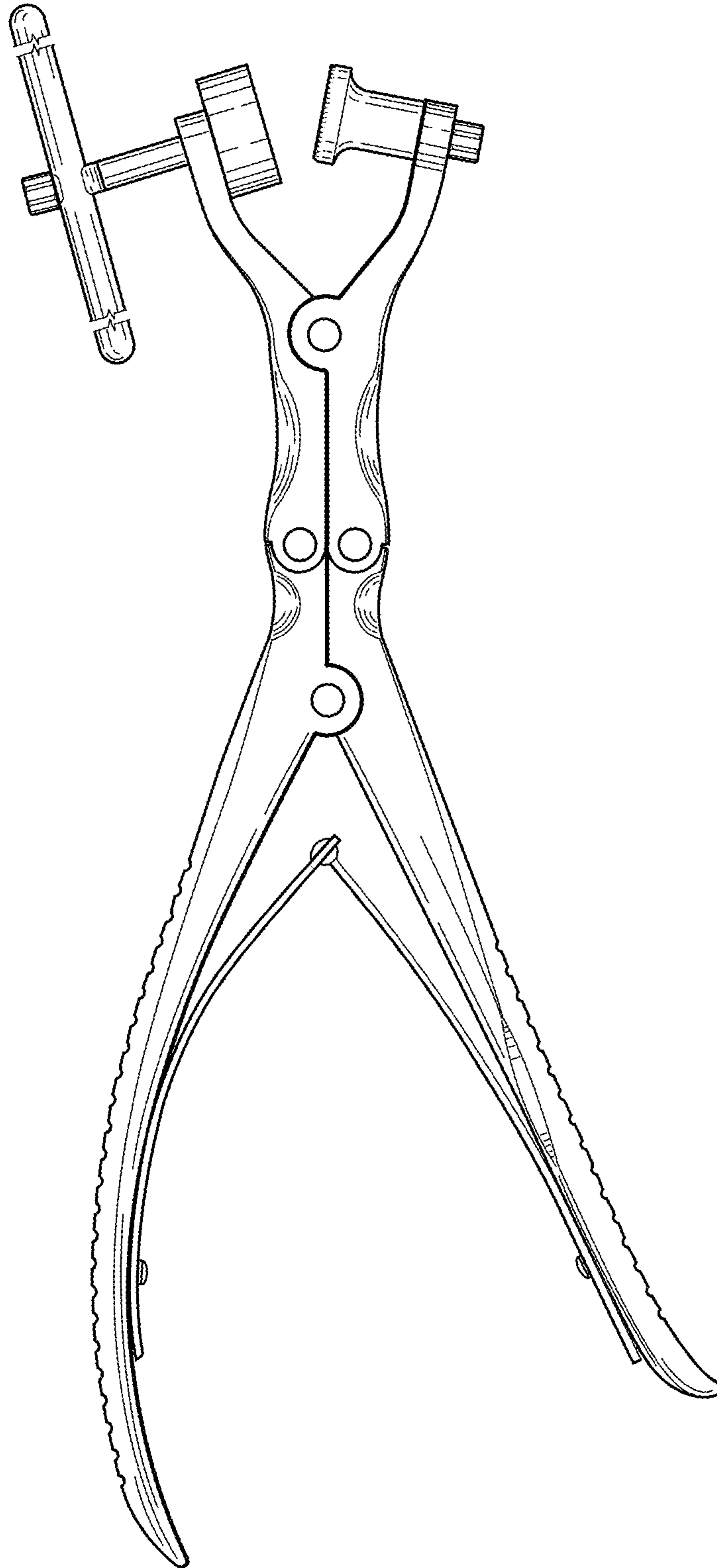


FIG. 4

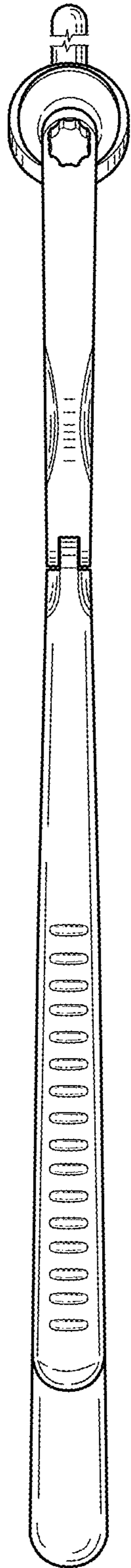


FIG. 5

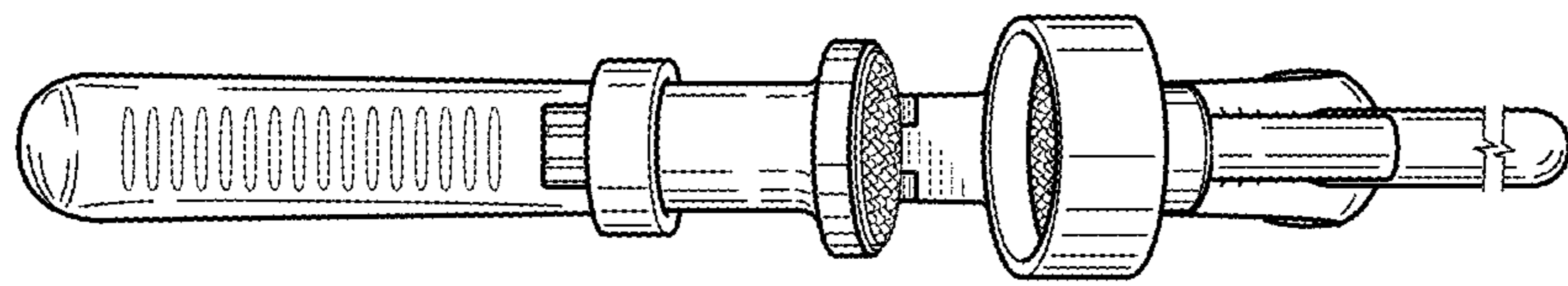


FIG. 6

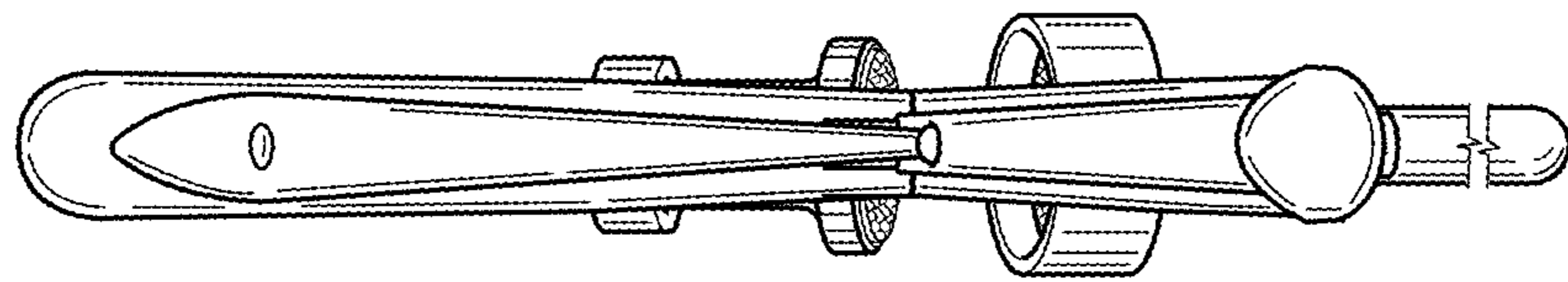


FIG. 7

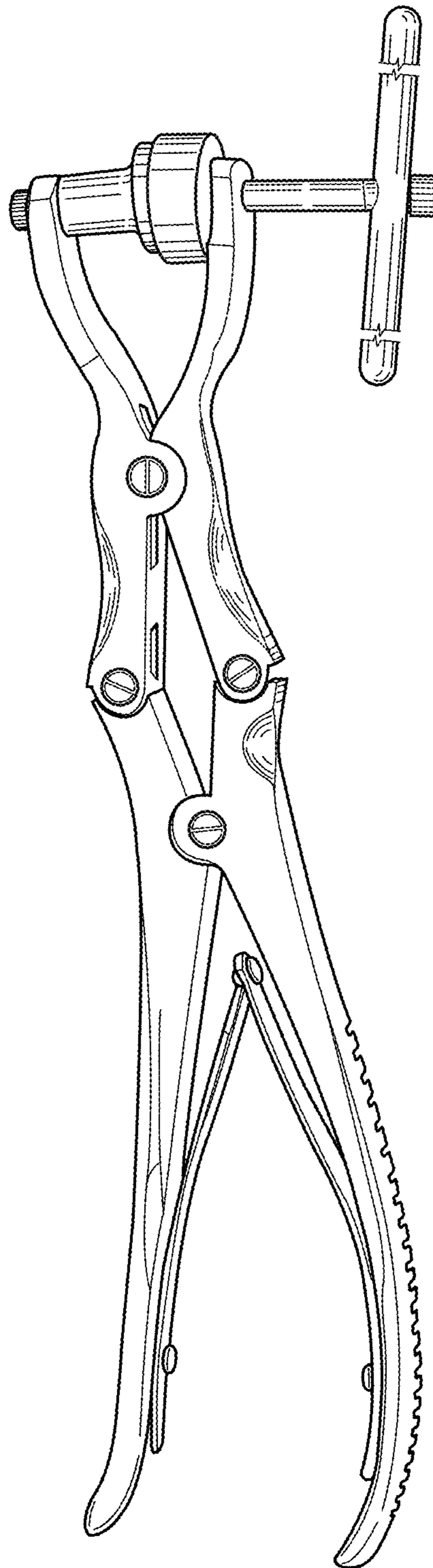


FIG. 8