



US00D806874S

(12) **United States Design Patent**
Hoffmann et al.

(10) **Patent No.:** **US D806,874 S**
(45) **Date of Patent:** **** Jan. 2, 2018**

(54) **OPTICAL DISSECTOR**

(71) Applicant: **KARL STORZ GmbH & Co. KG**,
Tuttlingen (DE)

(72) Inventors: **Reimer Hoffmann**, Oldenburg (DE);
Andreas Probst, Tuttlingen (DE); **Felix
Teufel**, Tuttlingen (DE)

(73) Assignee: **KARL STORZ GmbH & Co. KG**,
Tuttlingen (DE)

(**) Term: **15 Years**

(21) Appl. No.: **29/575,433**

(22) Filed: **Aug. 25, 2016**

(30) **Foreign Application Priority Data**

Feb. 25, 2016 (EM) 003002260-0001

(51) **LOC (11) Cl.** **24-02**

(52) **U.S. Cl.**
USPC **D24/146**

(58) **Field of Classification Search**
USPC D24/146, 147, 127, 130, 133, 137, 138,
D24/141, 144, 148; 606/180, 167;
604/22

CPC A61B 17/32; A61B 18/20; A61B
2018/00577; A61B 5/0059

See application file for complete search history.

(56) **References Cited**

U.S. PATENT DOCUMENTS

D342,999 S * 1/1994 Gonsalves, Jr. D24/147
D391,370 S * 2/1998 Cho D24/147
D438,305 S * 2/2001 Ripich D24/147
D546,948 S * 7/2007 Huttner D24/133
D603,046 S * 10/2009 Frey D24/133
D604,842 S * 11/2009 Bisleri D24/108

D612,049 S * 3/2010 Baynham D24/133
D637,290 S * 5/2011 Schwoy D24/146
D749,730 S * 2/2016 Dietz D24/146
D771,813 S * 11/2016 Ripich D24/146
D776,276 S * 1/2017 Witt D24/146

OTHER PUBLICATIONS

Dr. Reimer Hoffmann, "Endoscopic Treatment of Cubital Tunnel Syndrome (Sulcus Ulnaris Syndrome)", Endoworld, Art 49 3.0, pp. 1-16 (Mar. 2015) with English translation.

* cited by examiner

Primary Examiner — Thomas Johannes

Assistant Examiner — Samantha Q. Lawrence

(74) *Attorney, Agent, or Firm* — Muncy, Geissler, Olds & Lowe, P.C.

(57) **CLAIM**

The ornamental design for an optical dissector, as shown and described.

DESCRIPTION

FIG. 1 is a front perspective view of an optical dissector according to the present invention.

FIG. 2 is a front view of the optical dissector of FIG. 1.

FIG. 3 is a rear view of the optical dissector of FIG. 1.

FIG. 4 is a left side view of the optical dissector of FIG. 1.

FIG. 5 is a right side view of the optical dissector of FIG. 1.

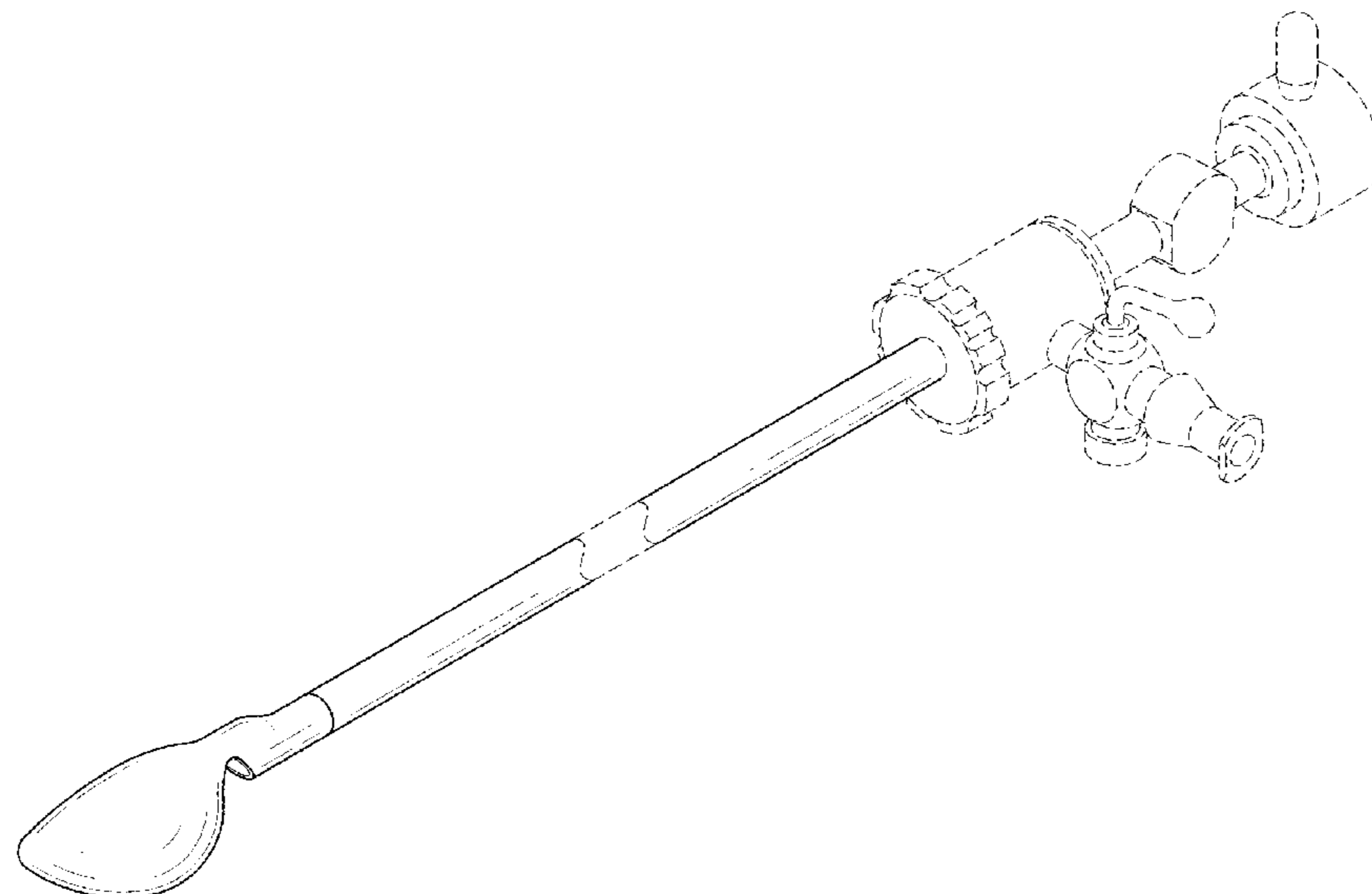
FIG. 6 is a top view of the optical dissector of FIG. 1; and,

FIG. 7 is a bottom view of the optical dissector of FIG. 1.

The broken lines shown in FIGS. 1-7 illustrate portions of the optical dissector that form no part of the claimed design.

The optical dissector is shown with a symbolic break in its length. The appearance of any portion of the article between the break lines forms no part of the claimed design.

1 Claim, 6 Drawing Sheets



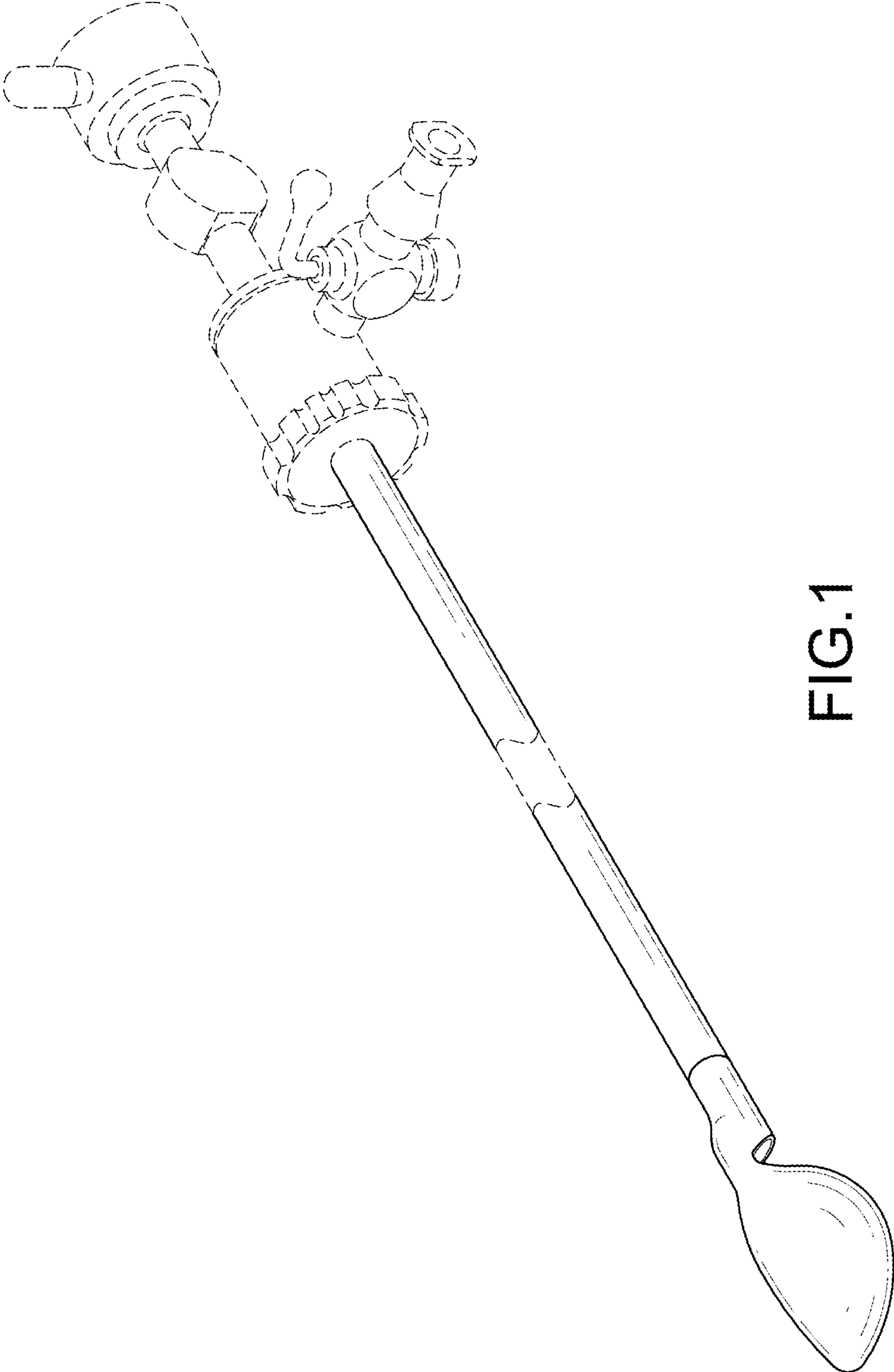


FIG.1

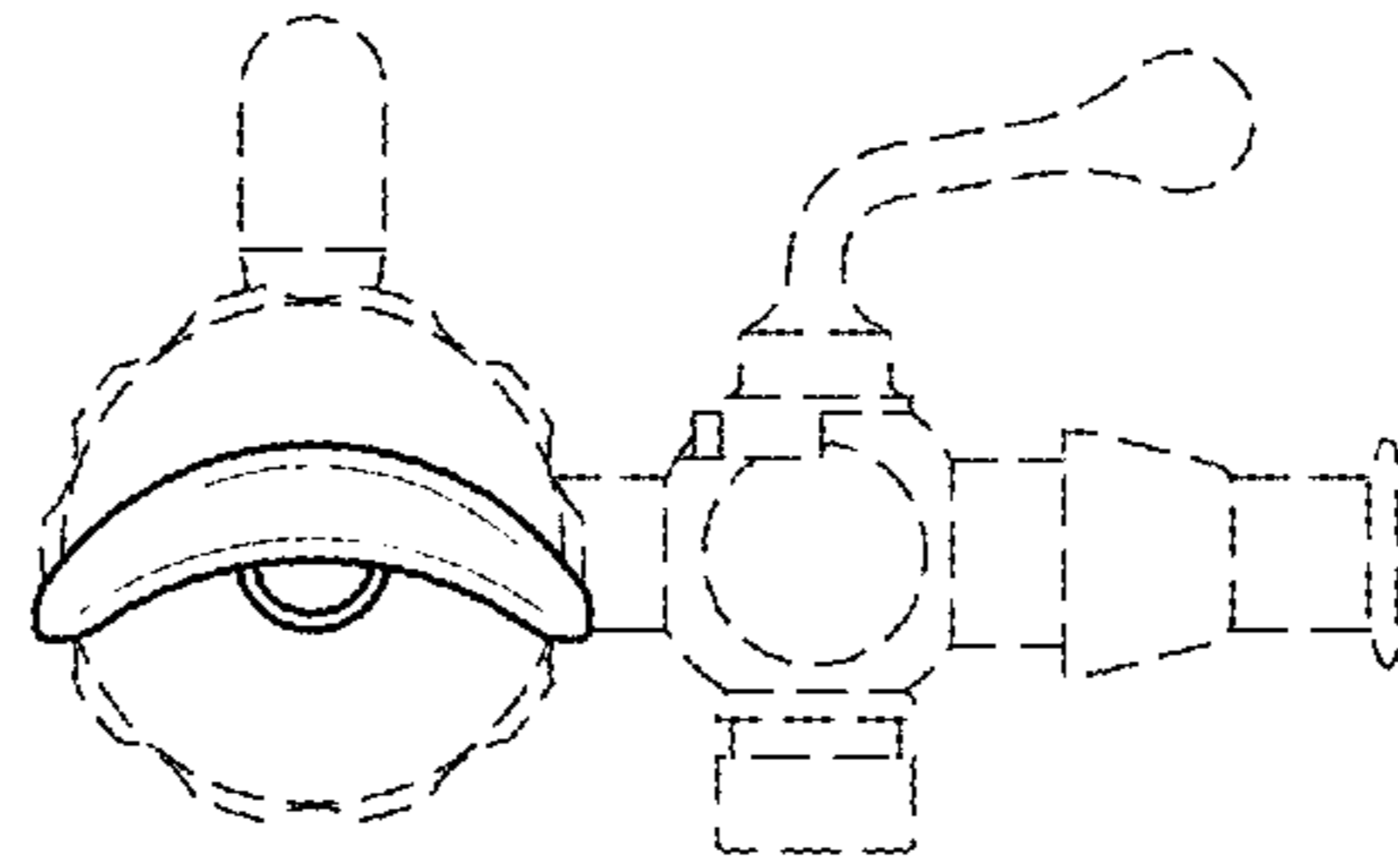


FIG. 2

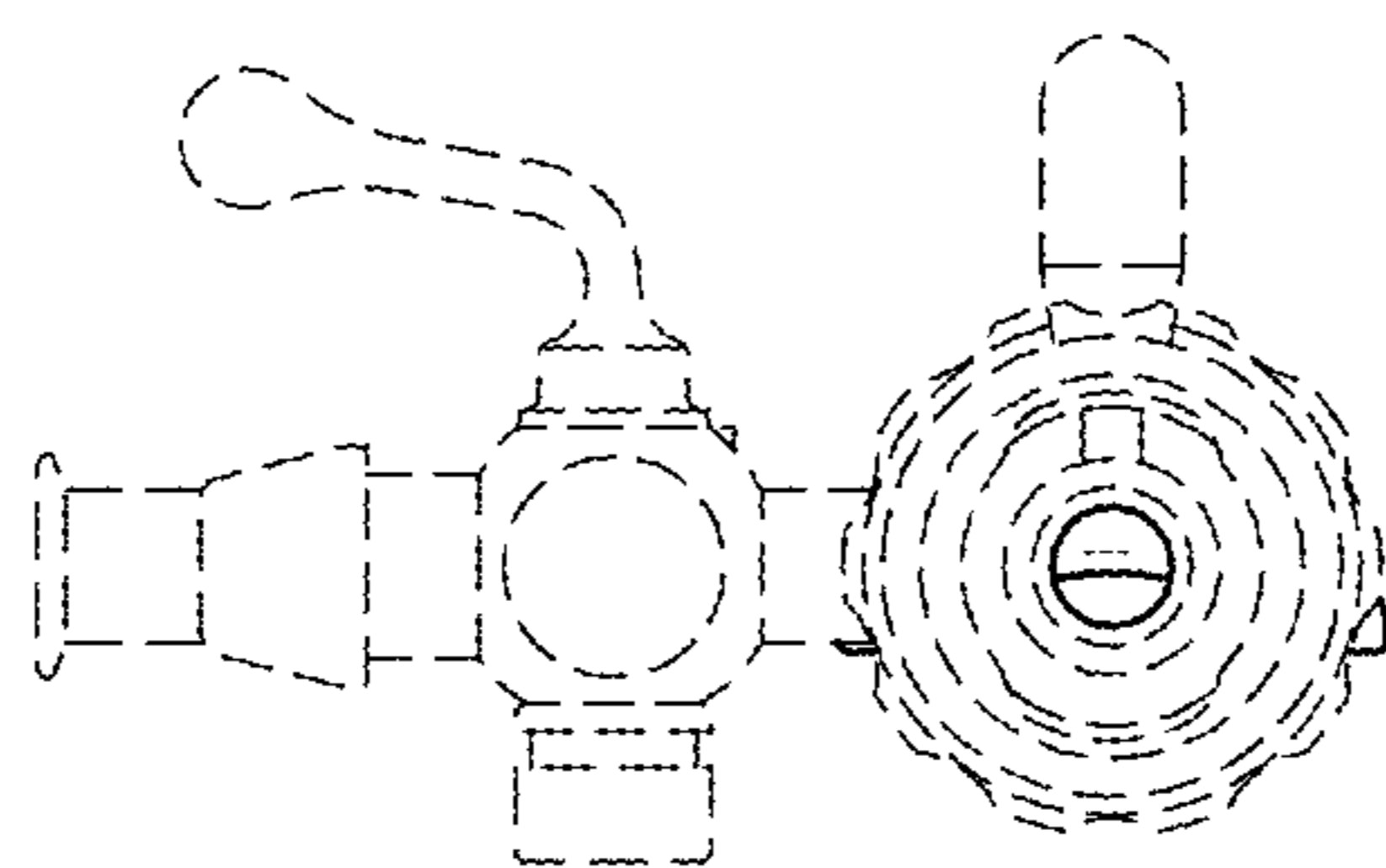


FIG. 3

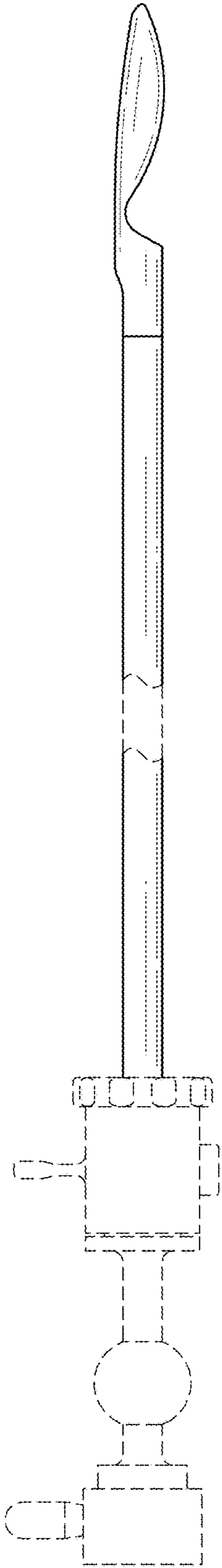


FIG.4

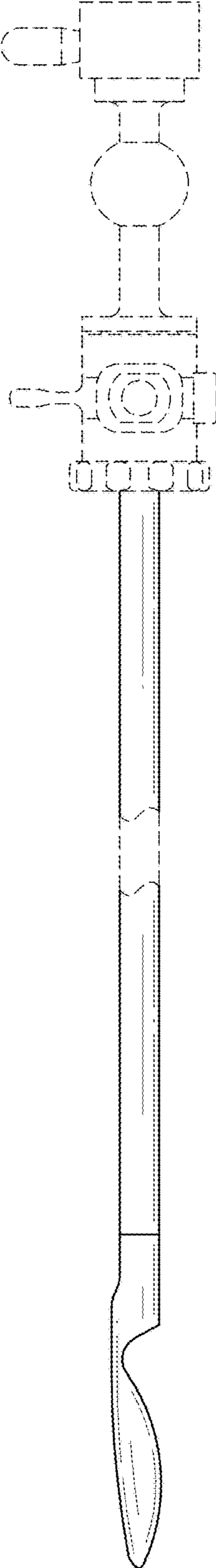


FIG.5

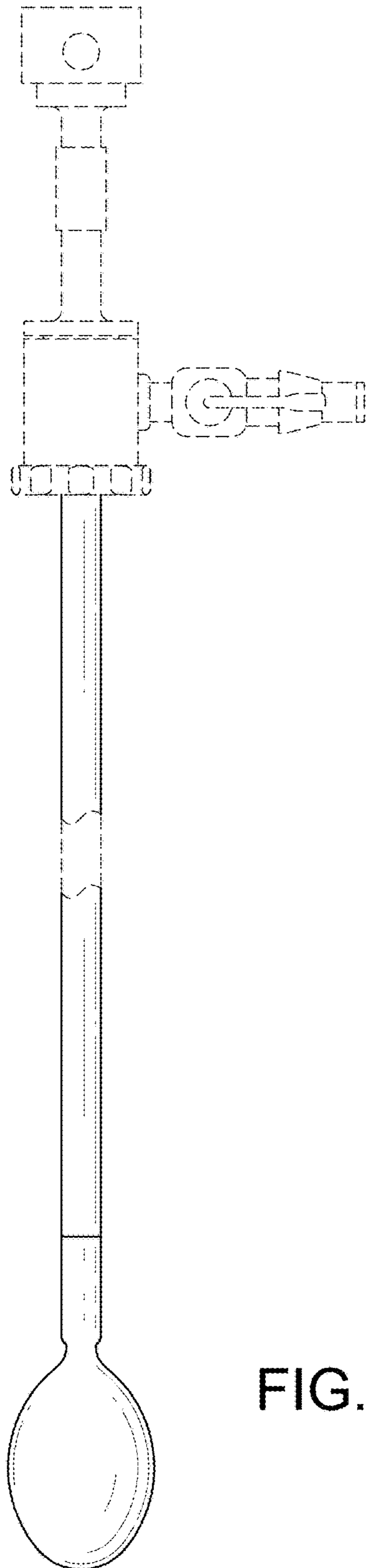


FIG. 6

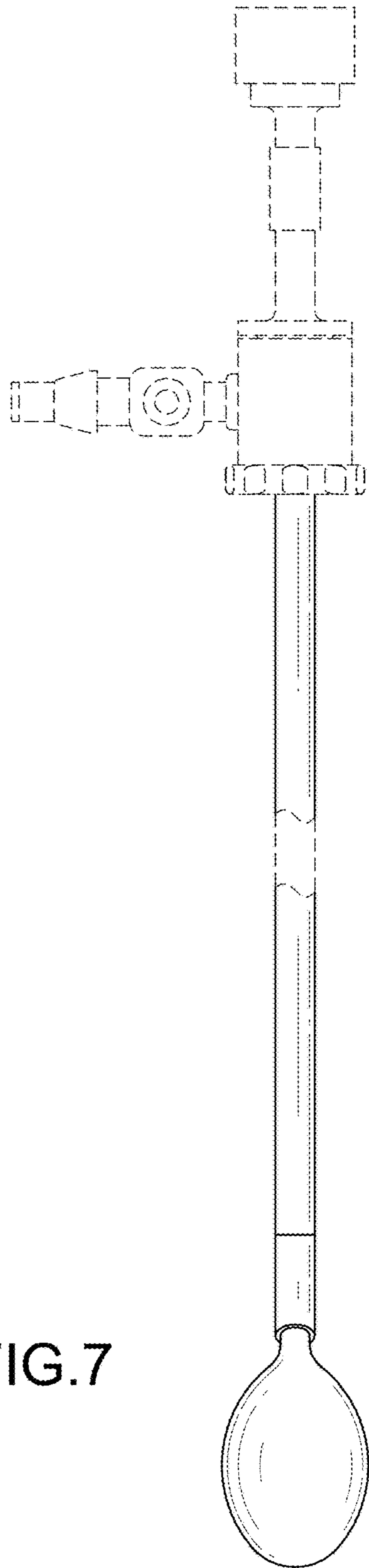


FIG.7