

US00D806864S

(12) **United States Design Patent** (10) **Patent No.:** **US D806,864 S**  
**Shi** (45) **Date of Patent:** **\*\* Jan. 2, 2018**

(54) **DISPOSABLE HEEL BLOOD COLLECTING DEVICE**

(71) Applicant: **STERILANCE MEDICAL (SUZHOU) INC.**, Suzhou, Jiangsu (CN)

(72) Inventor: **Guoping Shi**, Jiangsu (CN)

(73) Assignee: **STERILANCE MEDICAL (SUZHOU) INC.**, Suzhou, Jiangsu (CN)

(\*\*) Term: **15 Years**

(21) Appl. No.: **29/574,887**

(22) Filed: **Aug. 19, 2016**

(51) **LOC (11) Cl.** ..... **24-02**

(52) **U.S. Cl.**  
USPC ..... **D24/117**

(58) **Field of Classification Search**  
USPC .... D24/112, 133, 146, 147, 149; D8/83, 99, D8/91, 107  
CPC . A61B 5/15113; A61B 5/15111; A61B 5/151; A61B 5/15153; A61B 5/15161; A61B 5/15182; A61B 5/15186  
See application file for complete search history.

(56) **References Cited**

**U.S. PATENT DOCUMENTS**

5,643,306	A *	7/1997	Schraga	.....	A61B 5/15142
					606/182
D404,482	S *	1/1999	Falk	.....	D24/113
7,399,309	B2 *	7/2008	Pietrabissa	.....	A61B 17/2841
					433/159
D581,533	S *	11/2008	Ruf	.....	D24/146
D605,290	S *	12/2009	Ruf	.....	D24/146
7,837,633	B2 *	11/2010	Conway	.....	A61B 5/150022
					600/573
D648,852	S *	11/2011	Shi	.....	D24/146
D749,724	S *	2/2016	Shi	.....	D24/130

\* cited by examiner

*Primary Examiner* — Thomas Johannes  
*Assistant Examiner* — Samantha Q. Lawrence  
(74) *Attorney, Agent, or Firm* — Ladas & Parry LLP

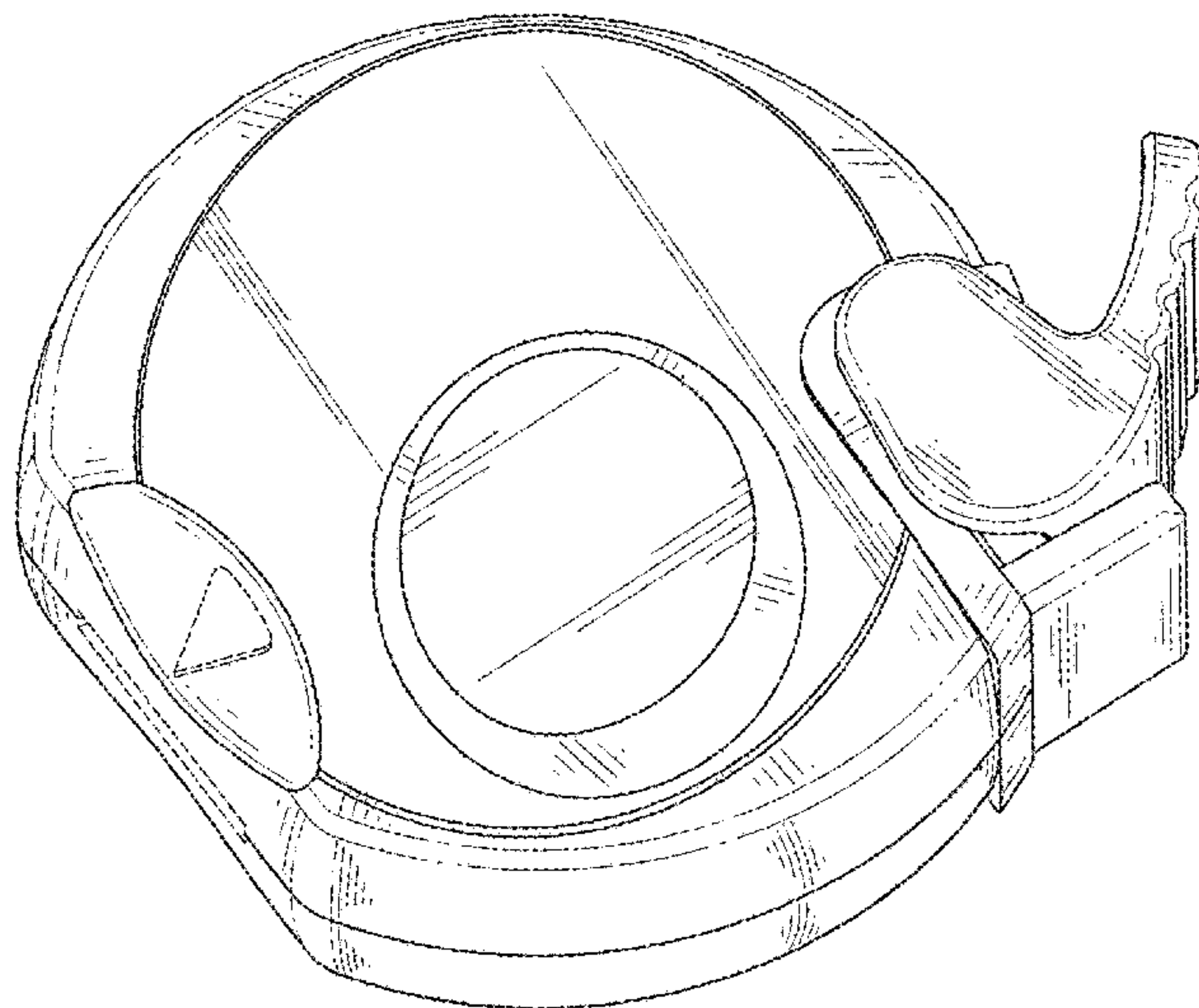
(57) **CLAIM**

The ornamental design for a disposable heel blood collecting device, as shown and described.

**DESCRIPTION**

FIG. 1 is a Perspective View of a disposable heel blood collecting device showing my new design; FIG. 2 is a Perspective View thereof; FIG. 3 is a Front View thereof; FIG. 4 is a Rear View thereof; FIG. 5 is a Left Side View thereof; FIG. 6 is a Right Side View thereof; FIG. 7 is a Top View thereof; FIG. 8 is a Bottom View thereof; FIG. 9 is an enlarged view of the portion of FIG. 5 encircled by a dot-dah line and labelled "9"; FIG. 10 is an enlarged view of the portion of FIG. 5 encircled by a dot-dah line and labelled "10"; FIG. 11 is an enlarged view of the portion of FIG. 6 encircled by a dot-dah line and labelled "11"; FIG. 12 is an enlarged view of the portion of FIG. 6 encircled by a dot-dah line and labelled "12"; and, FIG. 13 is an enlarged view of the portion of FIG. 7 encircled by a dot-dah line and labelled "13".  
The dot-dash broken lines encircling portions of the views shown in FIGS. 5, 6, and 7 indicate portions of the design shown in the enlarged views of FIGS. 9, 10, 11, 12 and 13. The dot-dash broken lines form no part of the claimed design.  
The broken lines shown in FIGS. 1-4 and 8-13 illustrate portions of the disposable heel blood collecting device that form no part of the claimed design.

**1 Claim, 13 Drawing Sheets**



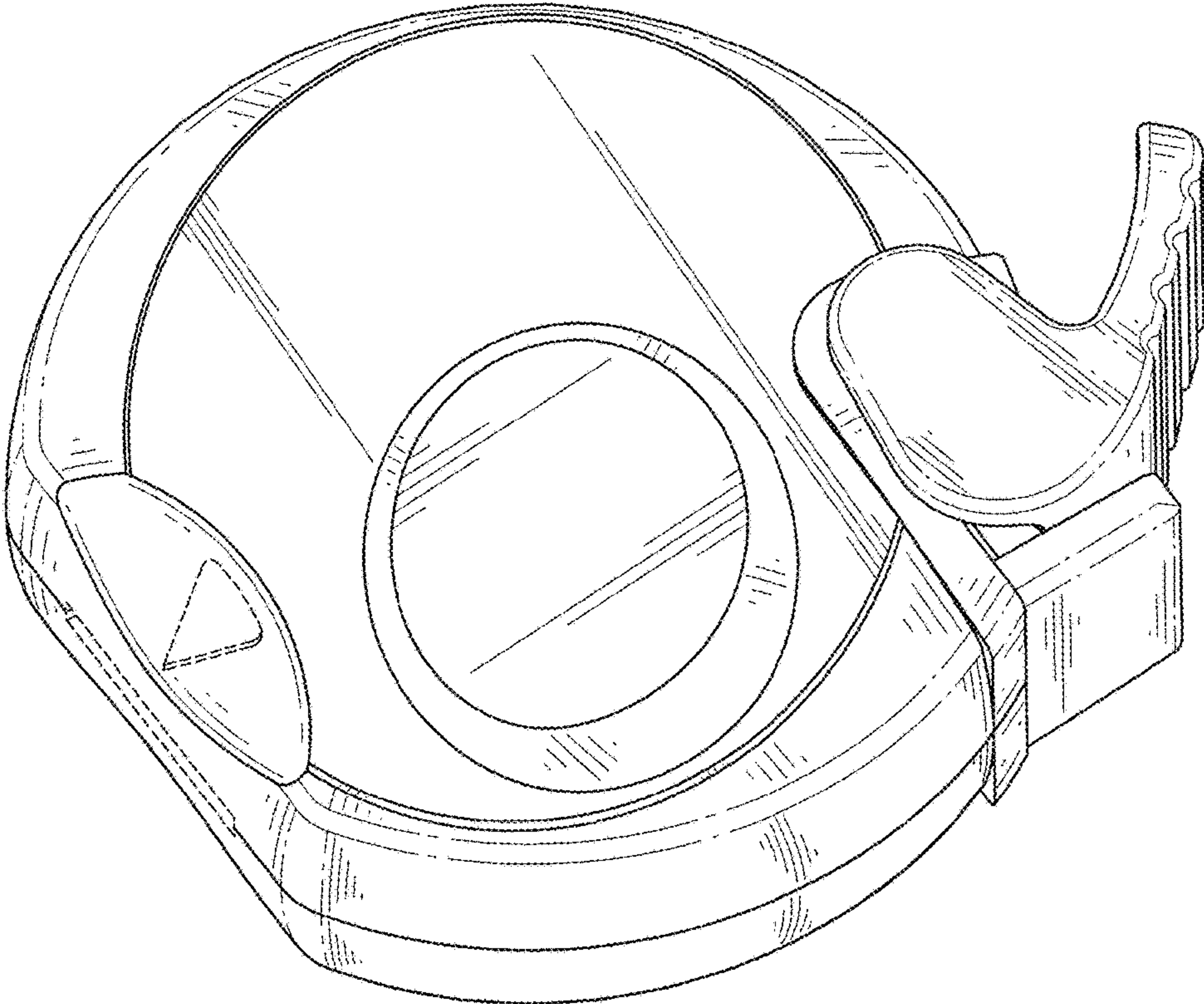


FIG. 1

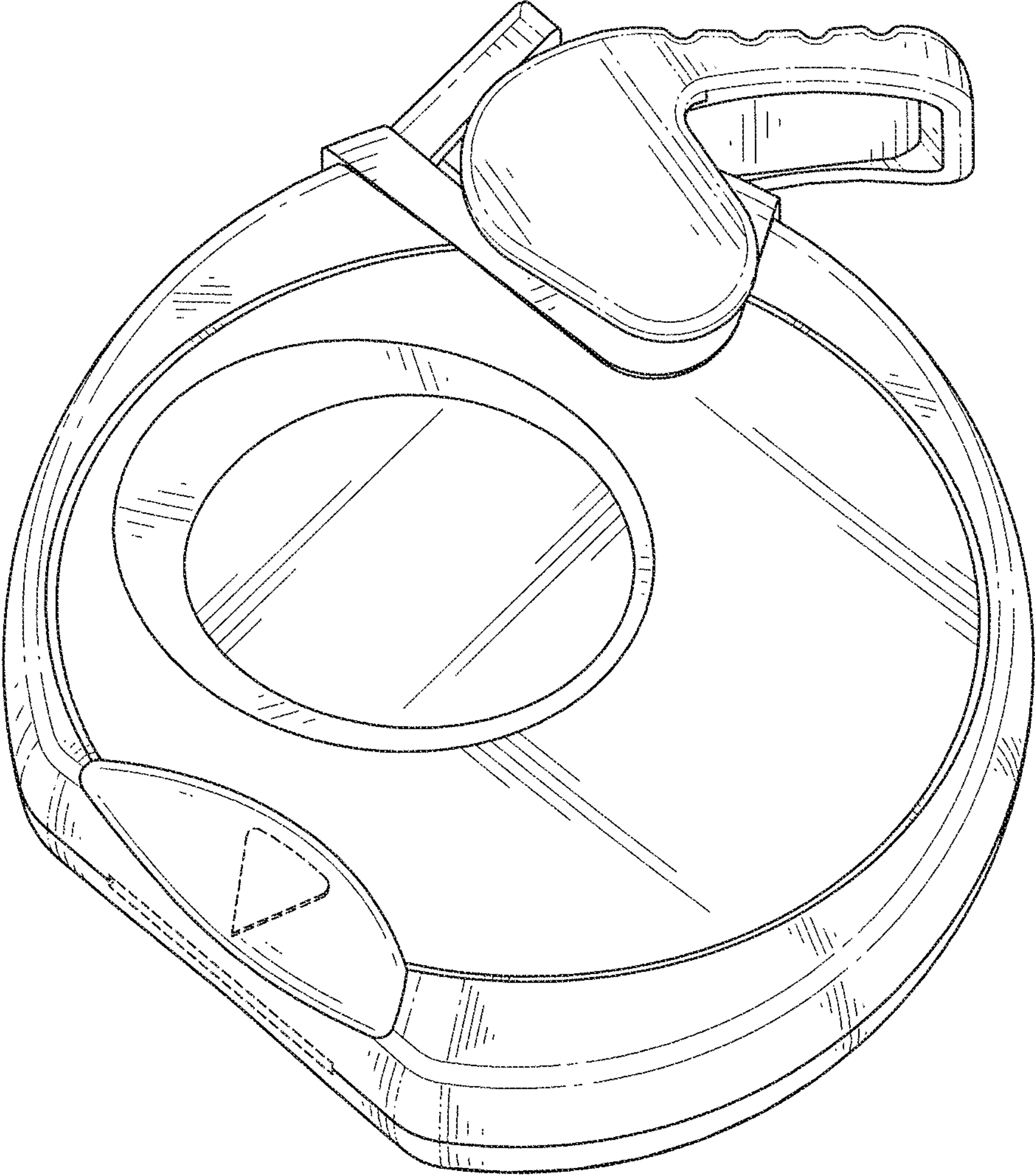


FIG. 2



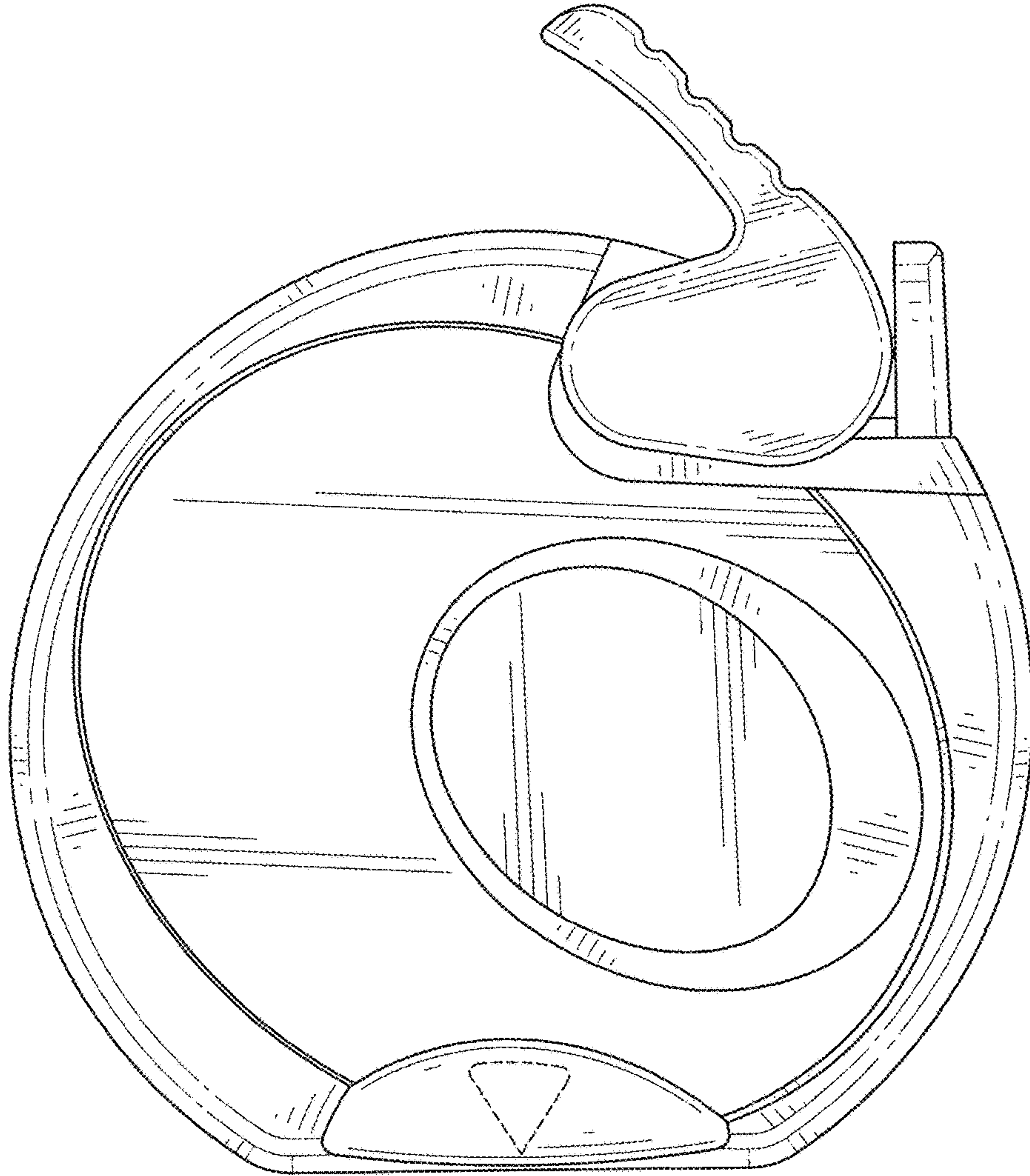


FIG. 3

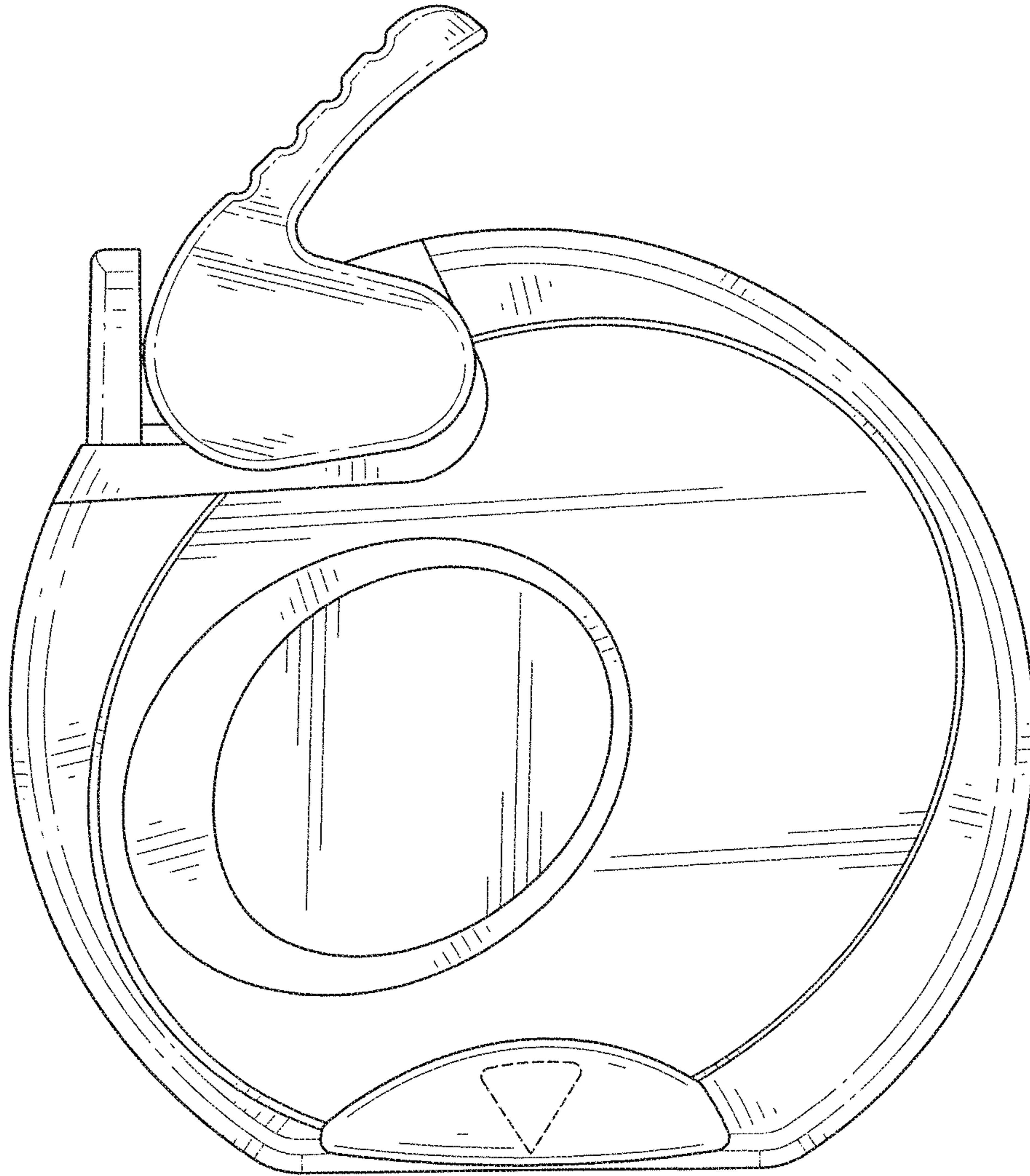


FIG. 4

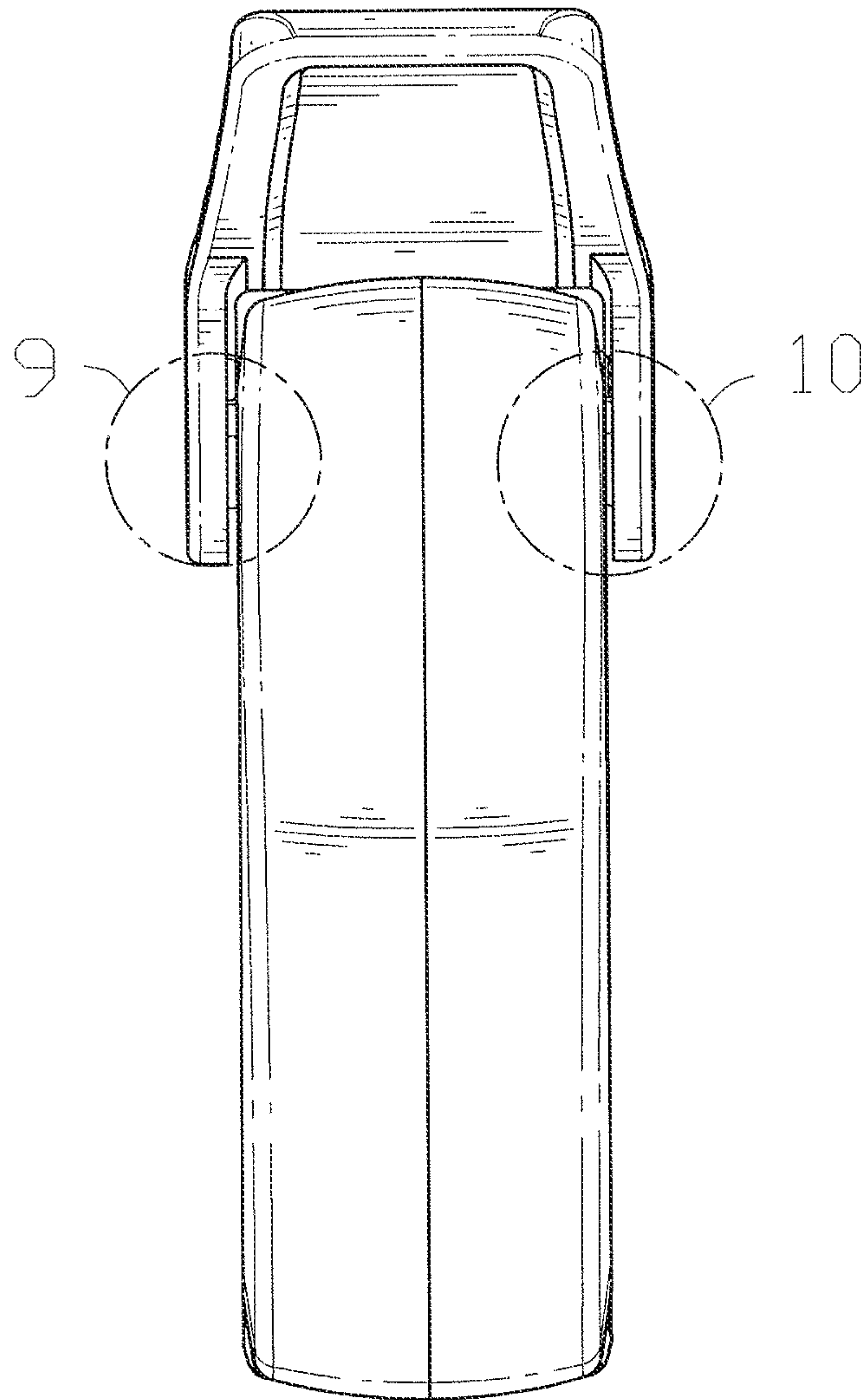


FIG. 5

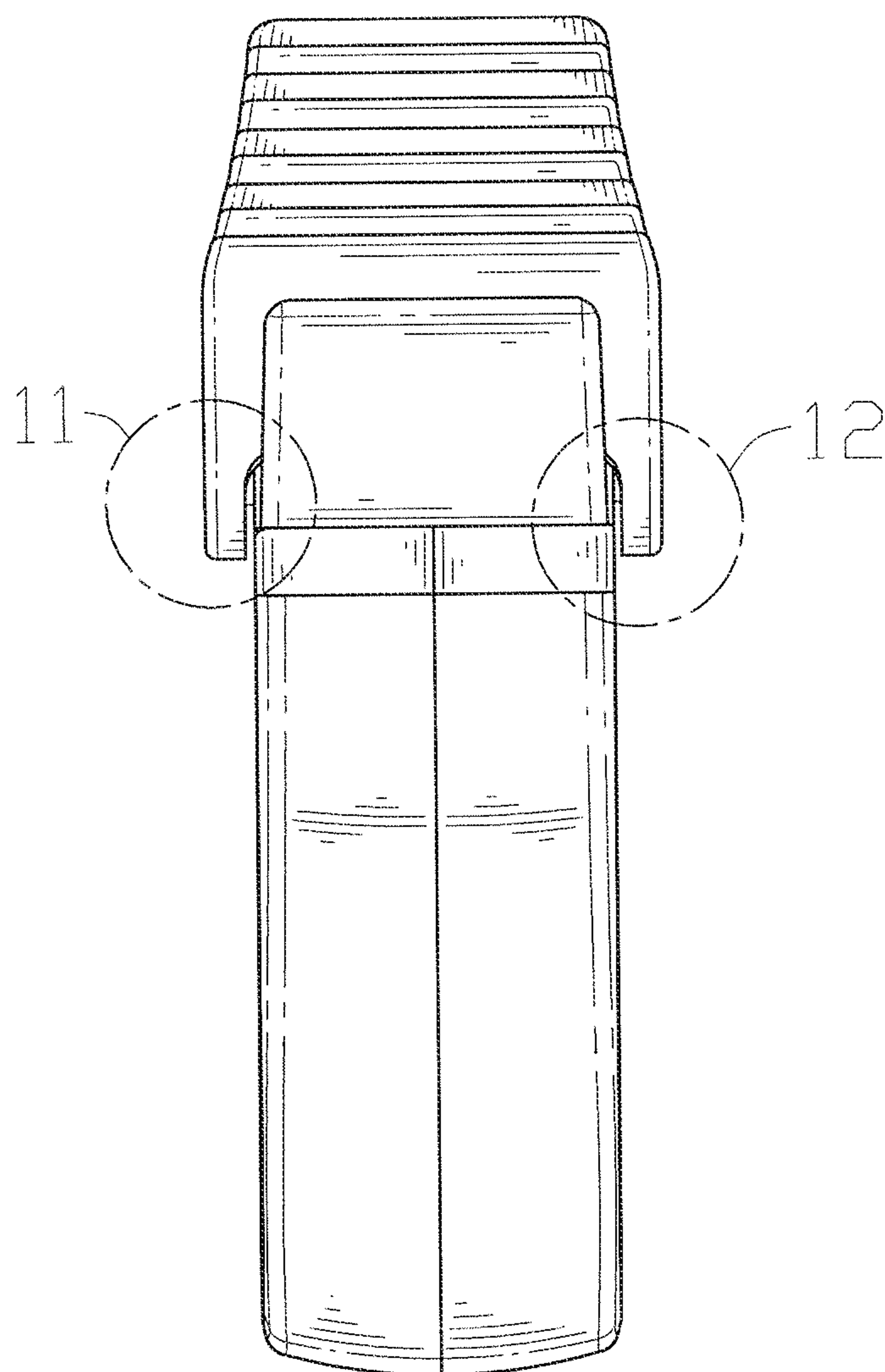


FIG. 6

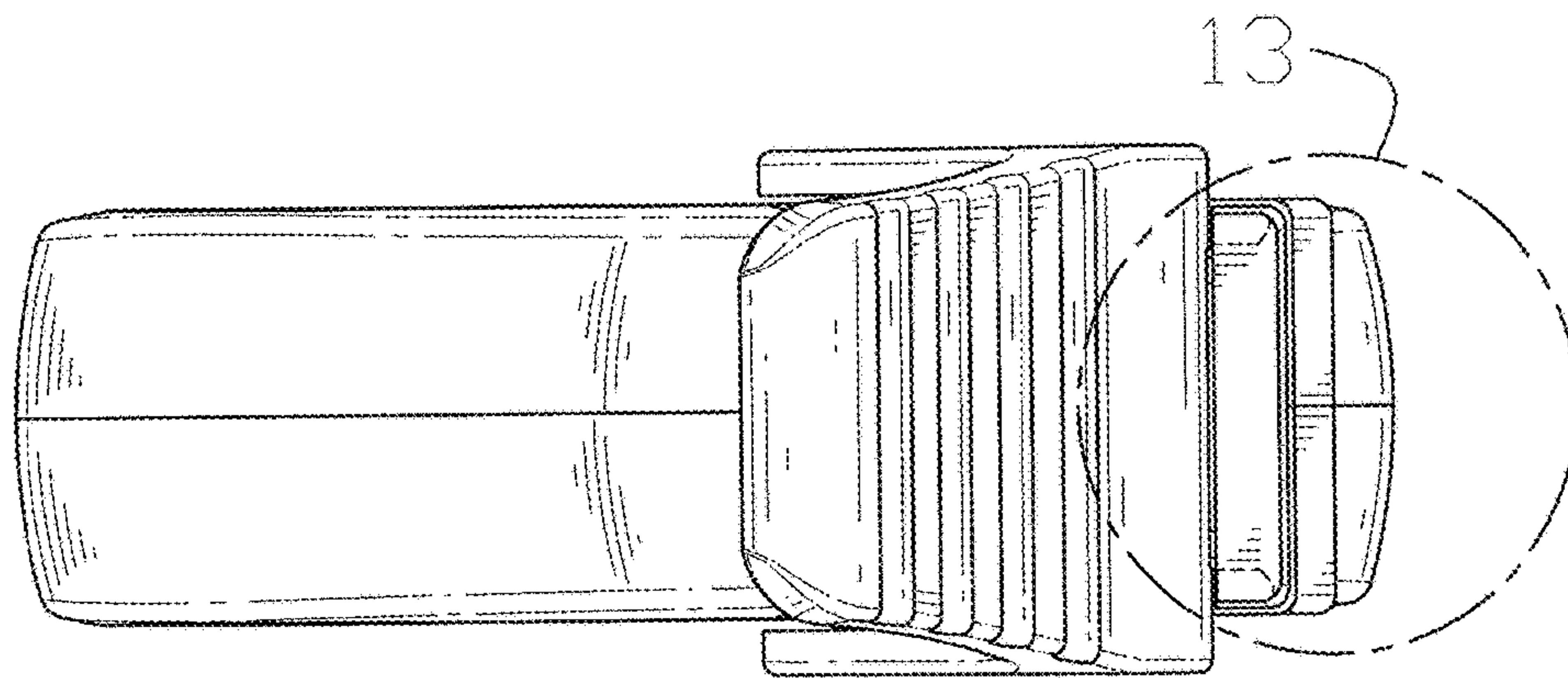


FIG. 7



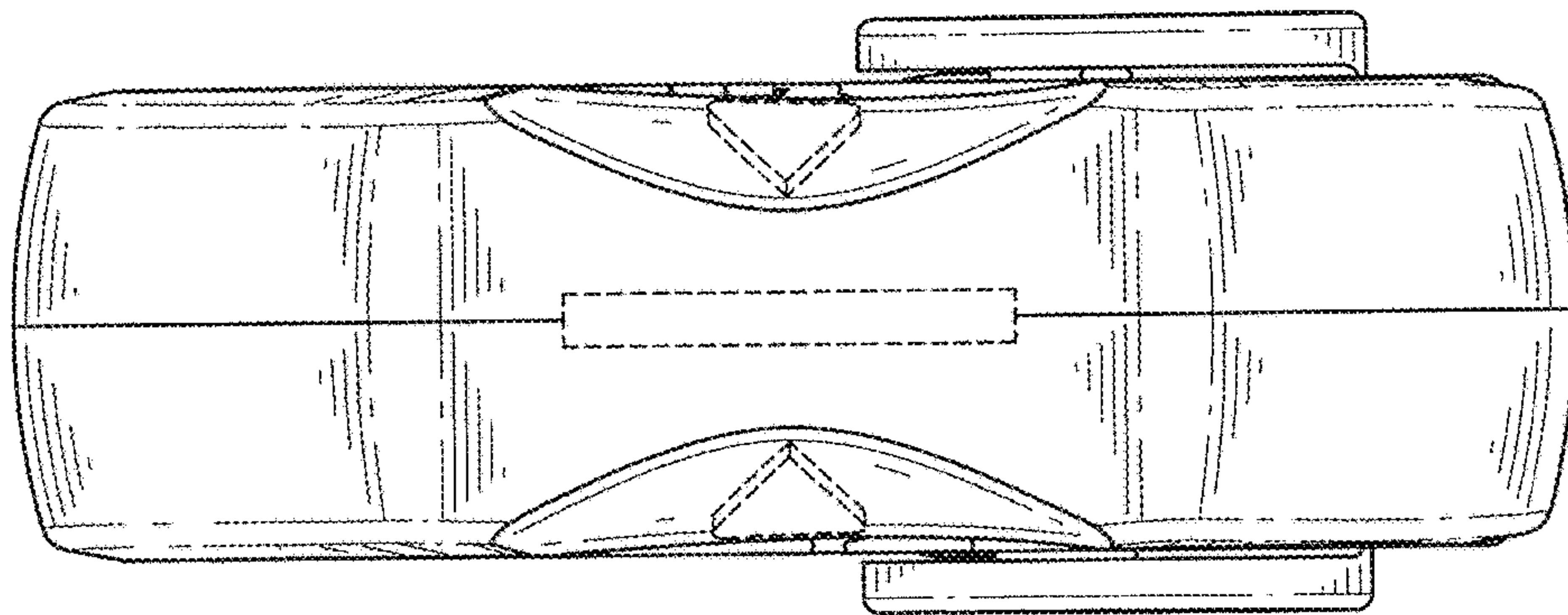


FIG. 8

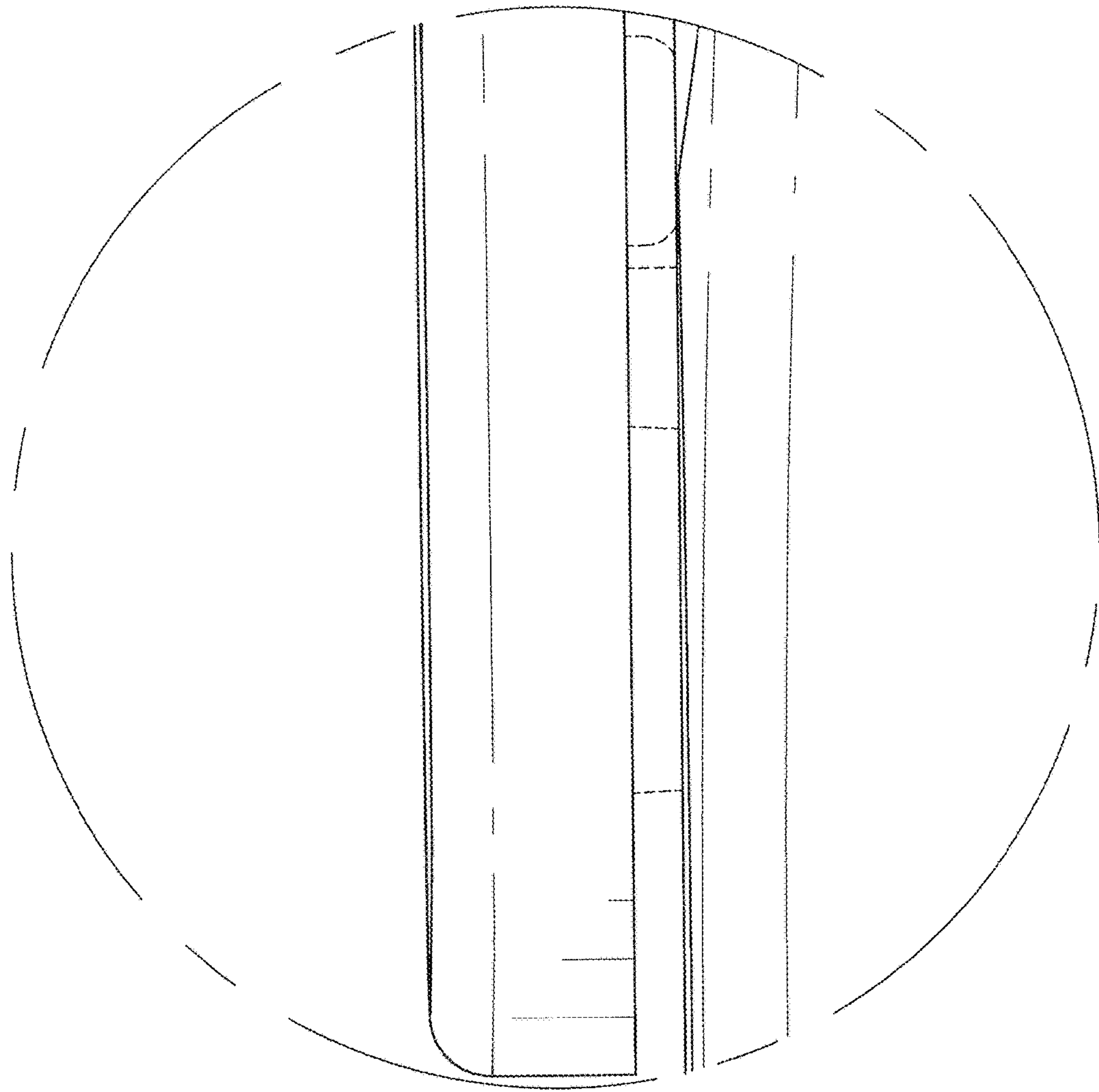


FIG. 9

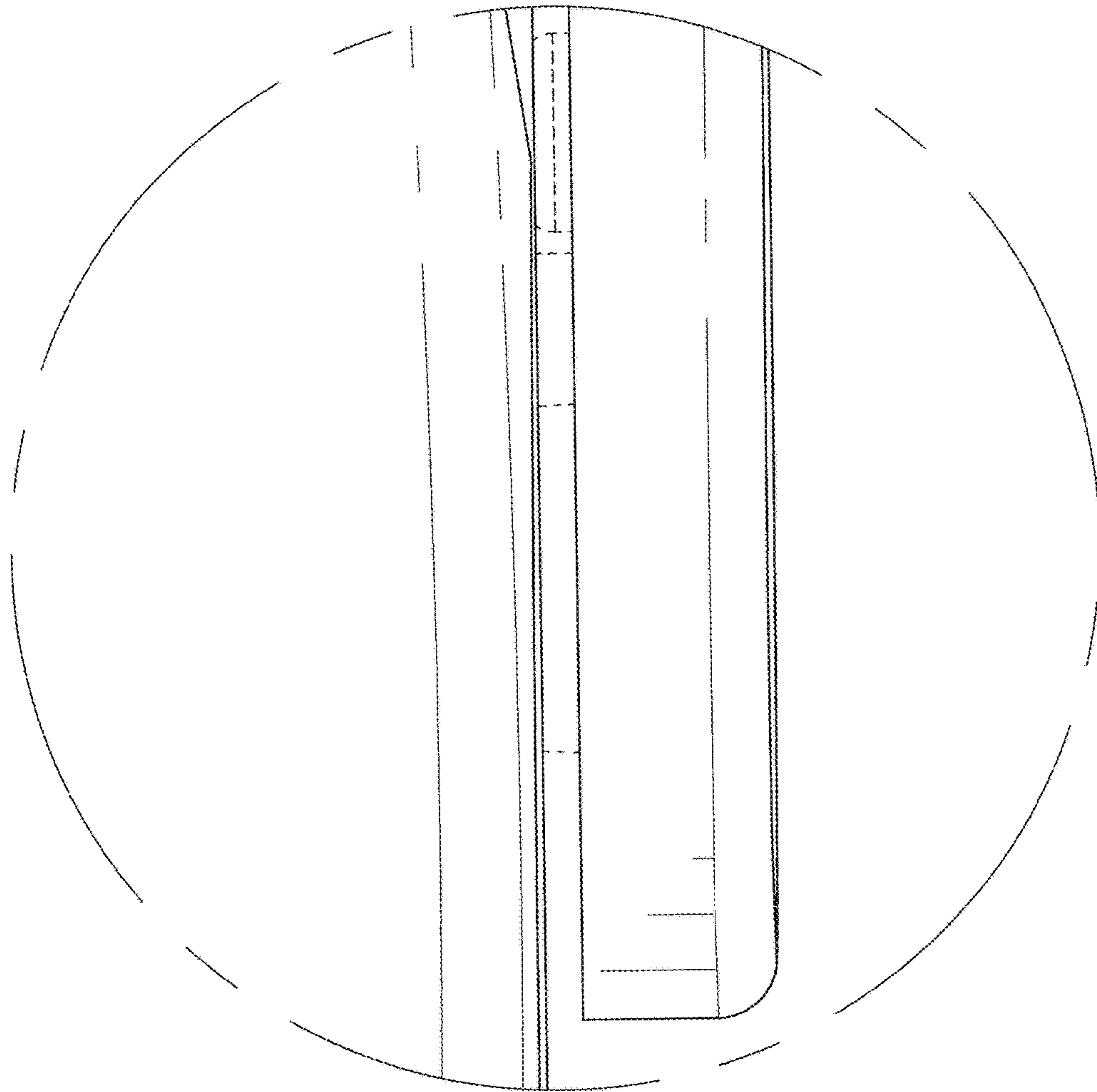


FIG. 10

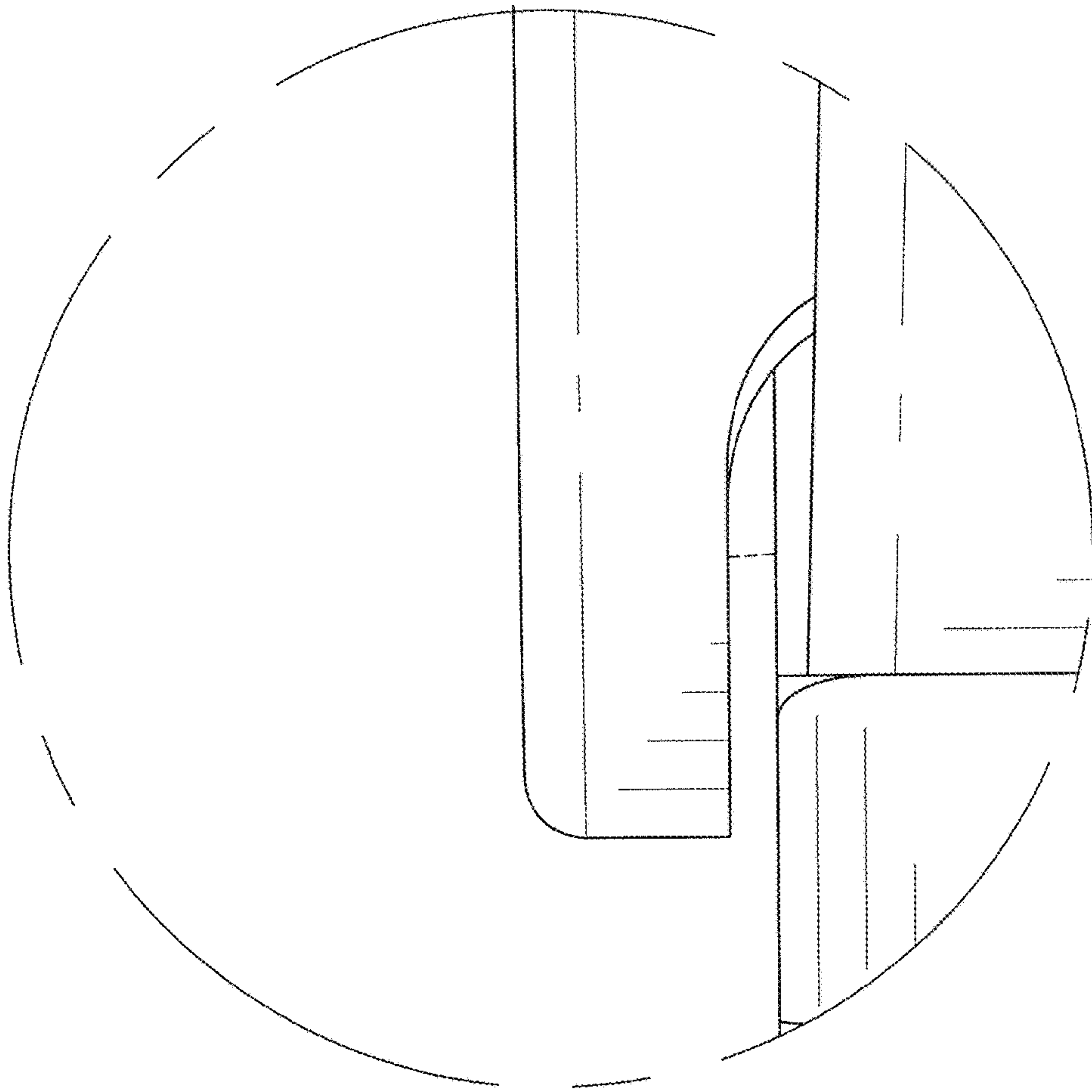


FIG. 11



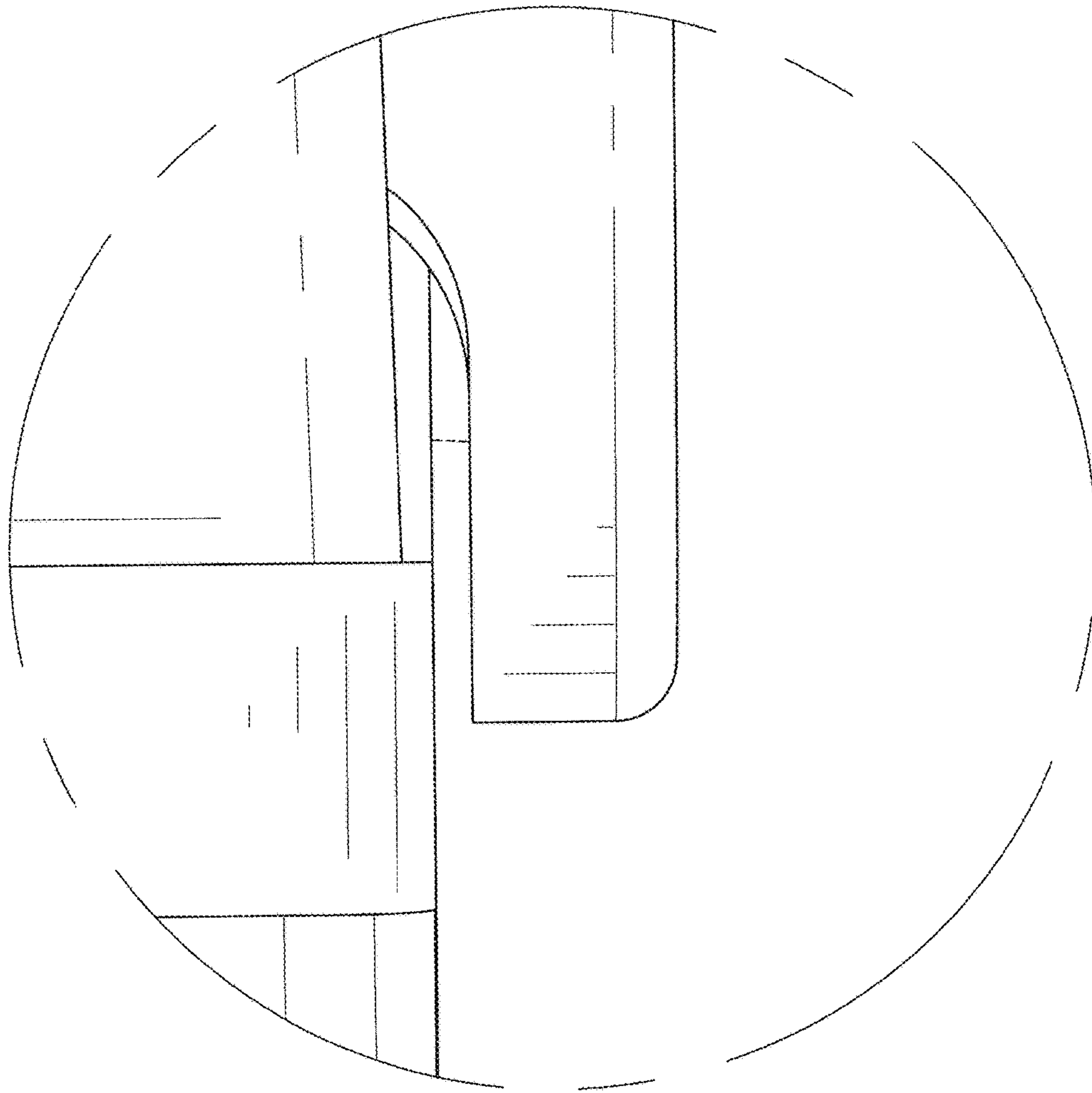


FIG. 12

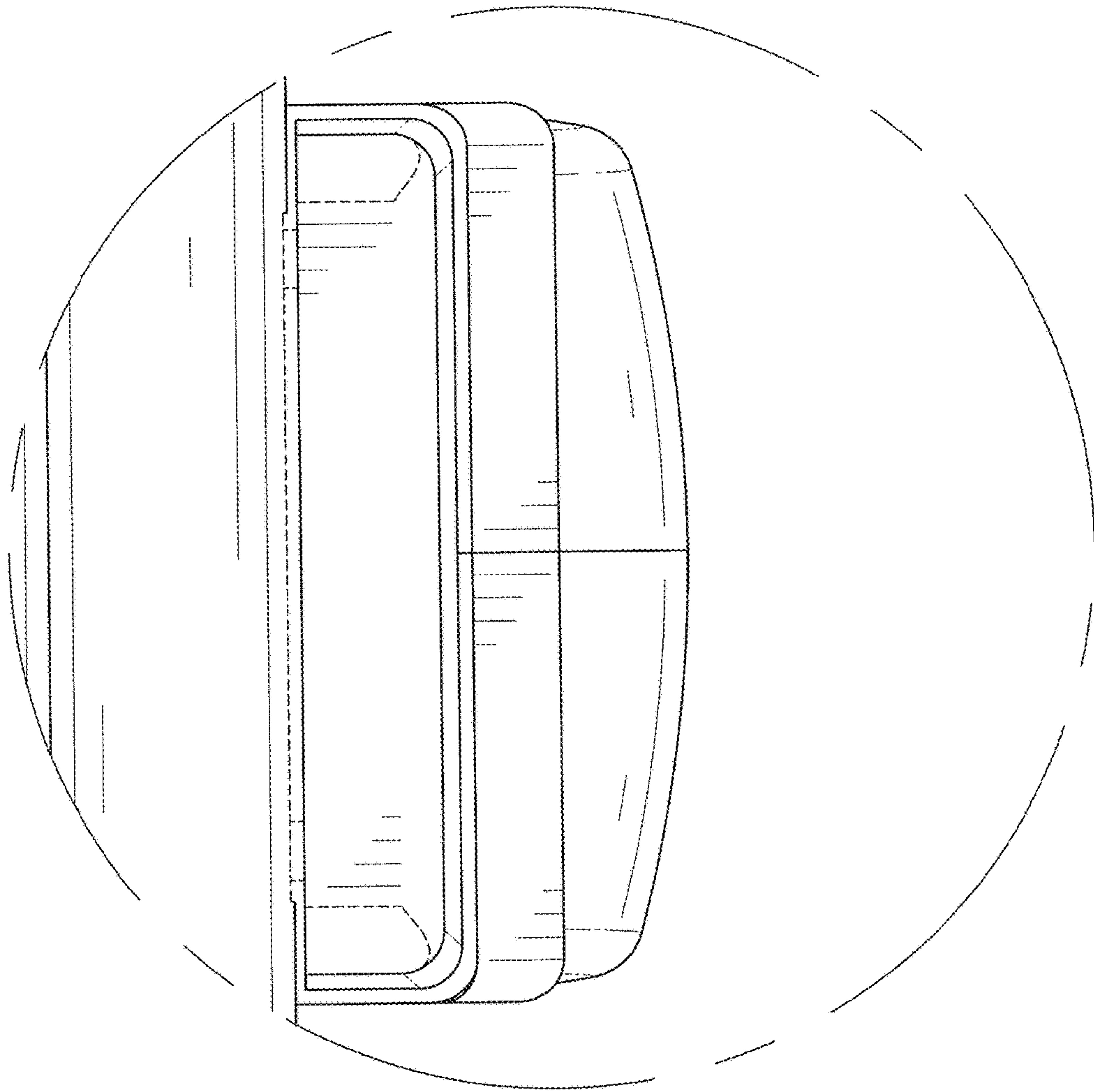


FIG. 13