



US00D806862S

(12) **United States Design Patent**
Semmann

(10) **Patent No.:** **US D806,862 S**
(45) **Date of Patent:** **** Jan. 2, 2018**

- (54) **SAFETY I.V. CATHETER**
- (71) Applicant: **MedSource International LLC**,
Chaska, MN (US)
- (72) Inventor: **Clint Semmann**, Dodge Center, MN
(US)
- (73) Assignee: **MEDSOURCE INTERNATIONAL
LLC**, Chaska, MN (US)

5,053,014 A	10/1991	Van Heugten
5,078,694 A	1/1992	Wallace
5,092,845 A	3/1992	Chang
5,120,319 A	6/1992	Van Heugten
5,195,974 A	3/1993	Hardy
5,195,992 A	3/1993	Dudar et al.
5,562,631 A	10/1996	Bogert
D376,645 S *	12/1996	Lindgren D24/112
5,601,535 A	2/1997	Byrne et al.
5,688,249 A	11/1997	Chang et al.
5,702,367 A	12/1997	Cover et al.
5,810,785 A	9/1998	Bogert et al.

(**) Term: **15 Years**

- (21) Appl. No.: **29/567,084**
- (22) Filed: **Jun. 6, 2016**
- (51) **LOC (11) Cl.** **24-02**
- (52) **U.S. Cl.**
USPC **D24/112**
- (58) **Field of Classification Search**
USPC D24/112-114, 133, 186, 104, 127, 130;
606/181, 185; 604/264, 272, 115, 232,
604/187, 158, 164.08, 192, 263, 163, 181,
604/184, 198, 227
CPC A61J 1/2096; A61J 1/201; A61M 5/2448
See application file for complete search history.

FOREIGN PATENT DOCUMENTS

WO	9308865	5/1993
WO	9413341	6/1994

OTHER PUBLICATIONS

Decision on Appeal for reexamination of U.S. Pat. No. 5,562,631,
dated Sep. 28, 2010 (27 pages).

Primary Examiner — David G Muller
Assistant Examiner — Nathan M Johnston
(74) *Attorney, Agent, or Firm* — Dorsey & Whitney LLP

(56) **References Cited**

U.S. PATENT DOCUMENTS

4,022,191 A	5/1977	Jamshidi
4,846,805 A	7/1989	Sitar
4,878,902 A	11/1989	Wanderer
4,887,998 A	12/1989	Martin et al.
4,897,083 A	1/1990	Martell
4,929,241 A	5/1990	Kulli
4,932,940 A	6/1990	Walker et al.
4,944,728 A	7/1990	Carrell et al.
4,952,207 A	8/1990	Lemieux
5,000,740 A	3/1991	Ducharme et al.
5,002,536 A	3/1991	Thompson et al.
5,013,304 A	5/1991	Russell et al.
5,030,205 A	7/1991	Holdaway et al.

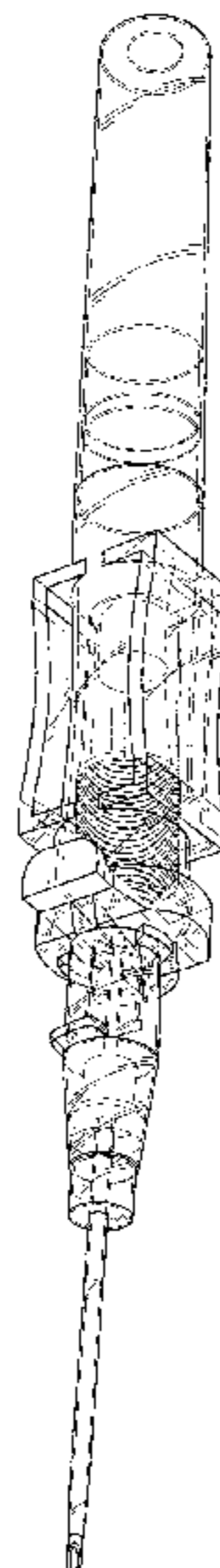
(57) **CLAIM**

The ornamental design for a safety I.V. catheter, as shown
and described.

DESCRIPTION

FIG. 1 is a perspective view of the safety I.V. catheter
showing my new design.
FIG. 2 is a top plan view thereof.
FIG. 3 is a bottom plan view thereof.
FIG. 4 is a right side plan view thereof.
FIG. 5 is left side plan view thereof.
FIG. 6 is a rear plan view thereof; and,
FIG. 7 is a front plan view thereof.

1 Claim, 4 Drawing Sheets



US D806,862 S

Page 2

(56)

References Cited

U.S. PATENT DOCUMENTS

5,865,798 A *	2/1999	Grimard	A61M 5/31596 604/218	2003/0060760 A1	3/2003	Botich et al.
6,050,976 A	4/2000	Thorne et al.		2003/0060771 A1*	3/2003	Bialecki
6,077,244 A	6/2000	Botich et al.		2003/0105431 A1*	6/2003	Howell
6,287,317 B1	9/2001	Makower et al.		2004/0243061 A1*	12/2004	McGurk
6,379,337 B1	4/2002	Mohammad		2006/0036219 A1	2/2006	Alvin
D460,179 S *	7/2002	Isoda	D24/114	2006/0189942 A1*	8/2006	Chang
6,491,707 B2	12/2002	Makower et al.		2008/0097330 A1	4/2008	King et al.
6,749,588 B1*	6/2004	Howell	A61M 5/3273 604/110	2009/0326485 A1*	12/2009	Carlyon
6,872,193 B2	3/2005	Shaw et al.		2011/0015573 A1	1/2011	Maan et al.
7,255,685 B2	8/2007	Pressly, Sr. et al.		2011/0306933 A1	12/2011	Djordjevic et al.
7,344,516 B2	3/2008	Erskine		2011/0319825 A1	12/2011	Goral et al.
7,678,080 B2	3/2010	Shue et al.		2014/0052022 A1	2/2014	Tan et al.
7,699,807 B2	4/2010	Faust et al.		2014/0336582 A1	11/2014	Tisci
7,736,342 B2	6/2010	Abriles et al.		2014/0371715 A1	12/2014	Farrell et al.
7,753,887 B2	7/2010	Botich et al.		2015/0094751 A1	4/2015	Chen et al.
D655,406 S *	3/2012	Ma	D24/112	2015/0224267 A1	8/2015	Farrell et al.
8,172,805 B2	5/2012	Mogensen et al.				
8,282,605 B2	10/2012	Tan et al.				
8,308,685 B2	11/2012	Botich et al.				
8,603,009 B2	12/2013	Tan et al.				
8,795,198 B2	8/2014	Tan et al.				
8,814,833 B2	8/2014	Farrell et al.				

* cited by examiner

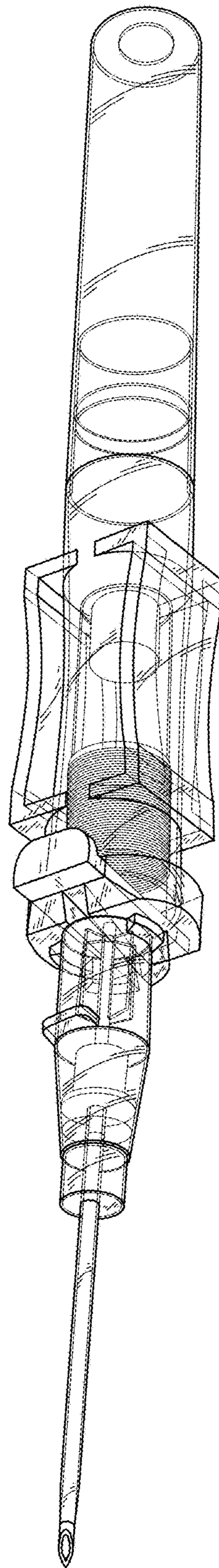


FIG. 1

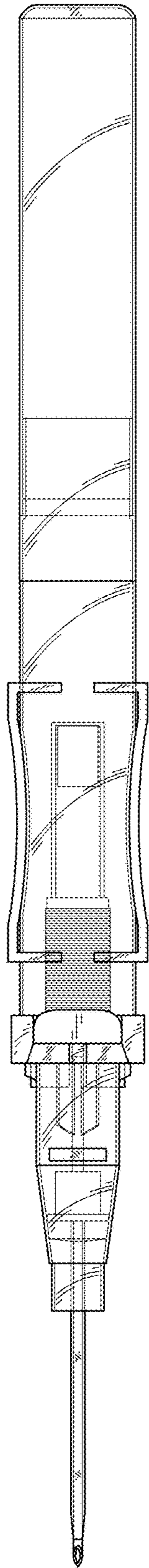


FIG. 2

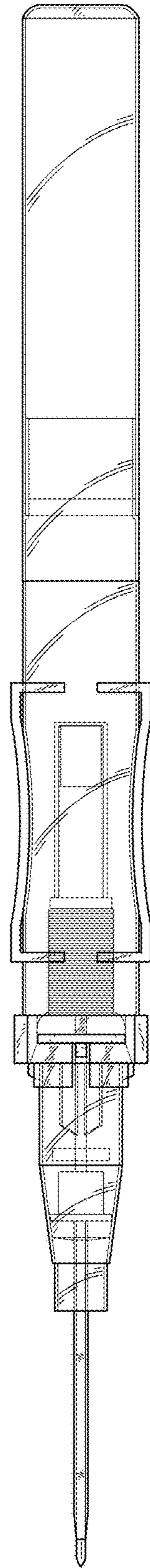


FIG. 3

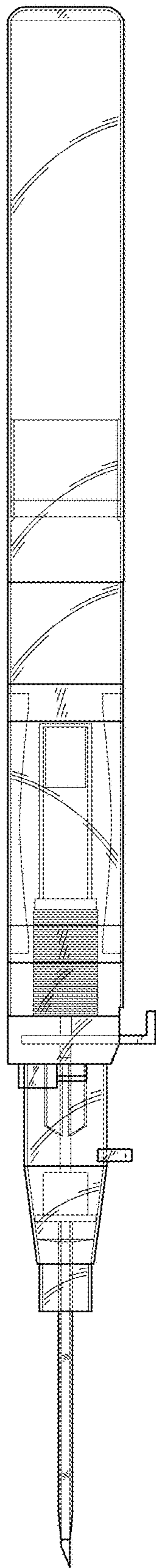


FIG. 4

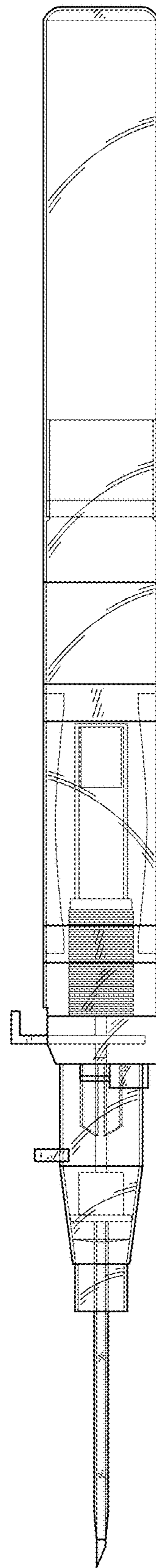


FIG. 5

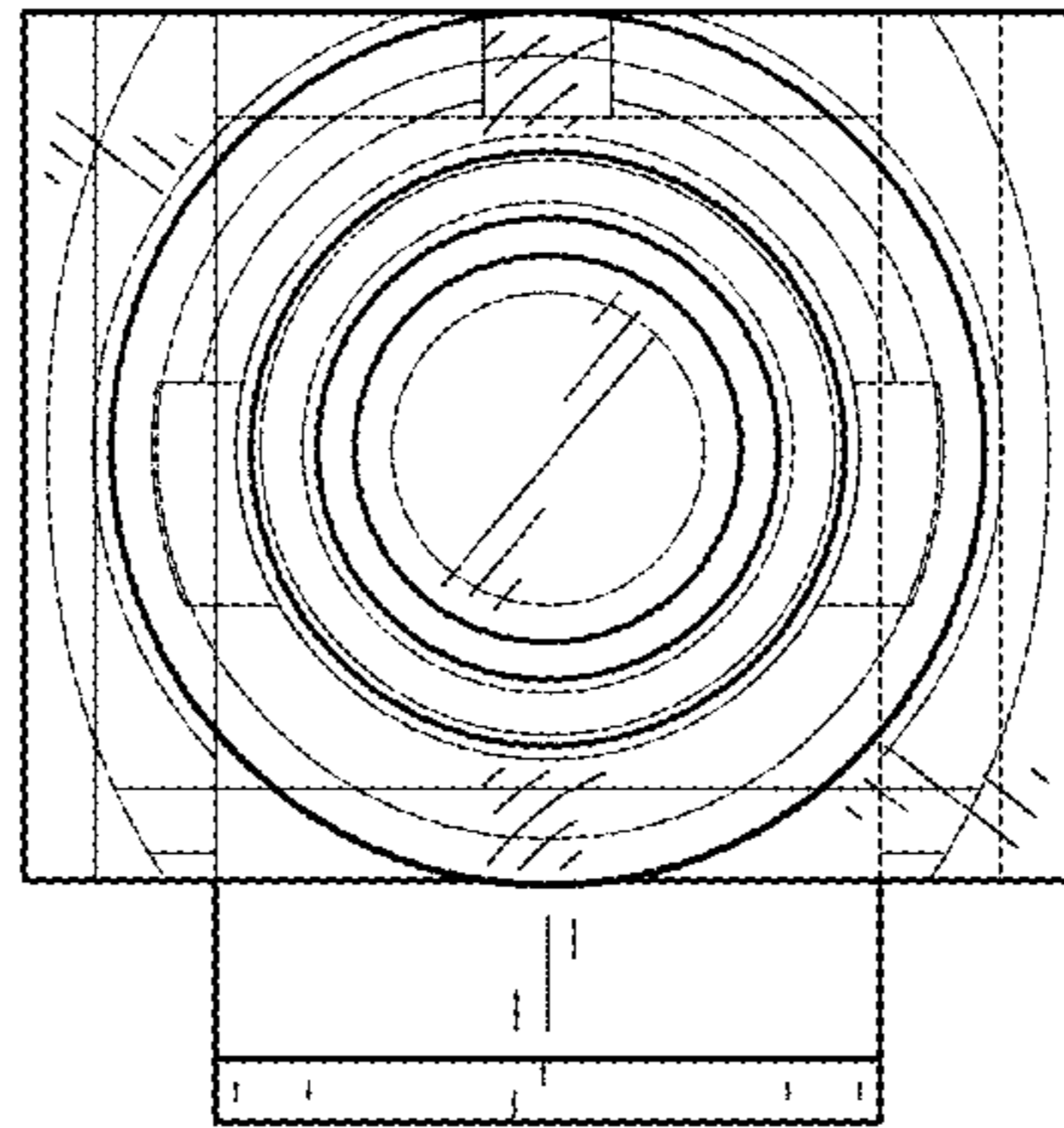


FIG. 6

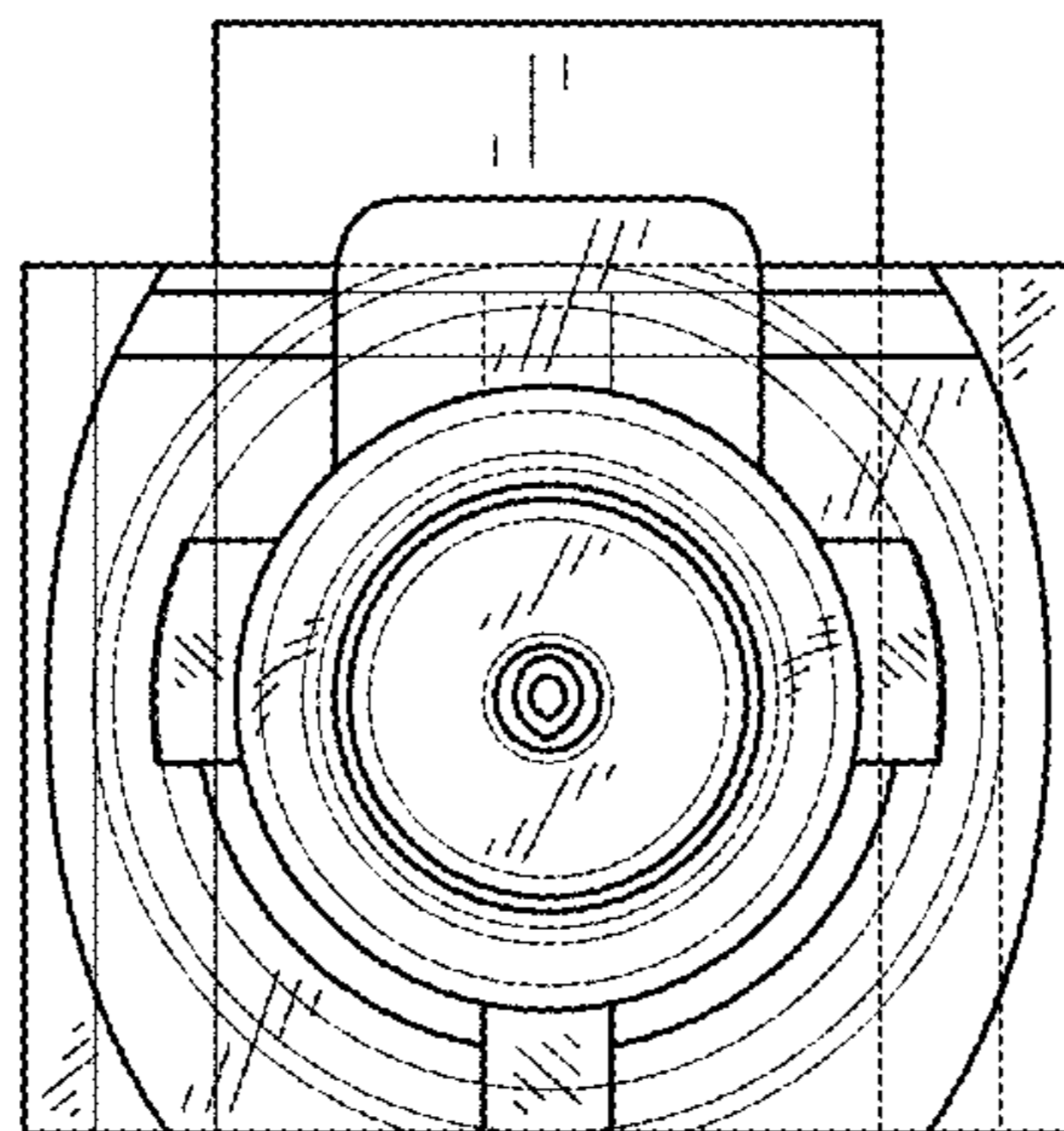


FIG. 7